



US00D417911S

United States Patent [19]

Jane' et al.

[11] Patent Number: **Des. 417,911**

[45] Date of Patent: **** Dec. 21, 1999**

[54] AIR CLEANER

5,421,844 6/1995 Chiu 55/274
5,433,762 7/1995 Chiu 55/274

[75] Inventors: **Rodney Jane'**, Westboro; **Andrew Parker**, Framingham, both of Mass.; **Brian Graves**, Chicago, Ill.; **W. Daniel Haberstich**, Rocky Hill, Conn.; **Richard O'Grady**, Southington, Conn.; **Scott Johnstone**, Pleasant Valley, Conn.; **Stephen Gatchell**, Warwick, R.I.

FOREIGN PATENT DOCUMENTS

2053608 8/1995 United Kingdom .

Primary Examiner—Lisa Lichtenstein
Attorney, Agent, or Firm—Loletta L. Darden

[73] Assignee: **Honeywell Consumer Products, Inc.**, Southborough, Mass.

[57] CLAIM

The ornamental design for an air cleaner, as shown and described.

[**] Term: **14 Years**

DESCRIPTION

[21] Appl. No.: **29/049,055**

FIG. 1 shows a front, top and right side perspective view of an air cleaner incorporating our new design.

[22] Filed: **Jan. 16, 1996**

FIG. 2 shows a front elevational view of the air cleaner shown in FIG. 1.

[51] LOC (6) Cl. **23-04**

FIG. 3 shows a rear elevational view of the air cleaner shown in FIG. 1.

[52] U.S. Cl. **D23/364**

FIG. 4 shows a left side elevational view of the air cleaner shown in FIG. 1, the right side elevational view being a mirror image of the left side elevational view.

[58] Field of Search D23/364, 365;
55/356, 471, 472; 422/122

FIG. 5 shows a top plan view of the air cleaner shown in FIG. 1; and,

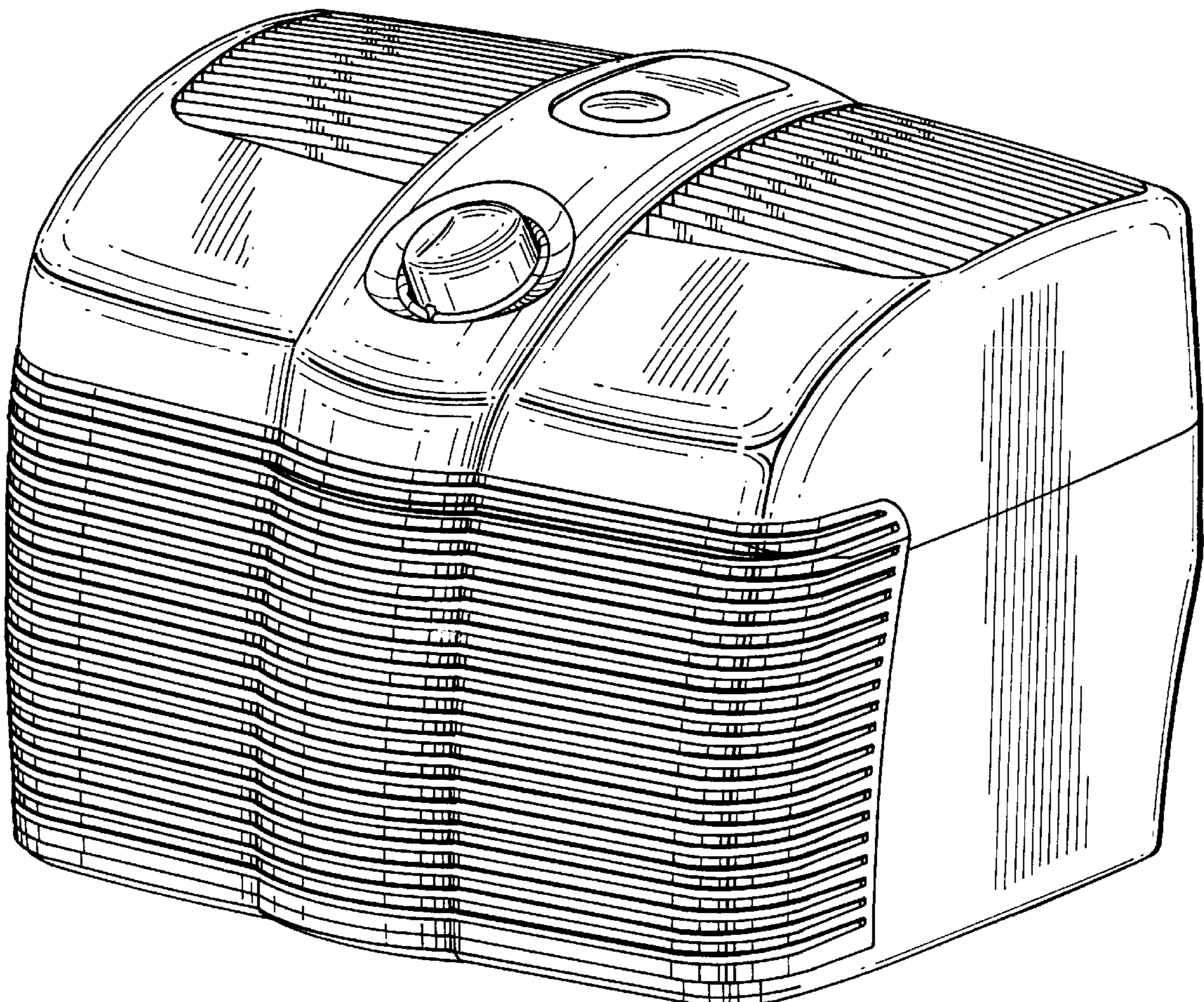
[56] References Cited

U.S. PATENT DOCUMENTS

D. 320,441 10/1991 Muller D23/364
D. 349,566 8/1994 O'Grady D23/364
D. 361,373 8/1995 Muller D23/364

FIG. 6 shows a bottom plan view of the air cleaner shown in FIG. 1.

1 Claim, 6 Drawing Sheets



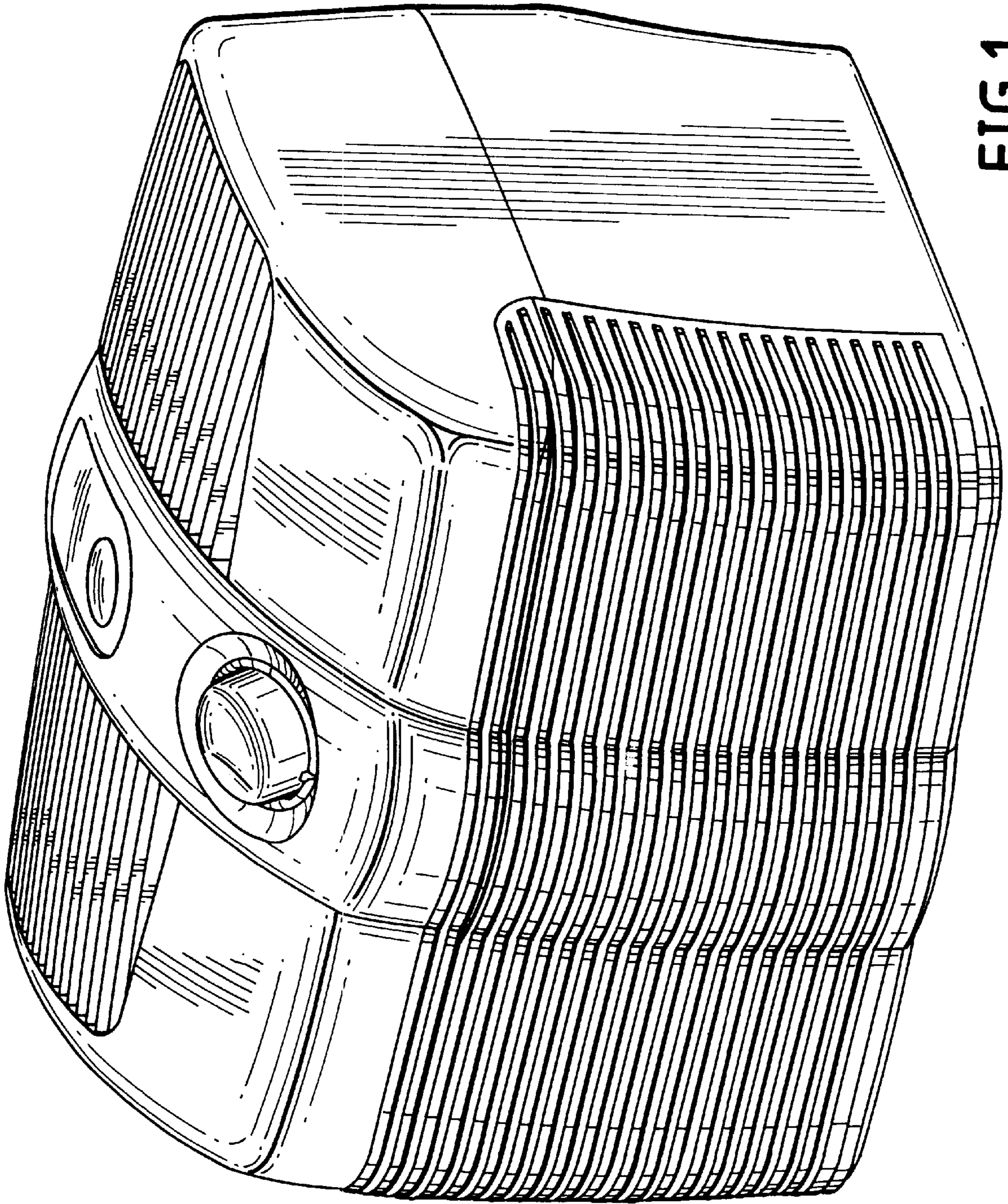


FIG.1

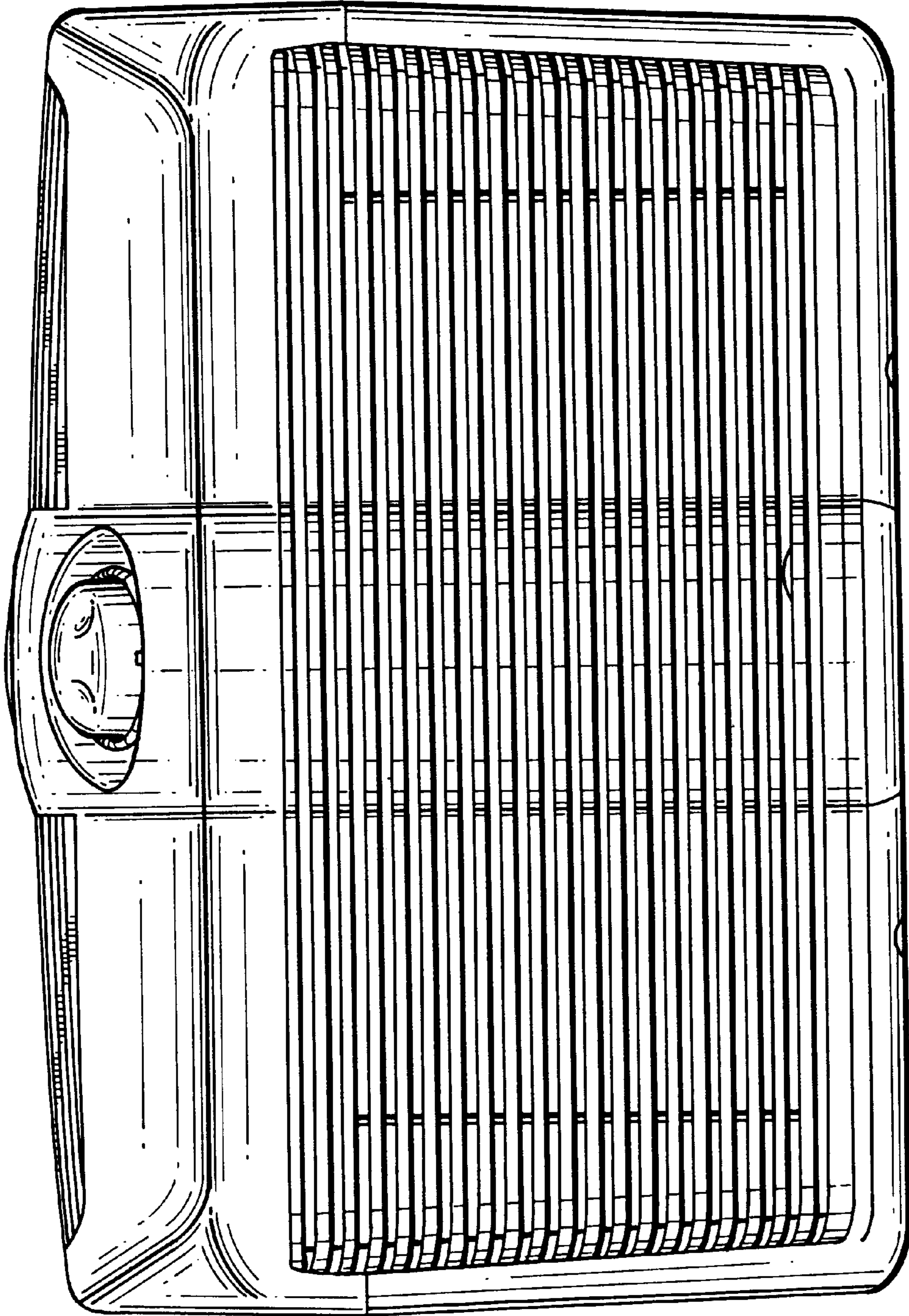


FIG. 2

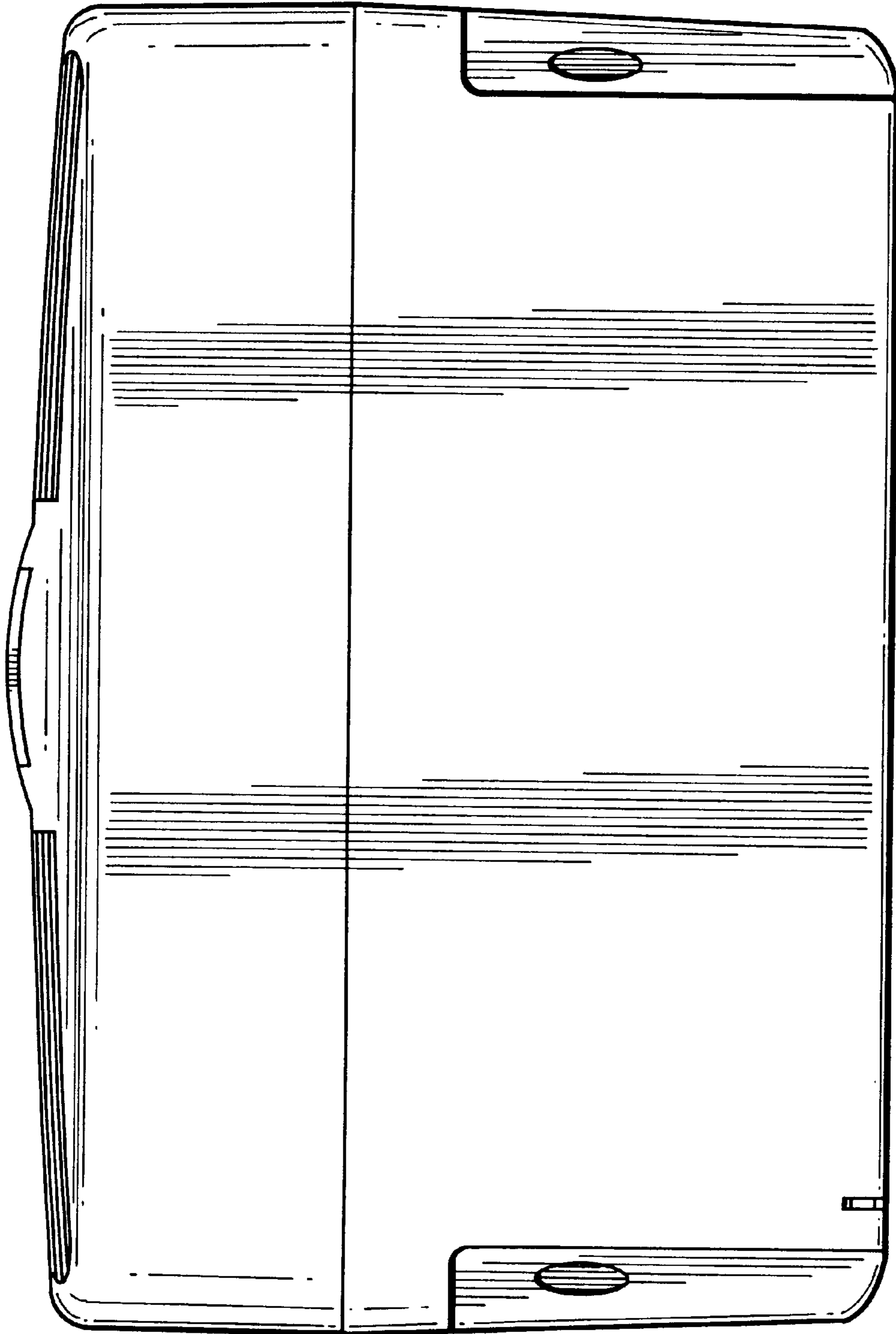


FIG. 3

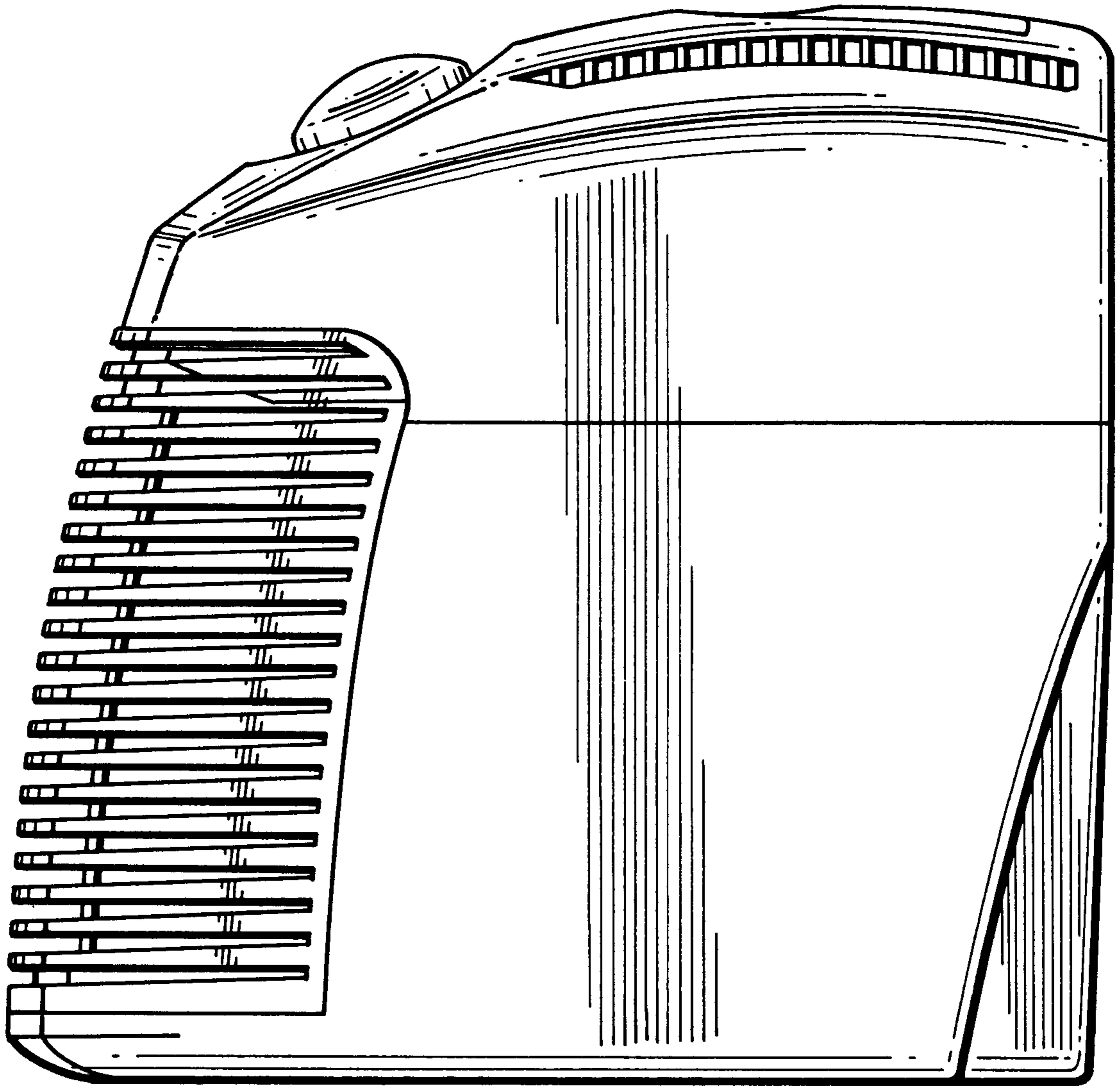


FIG. 4

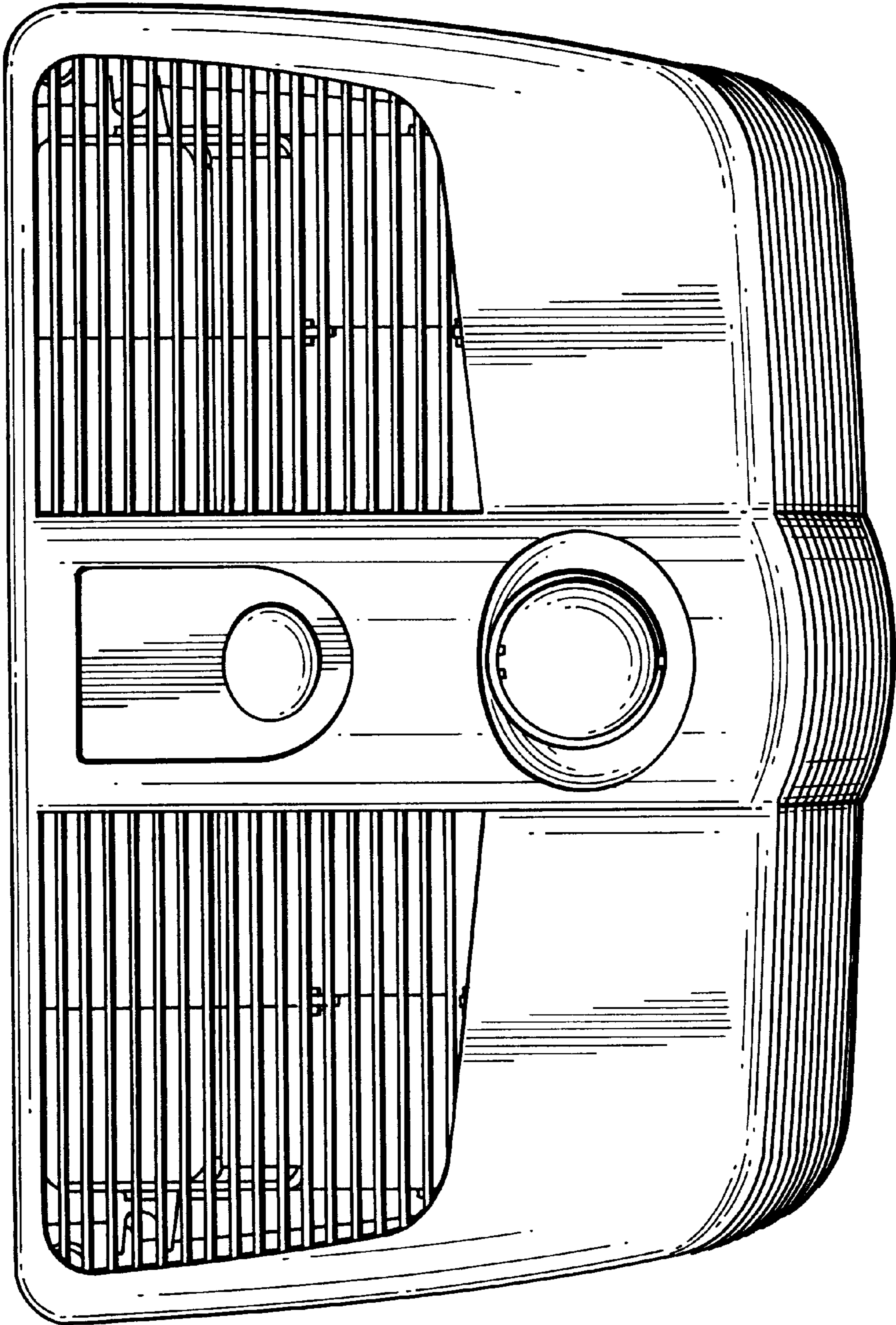


FIG. 5

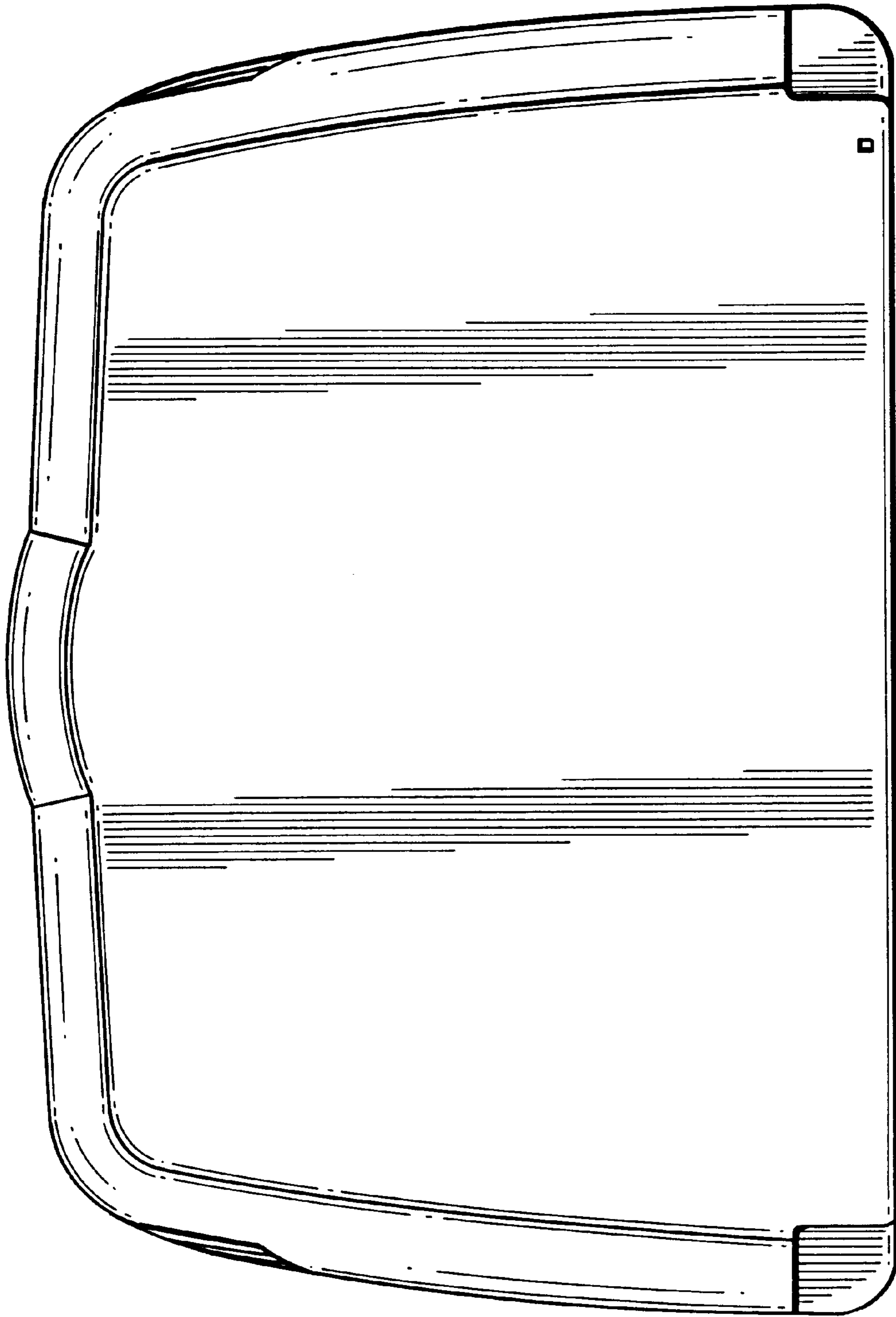


FIG. 6