



US00D417909S

United States Patent [19]
Warshawsky

[11] **Patent Number: Des. 417,909**

[45] **Date of Patent: ** Dec. 21, 1999**

[54] **SHOWER BAR**

D. 398,384 9/1998 Bonnell et al. D23/304
D. 407,806 4/1999 Dimitriadis et al. D23/304

[75] Inventor: **Jerome Warshawsky**, Hewlett Harbor, N.Y.

Primary Examiner—Eric Watterson
Attorney, Agent, or Firm—Alfred M. Walker

[73] Assignee: **IW Industries Inc.**, Melville, N.Y.

[57] **CLAIM**

[**] Term: **14 Years**

The ornamental design for a shower bar, as shown and described.

[21] Appl. No.: **29/103,535**

DESCRIPTION

[22] Filed: **Apr. 15, 1999**

FIG. 1 is a perspective view of a shower bar, showing my new design;

[51] **LOC (6) Cl.** **23-02**

[52] **U.S. Cl.** **D23/304**

FIG. 2 is a top plan view thereof, the bottom view being a mirror image thereof;

[58] **Field of Search** D23/303-310;
D6/525, 574; 4/580, 584, 596, 612, DIG. 9;
264/46.4; 604/150

FIG. 3 is a front elevational view thereof;

FIG. 4 is a right side elevational view thereof, the left side being a mirror image thereof; and,

FIG. 5 is a rear elevational view thereof.

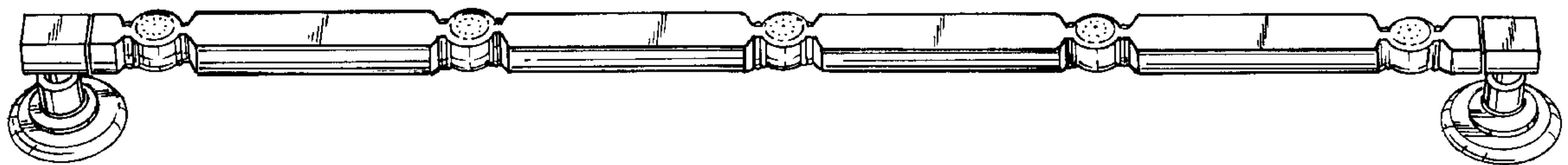
The broken line showing is for illustrative purposes only and forms no part of the claimed design.

[56] **References Cited**

U.S. PATENT DOCUMENTS

D. 375,787 11/1996 Bonnell et al. D23/304
D. 397,773 9/1998 Valentin D23/304

1 Claim, 2 Drawing Sheets



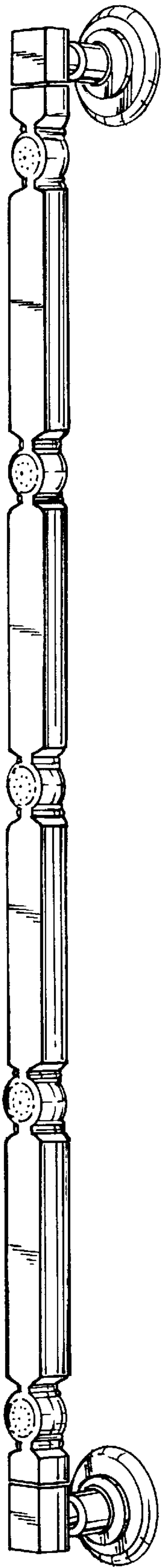


Fig. 1

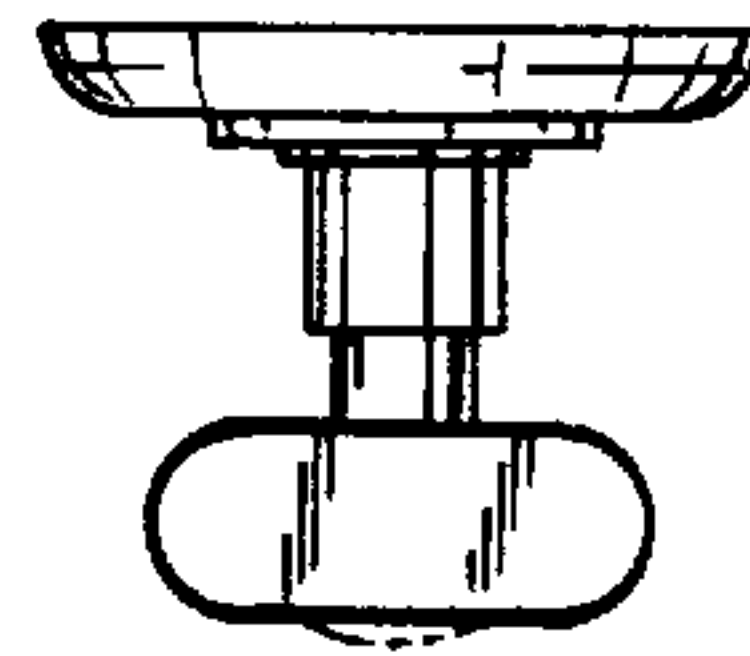


Fig. 2

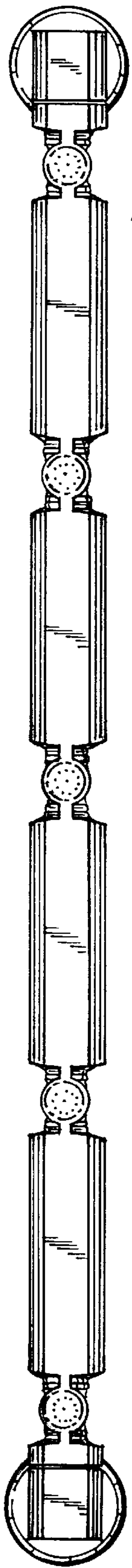


Fig. 3

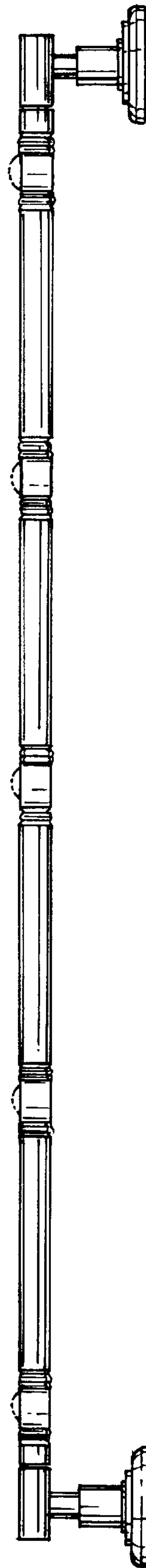


Fig. 4

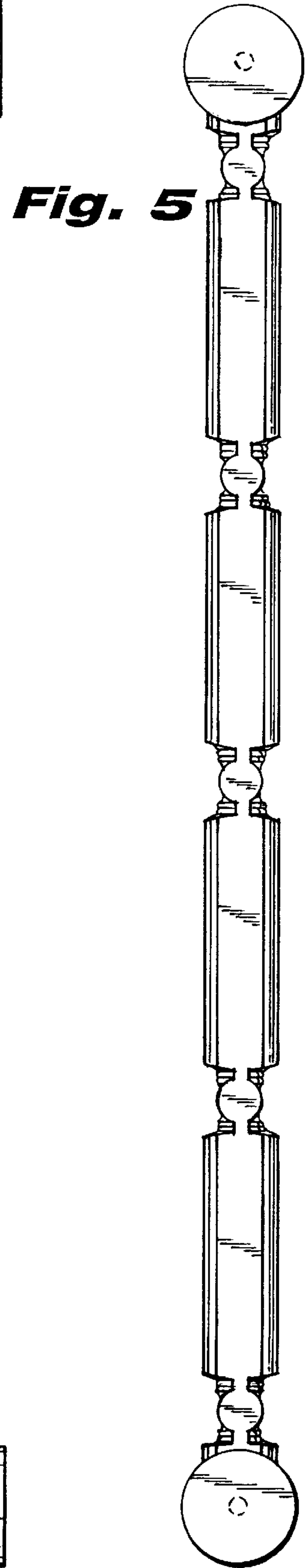


Fig. 5