



US00D417906S

# United States Patent [19] Müllenmeister

[11] **Patent Number: Des. 417,906**

[45] **Date of Patent: \*\* Dec. 21, 1999**

[54] **SINGLE-LEVER FAUCET**

[75] Inventor: **Daniel Müllenmeister**, Havixbeck,  
Germany

[73] Assignee: **Friedrich Grohe AG**, Hemer, Germany

[\*\*] Term: **14 Years**

[21] Appl. No.: **29/105,003**

[22] Filed: **May 14, 1999**

[30] **Foreign Application Priority Data**

Dec. 18, 1998 [DE] Germany ..... 498 12 219

[51] **LOC (6) Cl.** ..... **23-01**

[52] **U.S. Cl.** ..... **D23/238**

[58] **Field of Search** ..... D23/238-243,  
D23/250-257; 4/675-678; 137/801

[56] **References Cited**

**U.S. PATENT DOCUMENTS**

D. 373,178 8/1996 Gottwald ..... D23/238

- D. 394,698 5/1998 Krause ..... D23/238
- D. 397,205 8/1998 Kergoet ..... D23/238
- D. 399,302 10/1998 Bertoli ..... D23/238
- D. 400,645 11/1998 Kergoet ..... D23/238
- D. 410,066 5/1999 Kergoet ..... D23/238

*Primary Examiner*—Eric Watterson  
*Attorney, Agent, or Firm*—Herbert Dubno

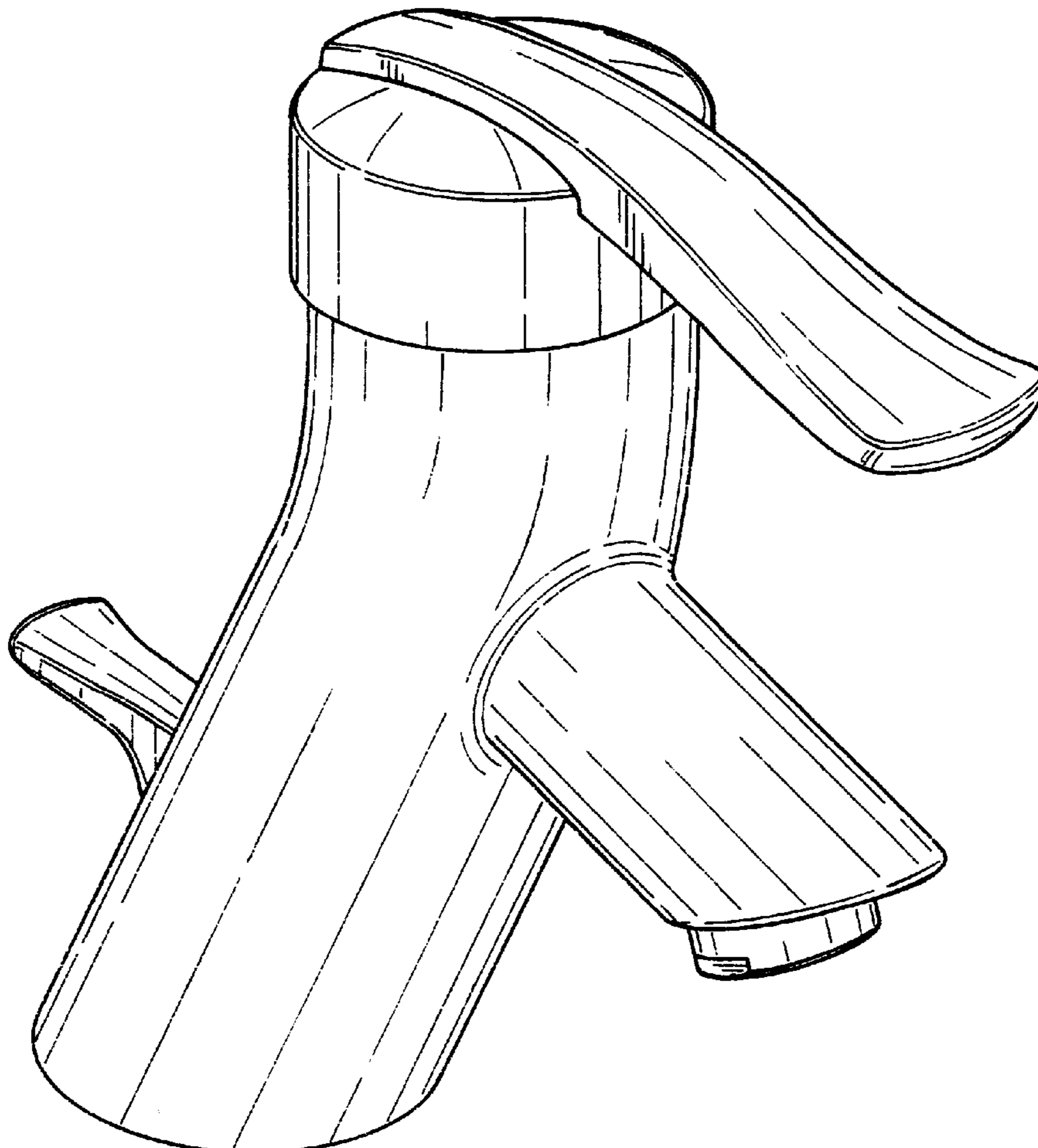
[57] **CLAIM**

The ornamental design for a single-lever faucet, as shown.

**DESCRIPTION**

FIG. 1 is a top, front, left-side perspective view of a single-lever faucet showing my new design;  
FIG. 2 is a bottom-plan view thereof;  
FIG. 3 is a top-plan view thereof;  
FIG. 4 is a right side elevational view, the opposite side being a mirror image thereof;  
FIG. 5 is a front view thereof; and,  
FIG. 6 is a rear view thereof.

**1 Claim, 3 Drawing Sheets**



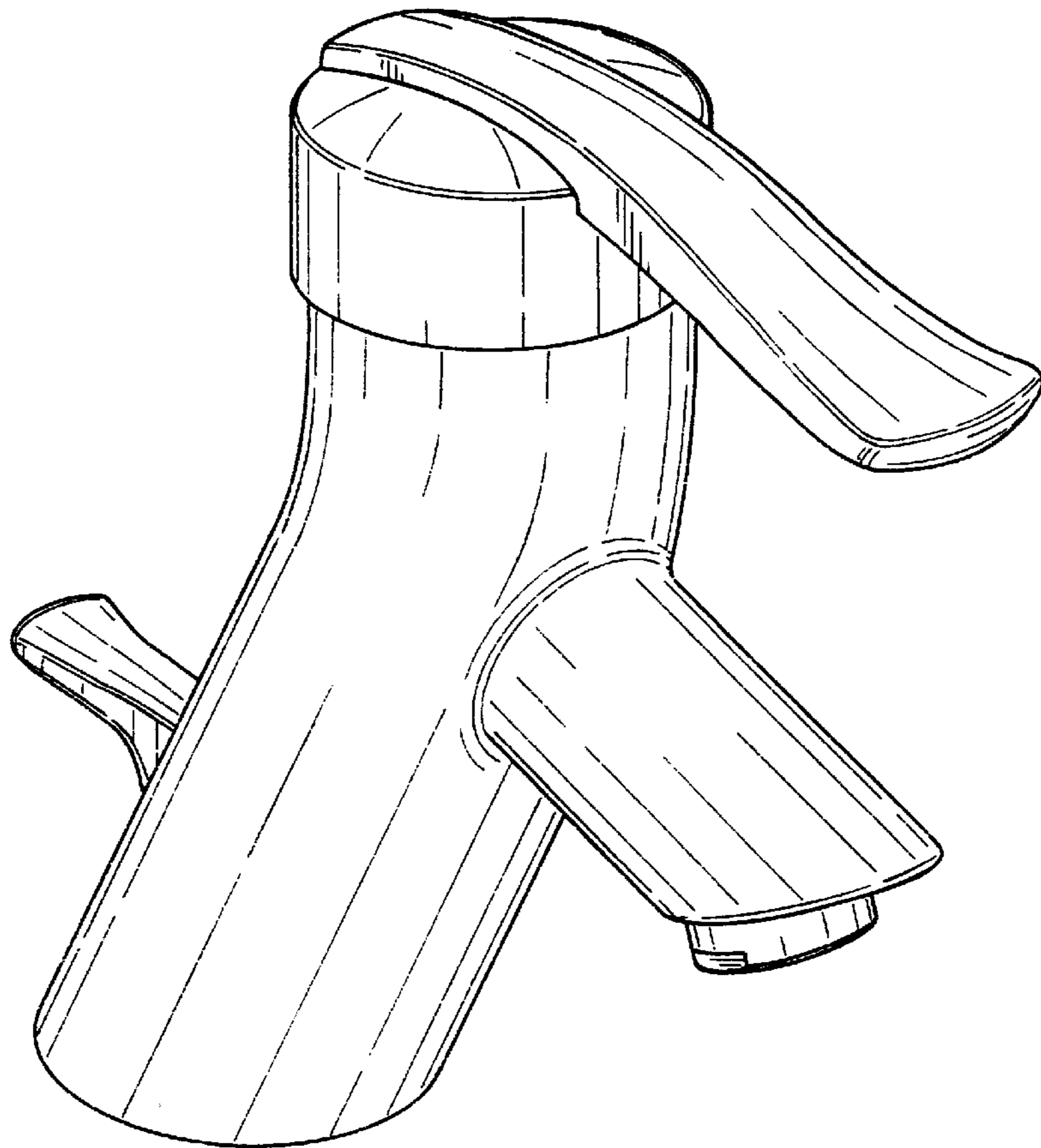
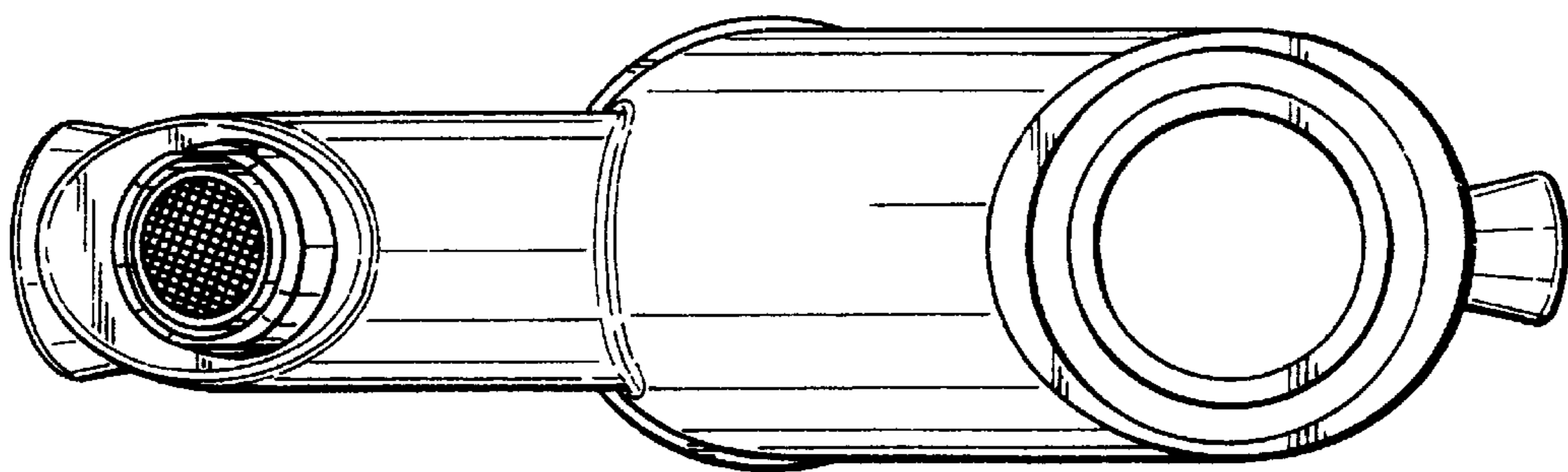


FIG. 1

FIG. 2



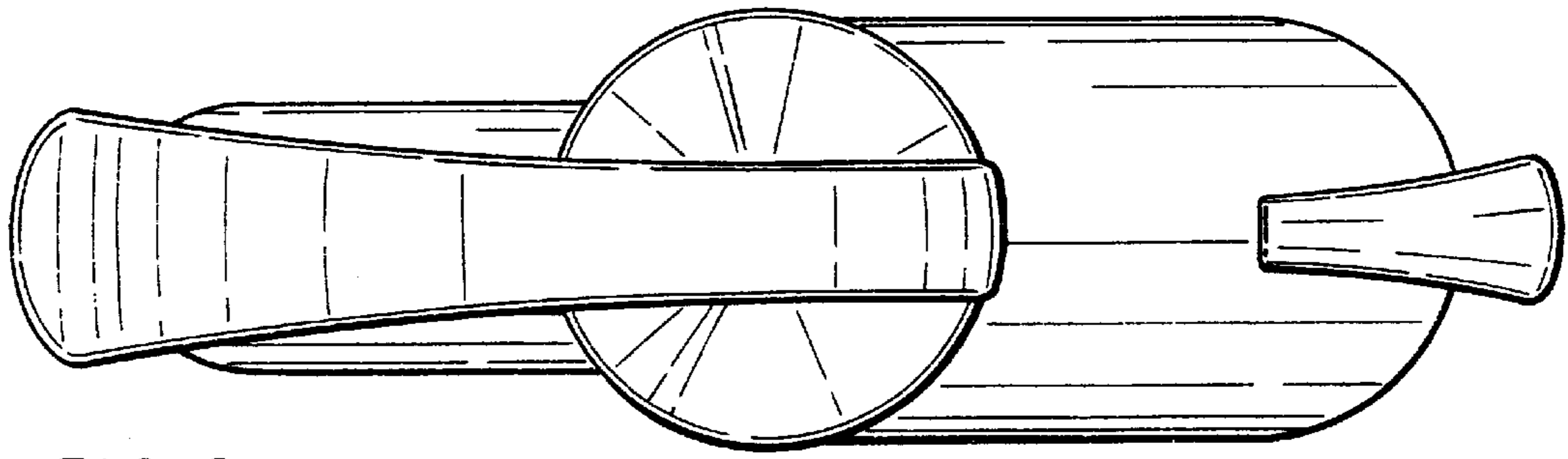


FIG. 3

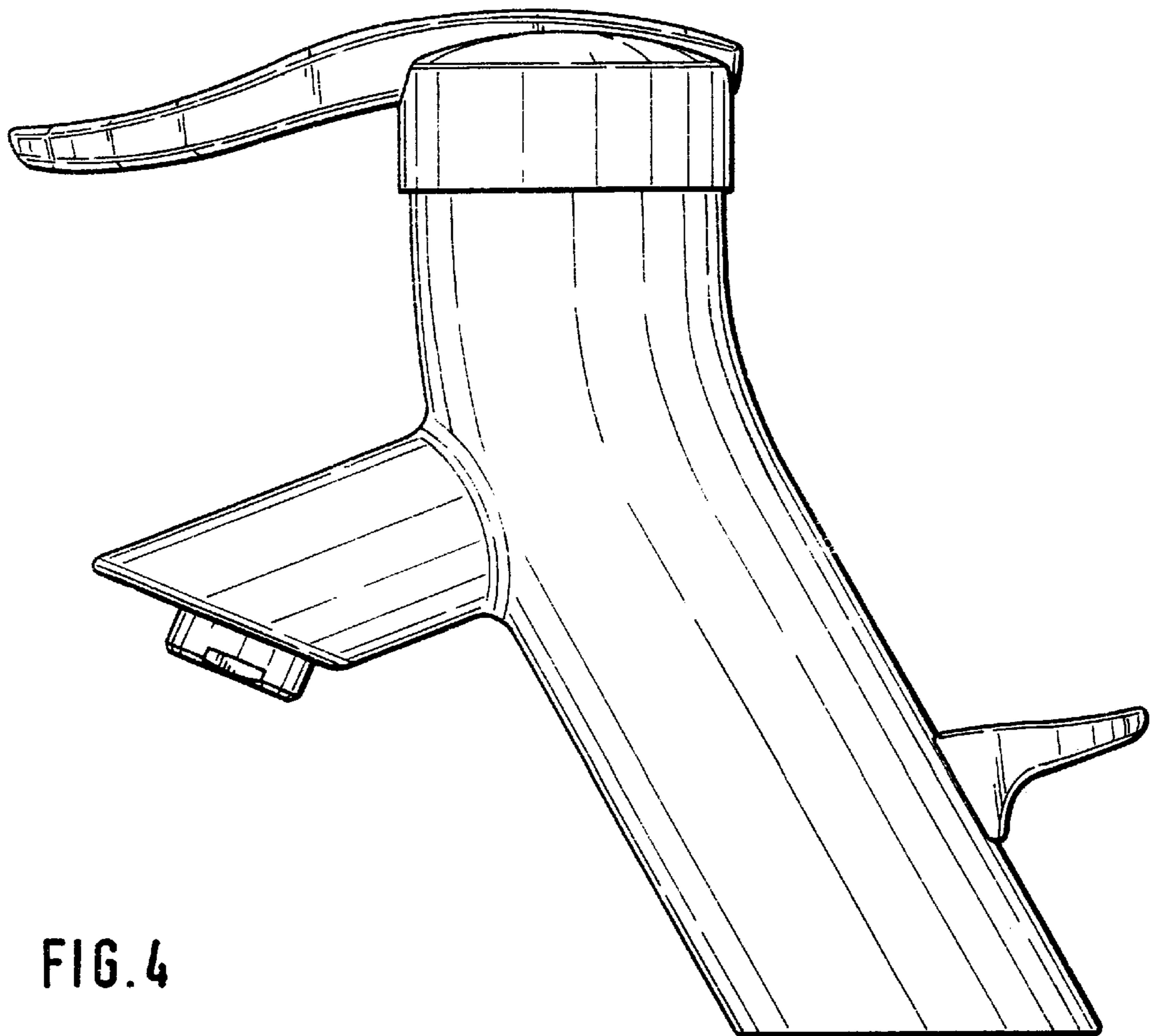


FIG. 4

FIG. 5

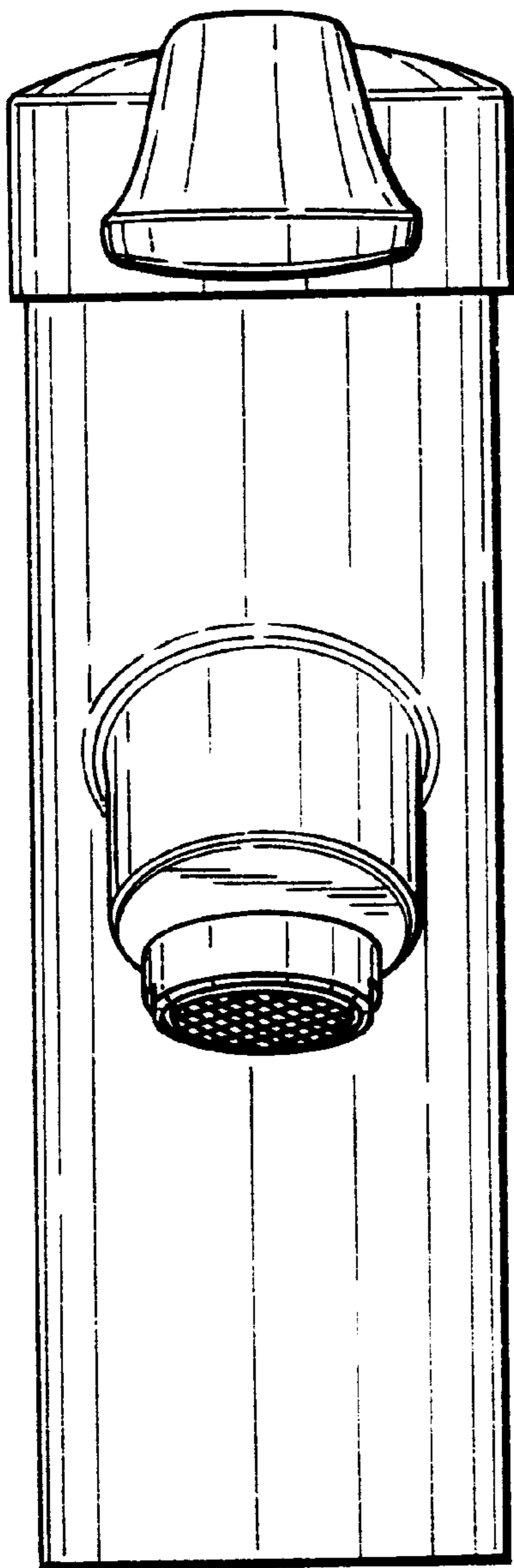


FIG. 6

