



US00D417904S

United States Patent [19]
Douglas

[11] **Patent Number: Des. 417,904**

[45] **Date of Patent: ** Dec. 21, 1999**

[54] **SHOWERHEAD FILTER SYSTEM**

[76] Inventor: **John H Douglas**, 14001 63rd Way,
Clearwater, Fla. 34620

[**] Term: **14 Years**

[21] Appl. No.: **29/095,183**

[22] Filed: **Oct. 19, 1998**

[51] **LOC (6) Cl.** **23-01**

[52] **U.S. Cl.** **D23/228; D23/209**

[58] **Field of Search** **D23/213-4, 228-230,**
D23/209; 210/460, 282; 4/605, 615

[56] **References Cited**

U.S. PATENT DOCUMENTS

- D. 313,266 12/1990 Geneve et al. D23/209
- D. 316,136 4/1991 Underwood D23/228
- D. 348,921 7/1994 Strand et al. D23/228

- 4,933,080 6/1990 Rundzaitis et al. 4/605
- 5,213,688 5/1993 Robinson 4/605
- 5,545,314 8/1996 Parise et al. 210/460

Primary Examiner—Robin V. Taylor
Attorney, Agent, or Firm—M. K. Silverman

[57] **CLAIM**

The ornamental design for a showerhead filter system, as shown and described.

DESCRIPTION

FIG. 1 is a side perspective view of the inventive showerhead filter.

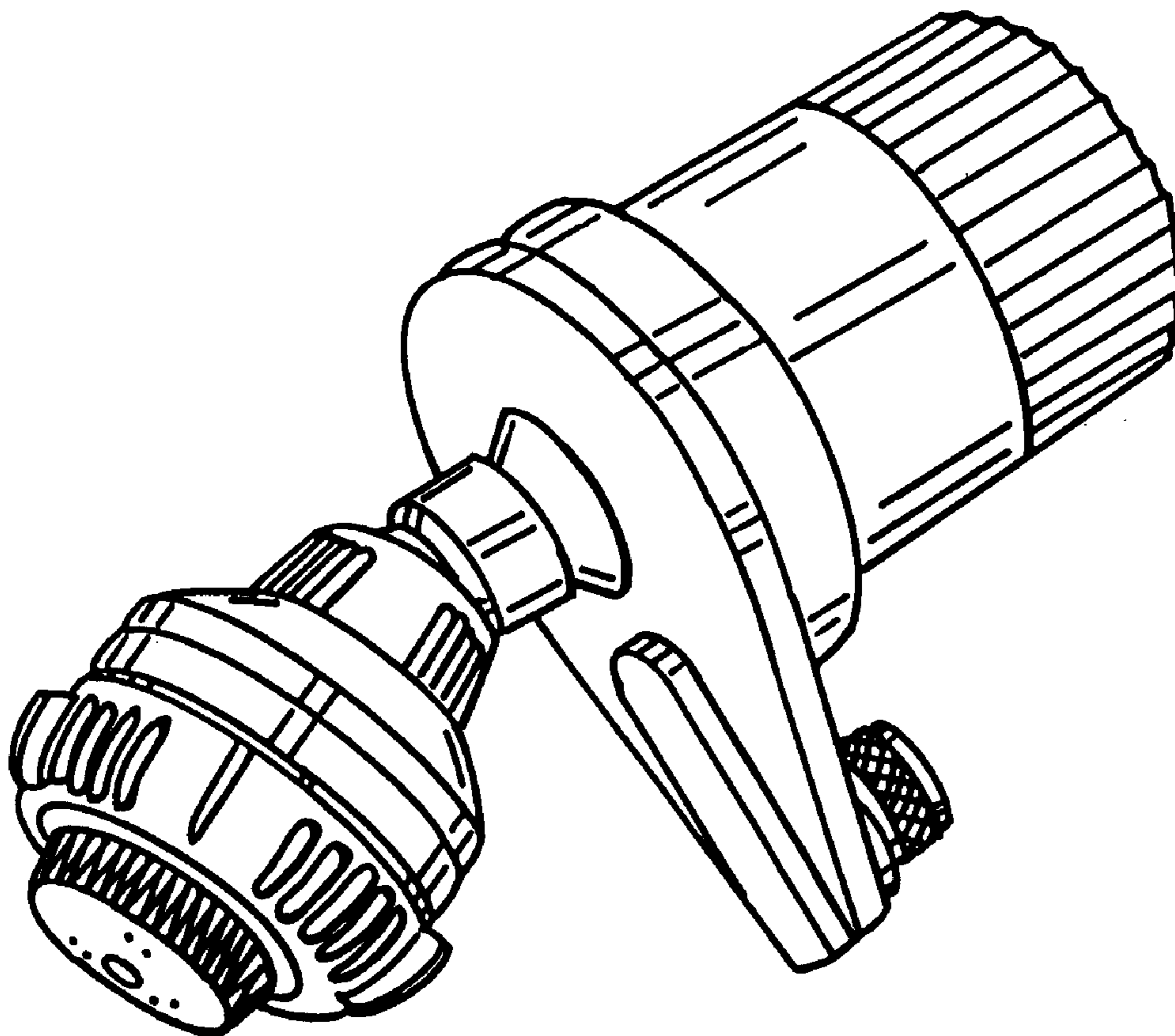
FIG. 2 is a side elevational view thereof.

FIG. 3 is bottom diagonal view of the filter.

FIG. 4 is a top diagonal view thereof; and,

FIG. 5 is a bottom view of the invention.

1 Claim, 3 Drawing Sheets



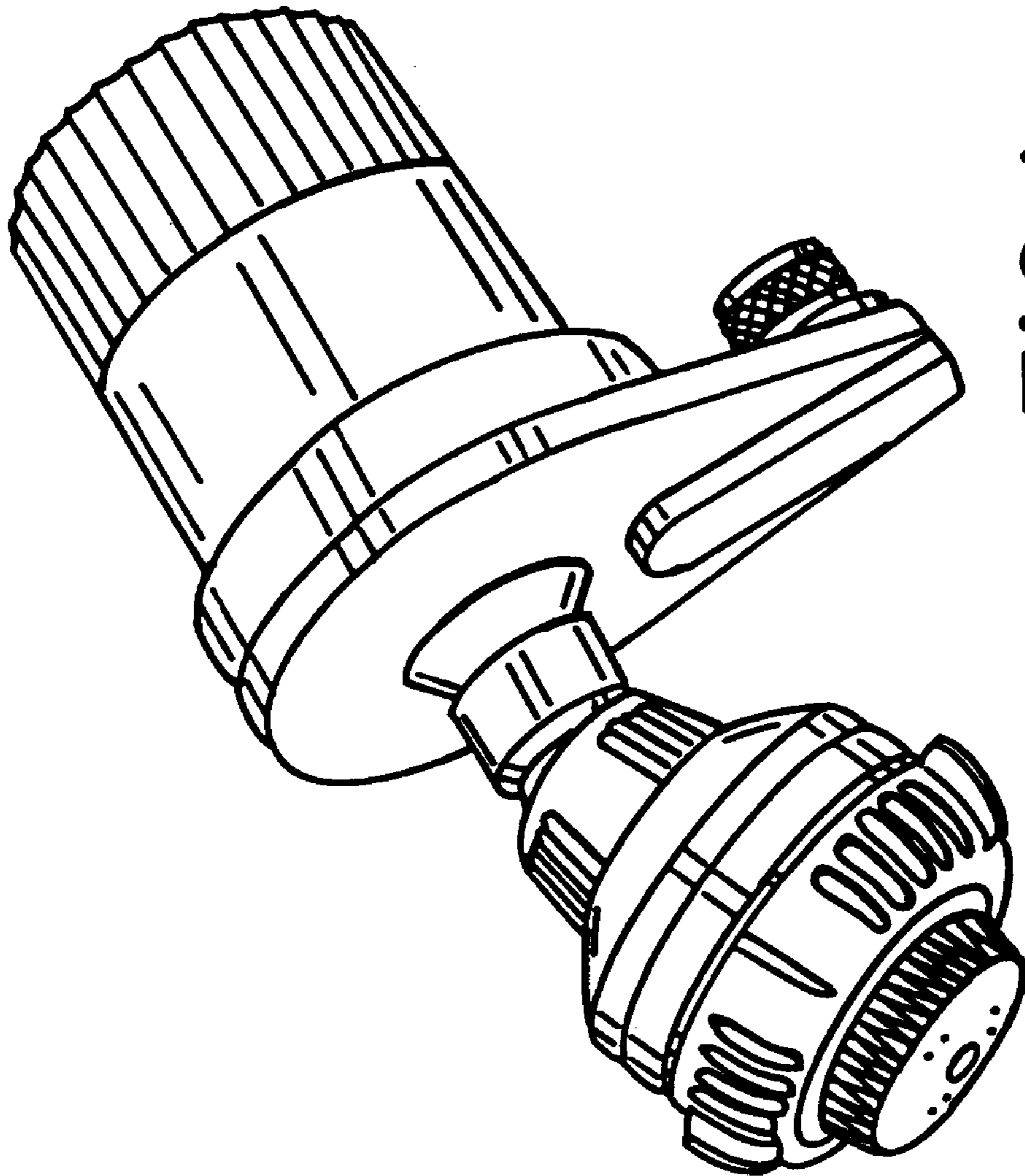


FIG. 1

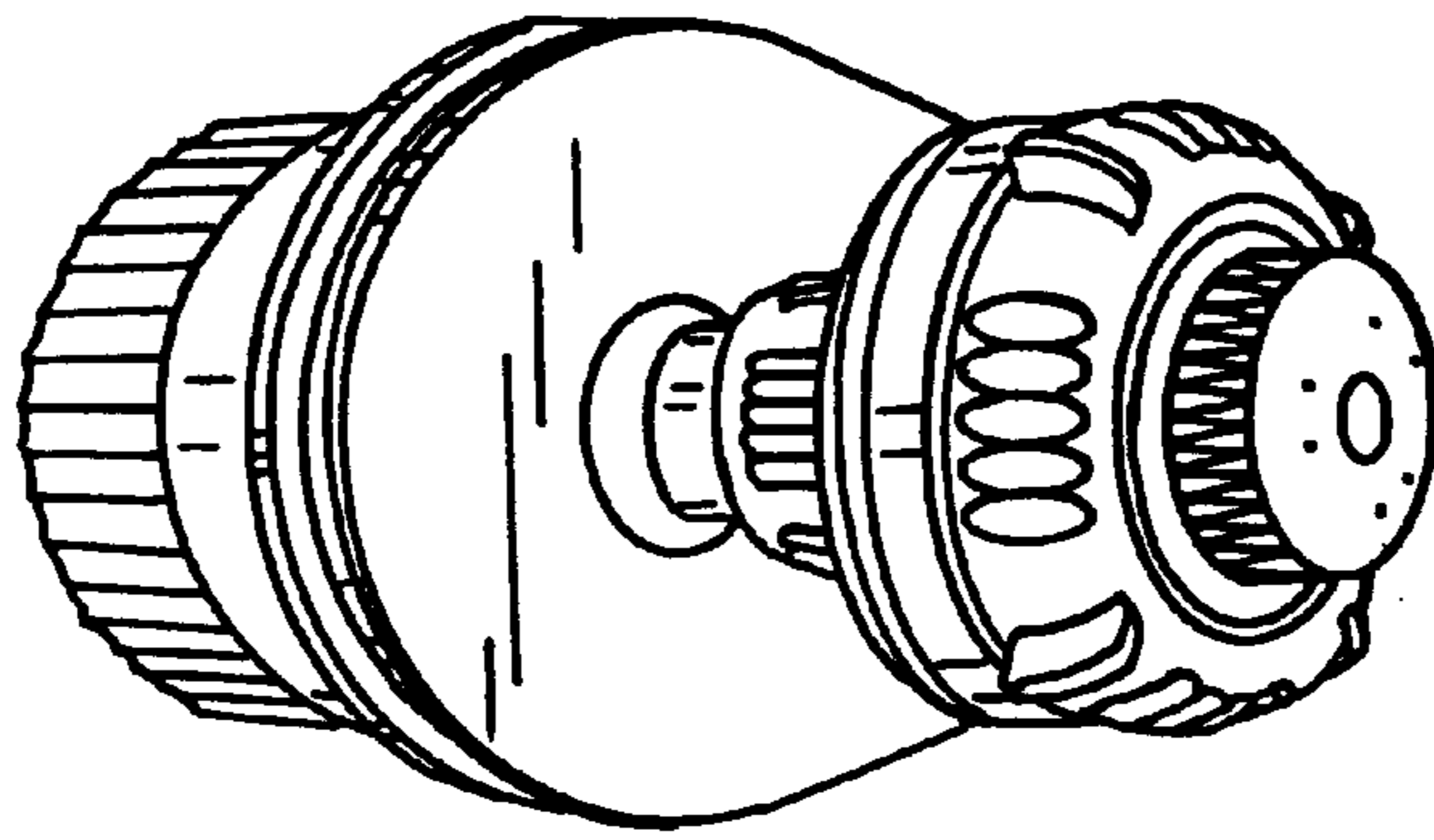


FIG. 3

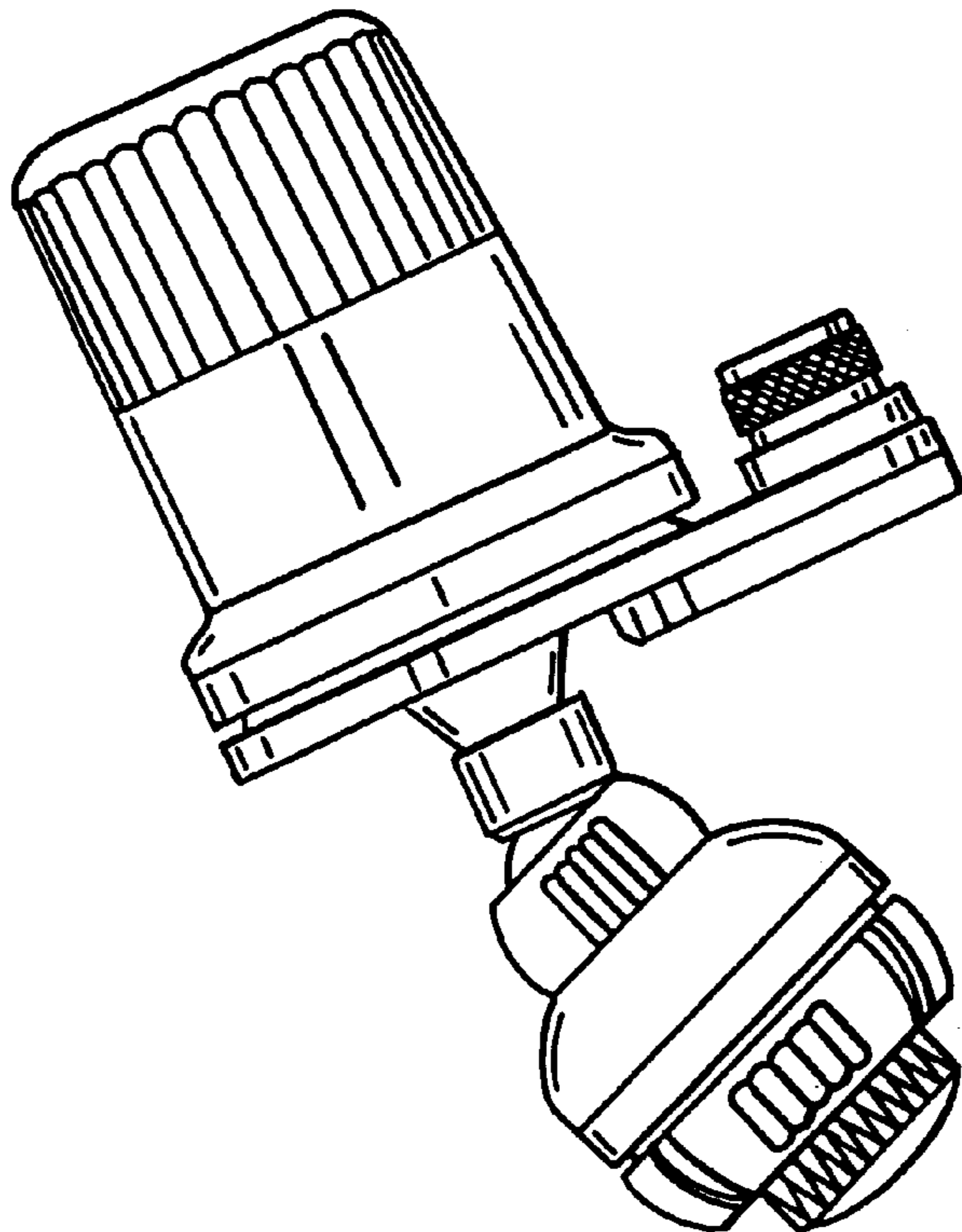


FIG. 2

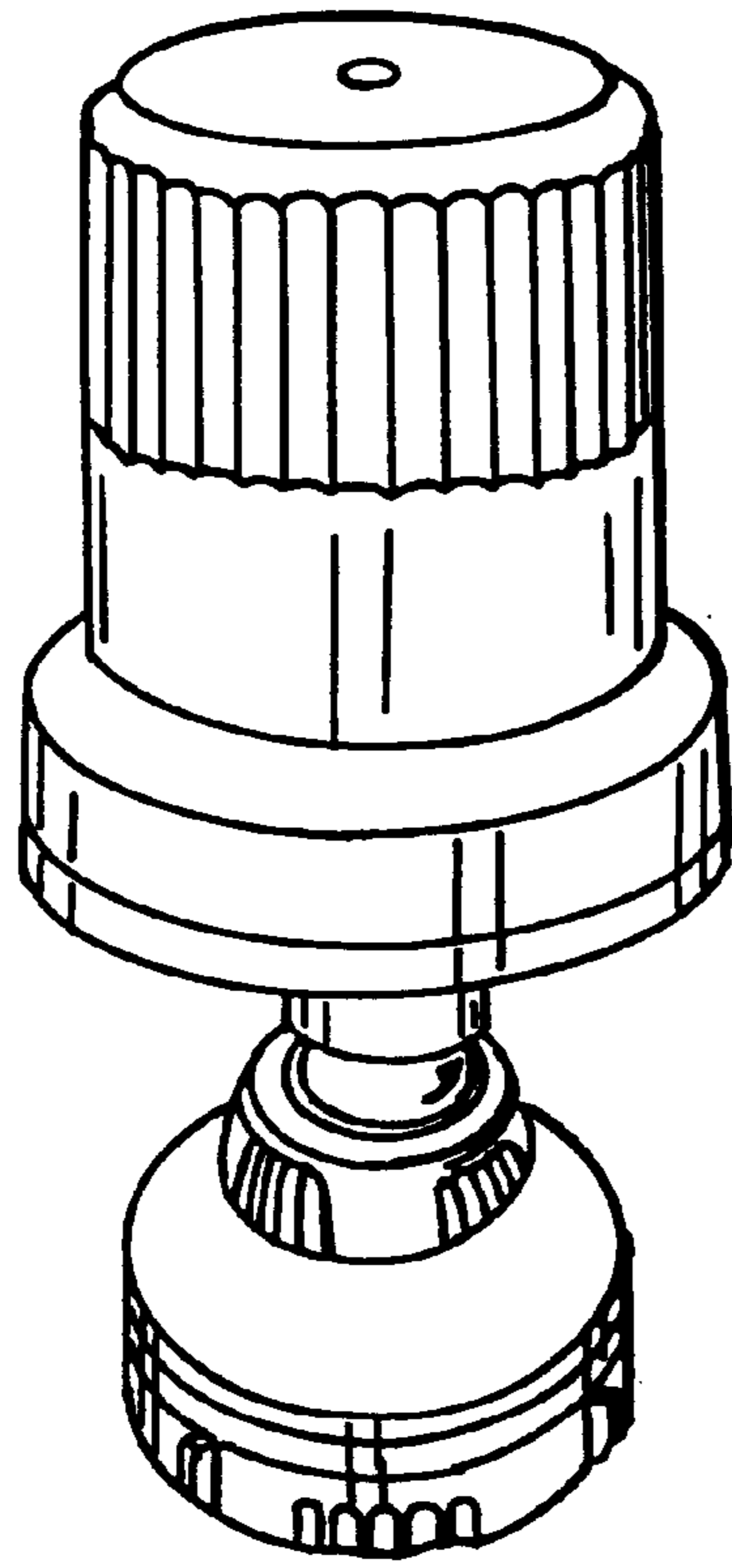


FIG. 5

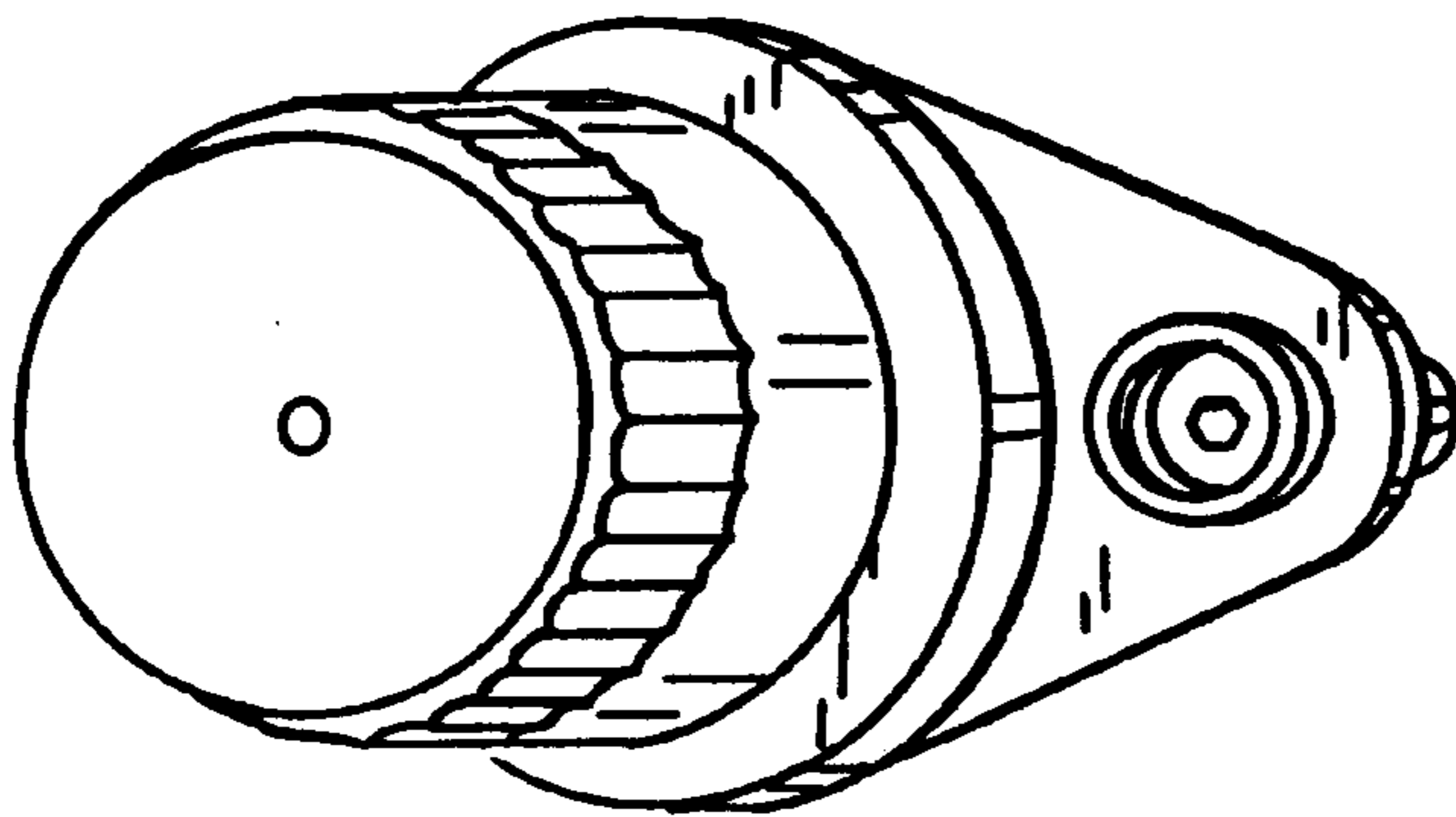


FIG. 4