



US00D417903S

United States Patent [19] Warshawsky

[11] **Patent Number: Des. 417,903**

[45] **Date of Patent: ** Dec. 21, 1999**

[54] **FLOOD SHOWERHEAD**

D. 342,564 12/1993 Jans D23/213

[75] Inventor: **Jerome Warshawsky**, Hewlett Harbor, N.Y.

Primary Examiner—Robin V. Taylor
Attorney, Agent, or Firm—Alfred M. Walker

[73] Assignee: **IW Industries Inc.**, Melville, N.Y.

[57] **CLAIM**

[**] Term: **14 Years**

The ornamental design for a flood showerhead, as shown and described.

[21] Appl. No.: **29/103,534**

DESCRIPTION

[22] Filed: **Apr. 15, 1999**

FIG. 1 is a perspective view of a flood showerhead, showing my new design;

[51] **LOC (6) Cl.** **23-01**

[52] **U.S. Cl.** **D23/213**

FIG. 2 is a front elevational view thereof, the rear view being a mirror image thereof;

[58] **Field of Search** D23/213, 214,
D23/228–229; 239/536, 548

FIG. 3 is a left side elevational view thereof, the right side being a mirror image thereof;

[56] **References Cited**

U.S. PATENT DOCUMENTS

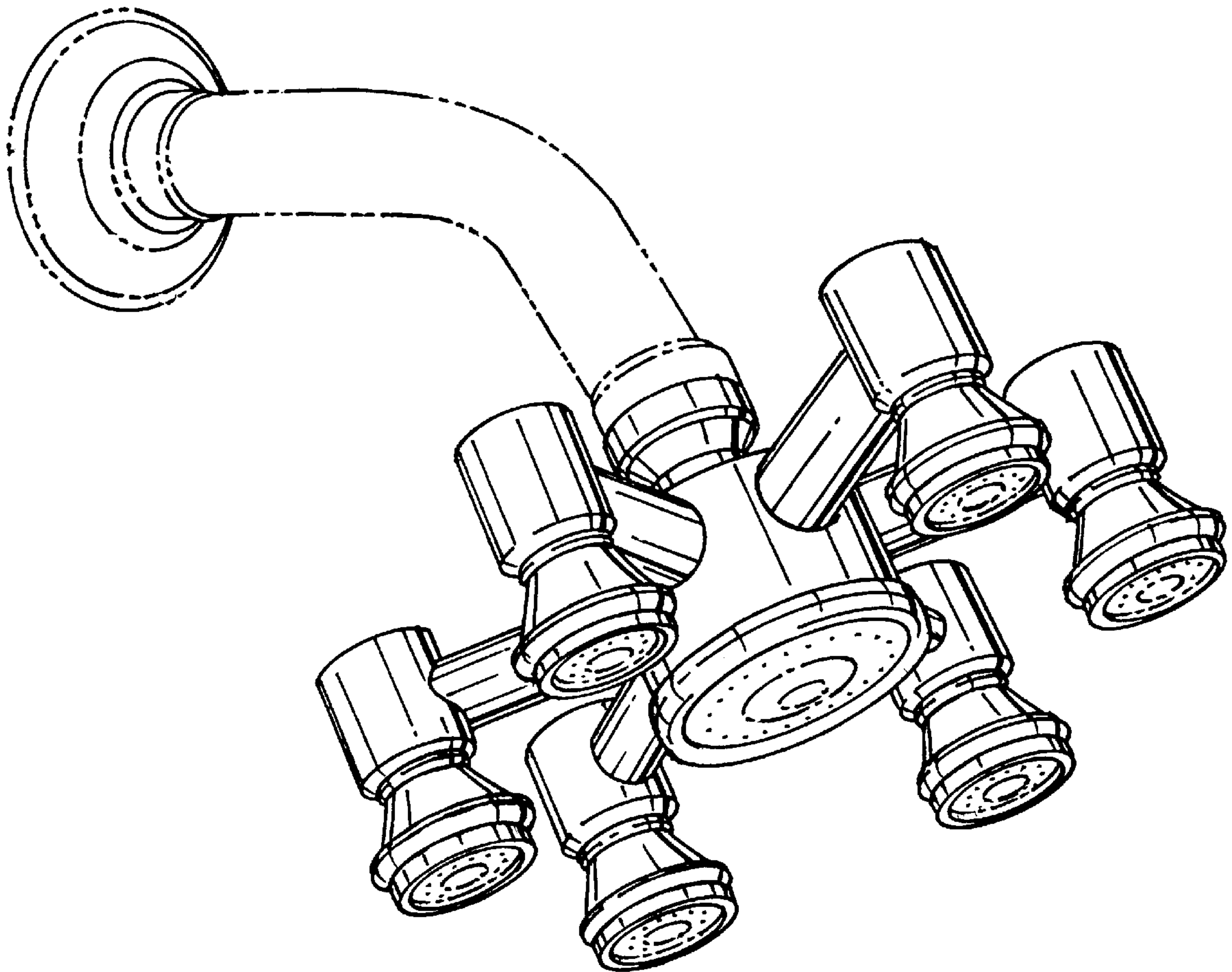
- D. 310,860 9/1990 Delepine D23/213
- D. 313,063 12/1990 Sroubek D23/213
- D. 329,276 9/1992 Blake D23/213

FIG. 4 is a top plan view thereof; and,

FIG. 5 is a bottom view thereof.

The broken line showing in FIGS. 1–3 is for illustrative purposes only and forms no part of the claimed design.

1 Claim, 3 Drawing Sheets



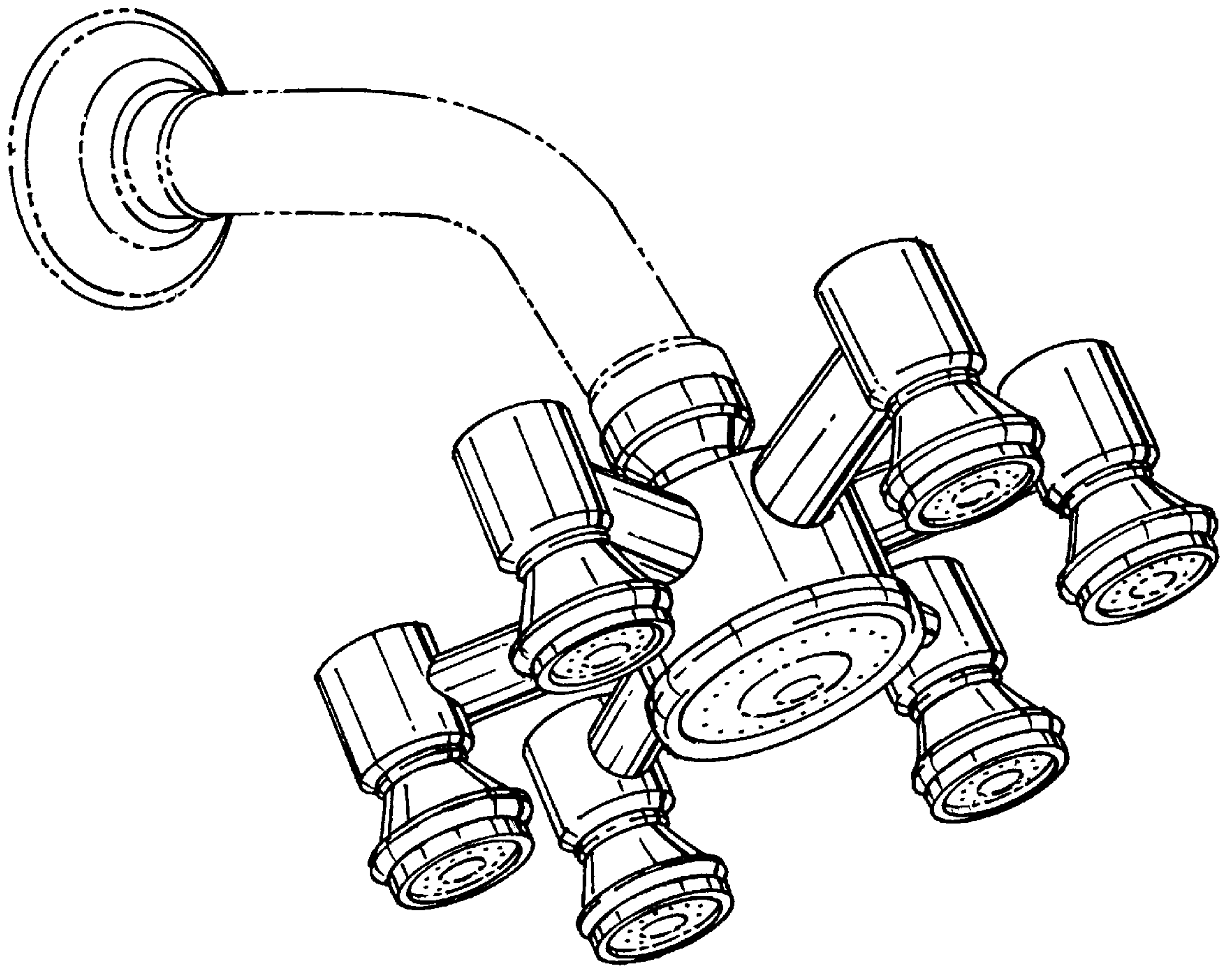


Fig. 1

Fig. 2

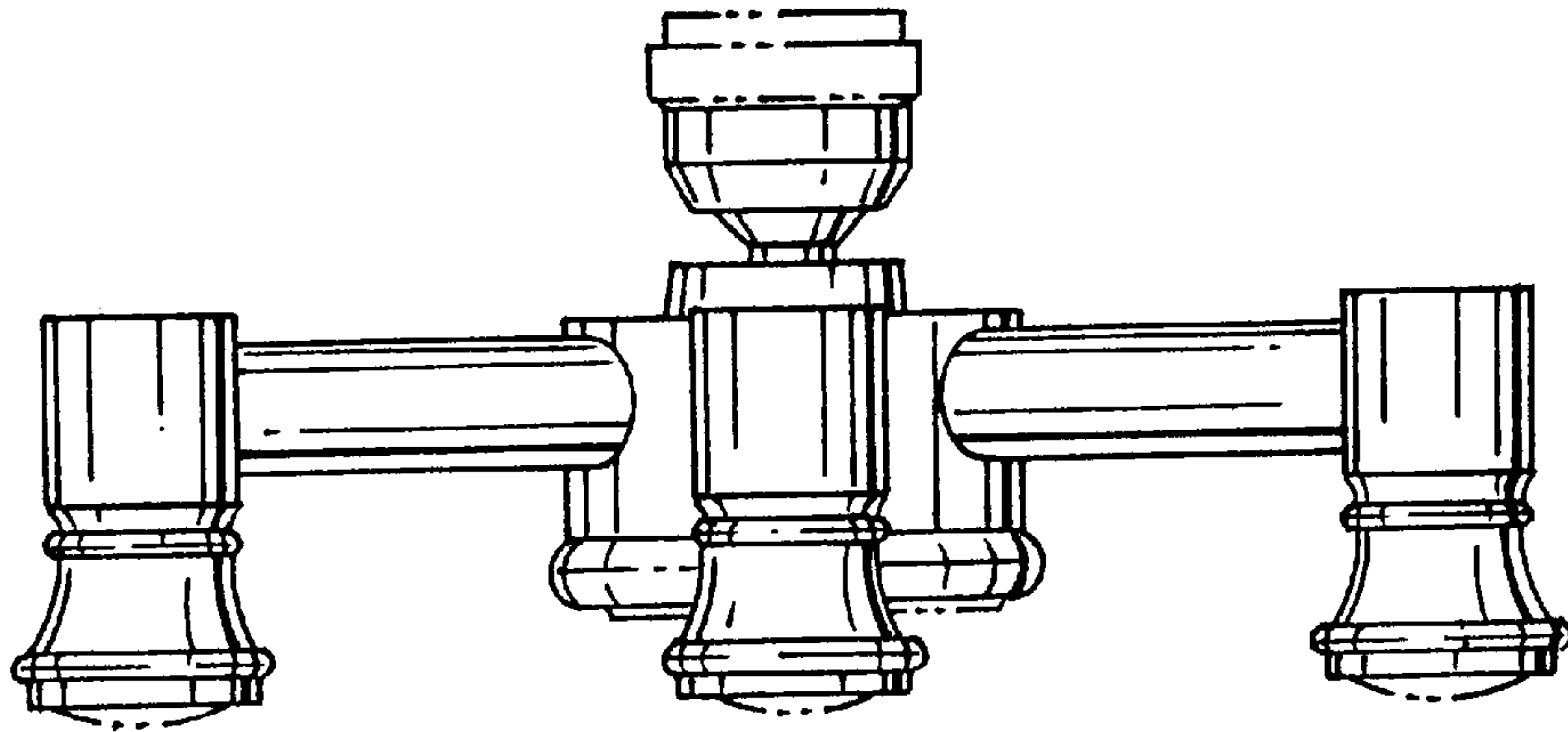
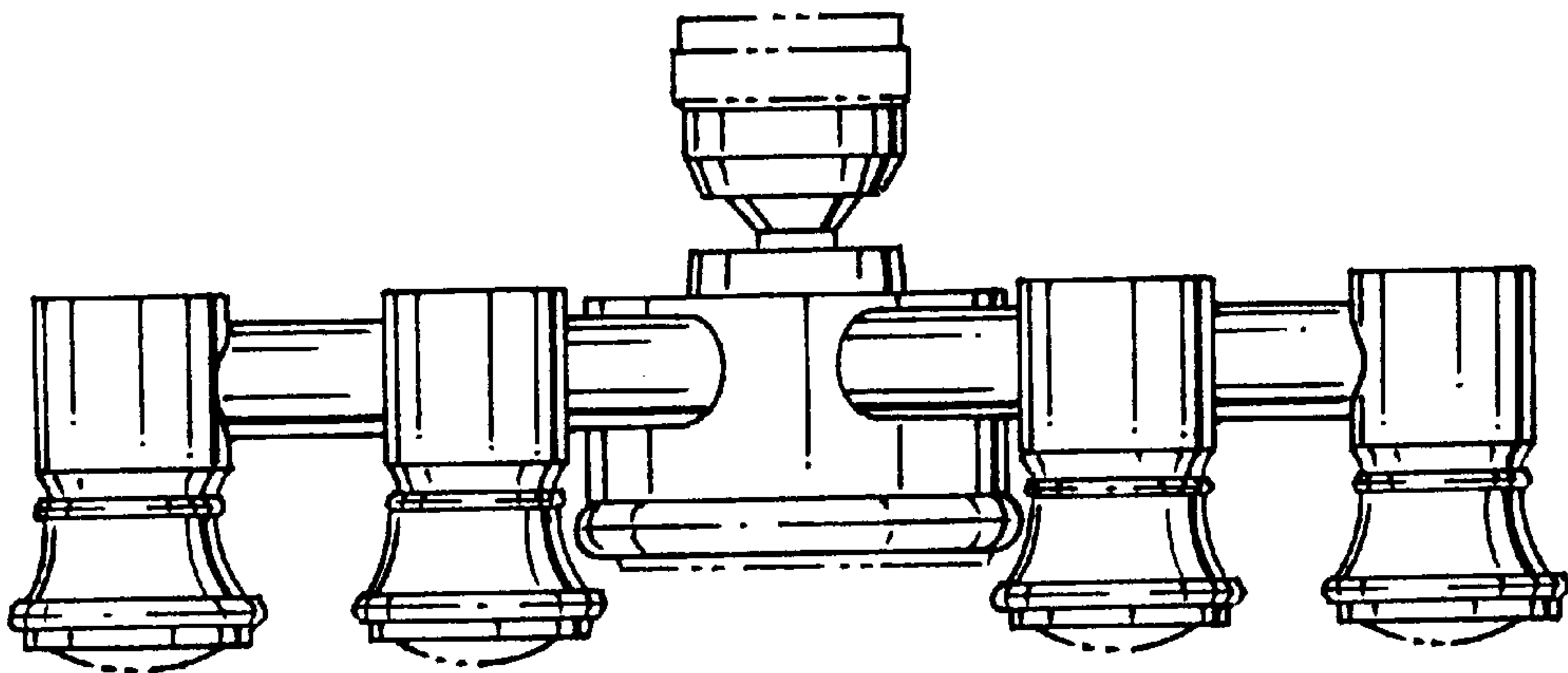


Fig. 3



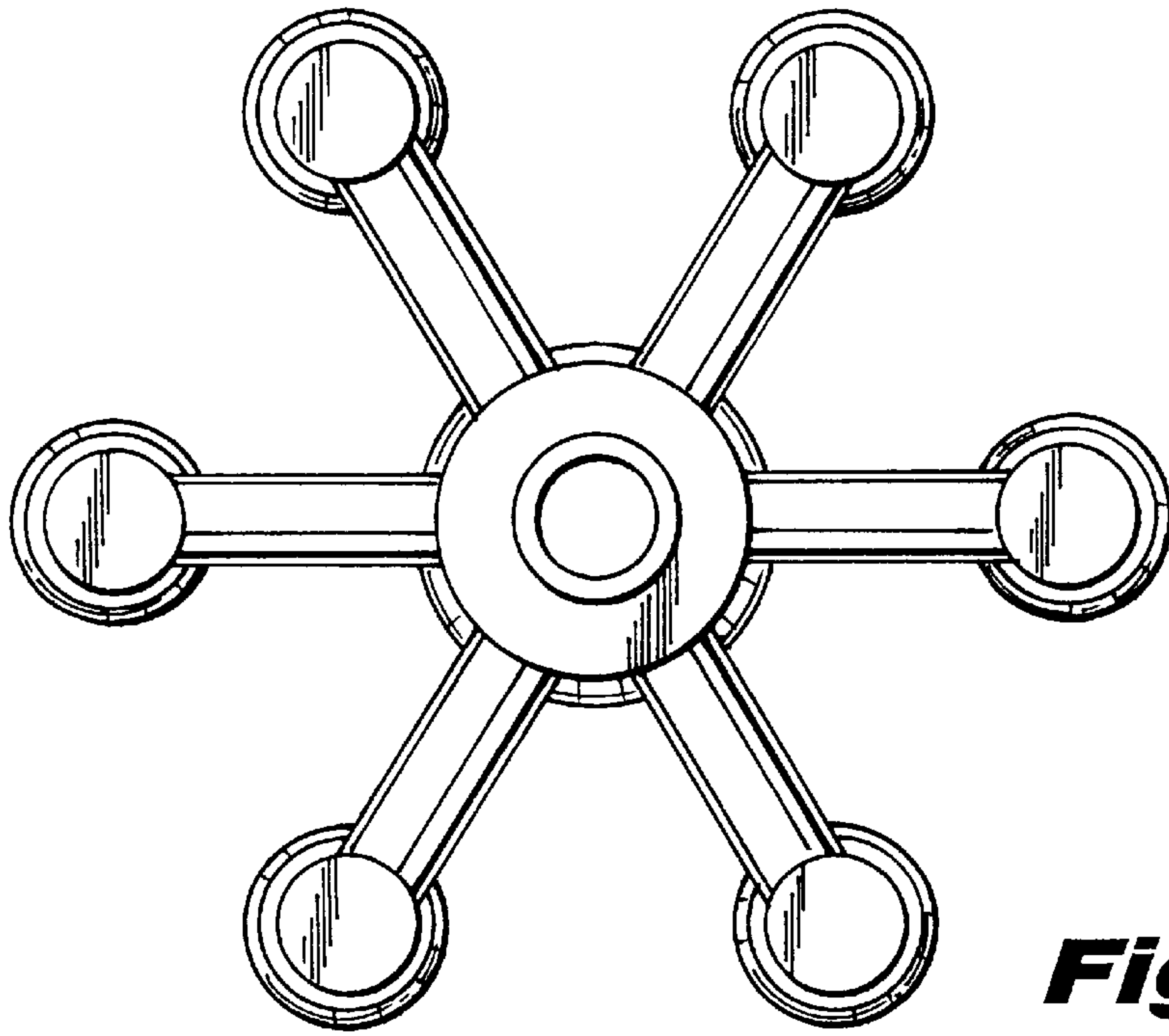


Fig. 4

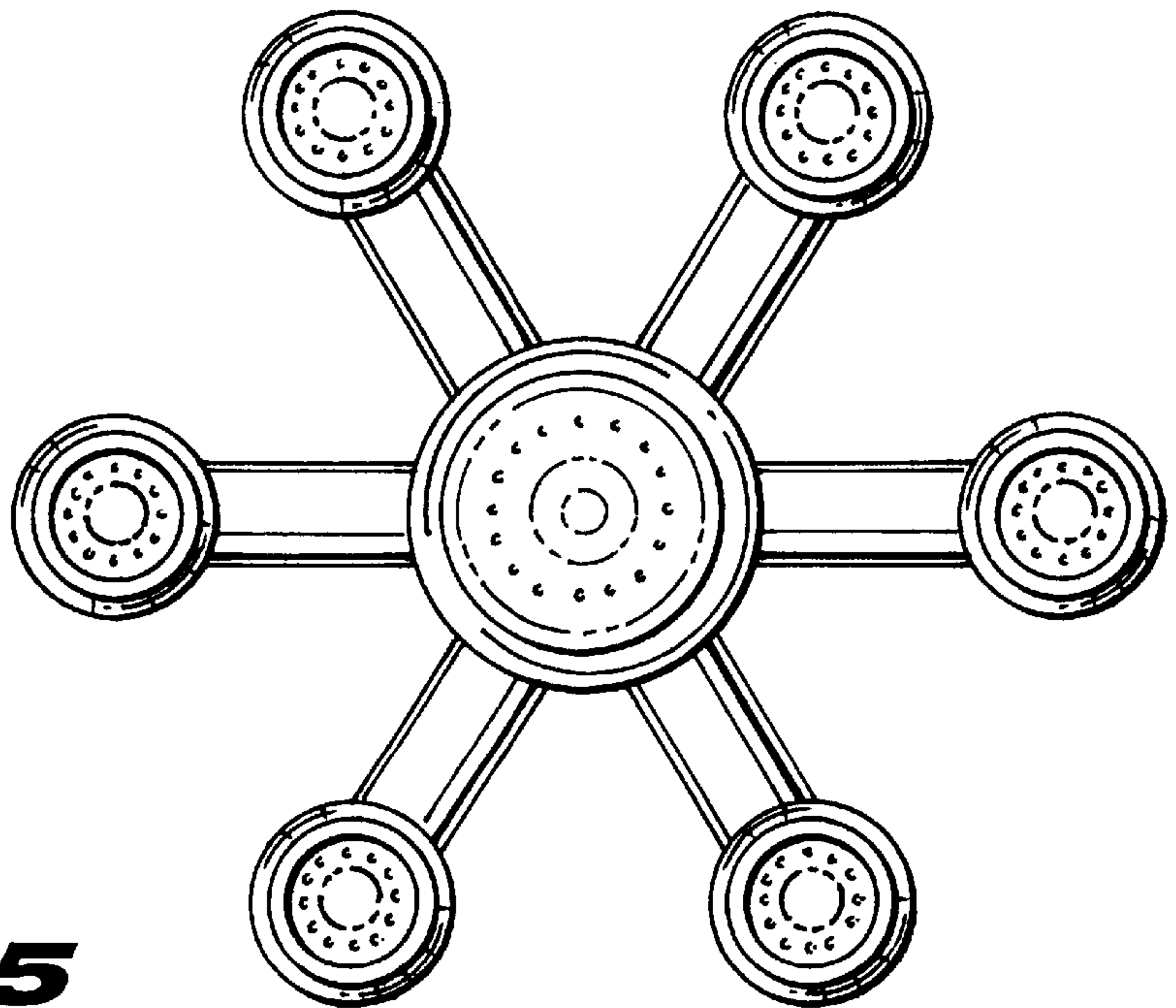


Fig. 5