



US00D417897S

United States Patent [19]

Miller et al.

[11] Patent Number: **Des. 417,897**

[45] Date of Patent: **** Dec. 21, 1999**

[54] **TOY CRAWFISH BOAT**

[76] Inventors: **Ritchey W. Miller; Denise M. Miller,**
both of 164 Belgium Rd., Crowley, La.
70526

[**] Term: **14 Years**

[21] Appl. No.: **29/098,731**

[22] Filed: **Jan. 5, 1999**

[51] **LOC (6) Cl.** **21-01**

[52] **U.S. Cl.** **D21/543; D12/306**

[58] **Field of Search** **D21/542-547;**
D12/306; 446/160-165

[56] **References Cited**

U.S. PATENT DOCUMENTS

D. 190,894	7/1961	Dodd	D12/306
D. 397,987	9/1998	Anderson	D12/306
1,444,646	2/1923	Thompson	D21/543
1,533,634	4/1925	Chellman	D21/543
3,046,697	7/1962	Pullen .	

3,447,259	6/1969	Cagen .
3,528,195	9/1970	Cooper .
3,570,172	3/1971	Lombardo .
3,854,238	12/1974	Lemelson .
4,817,553	4/1989	Knott, Sr. .

Primary Examiner—Raphael Barkai
Attorney, Agent, or Firm—Kenneth L Tolar

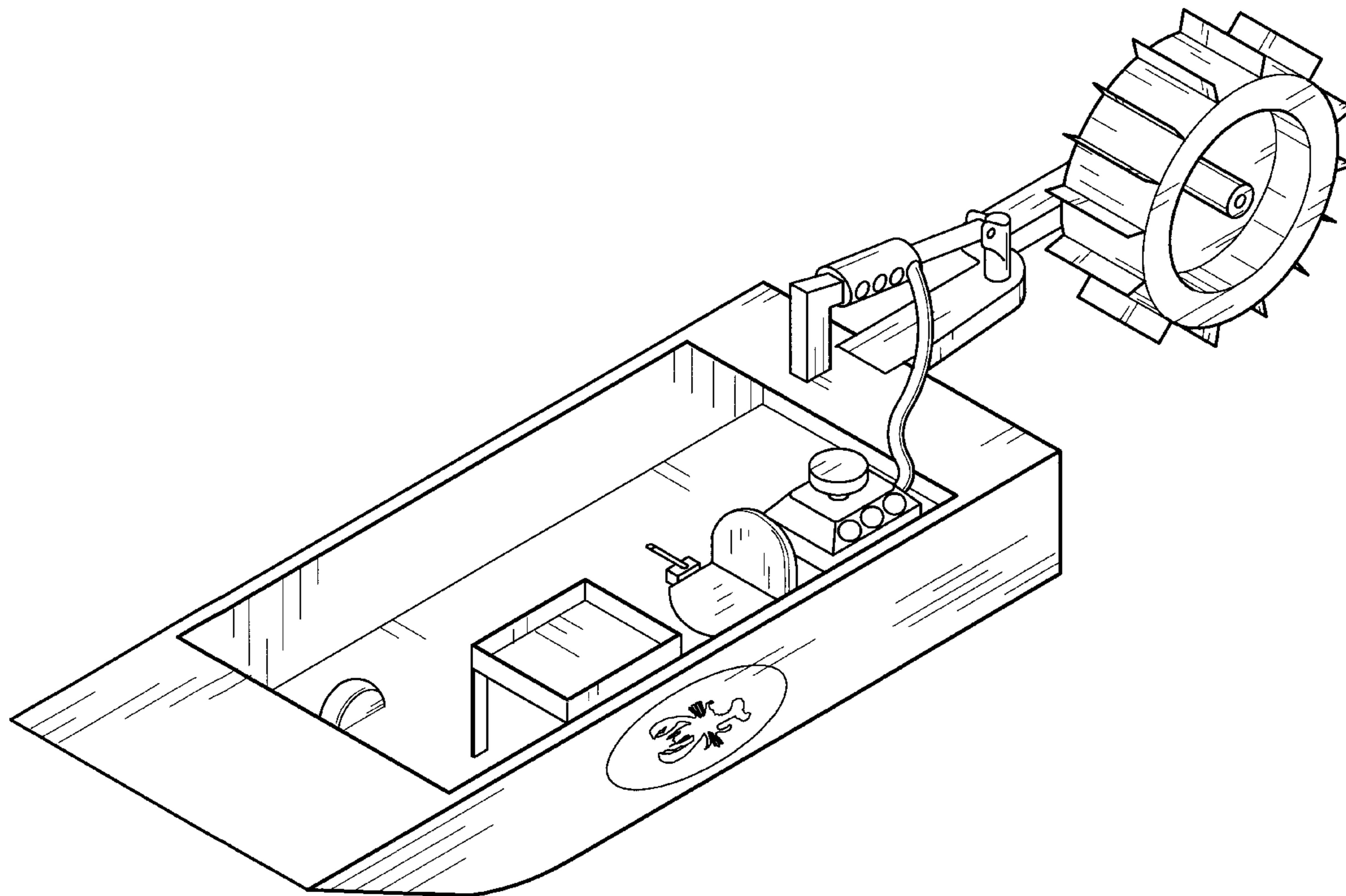
[57] **CLAIM**

What is claimed is the ornamental design for a toy crawfish boat, as shown.

DESCRIPTION

FIG. 1 is a perspective view of the toy crawfish boat according to my new design.
FIG. 2 is a left side view thereof.
FIG. 3 is a right side view thereof.
FIG. 4 is a top view thereof.
FIG. 5 is a front view thereof.
FIG. 6 is rear view thereof; and,
FIG. 7 is a bottom view thereof.

1 Claim, 3 Drawing Sheets



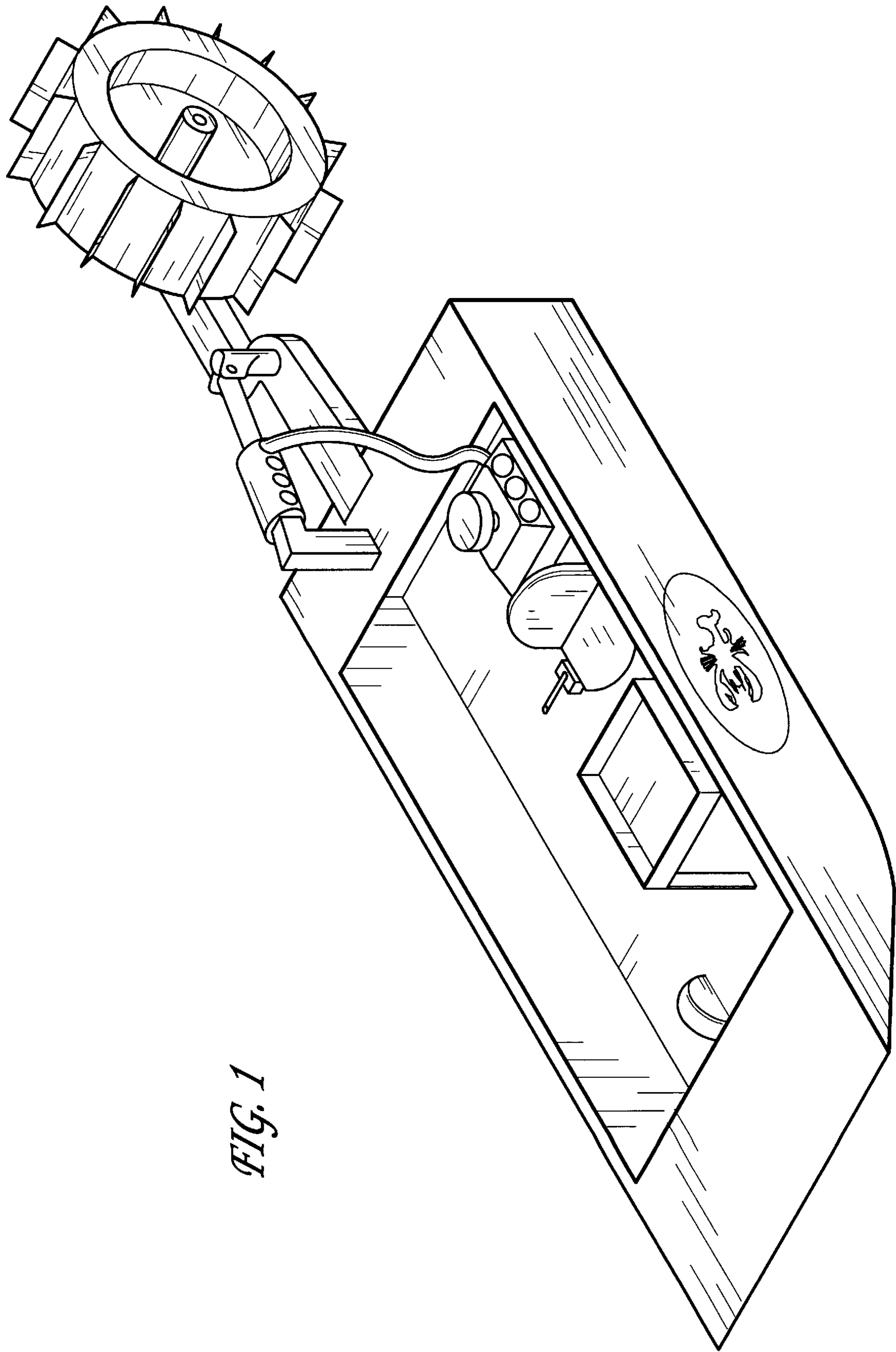


FIG. 1

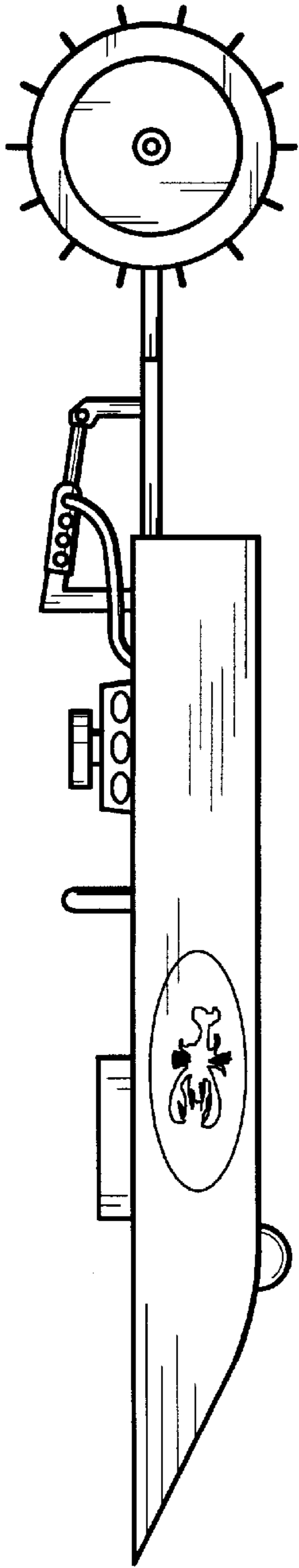


FIG. 2

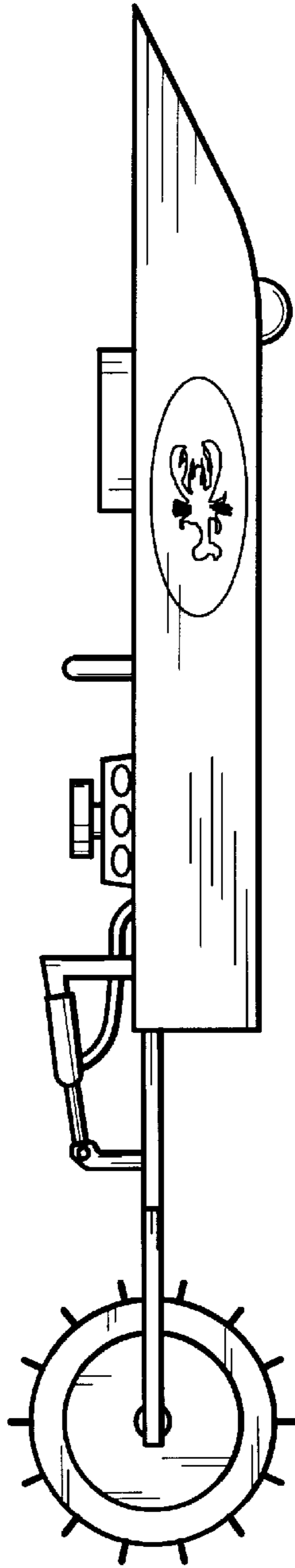


FIG. 3

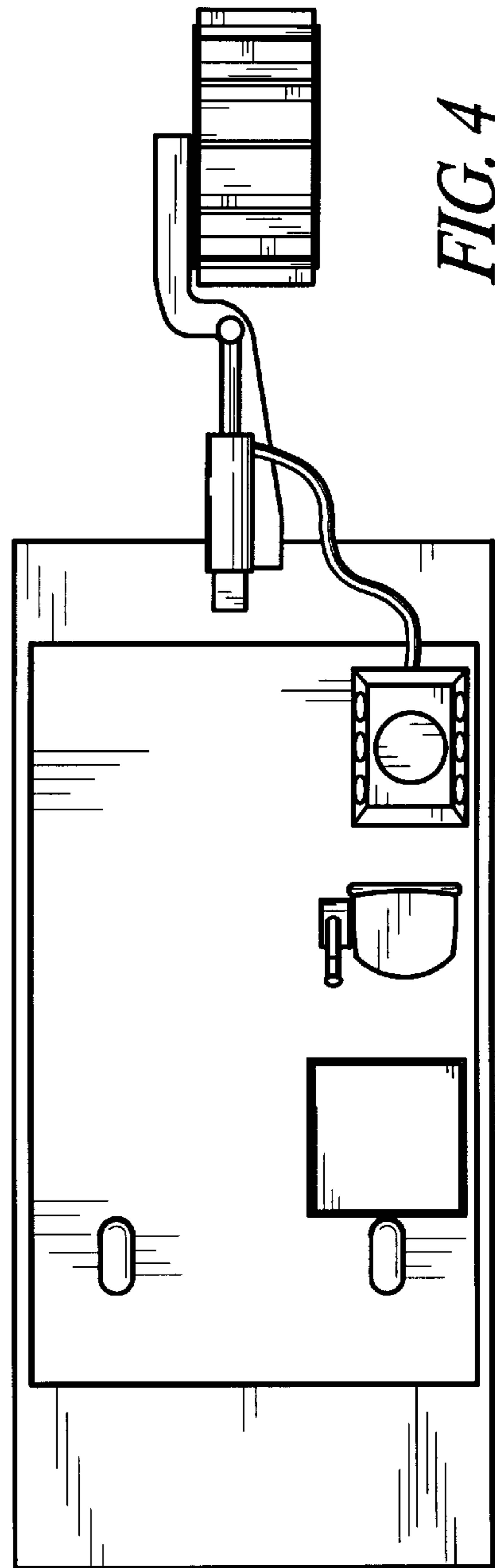


FIG. 4

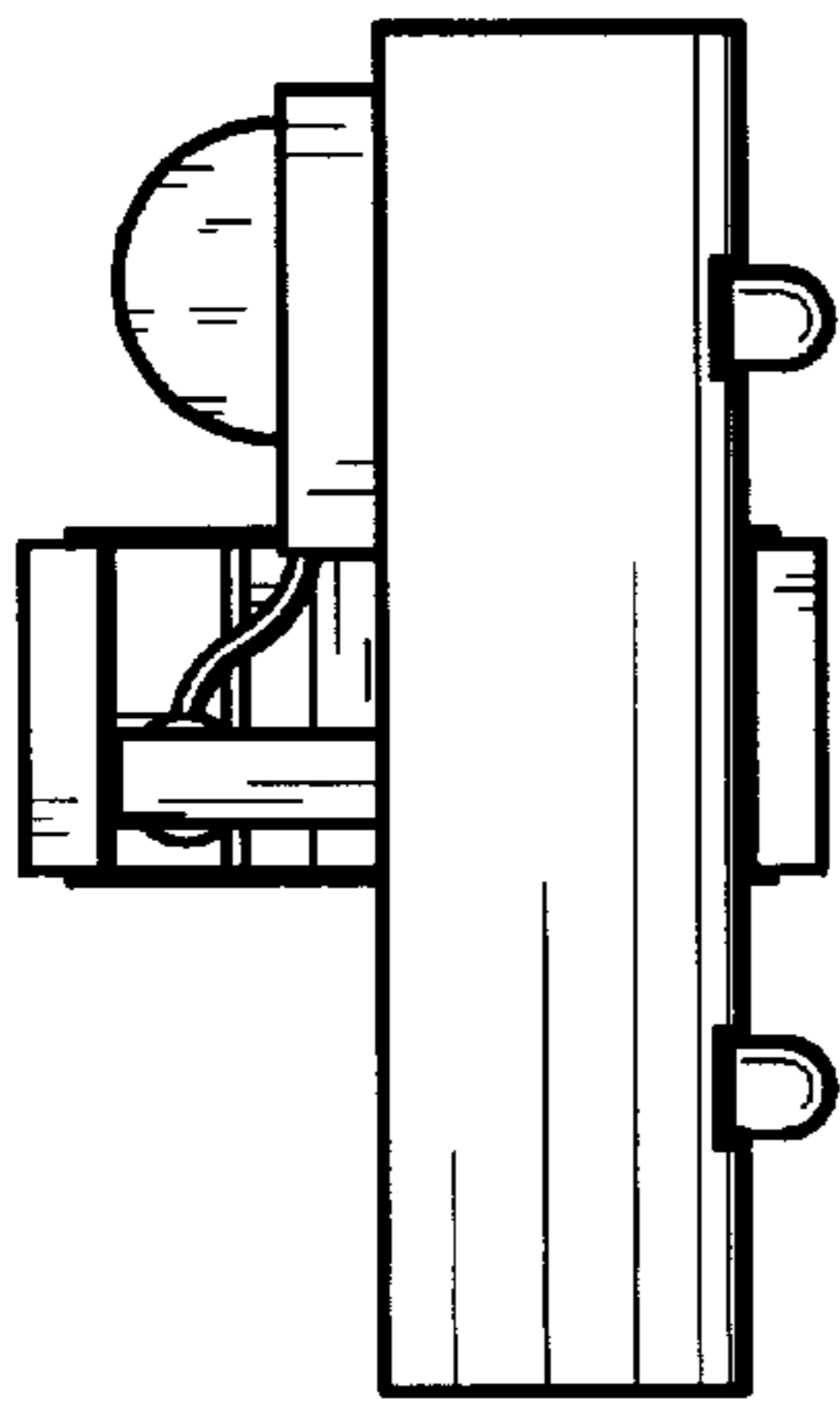


FIG. 5

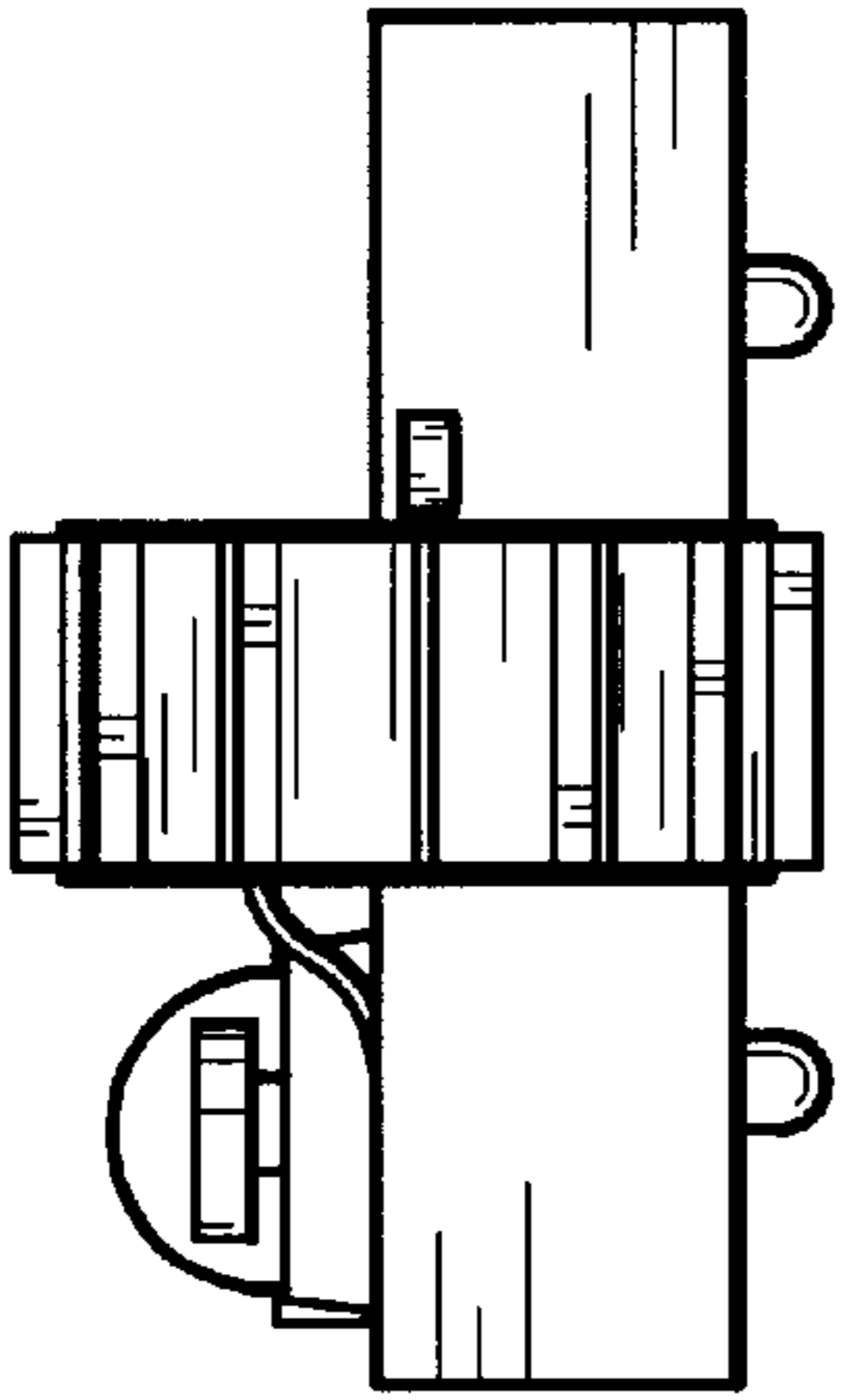


FIG. 6

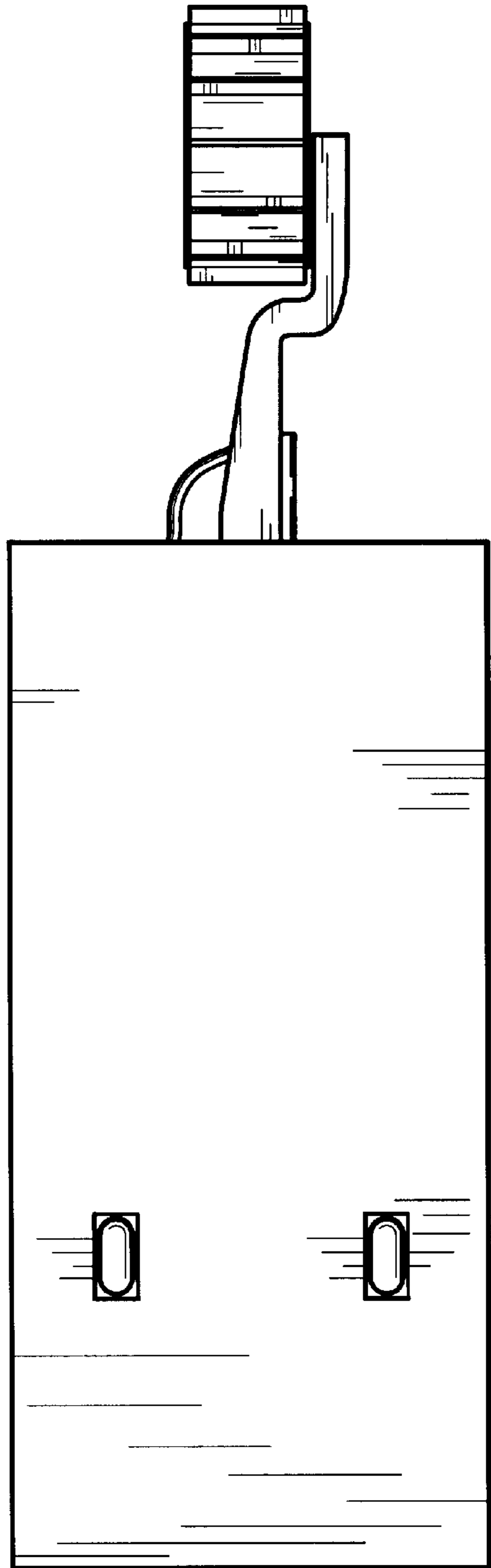


FIG. 7