



US00D417893S

United States Patent [19]

Hunter et al.

[11] **Patent Number: Des. 417,893**

[45] **Date of Patent: ** Dec. 21, 1999**

[54] **INFORMATION DISPLAY UNIT**

[75] Inventors: **Neil James Hunter; Claudio Ingrosso,**
both of Fife; **Jack Swan Topen,**
Pertshire, all of United Kingdom

[73] Assignee: **Cyber Frontiers International Limited,** United Kingdom

[**] Term: **14 Years**

[21] Appl. No.: **29/088,665**

[22] Filed: **May 29, 1998**

[30] **Foreign Application Priority Data**

Nov. 29, 1997 [GB] United Kingdom 2070822

[51] **LOC (6) Cl. 20-03**

[52] **U.S. Cl. D20/10; D14/100**

[58] **Field of Search D20/10; D14/100,**
D14/103, 106, 113, 124-129; 345/113,
104, 133, 156, 901-905, 168, 173; 248/917-924;
364/479.07

[56] **References Cited**

U.S. PATENT DOCUMENTS

D. 373,354 9/1996 Maslow D14/128

D. 377,784 2/1997 Wilson D14/100
D. 378,534 3/1997 Kato et al. D20/10
D. 380,498 7/1997 Lunetta D20/10
D. 391,565 3/1998 Nanjo D14/130
D. 397,094 8/1998 Kishi et al. D14/100
D. 407,755 4/1999 Isshiki et al. D20/10

Primary Examiner—Susan J. Lucas
Assistant Examiner—Jennifer Rivard
Attorney, Agent, or Firm—Young & Basile PC

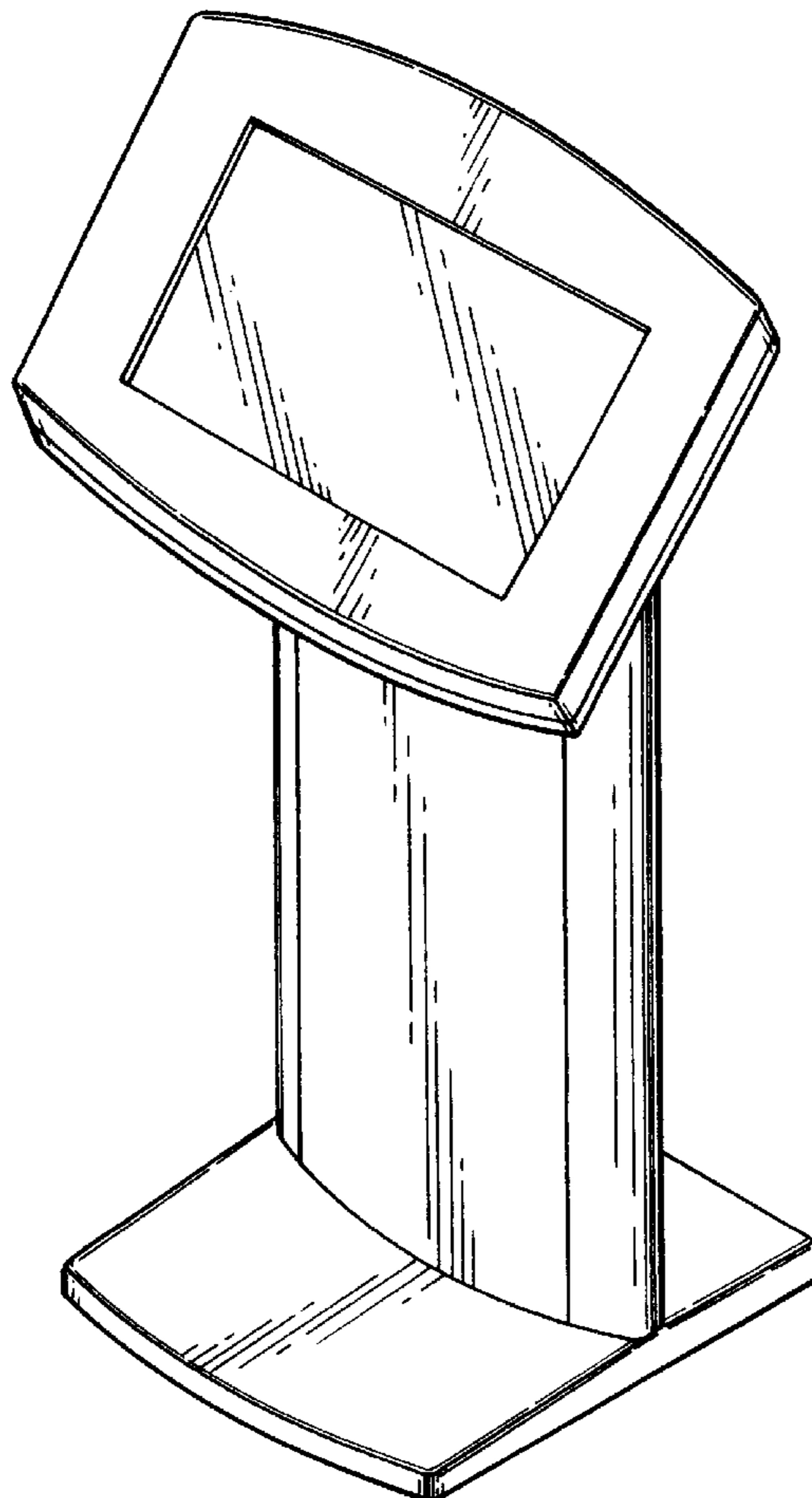
[57] **CLAIM**

The ornamental design for an information display unit, as shown and described.

DESCRIPTION

FIG. 1 is a front view of the information display unit; FIG. 2 is a rear view of the information display unit; FIG. 3 is a left side view of the information display unit; FIG. 4 is a right side view of the information display unit; FIG. 5 is a top plan view of the information display unit; and, FIG. 6 is a left front perspective view of the information display unit, and, FIG. 7 is a bottom view of the information display unit, and FIG. 7 is a bottom view of the information display unit.

1 Claim, 3 Drawing Sheets



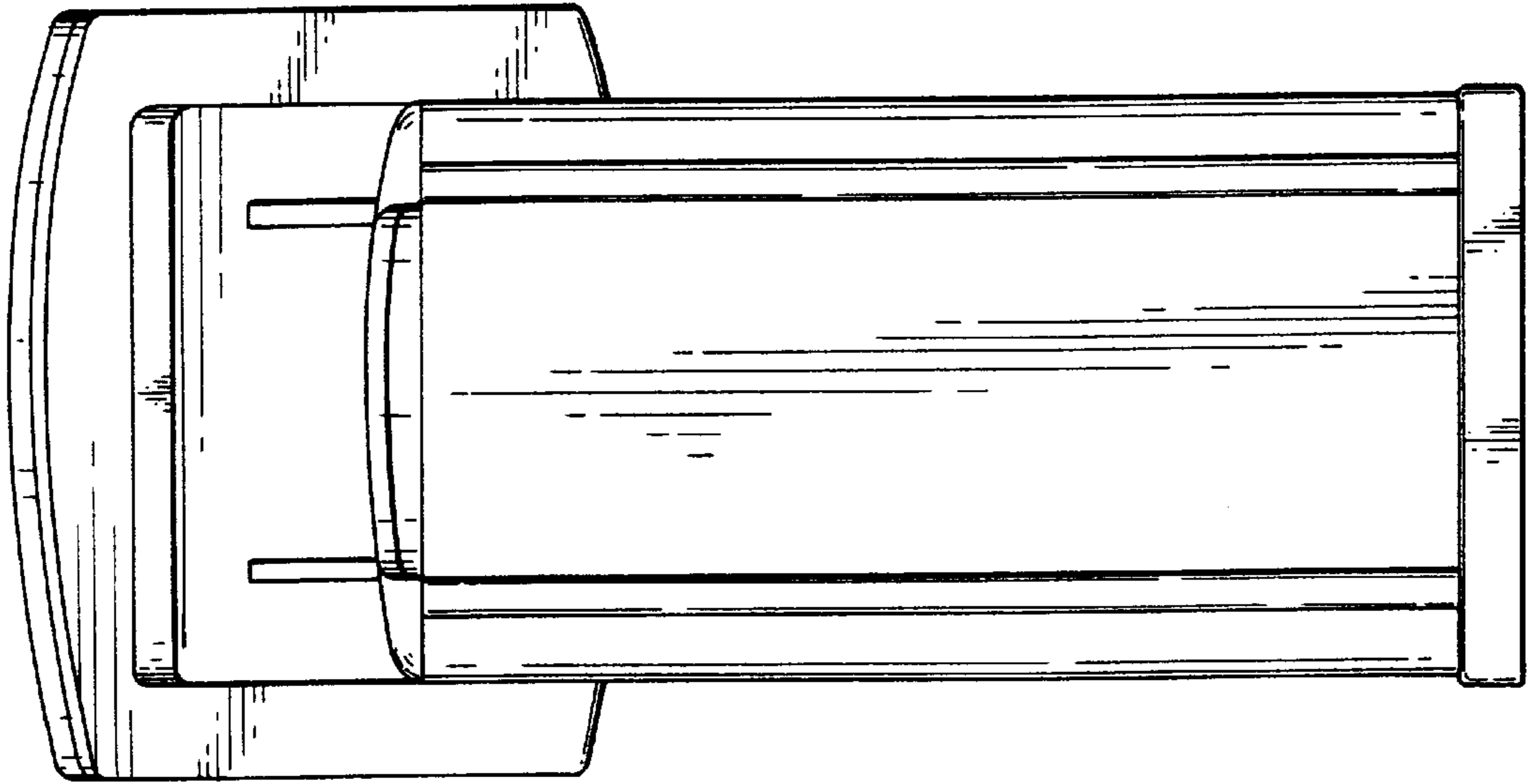


FIG-2

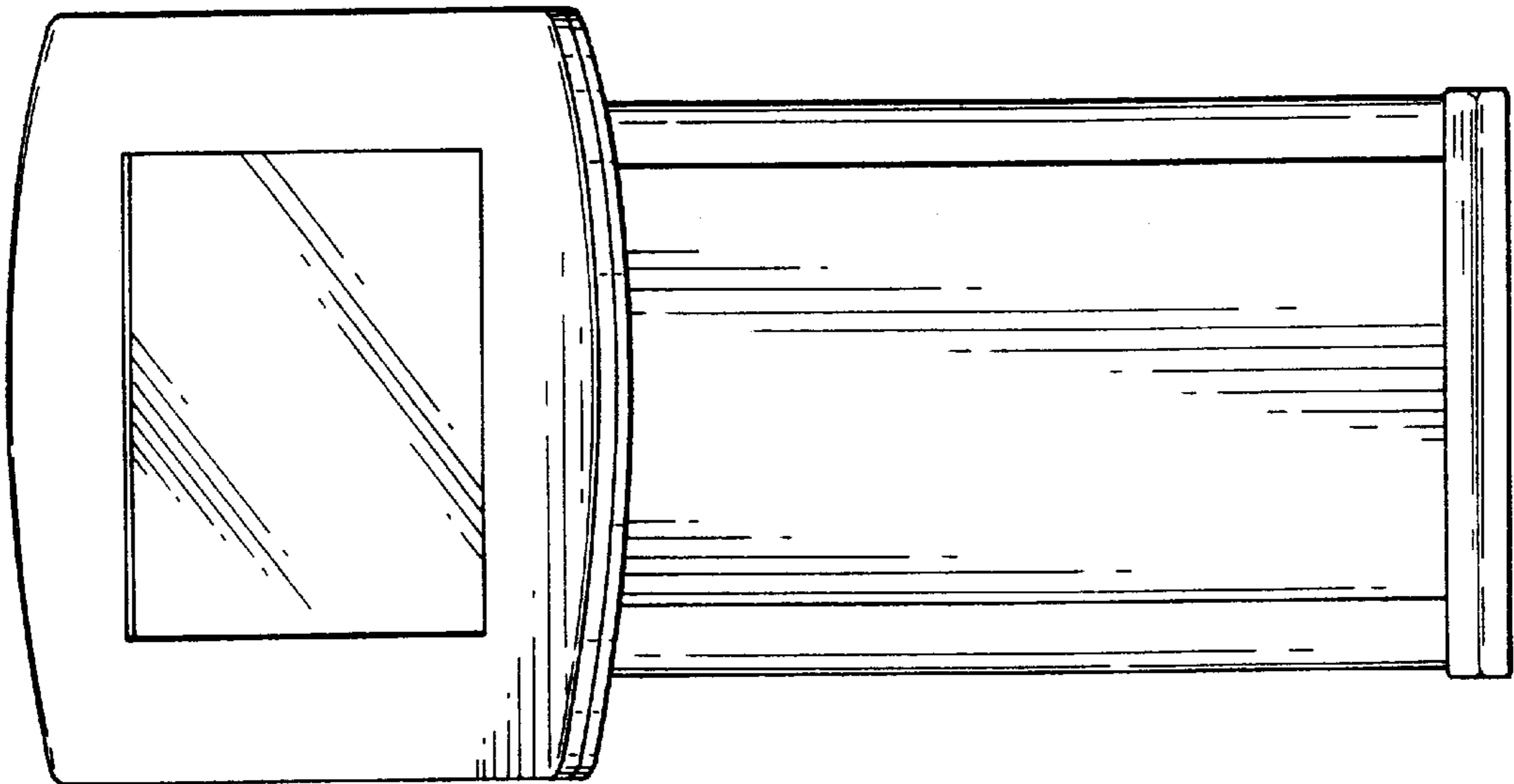


FIG-1

FIG-4

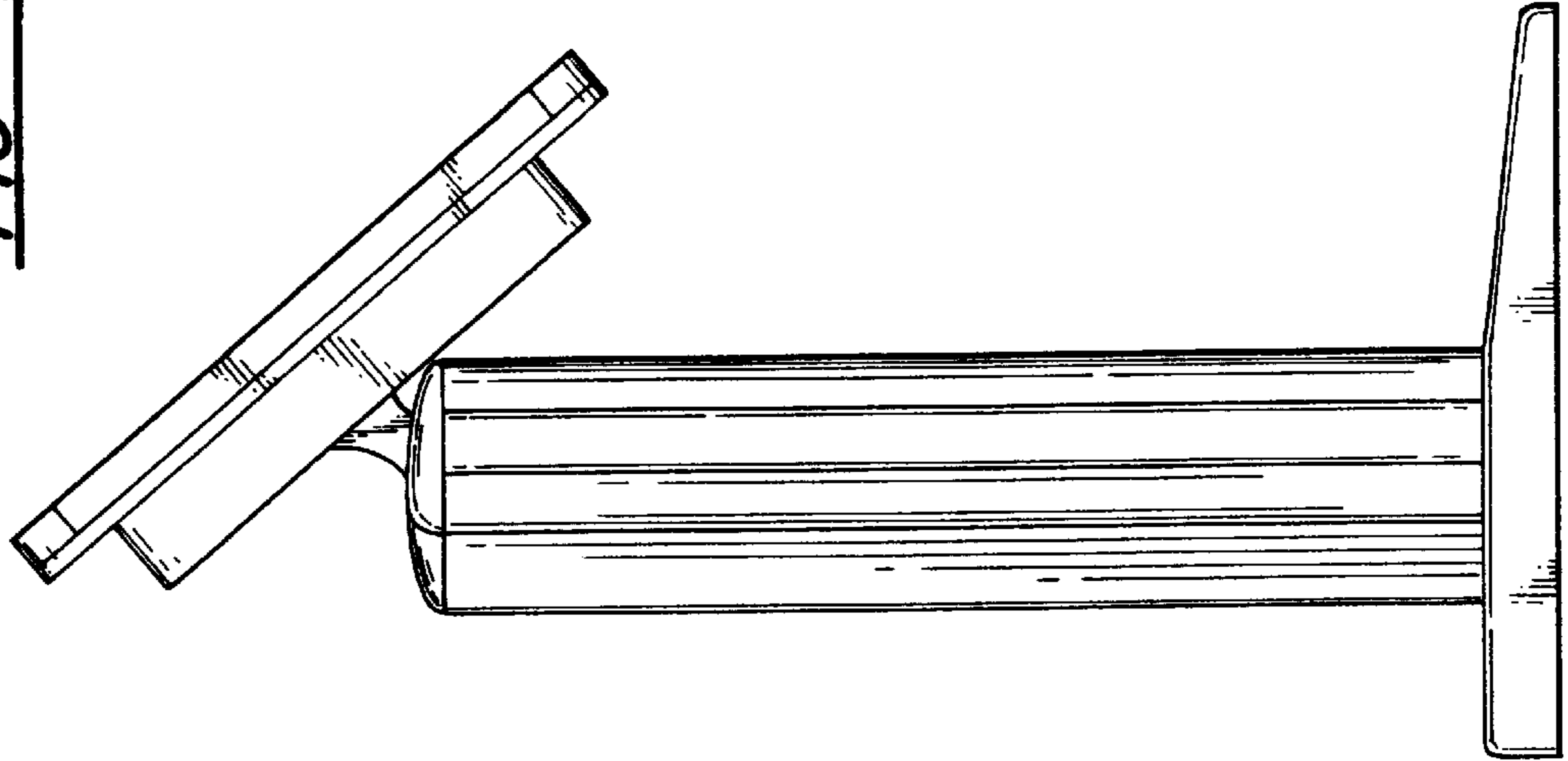
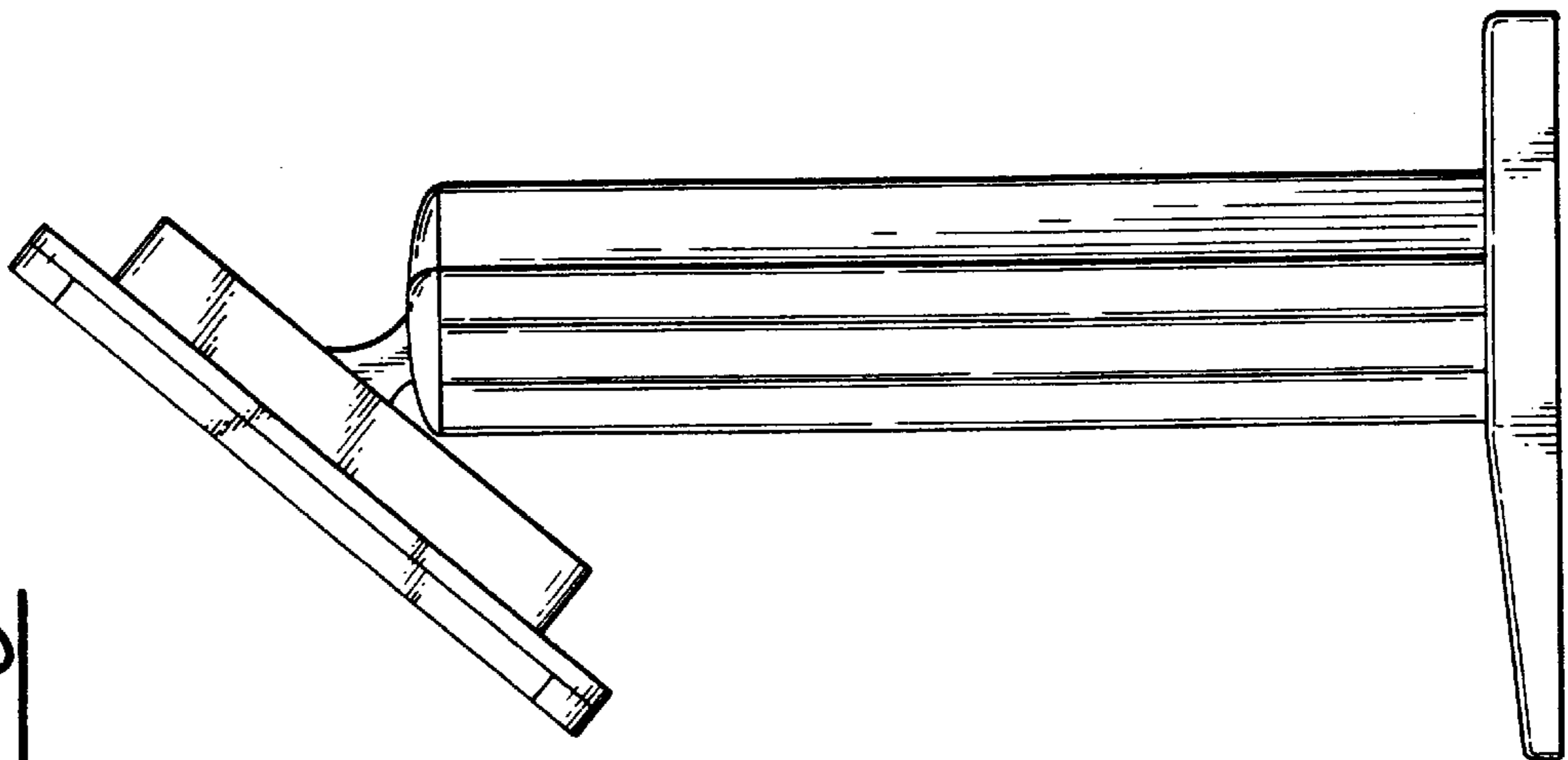


FIG-3



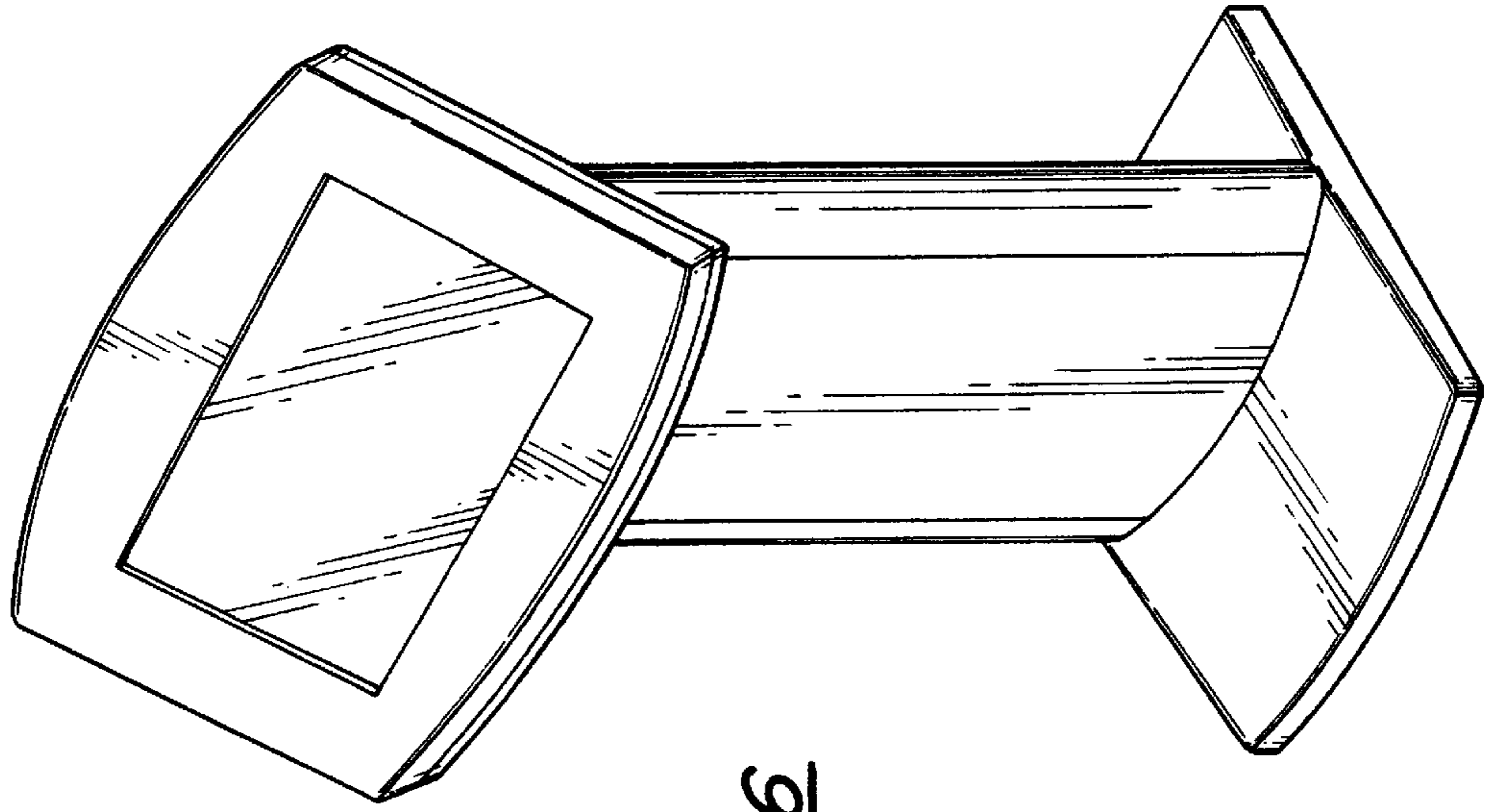


FIG-6

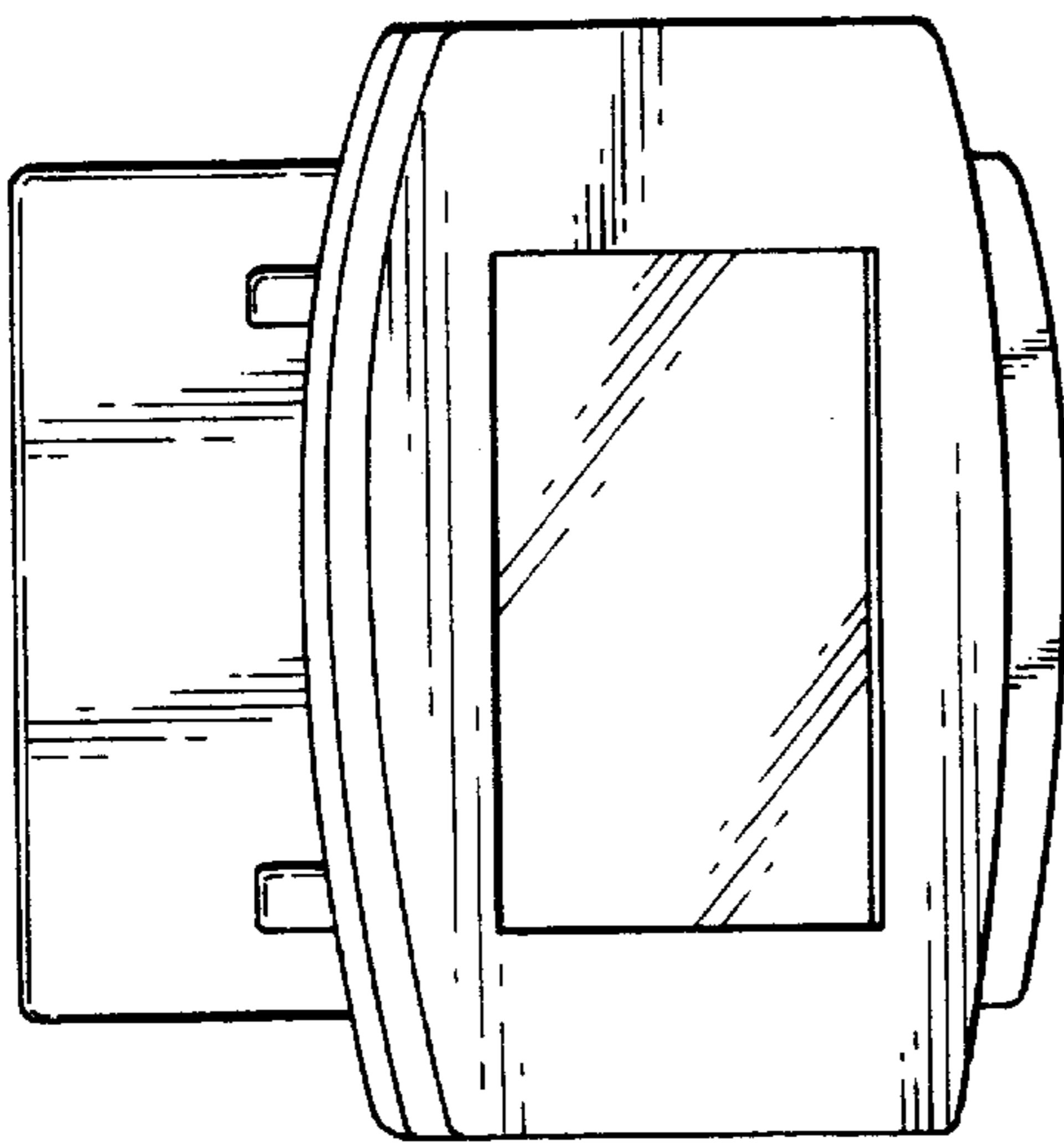


FIG-5

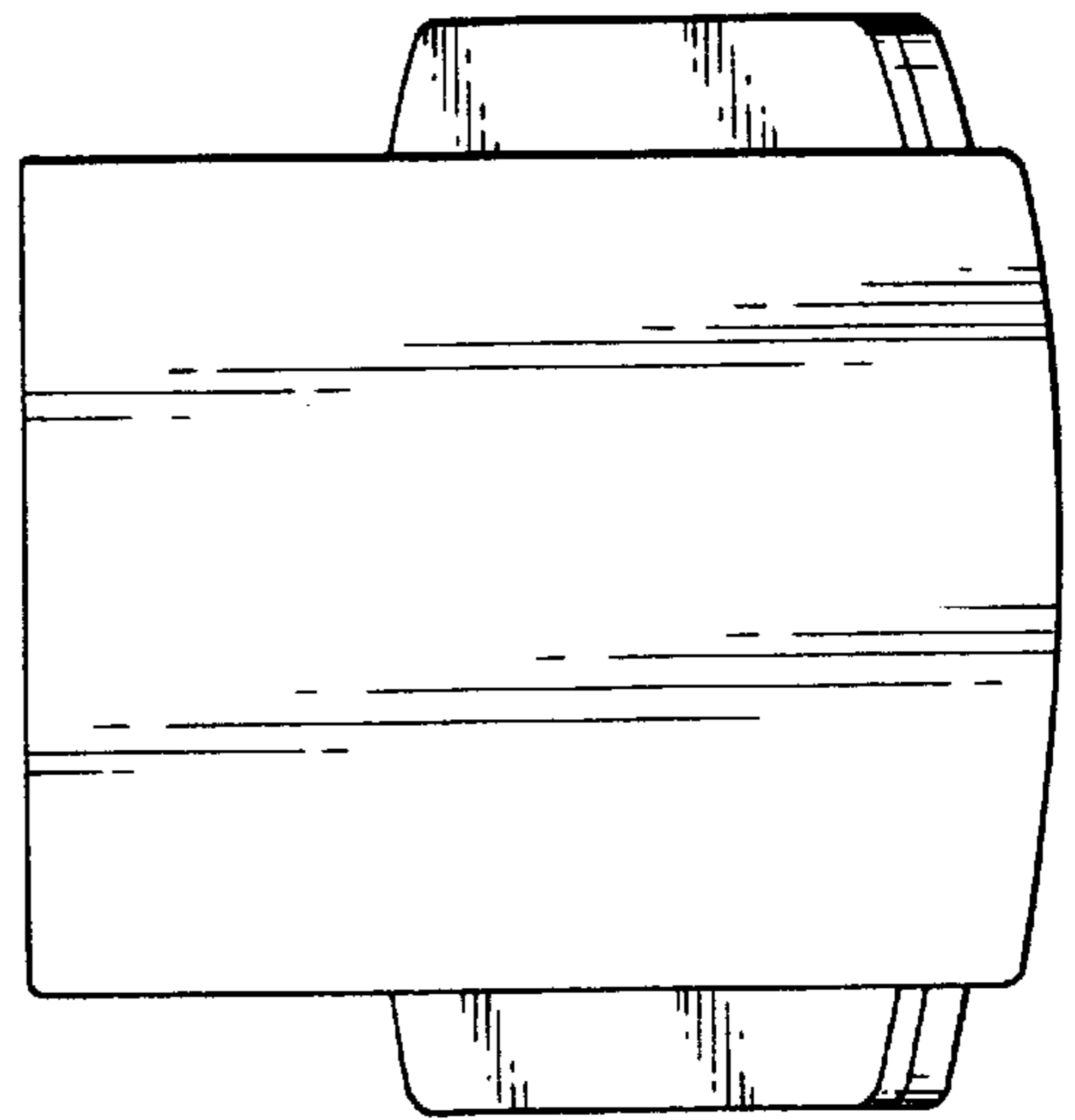


FIG-7

UNITED STATES PATENT AND TRADEMARK OFFICE
CERTIFICATE OF CORRECTION

PATENT NO. : Des 417,893 S
DATED : December 21, 1999
INVENTOR(S) : Hunter, et al.

Page 1 of 1

It is certified that error appears in the above-identified patent and that said Letters Patent is hereby corrected as shown below:

Title page,

Under heading "Assignee", please change "Cyber Frontiers International Limited" to --
Cyber Frontiers International (CFI) Limited --.

Signed and Sealed this

Twenty-third Day of October, 2001

Attest:

Nicholas P. Godici

Attesting Officer

NICHOLAS P. GODICI
Acting Director of the United States Patent and Trademark Office