



US00D417890S

United States Patent [19]

Joe et al.

[11] Patent Number: Des. 417,890

[45] Date of Patent: ** Dec. 21, 1999

[54] **COVER ASSEMBLY OF A BINDER WITH DOUBLE LAYER TRANSPARENT POCKETS**

[75] Inventors: **Laurel S. Joe**, Santa Monica; **Bruce Allen Carter**, Lake Forest; **Norman Yamamoto**, Yorba Linda, all of Calif.; **Cloyd Dixon Rauch, III**, Portland, Oreg.

[73] Assignee: **Avery Dennison Corporation**, Pasadena, Calif.

[**] Term: **14 Years**

[21] Appl. No.: **29/094,239**

[22] Filed: **Oct. 2, 1998**

[51] **LOC (6) Cl.** **19-04**

[52] **U.S. Cl.** **D19/26**

[58] **Field of Search** D19/26-27, 32-33; D6/301, 302; 402/46, 56, 79, 80 R; 281/3.1, 16, 22, 45; 40/124.01, 124.13, 775-776

[56] **References Cited**

U.S. PATENT DOCUMENTS

D. 182,105	2/1958	Chase .	
D. 212,148	8/1968	Dean .	
D. 225,791	1/1973	Nast .	
D. 266,771	11/1982	Wihlke .	
D. 273,744	5/1984	Castillo	D6/302
D. 350,365	9/1994	Kelley et al. .	
D. 351,949	11/1994	Tamas	D6/302
D. 391,406	3/1998	Field	D6/302
5,711,627	1/1998	Chapman	402/3
5,720,564	2/1998	Winzen	402/3
5,876,143	3/1999	Ong	402/80 R X

Primary Examiner—Nelson C. Holtje
Attorney, Agent, or Firm—Oppenheimer Wolff & Donnelly LLP

[57] **CLAIM**

The ornamental cover assembly of a binder with double layer transparent pockets, as shown and described.

DESCRIPTION

FIG. 1 is a perspective view of an illustrative embodiment of my cover assembly of a binder with double layer transparent pockets;
 FIG. 2 is a front elevational view thereof;
 FIG. 3 is a top elevational view thereof;
 FIG. 4 is a bottom view thereof;
 FIG. 5 is a left side view thereof;
 FIG. 6 is a right side view thereof;
 FIG. 7 is a rear elevational view thereof;
 FIG. 8 is a cross-sectional view taken along lines 8—8 of FIG. 2;
 FIG. 9 is an exploded view thereof;
 FIG. 10 is a front elevational view of an alternative embodiment;
 FIG. 11 is a front elevational view of another alternative embodiment;
 FIG. 12 is a front elevational view of a further embodiment of the invention; and,
 FIG. 13 is a front elevational view of yet another embodiment of my cover assembly of a binder with double layer transparent pockets.

The broken line showing of portions of a binder is for illustrative purposes only and forms no part of the claimed design.

1 Claim, 11 Drawing Sheets

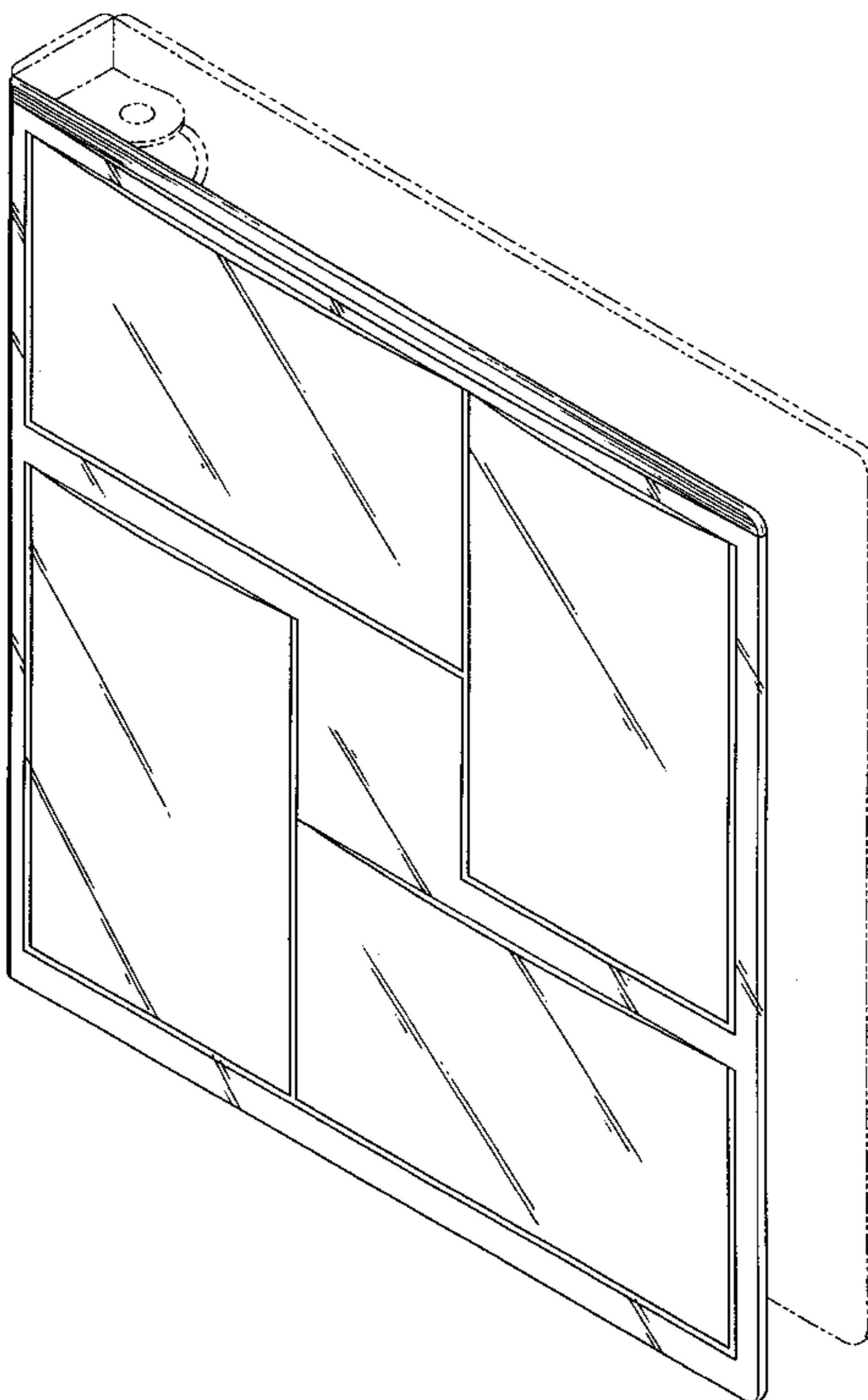


FIG. 1

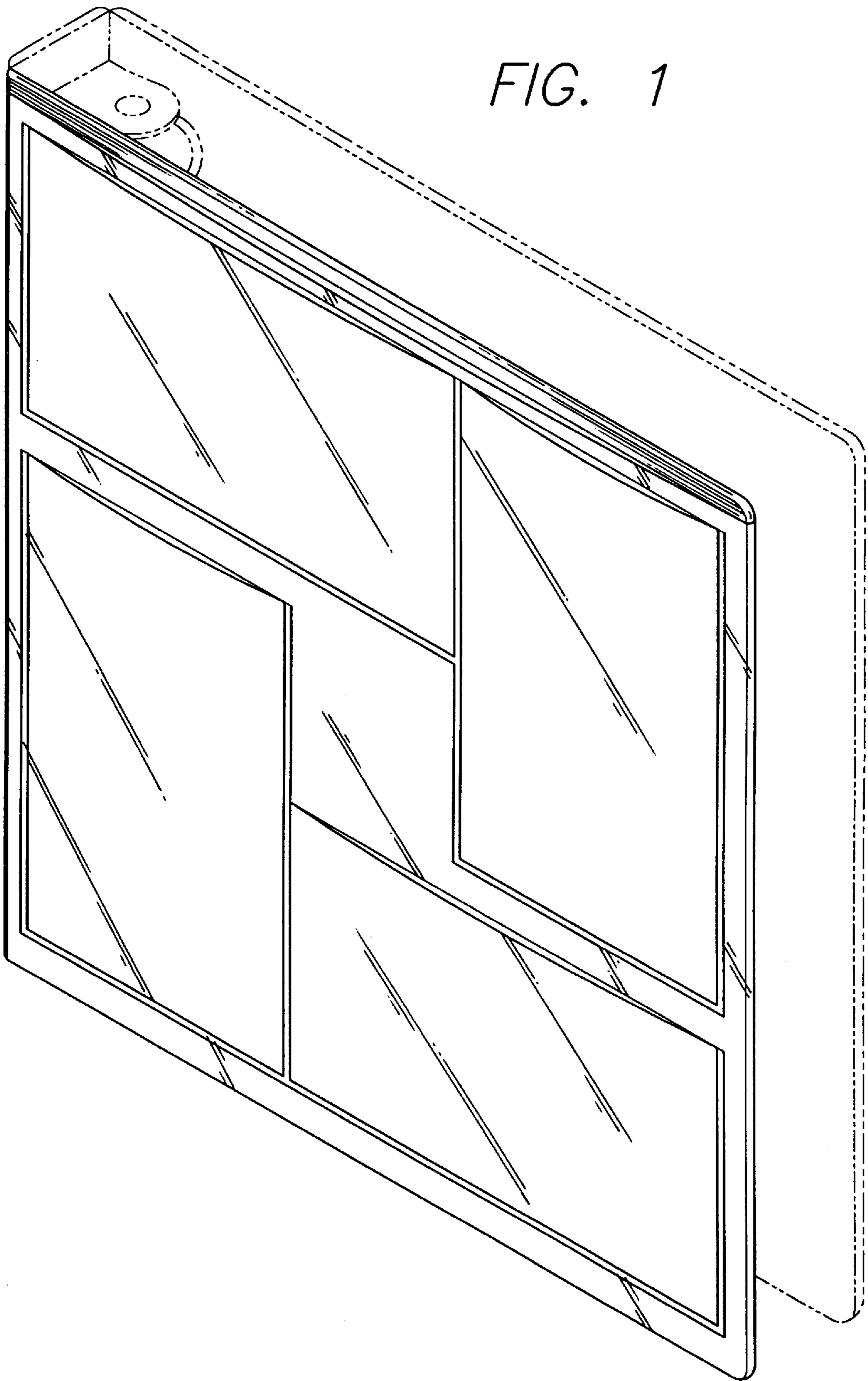


FIG. 2

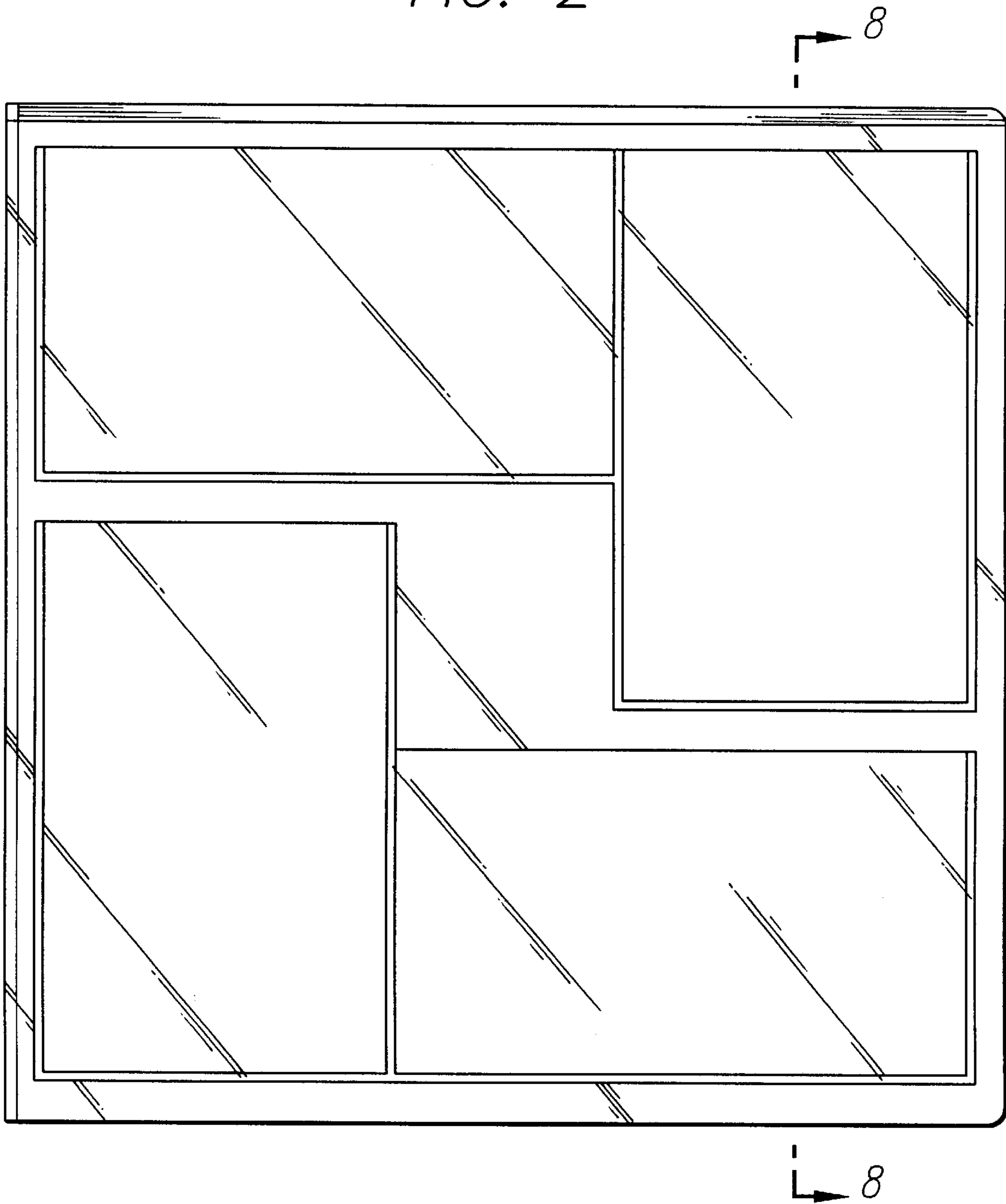


FIG. 3



FIG. 4

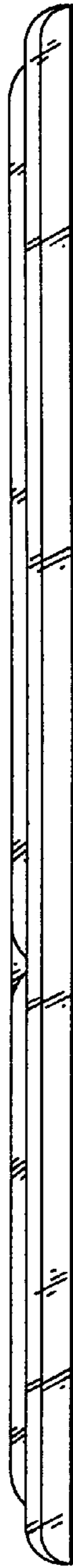




FIG. 5



FIG. 6

FIG. 7

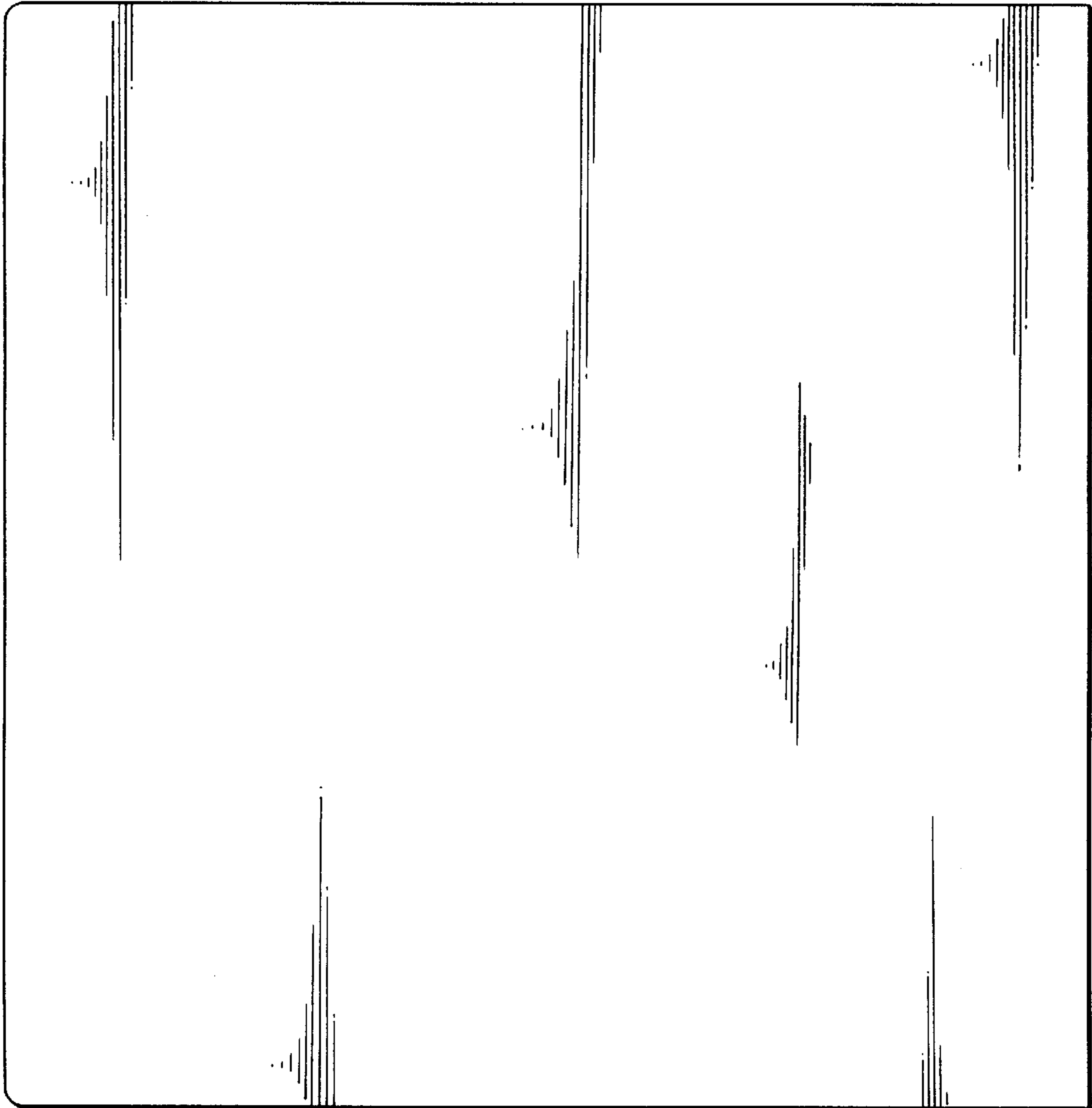
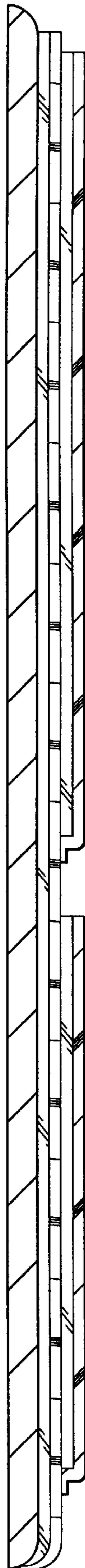


FIG. 8



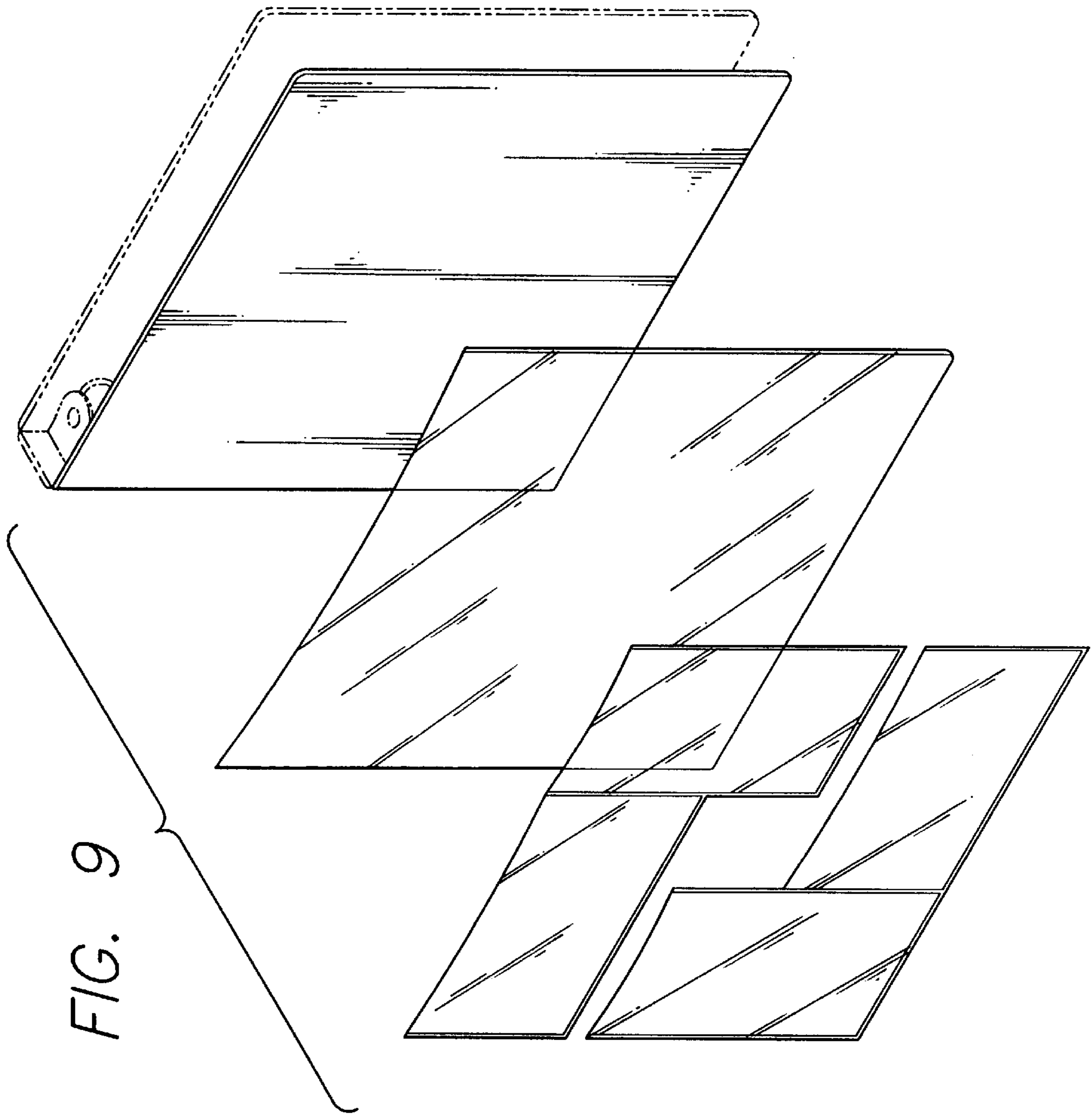


FIG. 10

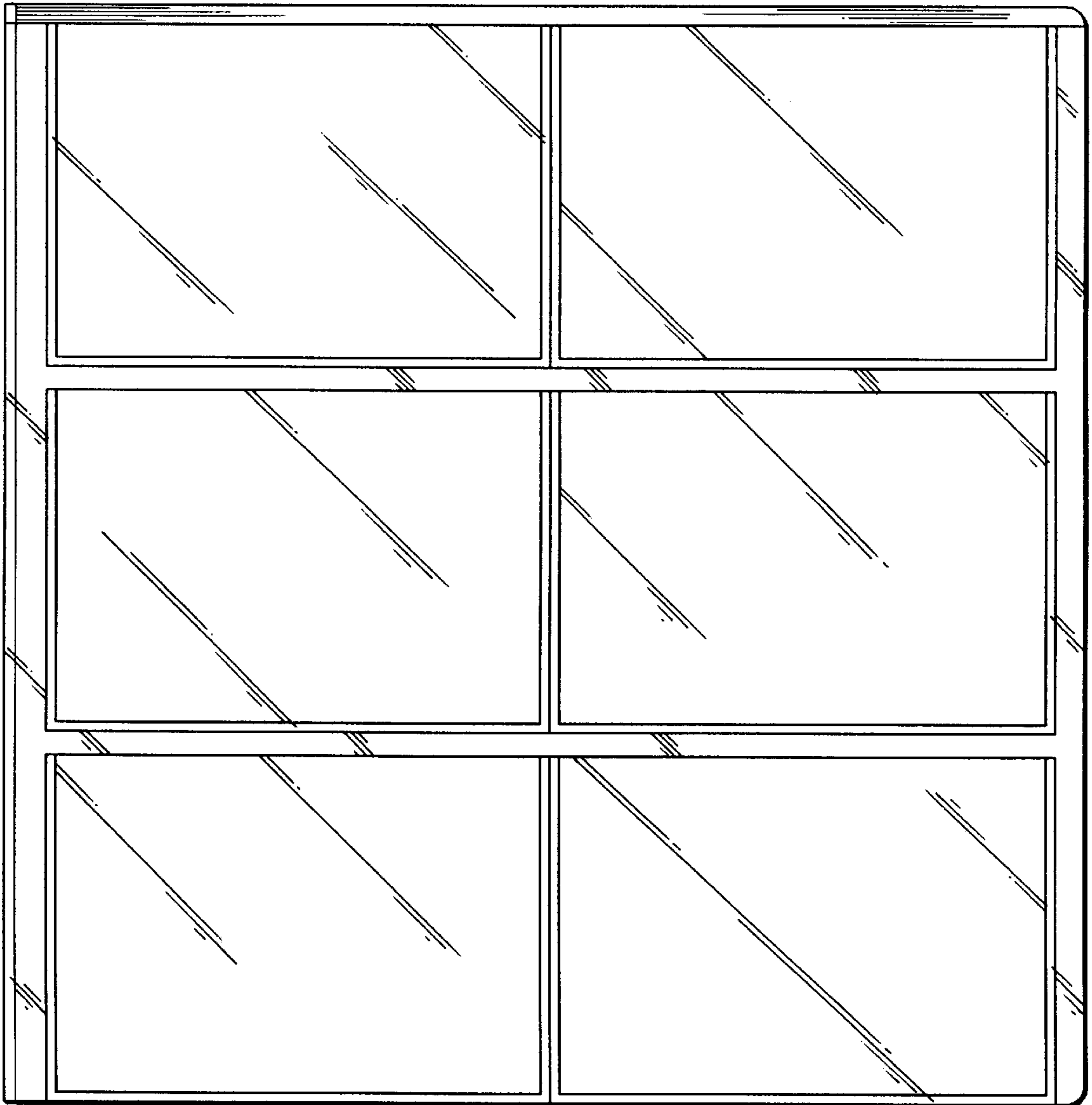


FIG. 11

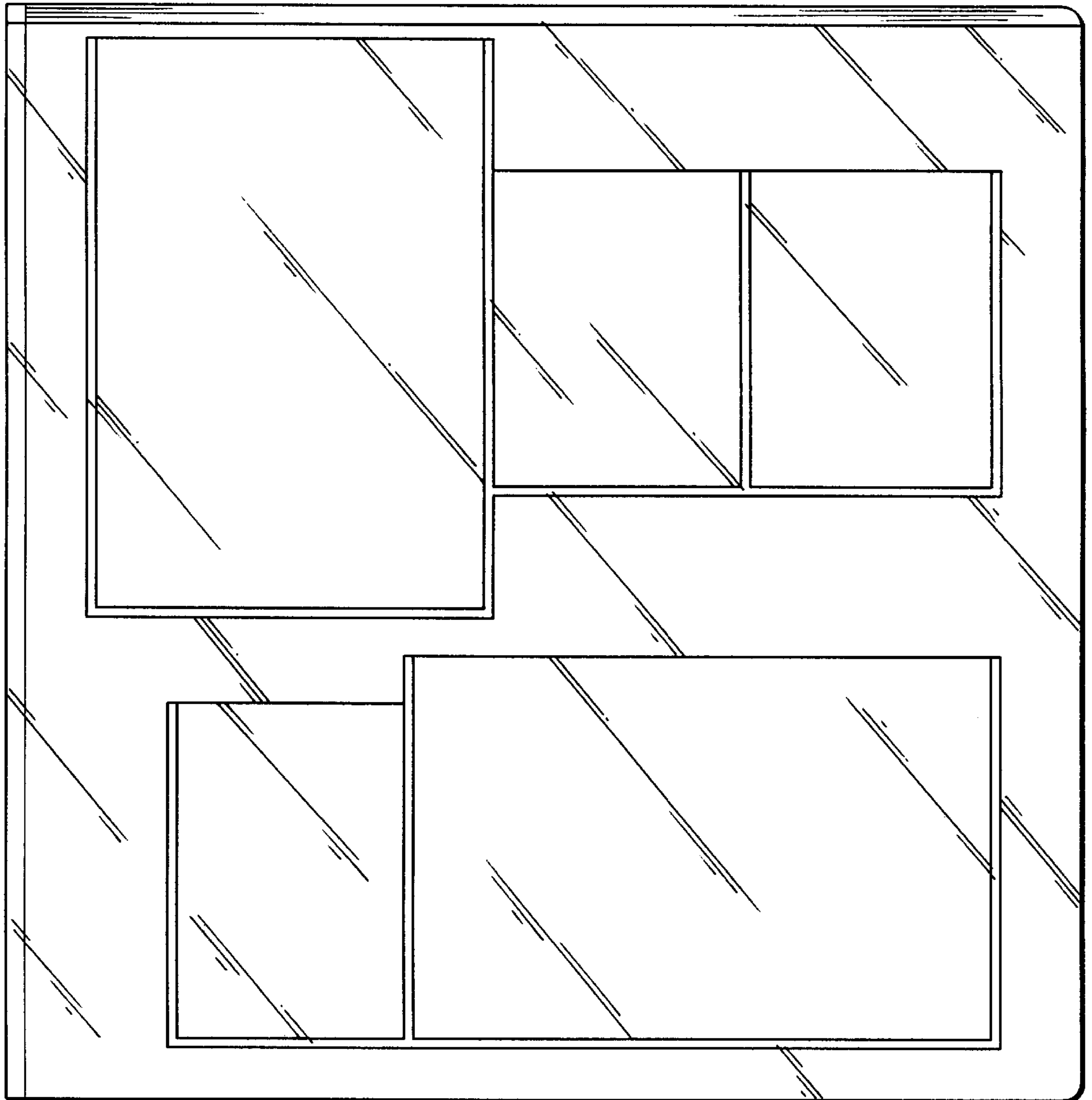


FIG. 12

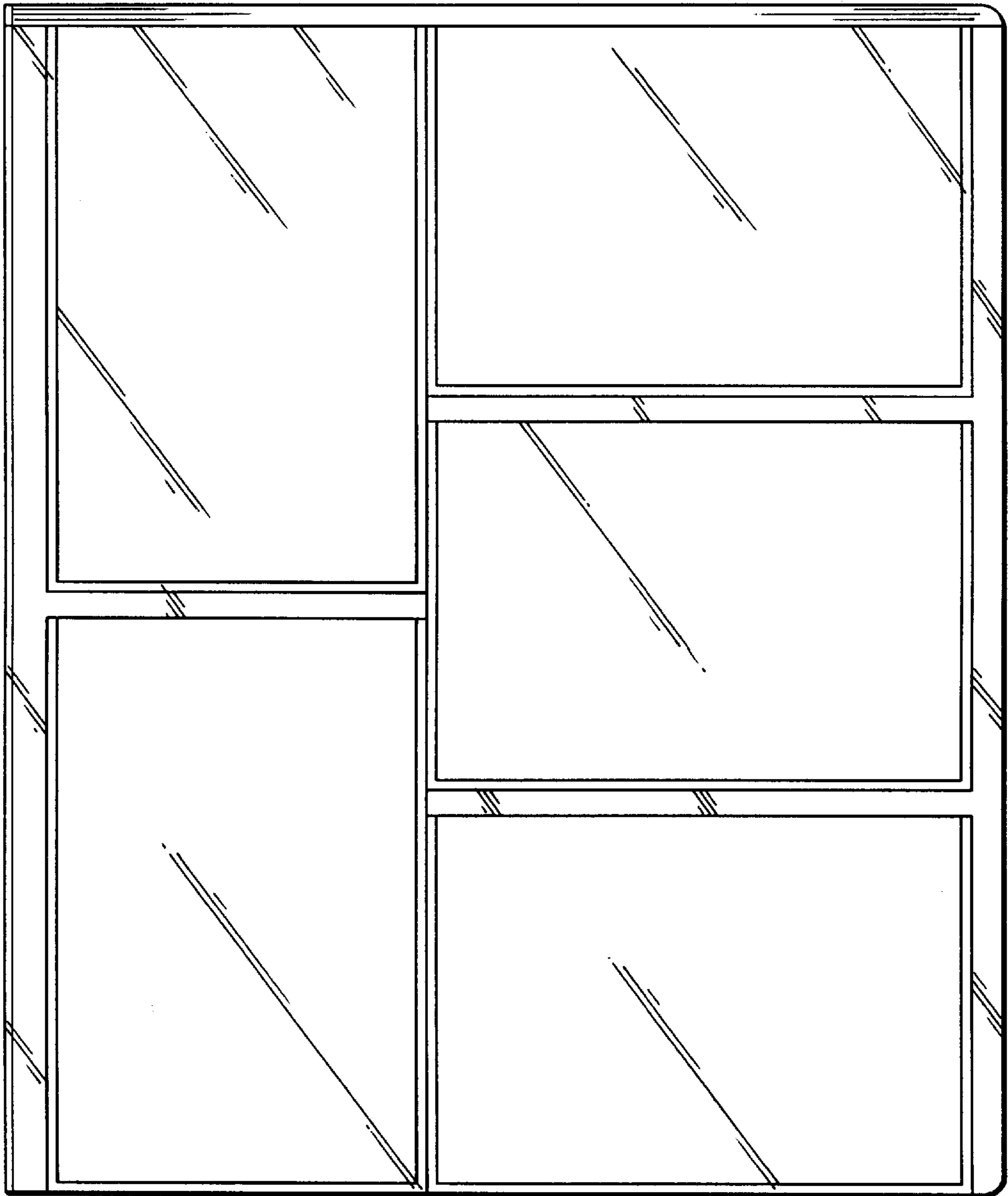


FIG. 13

