



US00D417889S

**United States Patent** [19]  
**French**

[11] **Patent Number: Des. 417,889**

[45] **Date of Patent: \*\* Dec. 21, 1999**

[54] **BOOK COVER**

5,219,437 6/1993 Moor et al. .... 281/29

[76] Inventor: **Suzanne French**, 873 Warwick Ave.,  
Warwick, R.I. 02888

*Primary Examiner*—Martie K. Holtje  
*Attorney, Agent, or Firm*—Barlow, Josephs & Holmes

[\*\*] Term: **14 Years**

[57] **CLAIM**

[21] Appl. No.: **29/092,441**

The ornamental design for a book cover, as shown and described.

[22] Filed: **Aug. 19, 1998**

**DESCRIPTION**

[51] **LOC (6) Cl.** ..... **19-04**

[52] **U.S. Cl.** ..... **D19/26; D19/86; D9/303**

[58] **Field of Search** ..... D19/26, 27, 32,  
D19/33, 75, 86, 90, 91, 99, 100; D3/303,  
900; 281/15.1, 21.1, 27, 29, 30, 31, 35,  
44, 45, 51; 402/73, 80 R

FIG. 1 is a perspective view of a book cover showing my new design, the strap and ring structure depicted by means of broken lines being for illustrative purposes only and forming no part of the claimed design.

FIG. 2 is a left side view thereof;

FIG. 3 is a right side view thereof;

FIG. 4 is a front end view thereof;

FIG. 5 is a rear end view thereof;

FIG. 6 is a top view thereof;

FIG. 7 is a bottom view thereof;

FIG. 8 is another perspective view thereof with the cover portion open revealing an interior book partition; and,

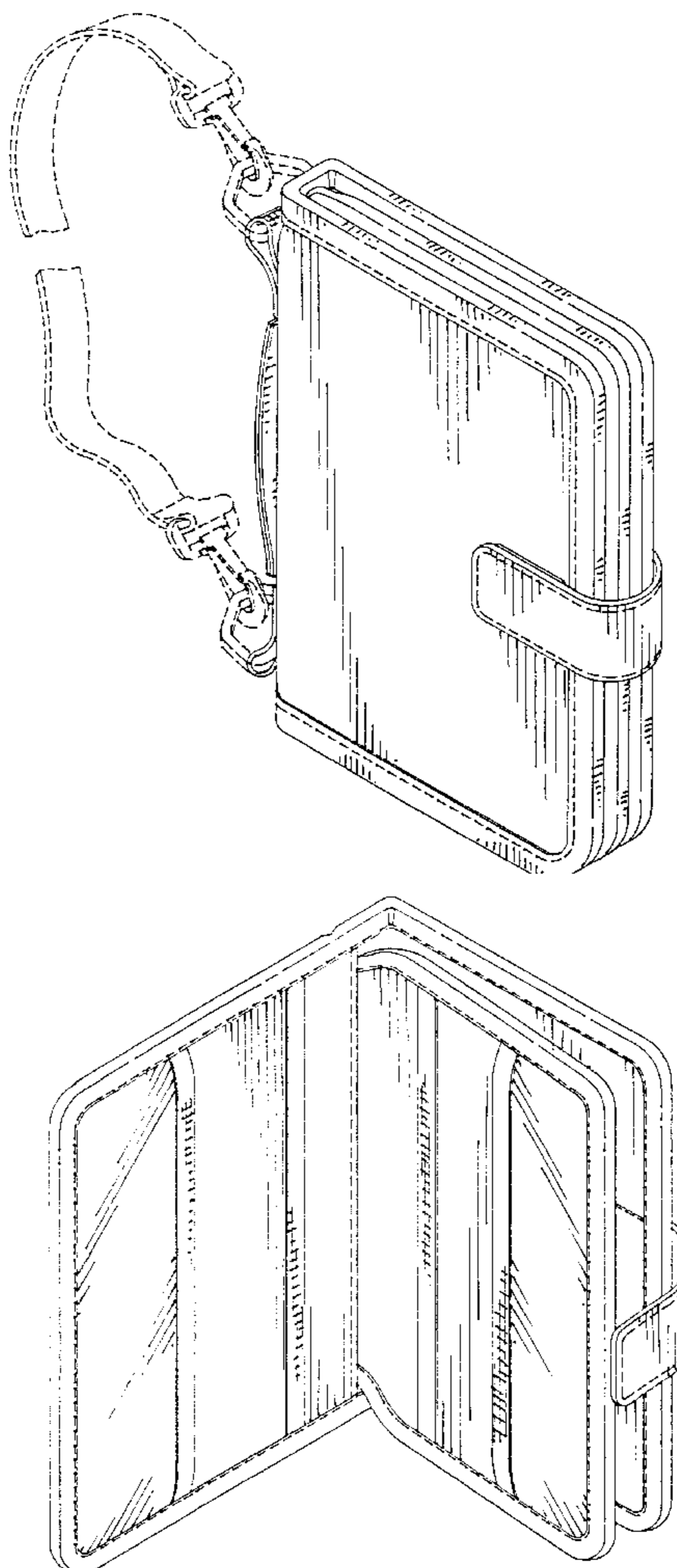
FIG. 9 is yet another perspective view thereof with the cover portion open and the book partition opened to show additional interior features of the design.

[56] **References Cited**

**U.S. PATENT DOCUMENTS**

D. 319,345	8/1991	Rayburn	.....	D3/251 X
D. 319,729	9/1991	Kogutt	.....	D3/299
D. 322,987	1/1992	Testro et al.	.....	D19/26
D. 352,604	11/1994	Johnson	.....	D3/303
D. 354,767	1/1995	Ruskin	.....	D19/26
D. 368,489	4/1996	Gray	.....	D19/26
D. 393,947	5/1998	Alves et al.	.....	D3/303
2,018,551	10/1935	Freling	.....	D19/26 X

**1 Claim, 4 Drawing Sheets**



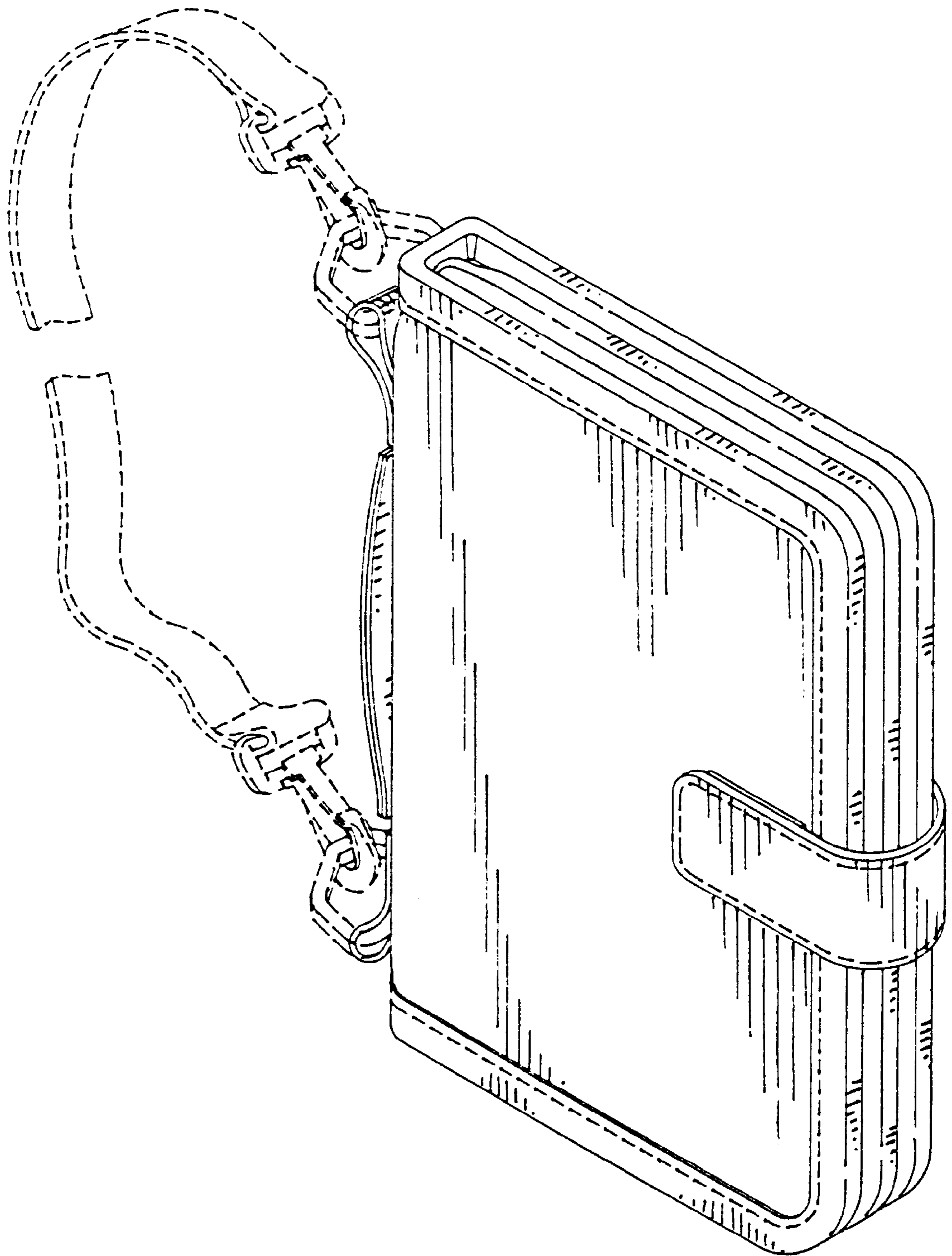


FIG. 1

FIG. 2

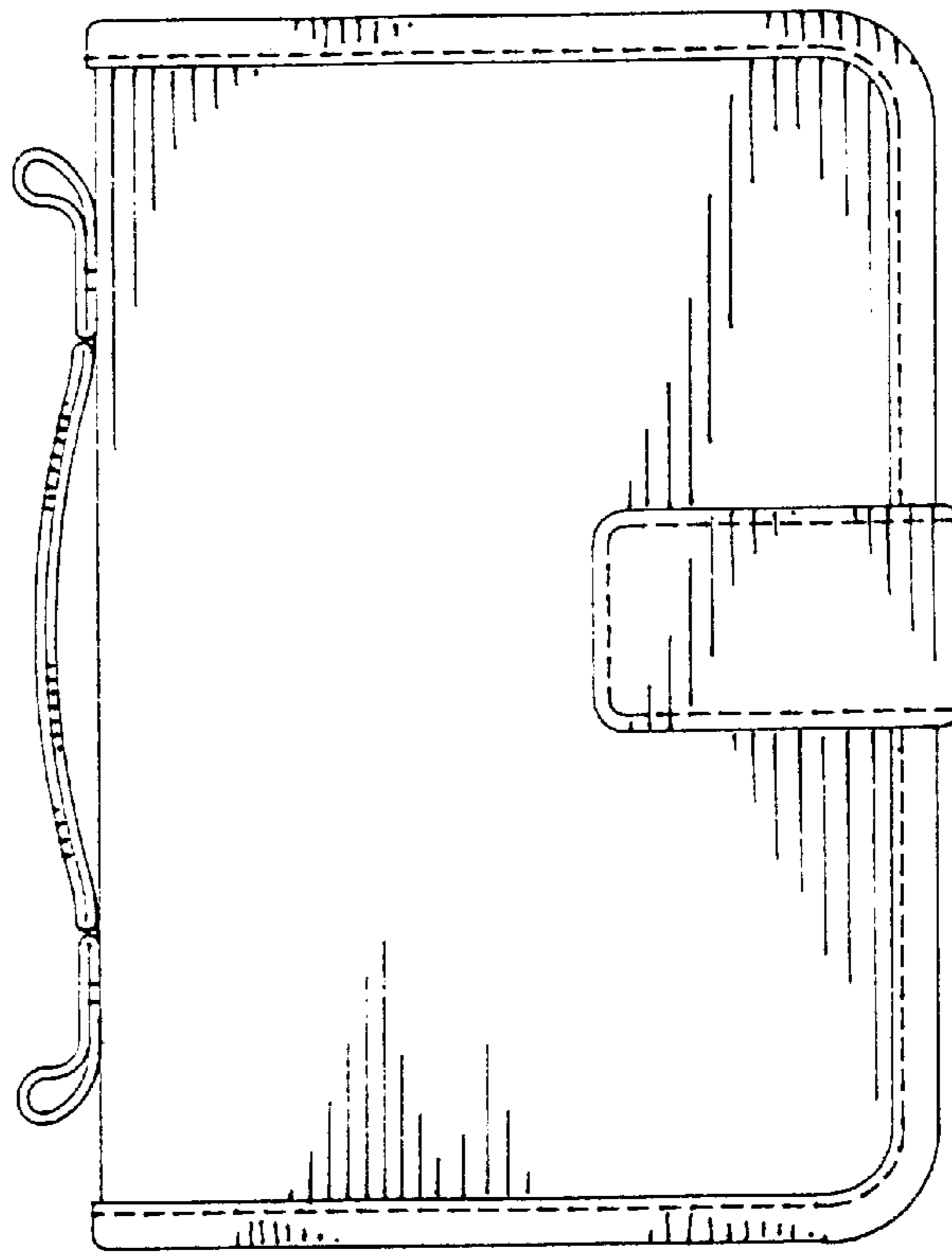
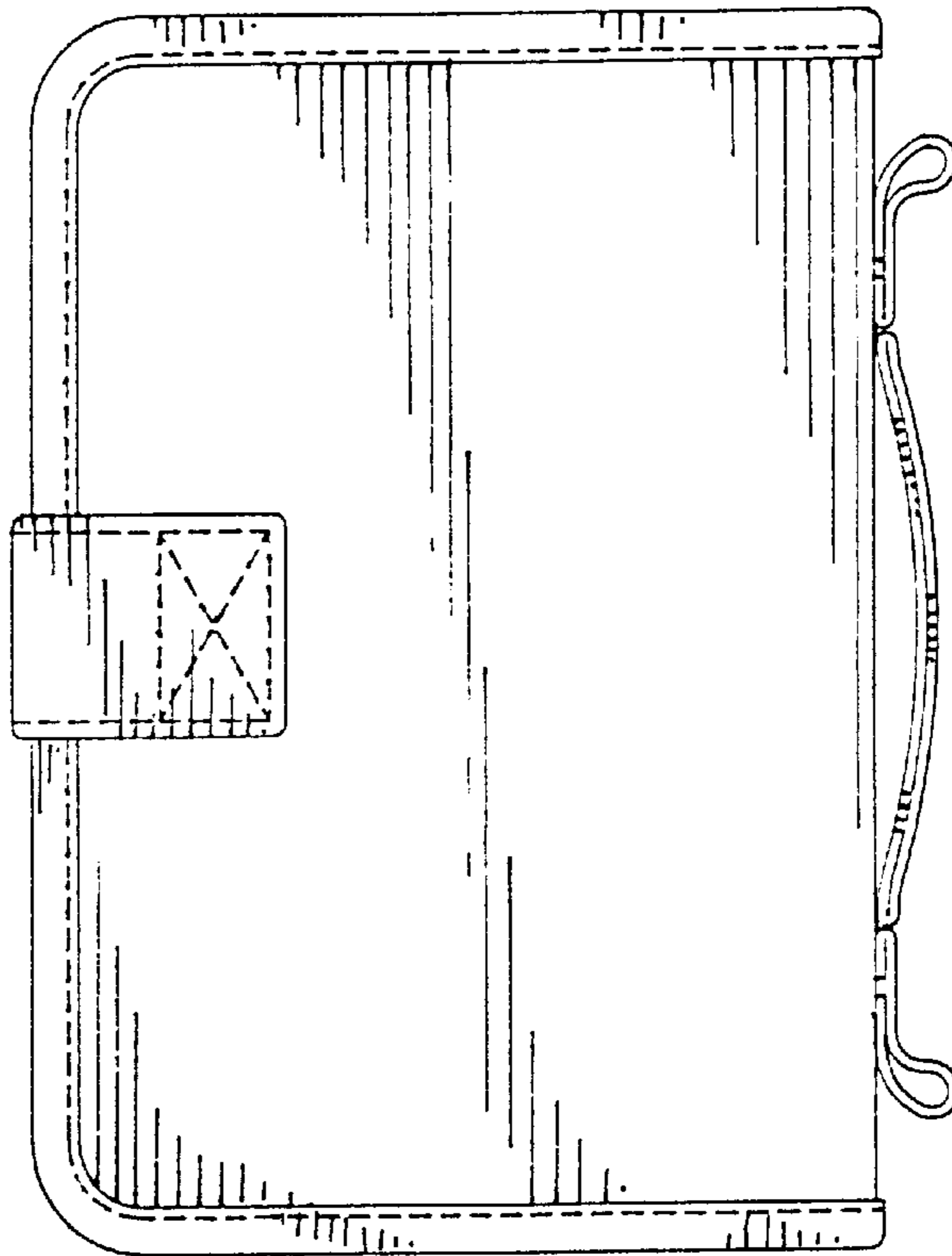


FIG. 3



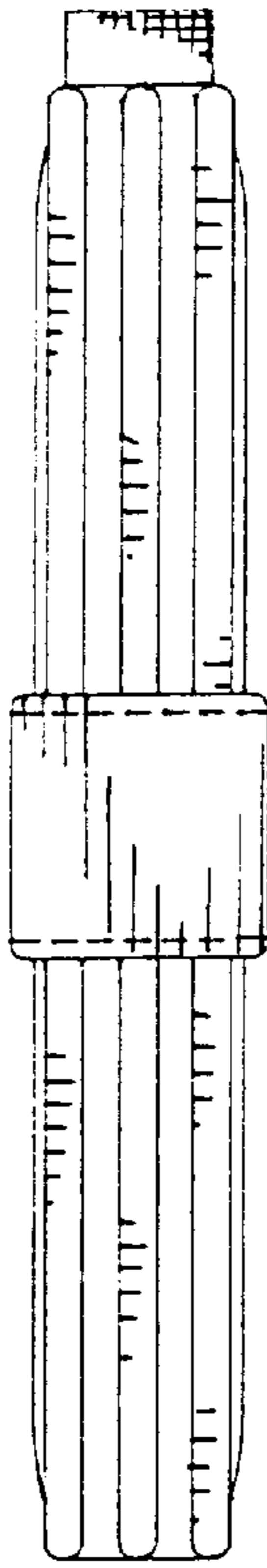


FIG. 4



FIG. 5

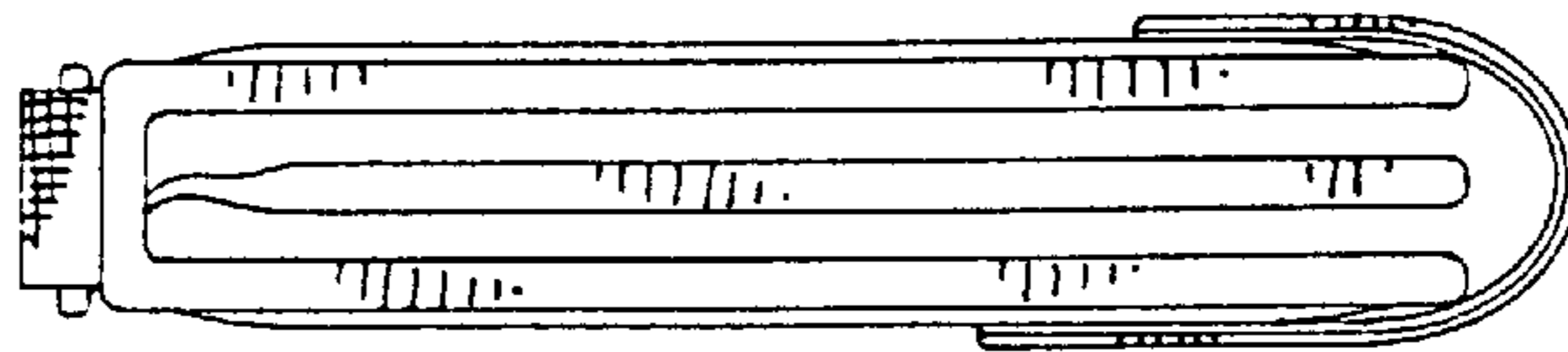


FIG. 6

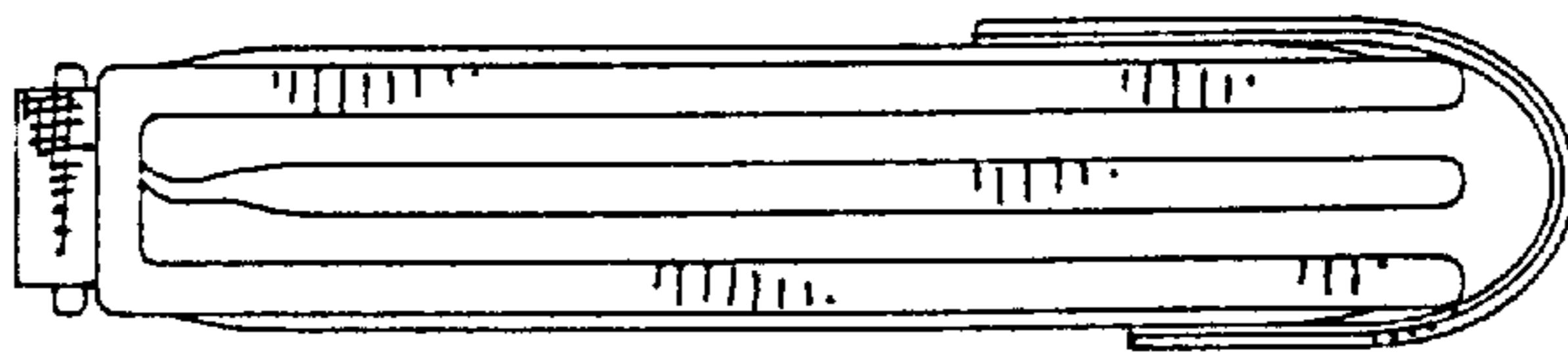


FIG. 7

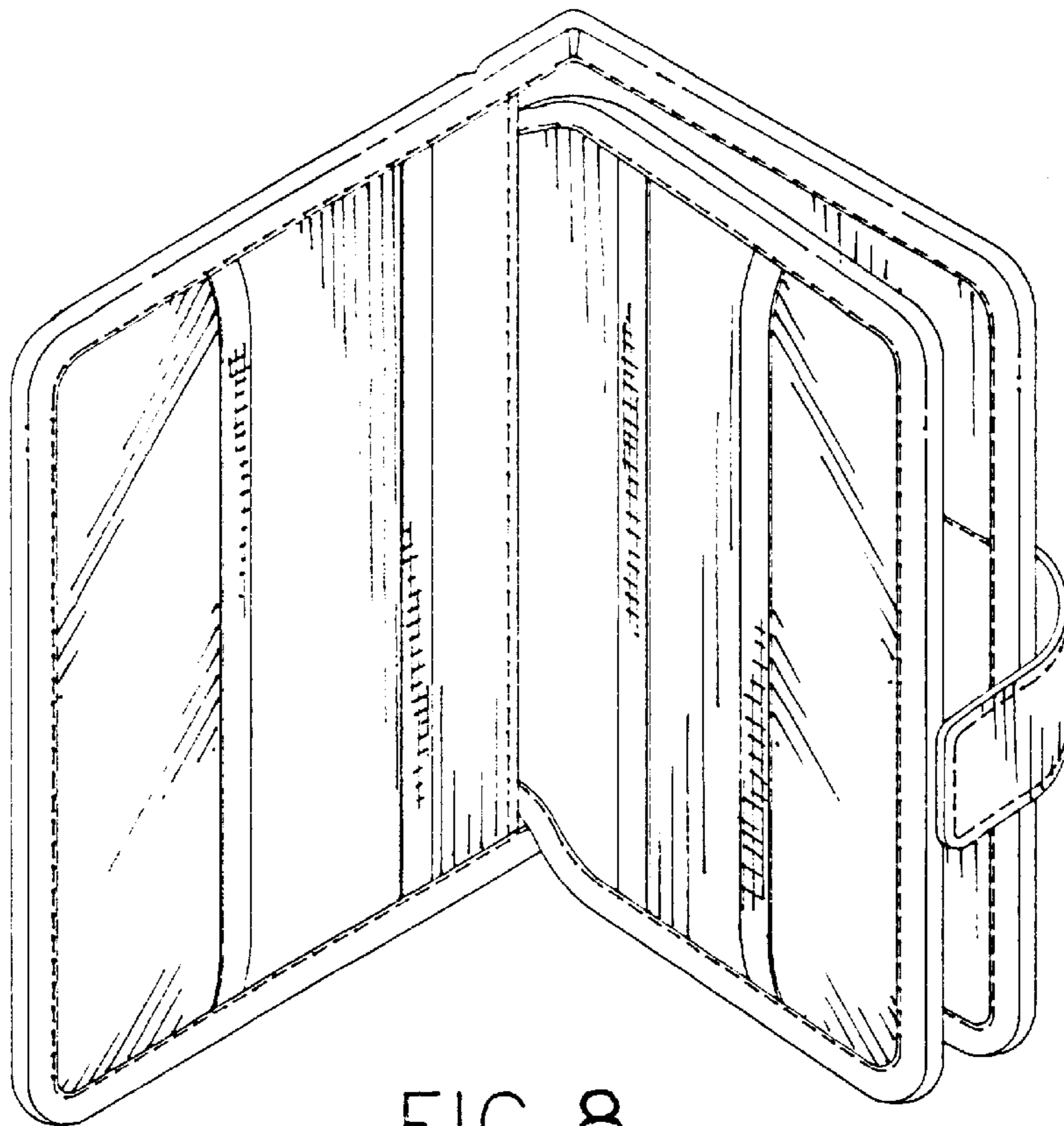


FIG. 8

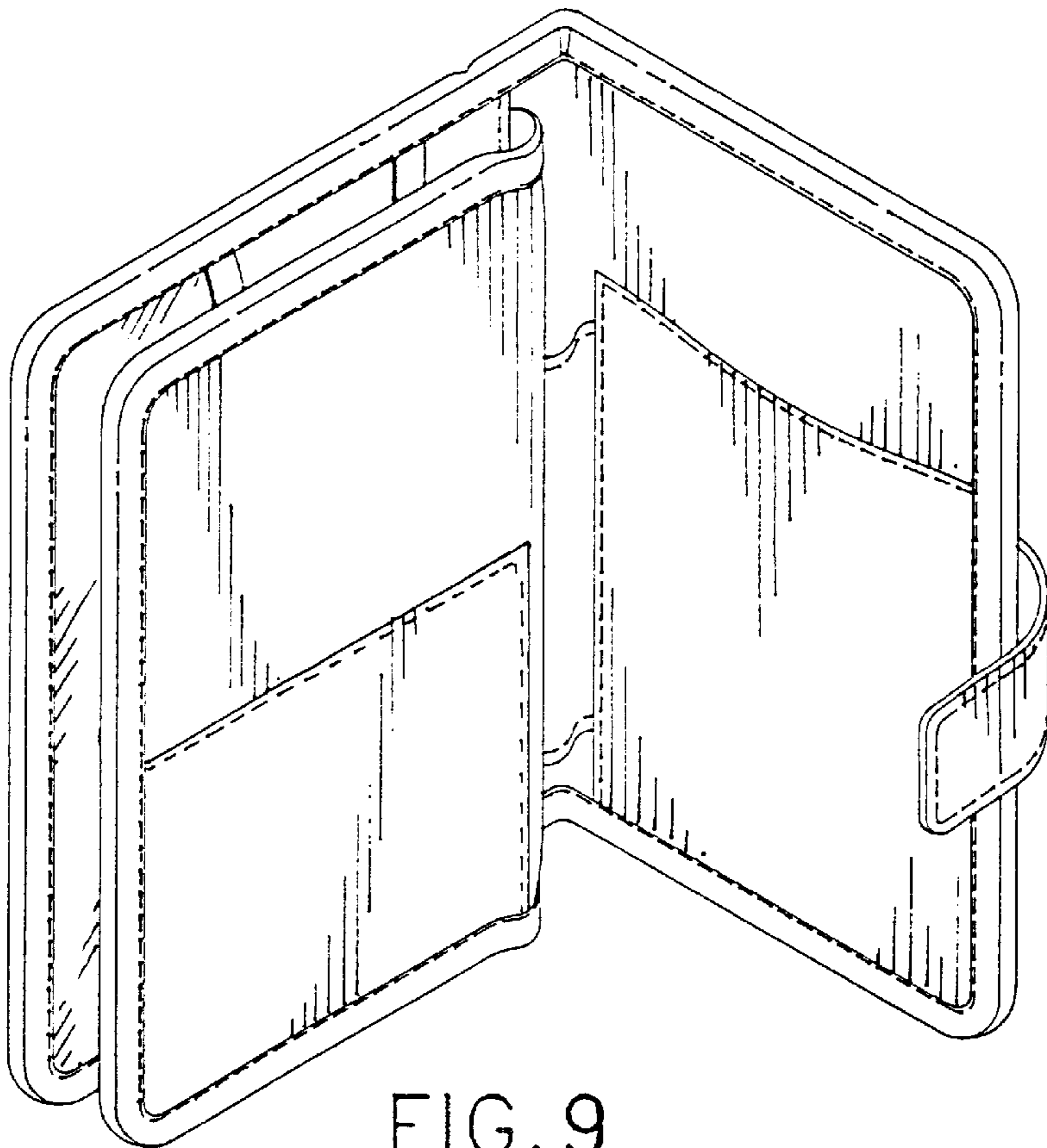


FIG. 9