



US00D417885S

# United States Patent [19] Boutin

[11] **Patent Number: Des. 417,885**

[45] **Date of Patent: \*\* Dec. 21, 1999**

[54] **SHOPPING CART CALCULATOR**

[76] Inventor: **Roland J Boutin**, 5335 NW. Hillsboro Blvd., Coconut Creek, Fla. 33673

[\*\*] Term: **14 Years**

[21] Appl. No.: **29/098,514**

[22] Filed: **Dec. 31, 1998**

[51] **LOC (6) Cl.** ..... **18-01**

[52] **U.S. Cl.** ..... **D18/7**

[58] **Field of Search** ..... D18/6, 7, 11; D14/100, D14/115, 106; 364/705.01, 705.06, 705.07, 706-710; 340/700, 711

[56] **References Cited**

**U.S. PATENT DOCUMENTS**

- D. 351,405 10/1994 Hood et al. .... D18/7
- D. 351,406 10/1994 Hood et al. .... D18/7
- D. 351,408 10/1994 Hood et al. .... D18/7
- D. 393,631 4/1998 Yotukura ..... D18/7 X

*Primary Examiner*—Caron D. Veynar

[57] **CLAIM**

The ornamental design for a shopping cart calculator, as shown.

**DESCRIPTION**

FIG. 1 is a top plan view of the shopping cart calculator of the present invention;

FIG. 2 is a bottom plan view of the shopping cart calculator of FIG. 1;

FIG. 3 is a right side elevational view of the shopping cart calculator of FIG. 1;

FIG. 4 is a left side elevational view of the shopping cart calculator of FIG. 1;

FIG. 5 is a back elevational view of the shopping cart calculator of FIG. 1 drawn on an enlarged scale; and,

FIG. 6 is a front elevational view of the shopping cart calculator of FIG. 1 drawn on an enlarged scale.

**1 Claim, 3 Drawing Sheets**

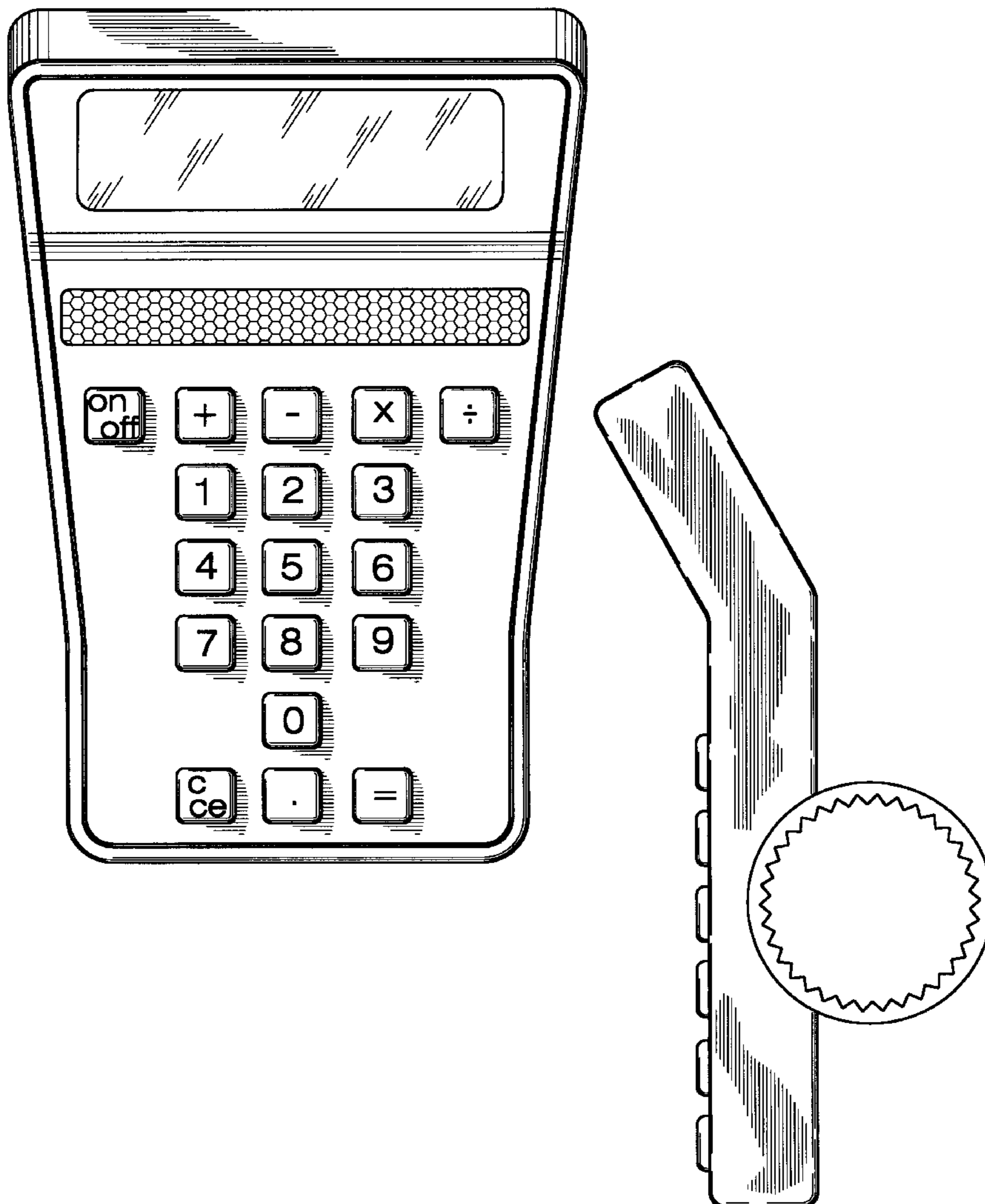


FIG. 1

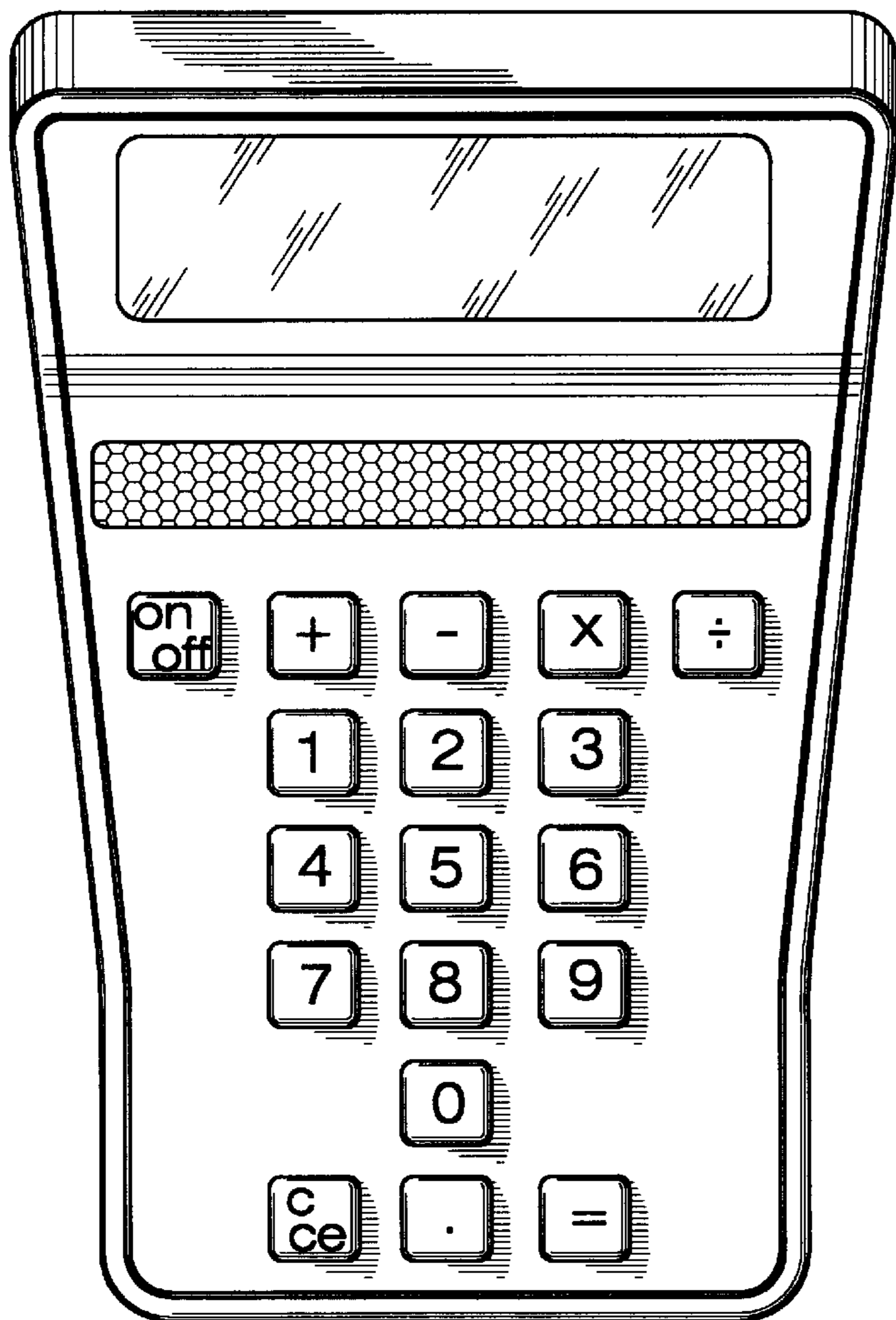


FIG. 4

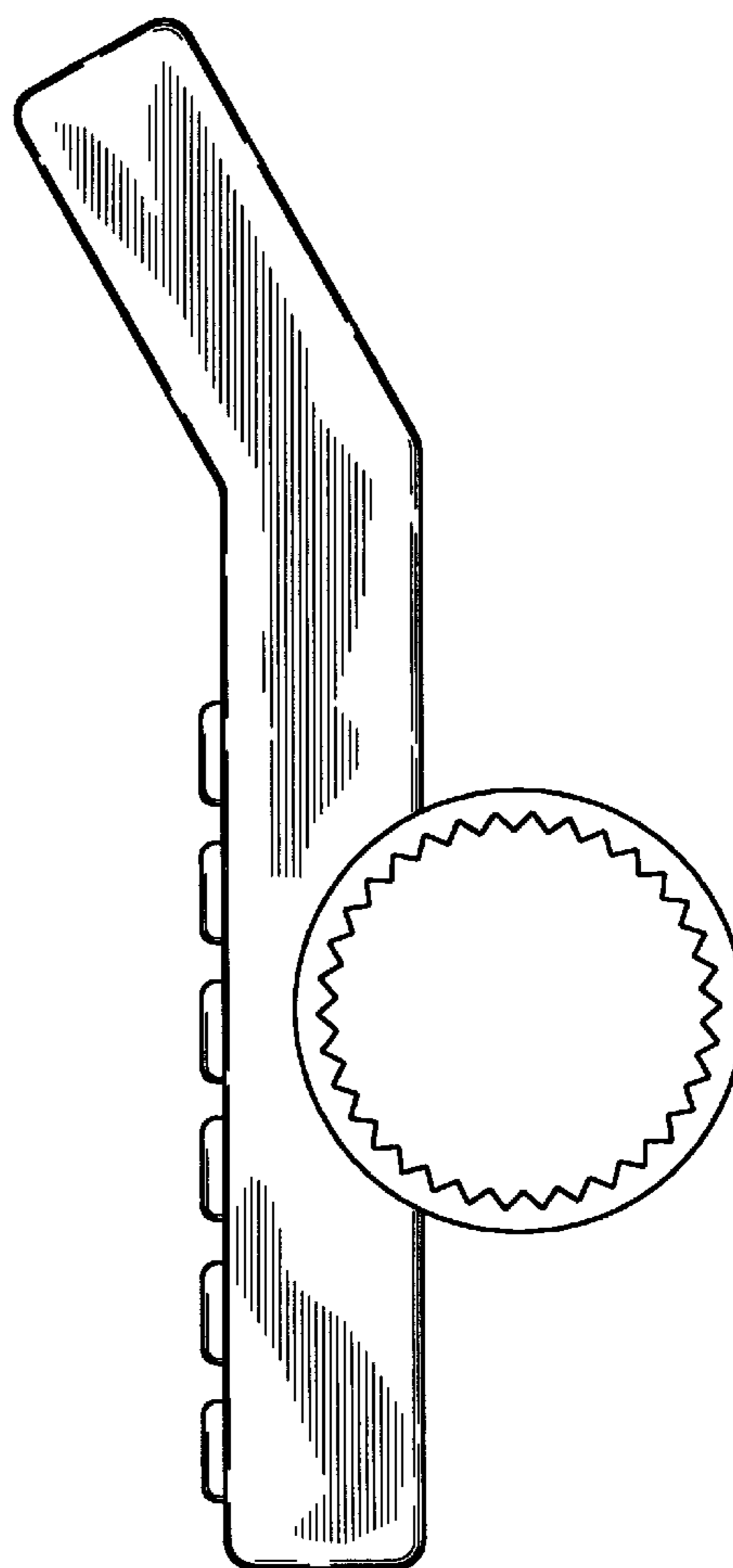


FIG. 3

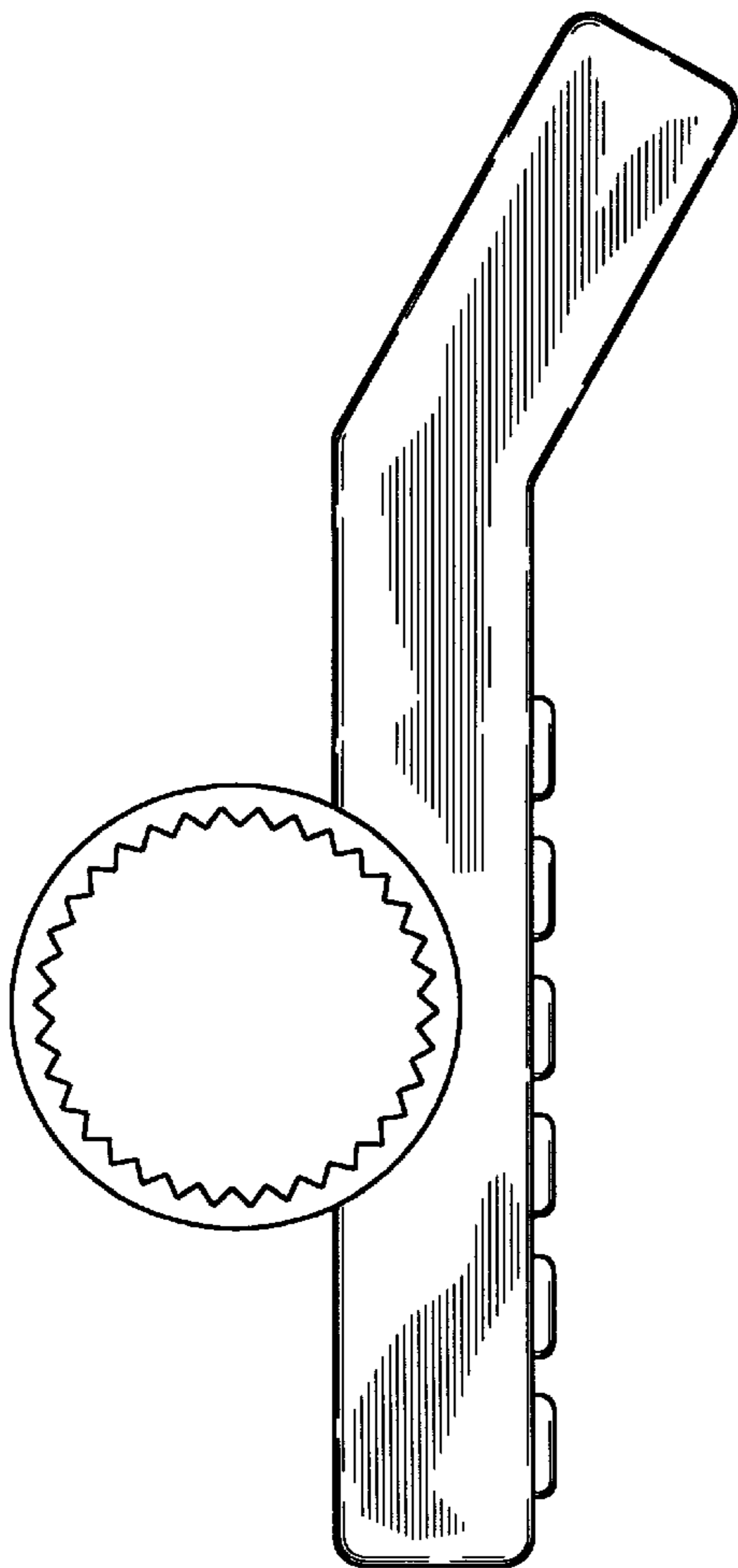


FIG. 2

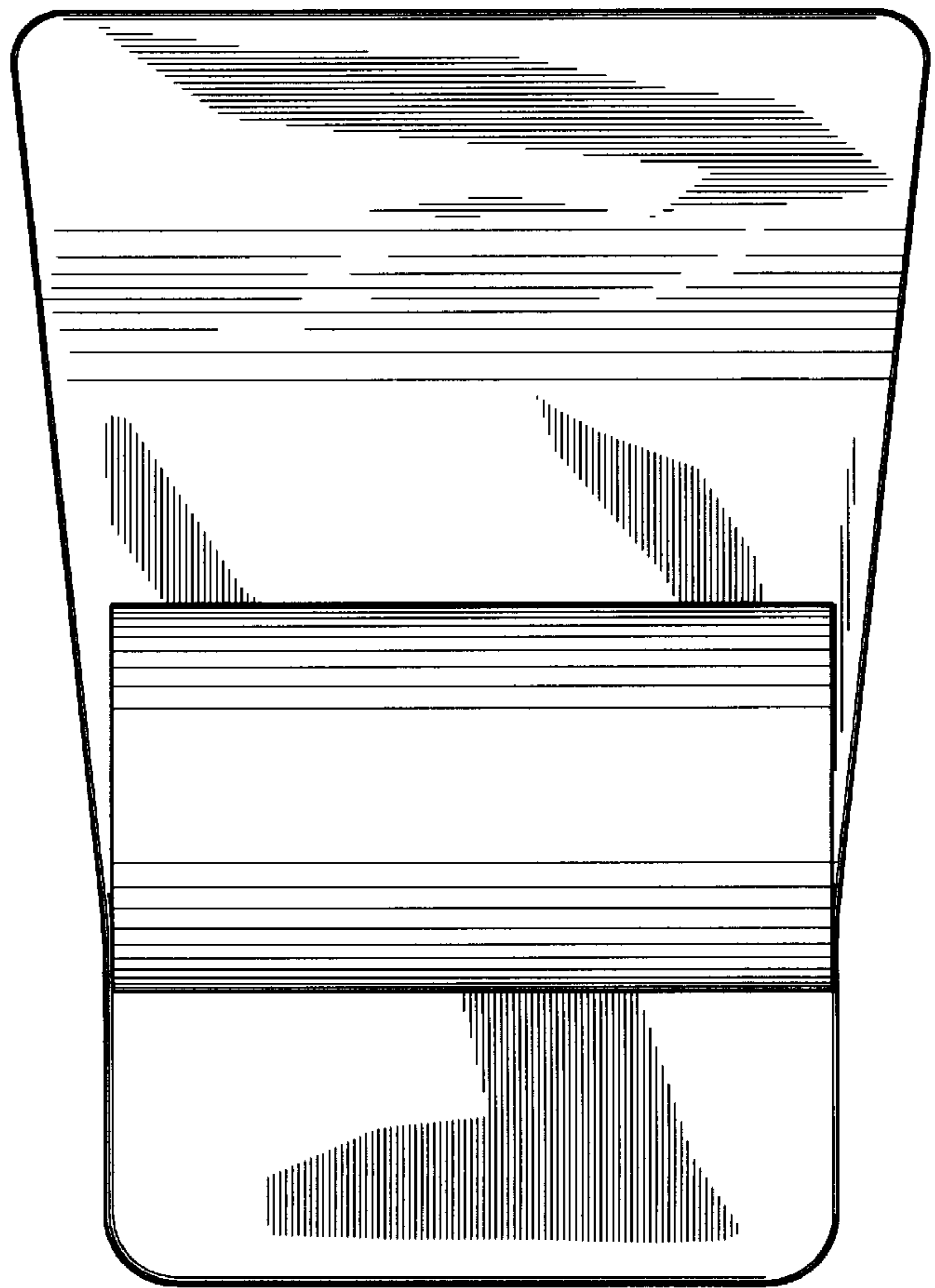


FIG. 5

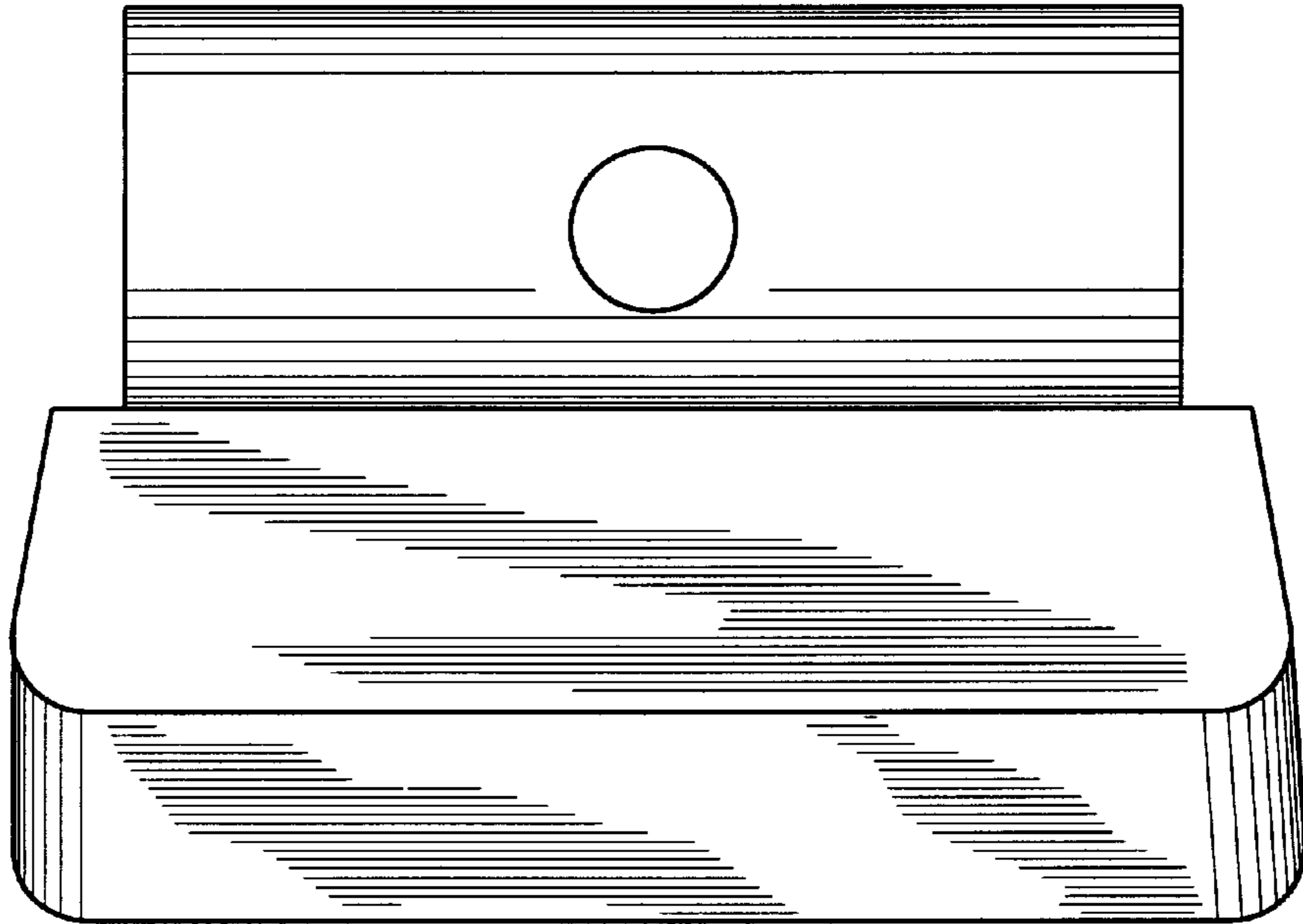


FIG. 6

