



US00D417881S

# United States Patent [19]

Diebel et al.

[11] Patent Number: **Des. 417,881**

[45] Date of Patent: **\*\* Dec. 21, 1999**

[54] **AUTOMATED TELESCOPE**

[75] Inventors: **John C. Diebel**, Newport Beach; **John E. Smith**, Mission Viejo; **Clair A. Samhammer**, Orange; **David M. Hines**, Santa Ana, all of Calif.

[73] Assignee: **Meade Instruments Corporation**, Irvine, Calif.

[\*\*] Term: **14 Years**

[21] Appl. No.: **29/101,104**

[22] Filed: **Feb. 25, 1999**

[51] **LOC (6) Cl.** ..... **16-06**

[52] **U.S. Cl.** ..... **D16/132**

[58] **Field of Search** ..... D16/130, 132;  
359/368, 399, 364, 430, 245, 788; D8/353;  
D14/140, 142; 318/685; 356/247

### [56] References Cited

#### U.S. PATENT DOCUMENTS

D. 175,388	8/1955	Braymor	.....	D16/132
D. 199,377	10/1964	Kraus	.....	D16/132
D. 253,476	11/1979	Schneck et al.	.....	D16/132
D. 268,768	4/1983	Melsheimer et al.	.....	D16/132
D. 289,057	3/1987	Huckenbeck	.....	D16/132

D. 390,583	2/1998	Diebel et al.	.....	D16/132
D. 392,657	3/1998	Diebel et al.	.....	D16/132
4,400,065	8/1983	Nagler	.....	359/788
4,632,547	12/1986	Kaplan et al.	.....	356/247 X
4,682,091	7/1987	Krewalk et al.	.....	318/685

*Primary Examiner*—Paula A. Mortimer  
*Attorney, Agent, or Firm*—Christie, Parker & Hale, LLP

### [57] CLAIM

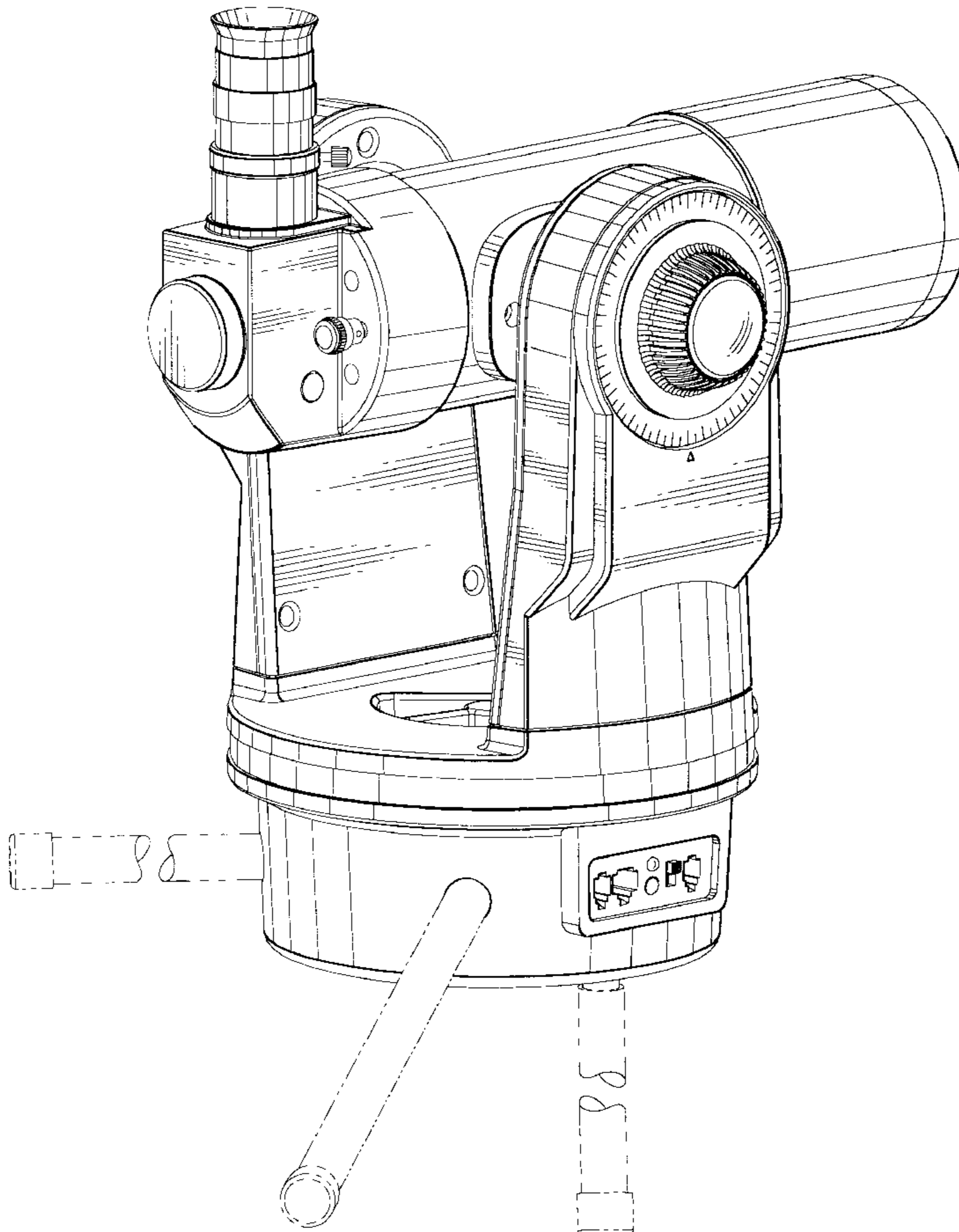
The ornamental design for automated telescope, as shown and described.

### DESCRIPTION

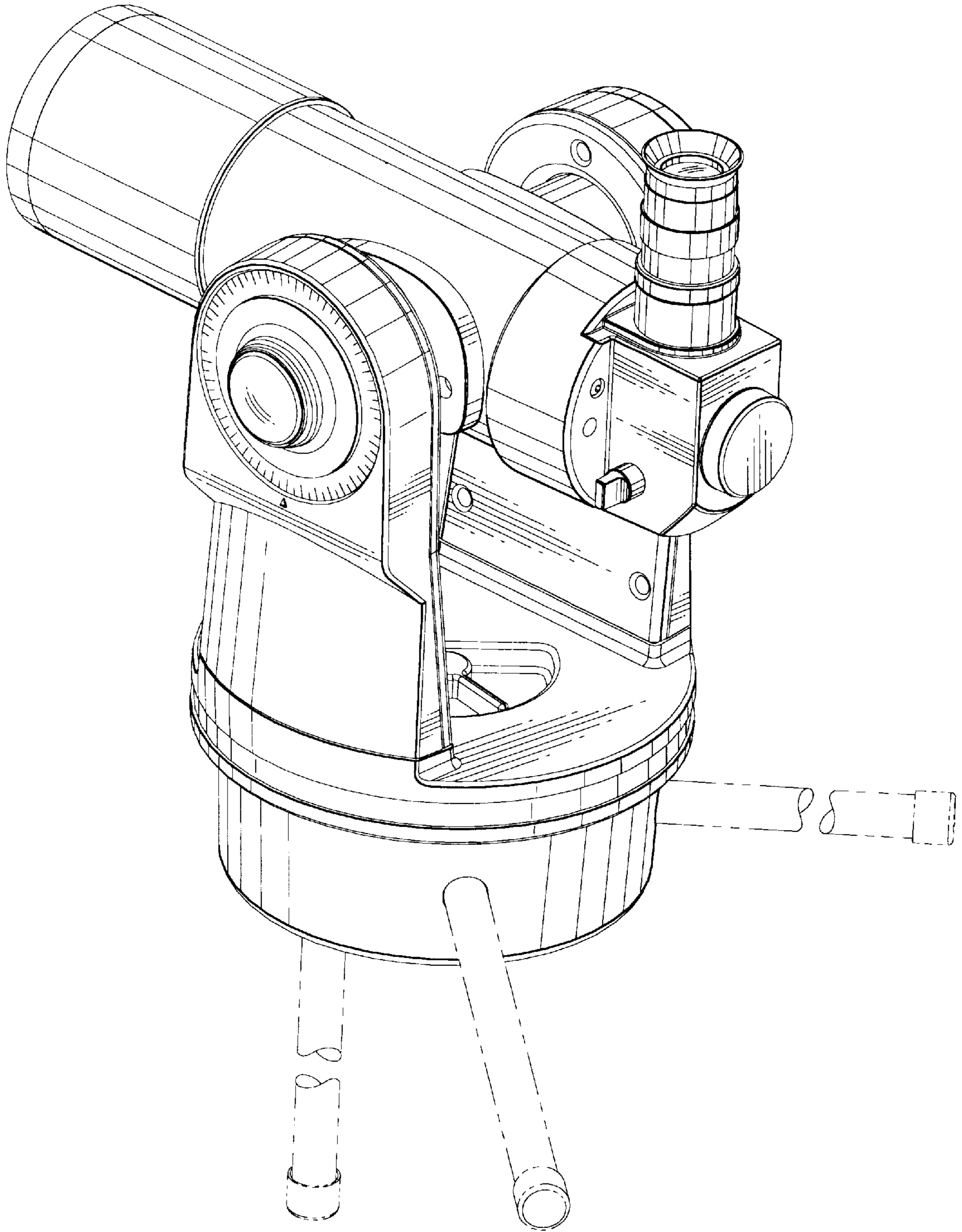
FIG. 1 is a left rear perspective view of a telescope showing our new design;  
FIG. 2 is a right rear perspective view thereof;  
FIG. 3 is a side elevational view of the right side thereof;  
FIG. 4 is front elevational view thereof;  
FIG. 5 is a side elevational view of the left side thereof;  
FIG. 6 is a rear elevational view thereof;  
FIG. 7 is a top plan view of the telescope oriented as in FIG. 3; and,  
FIG. 8 is a bottom plan view thereof.

The broken line depiction of the supports in FIGS. 1 and 2 is for illustrative purposes only and forms no part of the claimed design.

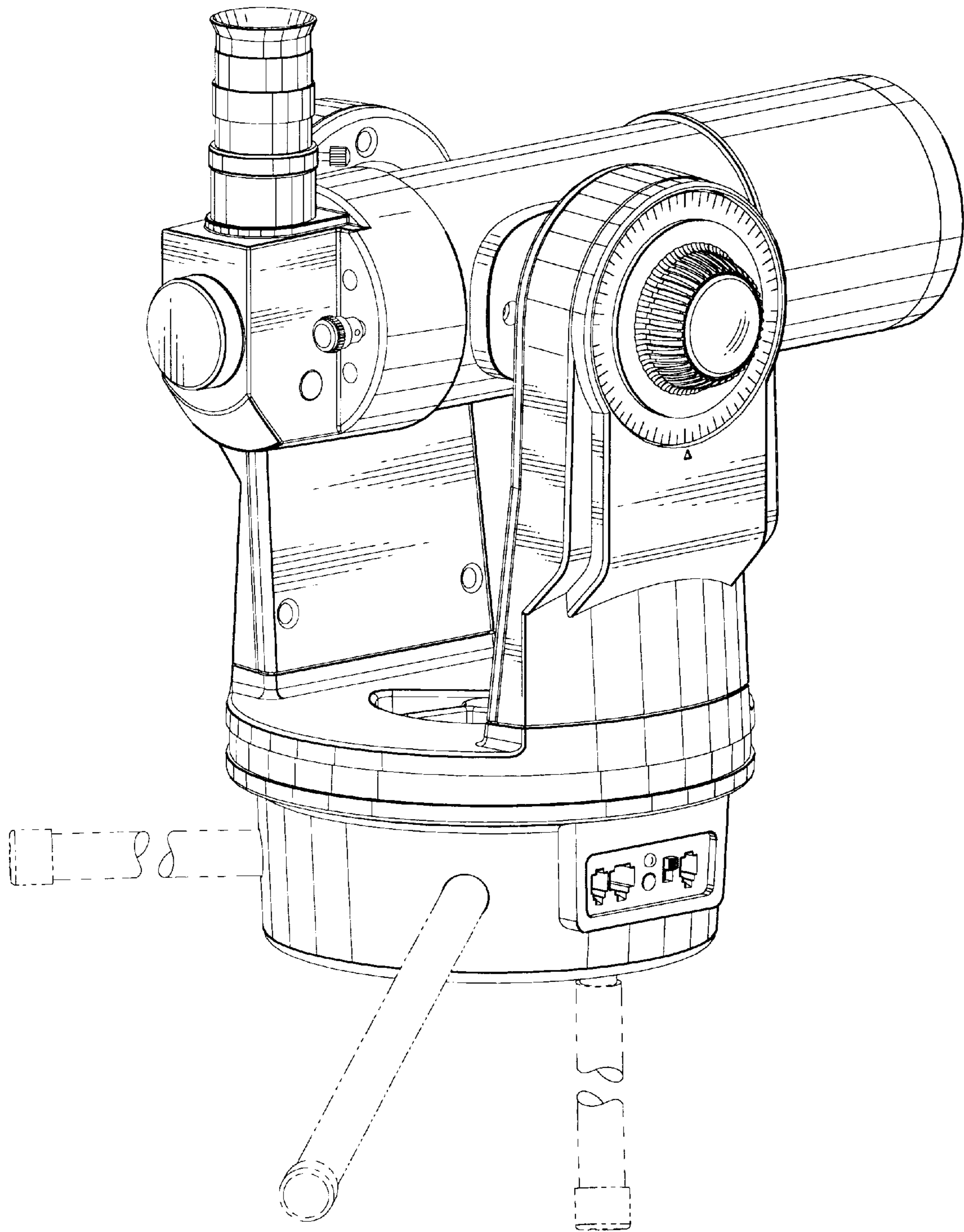
**1 Claim, 7 Drawing Sheets**

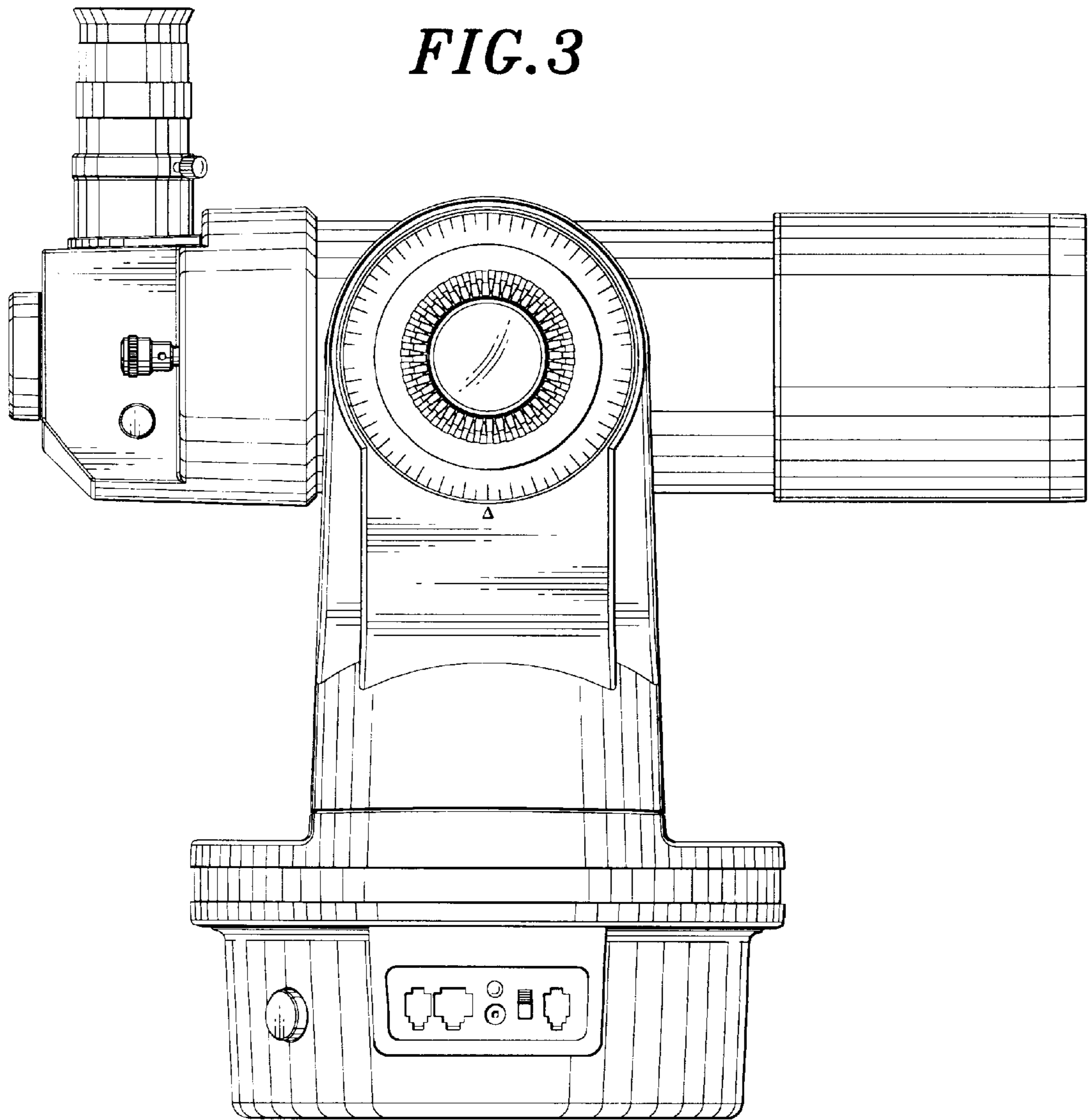


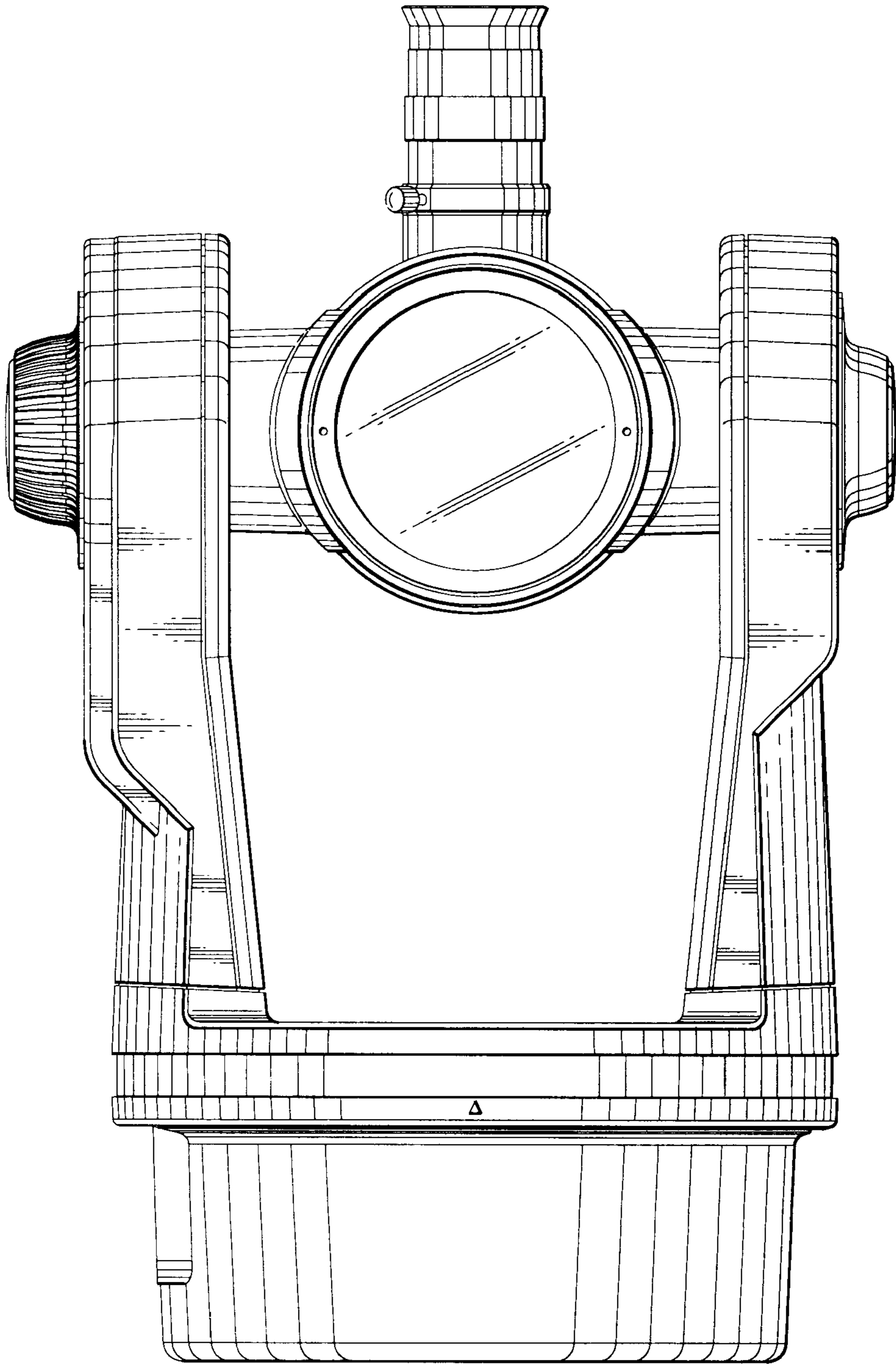
*FIG. 1*



*FIG. 2*

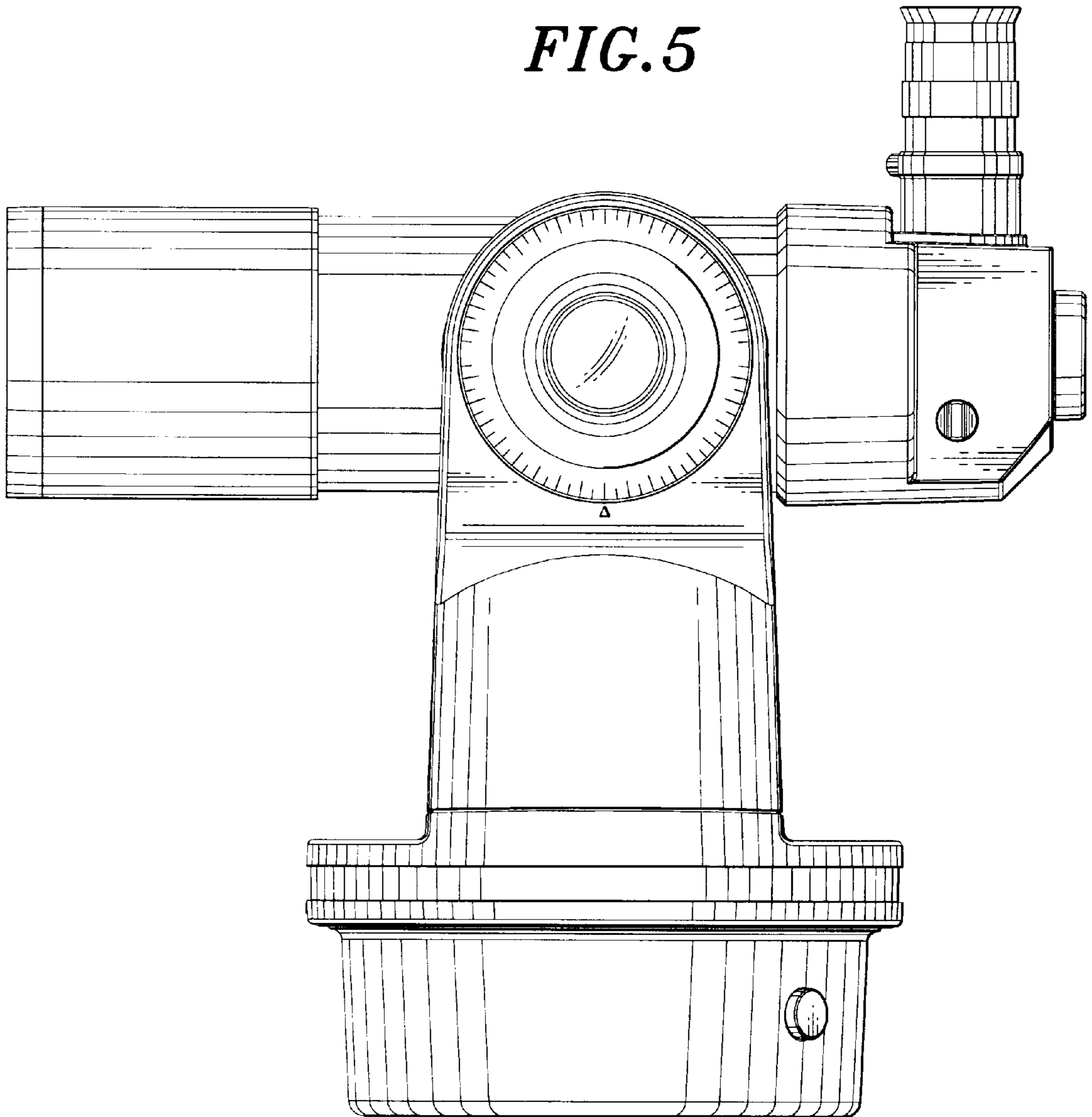


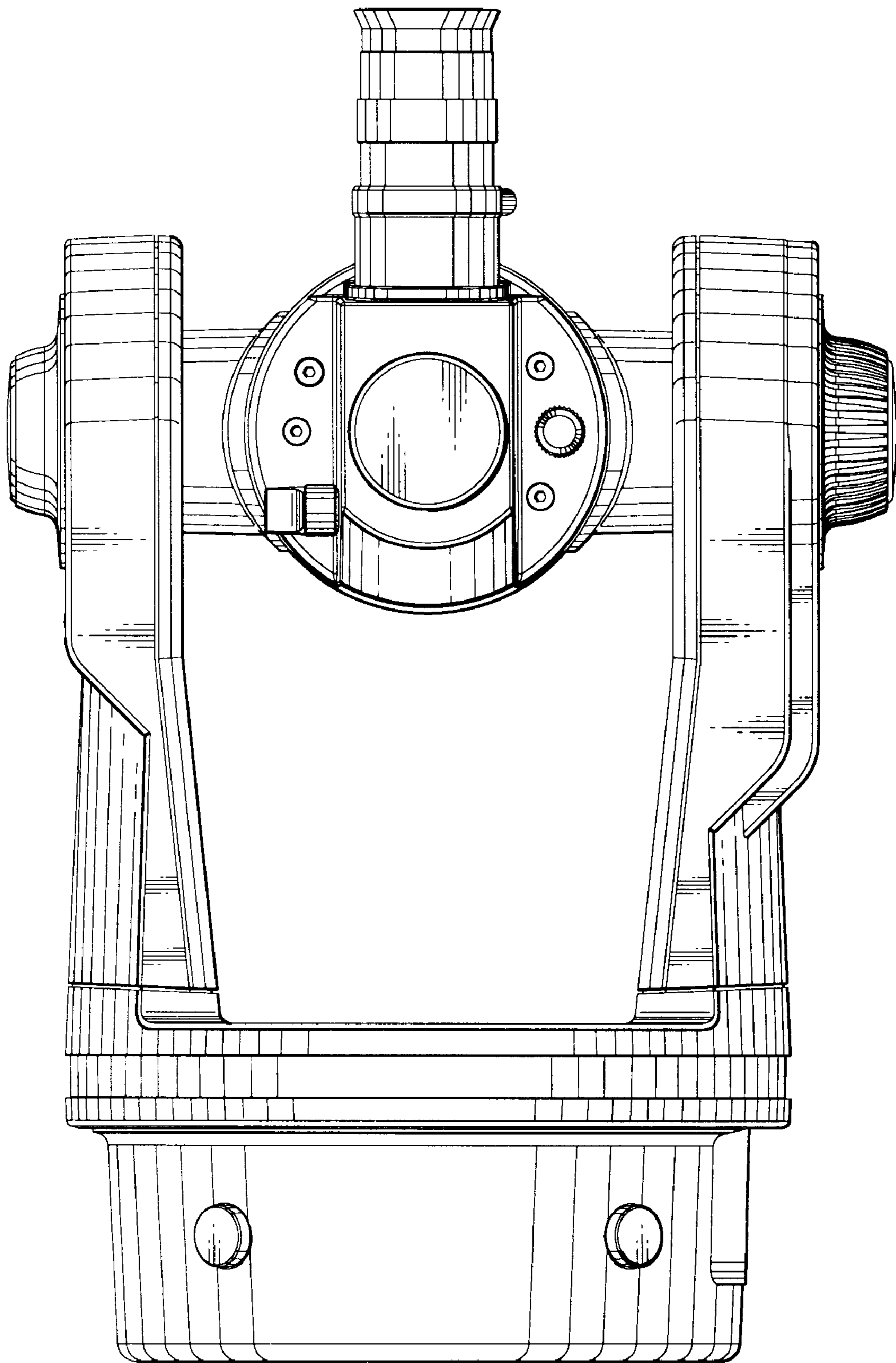




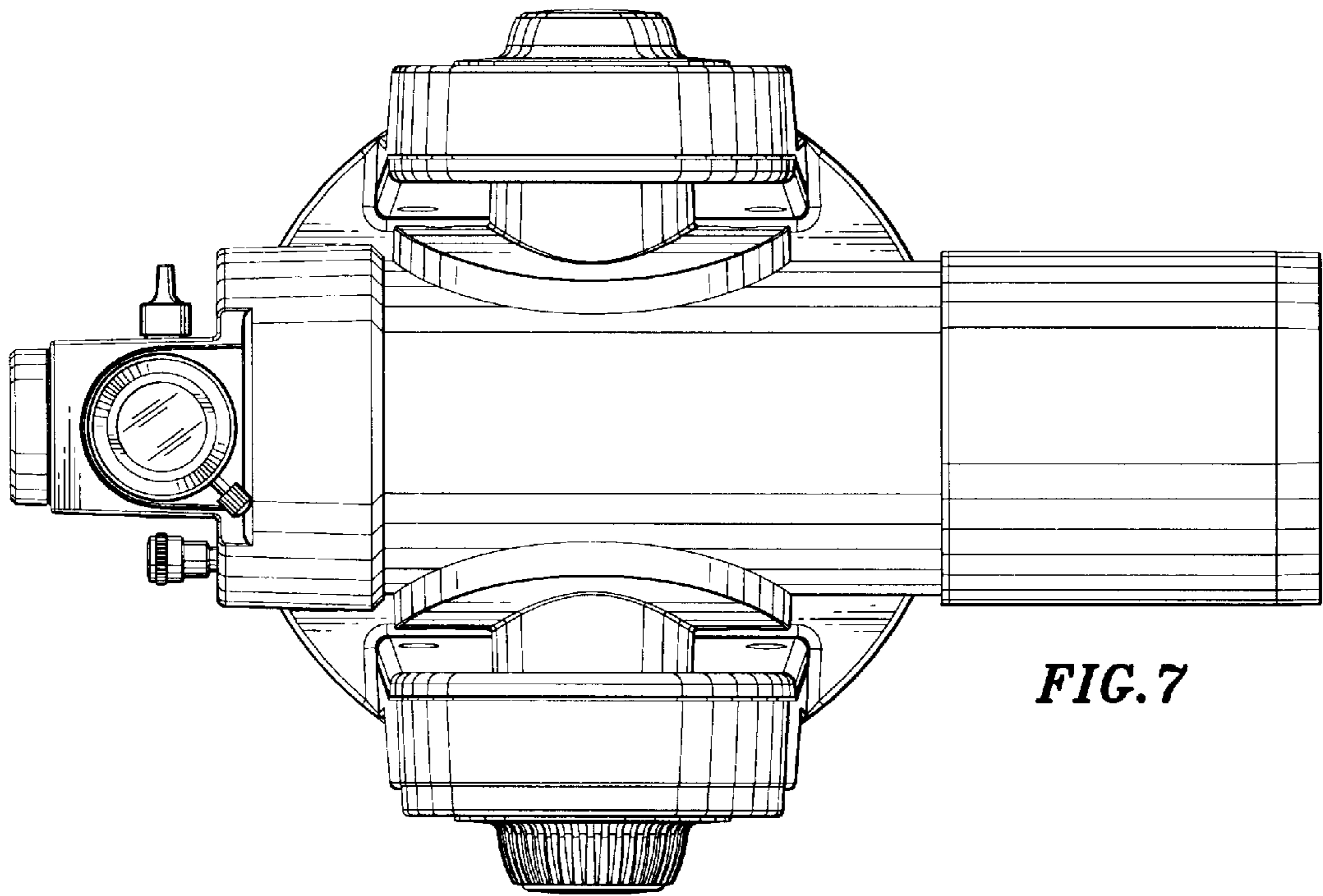
*FIG. 4*

*FIG. 5*

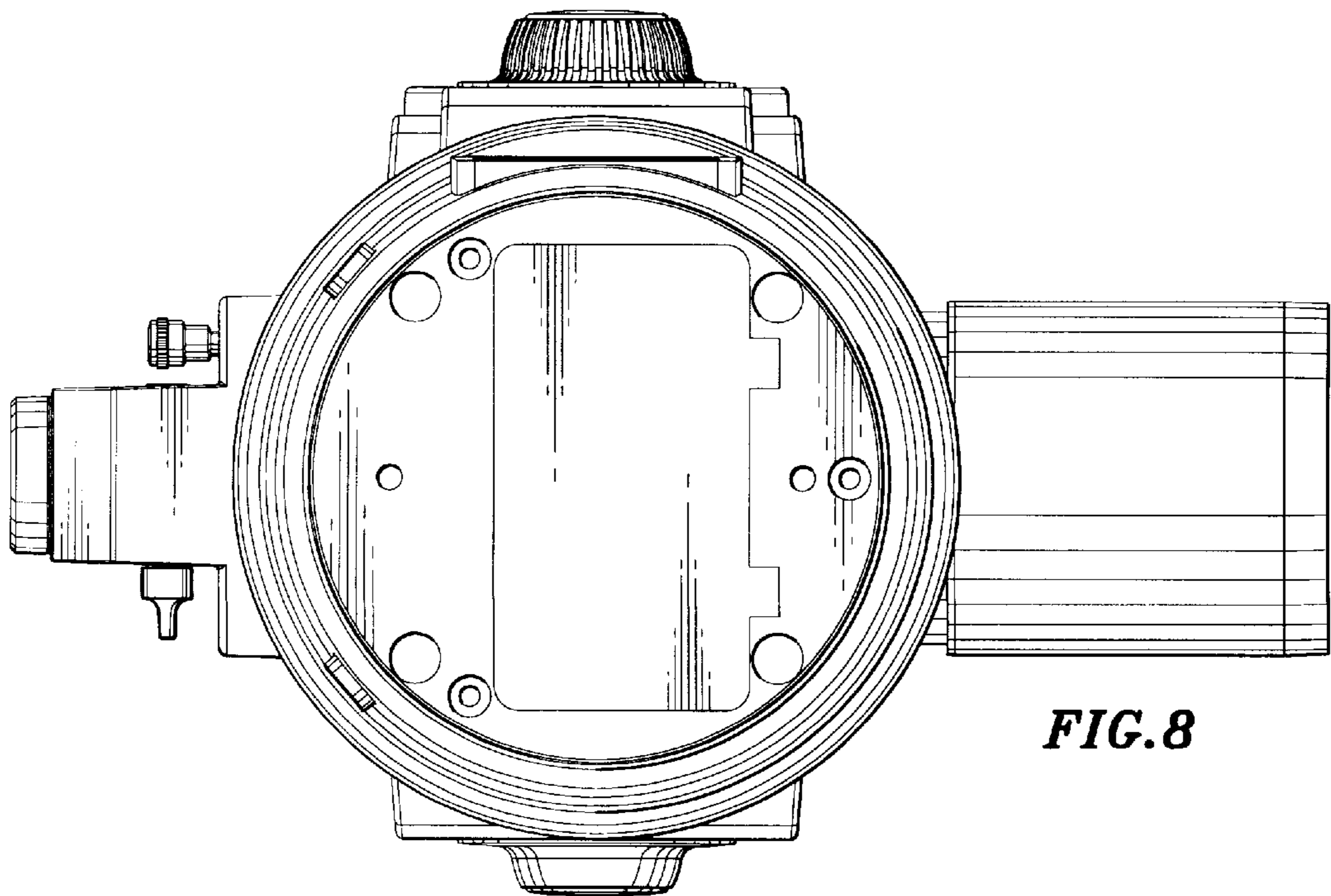




**FIG. 6**



*FIG. 7*



*FIG. 8*