



US00D417880S

# United States Patent [19]

Wani et al.

[11] Patent Number: Des. 417,880

[45] Date of Patent: \*\* Dec. 21, 1999

[54] MICROSCOPE

[75] Inventors: **Yuki Wani**, Hachioji; **Toshinobu Miyazawa**, Komagane; **Tomoyuki Kawamura**, Nagano-ken; **Keiichi Iizuka**; **Minoru Inoue**, both of Ina, all of Japan

[73] Assignee: **Olympus Optical Co., Ltd.**, Tokyo, Japan

[\*\*] Term: **14 Years**

[21] Appl. No.: **29/096,625**

[22] Filed: **Nov. 17, 1998**

[30] **Foreign Application Priority Data**

May 19, 1998 [JP] Japan ..... 10-14175

[51] **LOC (6) Cl.** ..... **16-06**

[52] **U.S. Cl.** ..... **D16/131**

[58] **Field of Search** ..... D16/130, 131; 359/376, 377, 375, 381, 382, 385, 390

[56] **References Cited**

**U.S. PATENT DOCUMENTS**

- D. 191,330 9/1961 Armbruster ..... D16/131
- D. 215,889 11/1969 Suzuki ..... D16/131

- D. 273,592 4/1984 Armbruster ..... D16/131
- D. 273,685 5/1984 Yamada ..... D16/131
- D. 296,904 7/1988 Lukaszewski ..... D16/131
- D. 330,719 11/1992 Ishibashi .
- D. 345,746 4/1994 Hülbl ..... D16/131
- D. 345,747 4/1994 Hülbl ..... D16/131
- D. 354,761 1/1995 Komatsuzaki et al. .... D16/131
- 1,853,674 4/1932 Engelmann ..... 359/375
- 3,064,529 11/1962 Straat ..... 359/381 X
- 4,283,111 8/1981 Wieber et al. .... 359/381

*Primary Examiner*—Paula A. Mortimer  
*Attorney, Agent, or Firm*—J. Warren Whitesel; Laff, Whitesel & Saret

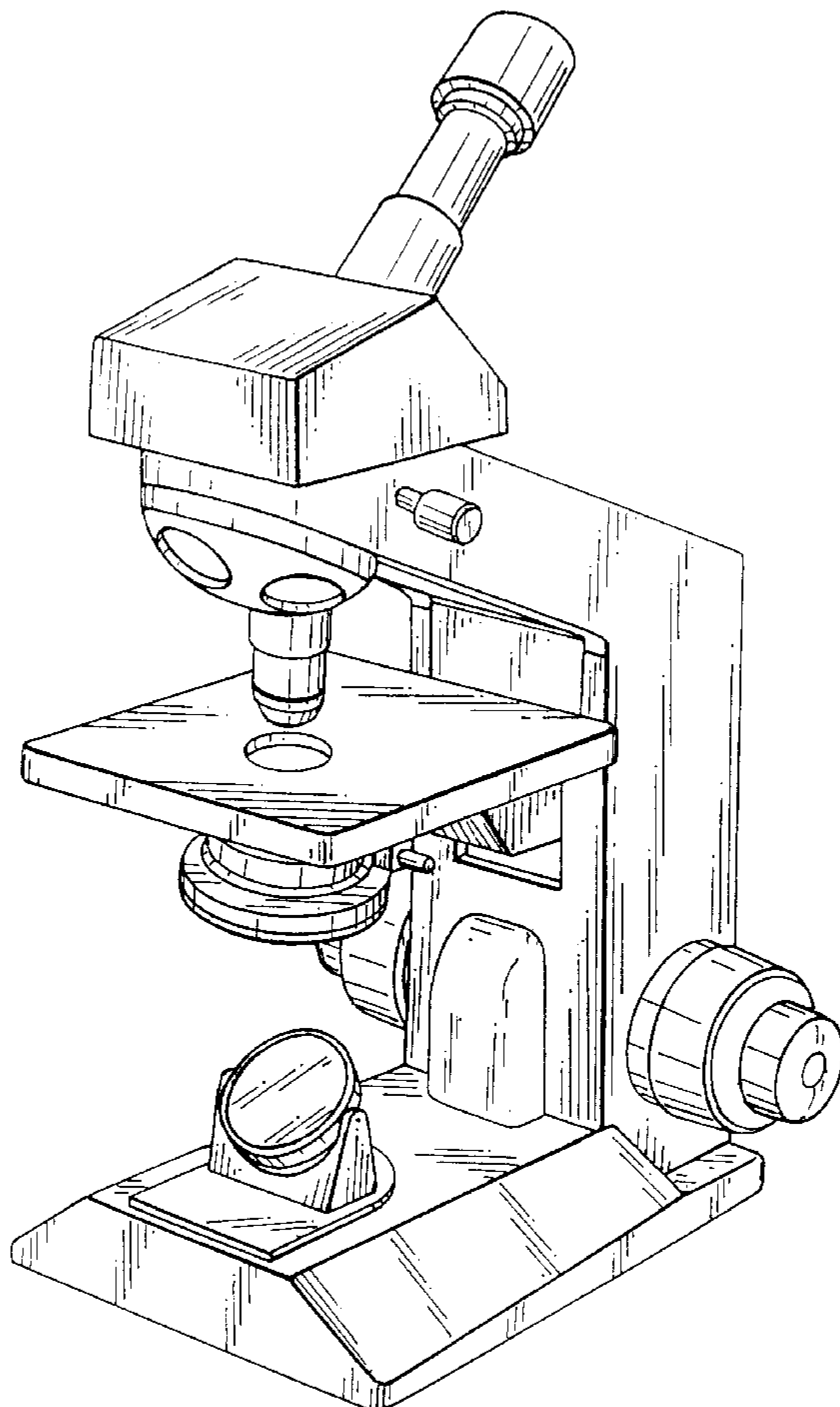
[57] **CLAIM**

The ornamental design for microscope, as shown and described.

**DESCRIPTION**

FIG. 1 is an enlarged rear, top and left side perspective view of microscope, showing our new design; FIG. 2 is a front elevational view thereof; FIG. 3 is a right side elevational view thereof; FIG. 4 is a top plan view thereof; FIG. 5 is a rear elevational view thereof; FIG. 6 is a left side elevational view thereof; and, FIG. 7 is a bottom plan view thereof.

**1 Claim, 3 Drawing Sheets**





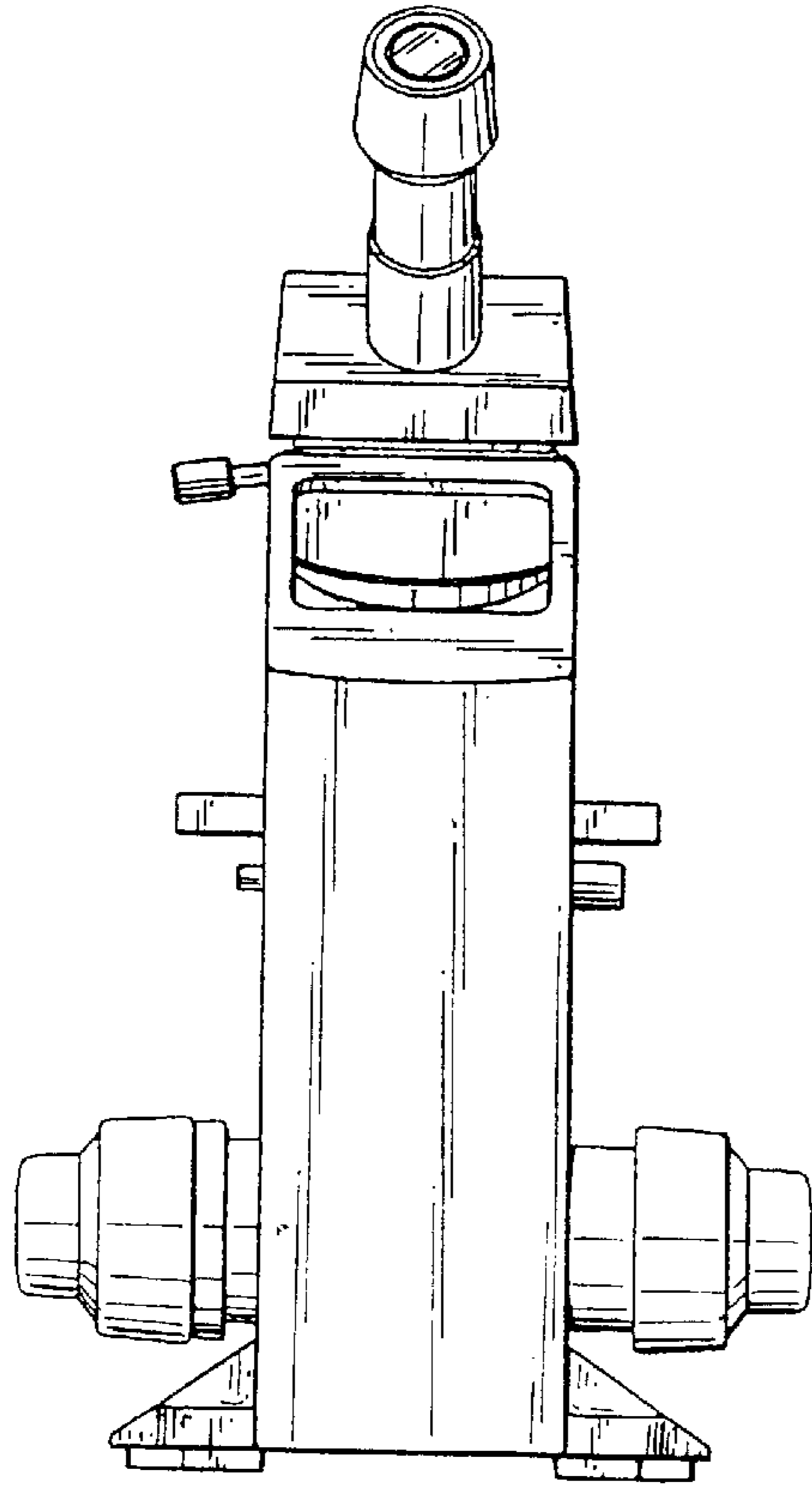


FIG. 2

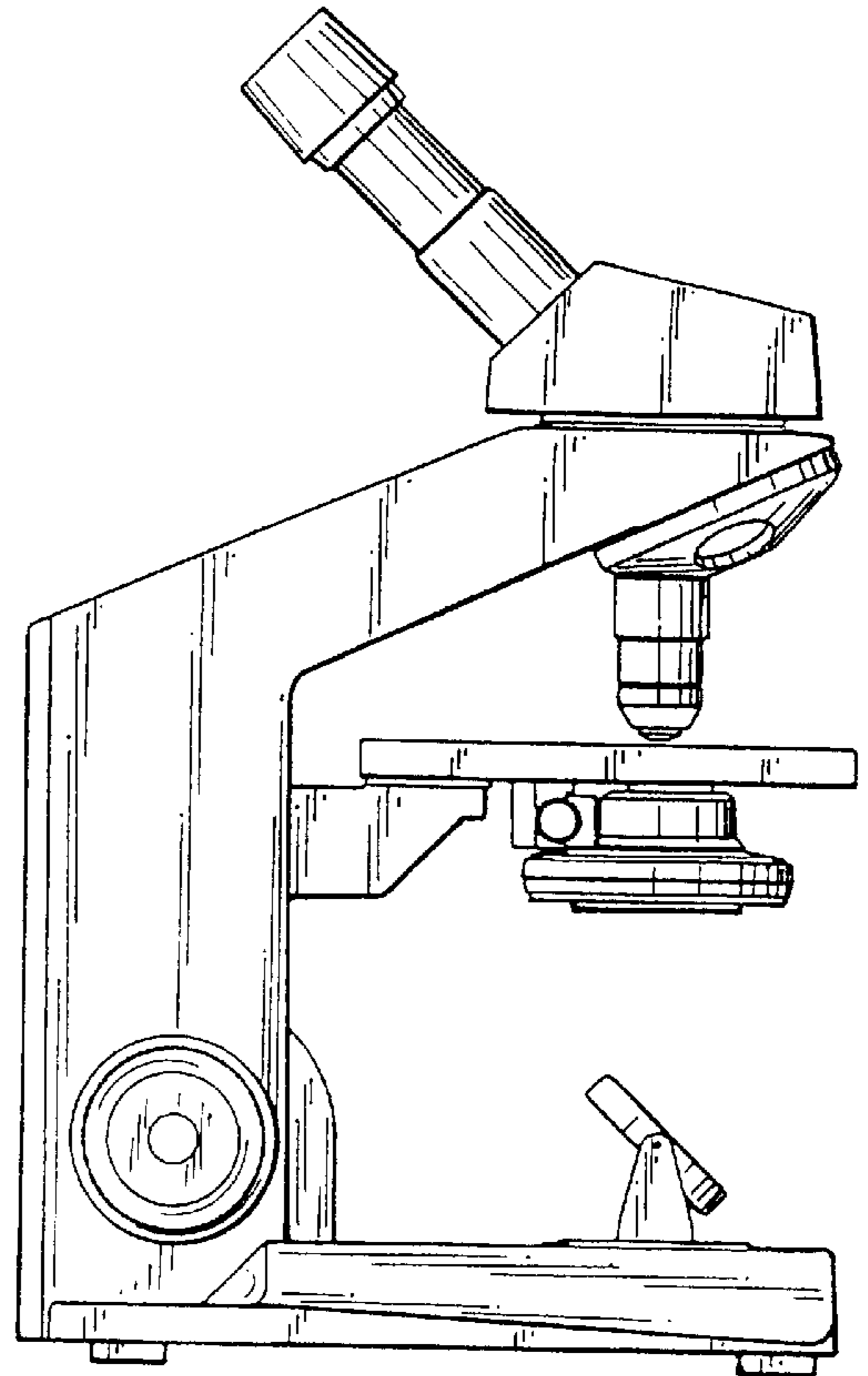


FIG. 3

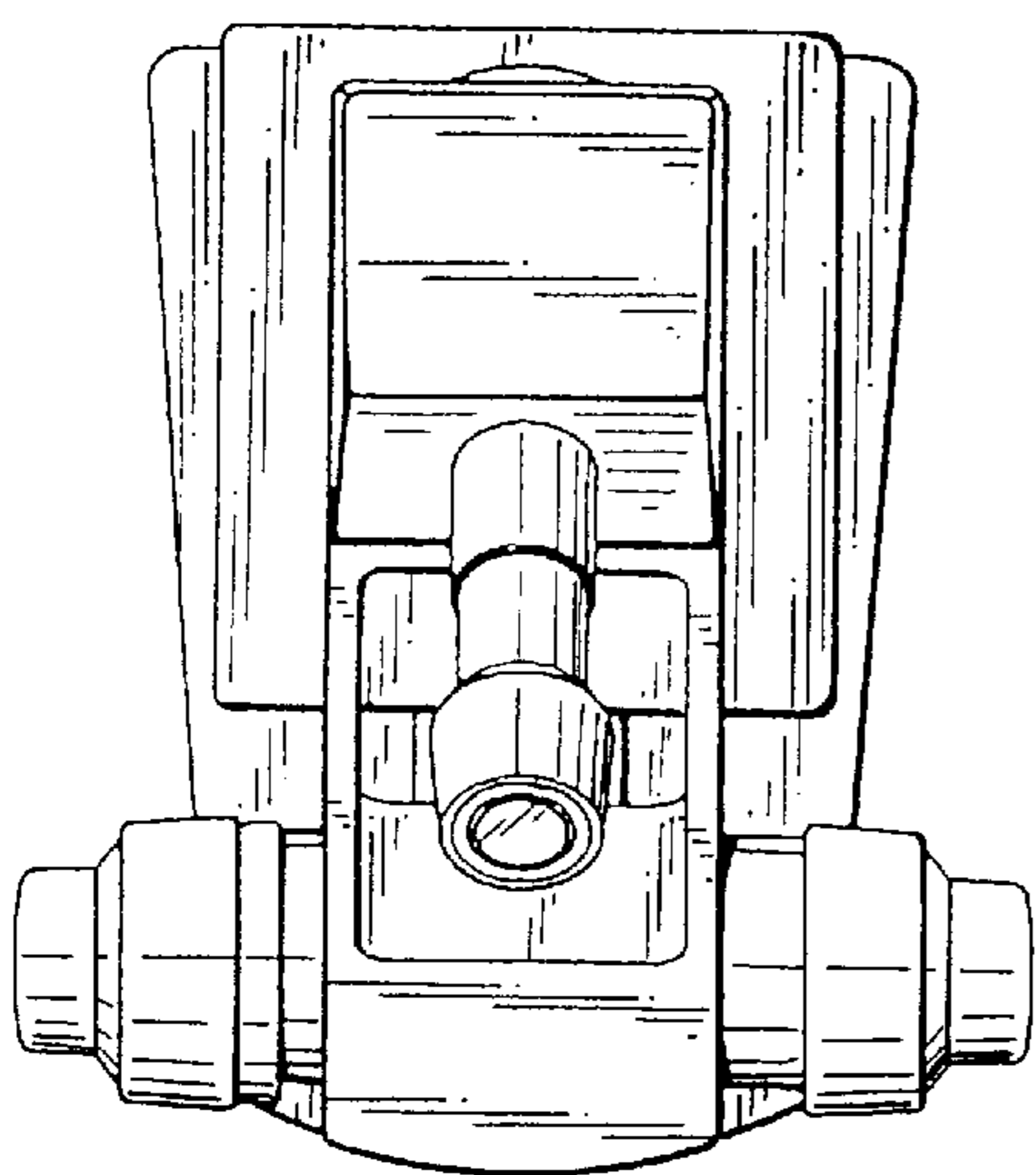


FIG. 4

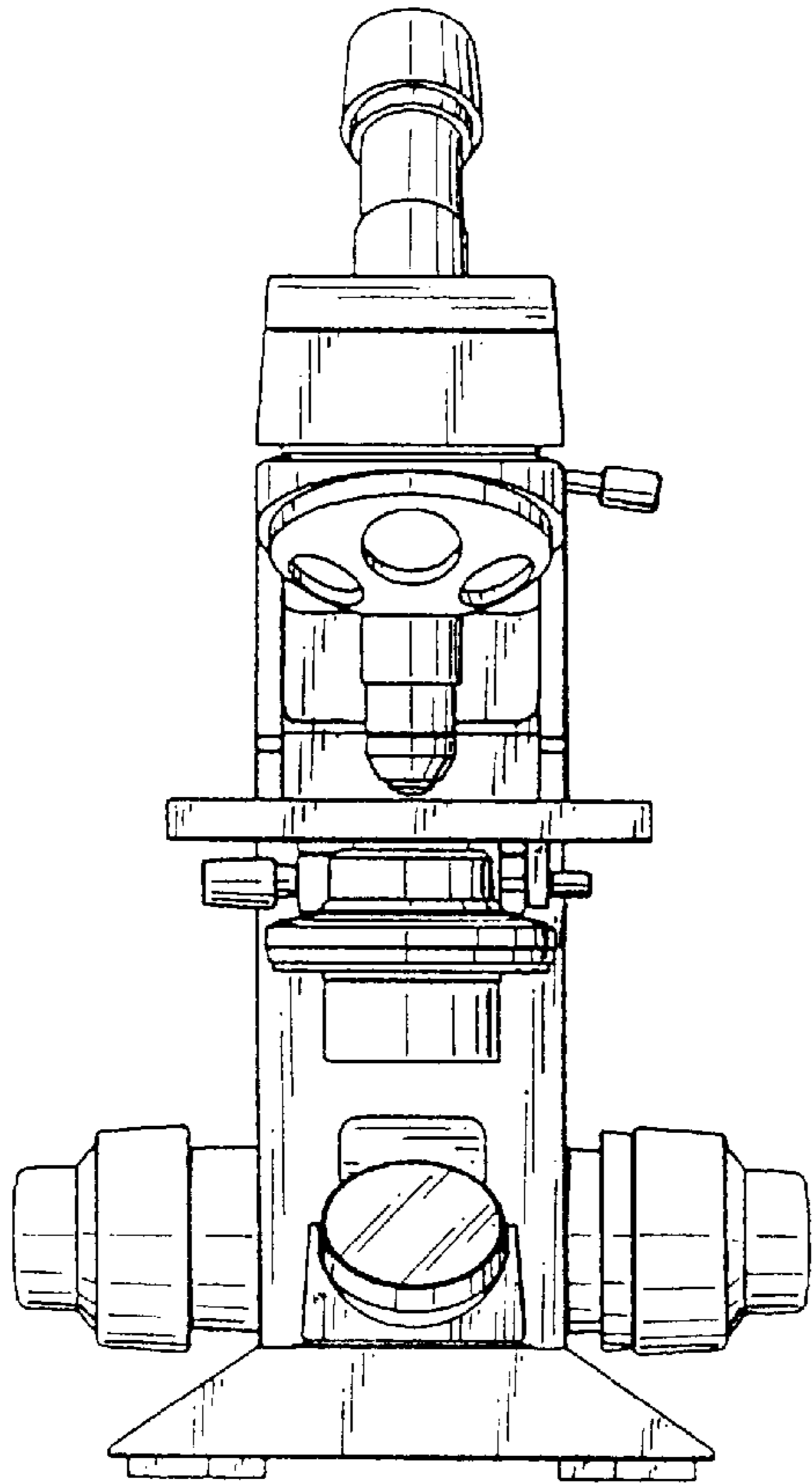


FIG. 5

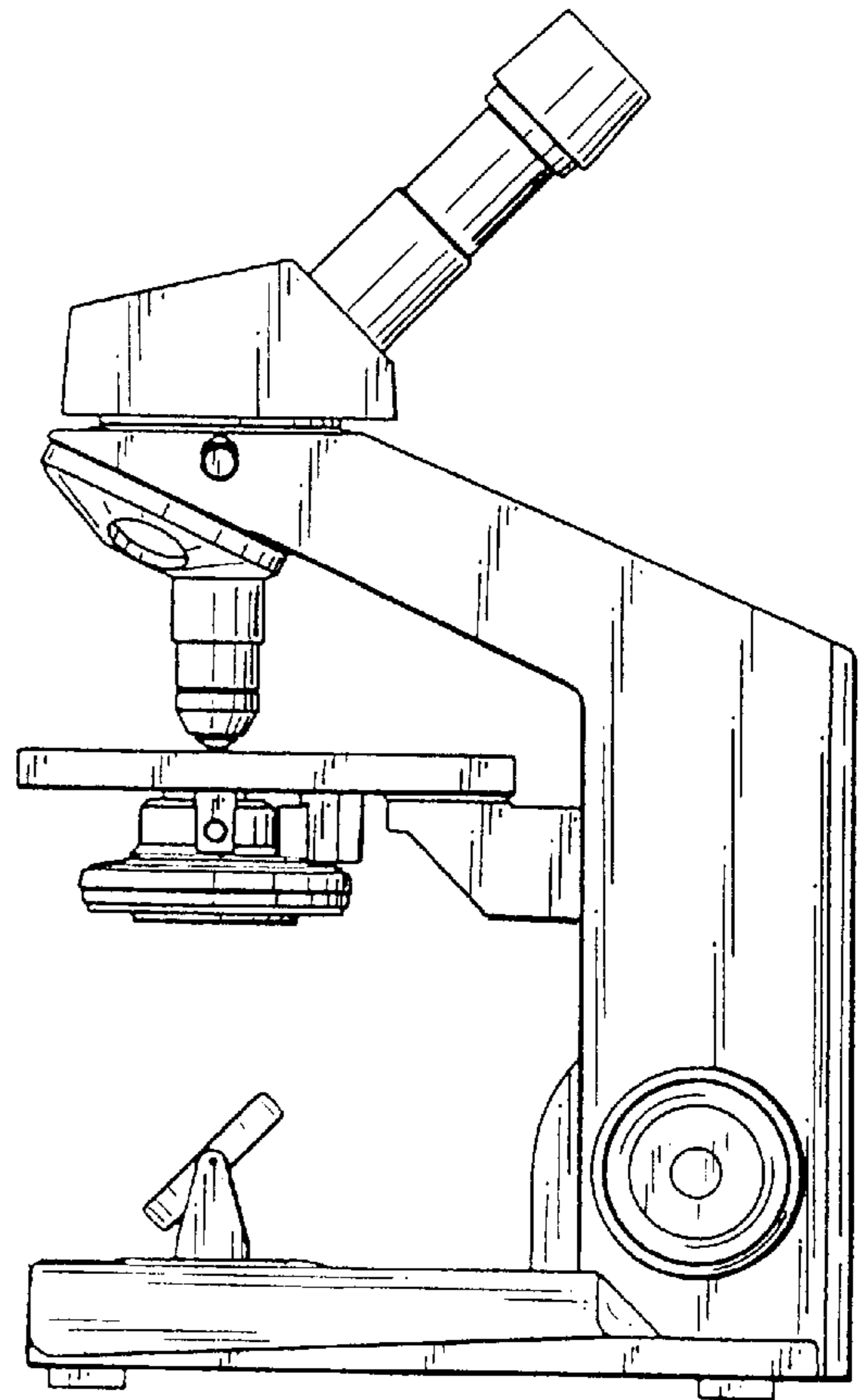


FIG. 6

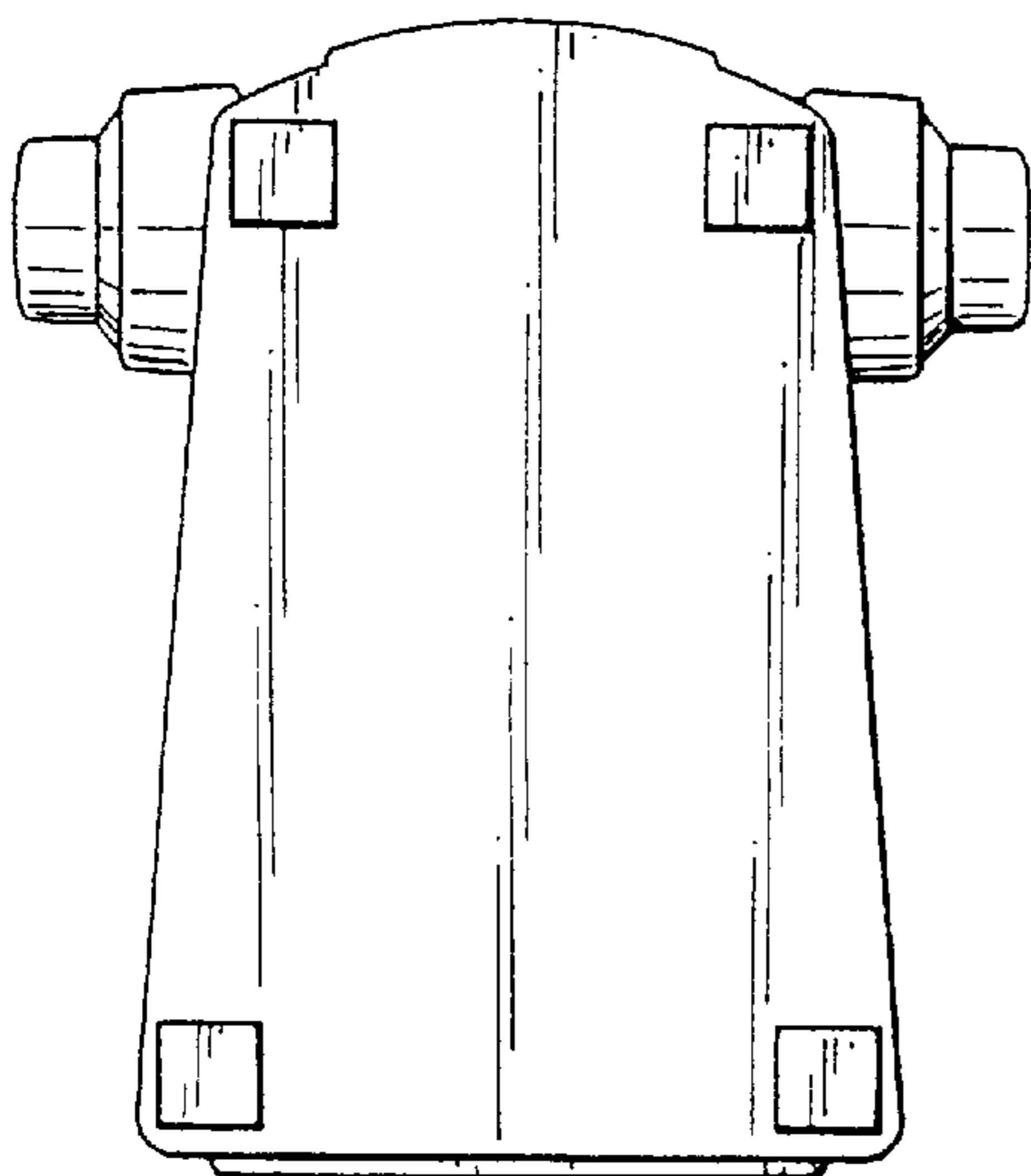


FIG. 7