



US00D417878S

United States Patent [19]

Terano et al.

[11] Patent Number: **Des. 417,878**

[45] Date of Patent: **** Dec. 21, 1999**

[54] **HOUSING FOR INDUCTION TREATING APPARATUS**

3,258,323 6/1966 Kirk D15/144

[75] Inventors: **Robert J. Terano**, Nesconset; **Phil Schmitt**, Central Islip; **Matt Hayduk**, Glen Cove; **Russell Robertson**, Brooklyn, all of N.Y.

Primary Examiner—Antoine Duval Davis
Attorney, Agent, or Firm—Seidel, Gonda, Lavorgna & Monaco, PC

[73] Assignee: **Lepel Corp.**, Edgewood, N.Y.

[57] **CLAIM**
The ornamental design for a housing for induction treating apparatus, as shown and described.

[**] Term: **14 Years**

DESCRIPTION

[21] Appl. No.: **29/093,244**

FIG. 1 is a perspective view of the housing for induction treating apparatus;
FIG. 2 is a front elevation view thereof;
FIG. 3 is a right side elevation view thereof;
FIG. 4 is a rear elevation view thereof;
FIG. 5 is a left side elevation view thereof;
FIG. 6 is a top plan view thereof;
FIG. 7 is a bottom plan view thereof; and,
FIG. 8 is a perspective view of an alternate embodiment of the housing for induction treating apparatus.
The broken line showing is for illustrative purposes only and forms no part of the claimed design.

[22] Filed: **Sep. 5, 1998**

[51] **LOC (6) Cl.** **15-09**

[52] **U.S. Cl.** **D15/144**

[58] **Field of Search** D15/127, 144,
D15/144.1, 144.2, 199; 148/575, 646, 436,
554; 473/350; 420/489

[56] **References Cited**

U.S. PATENT DOCUMENTS

D. 223,297 4/1972 Kirk D15/144

1 Claim, 5 Drawing Sheets

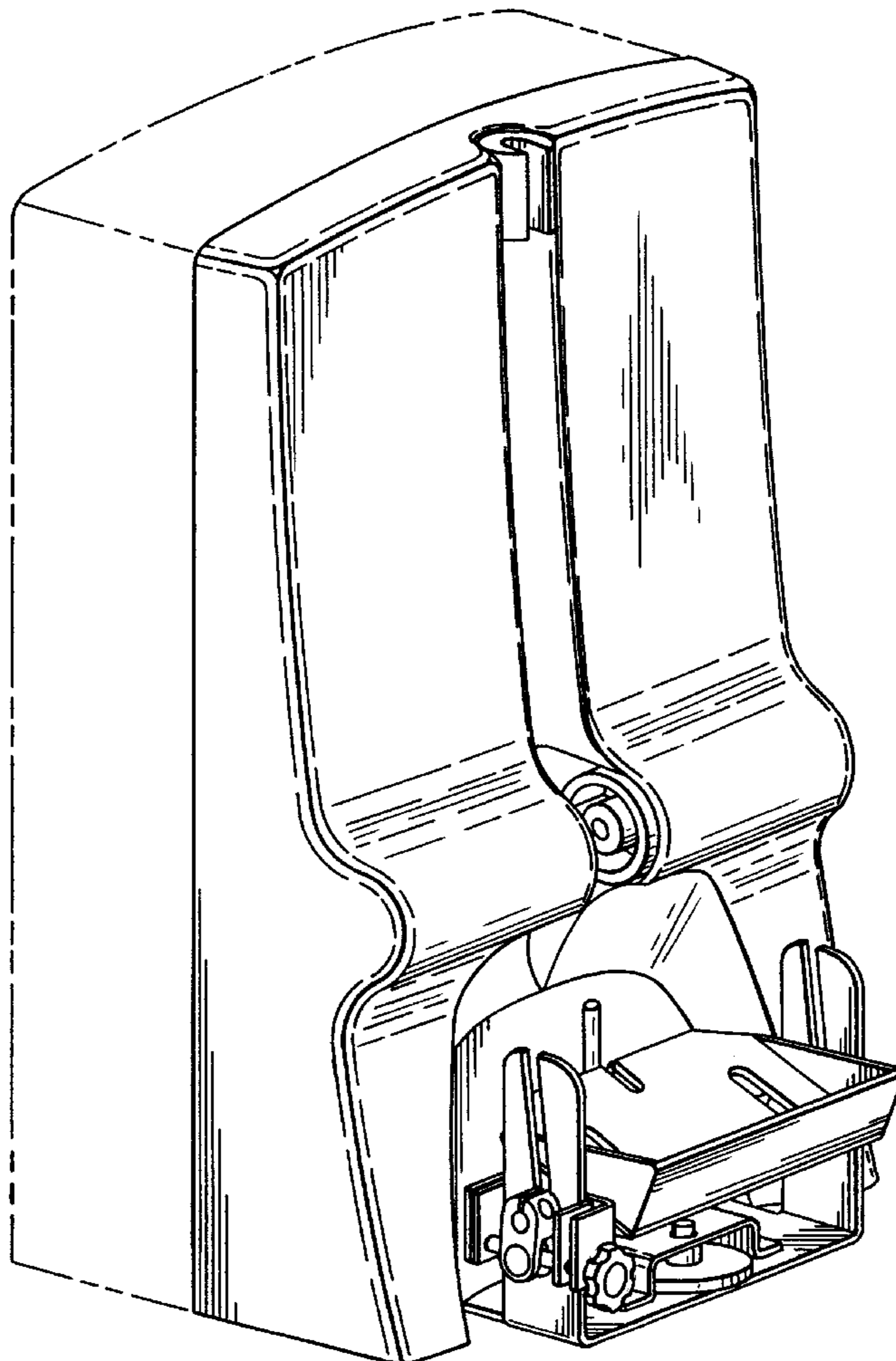
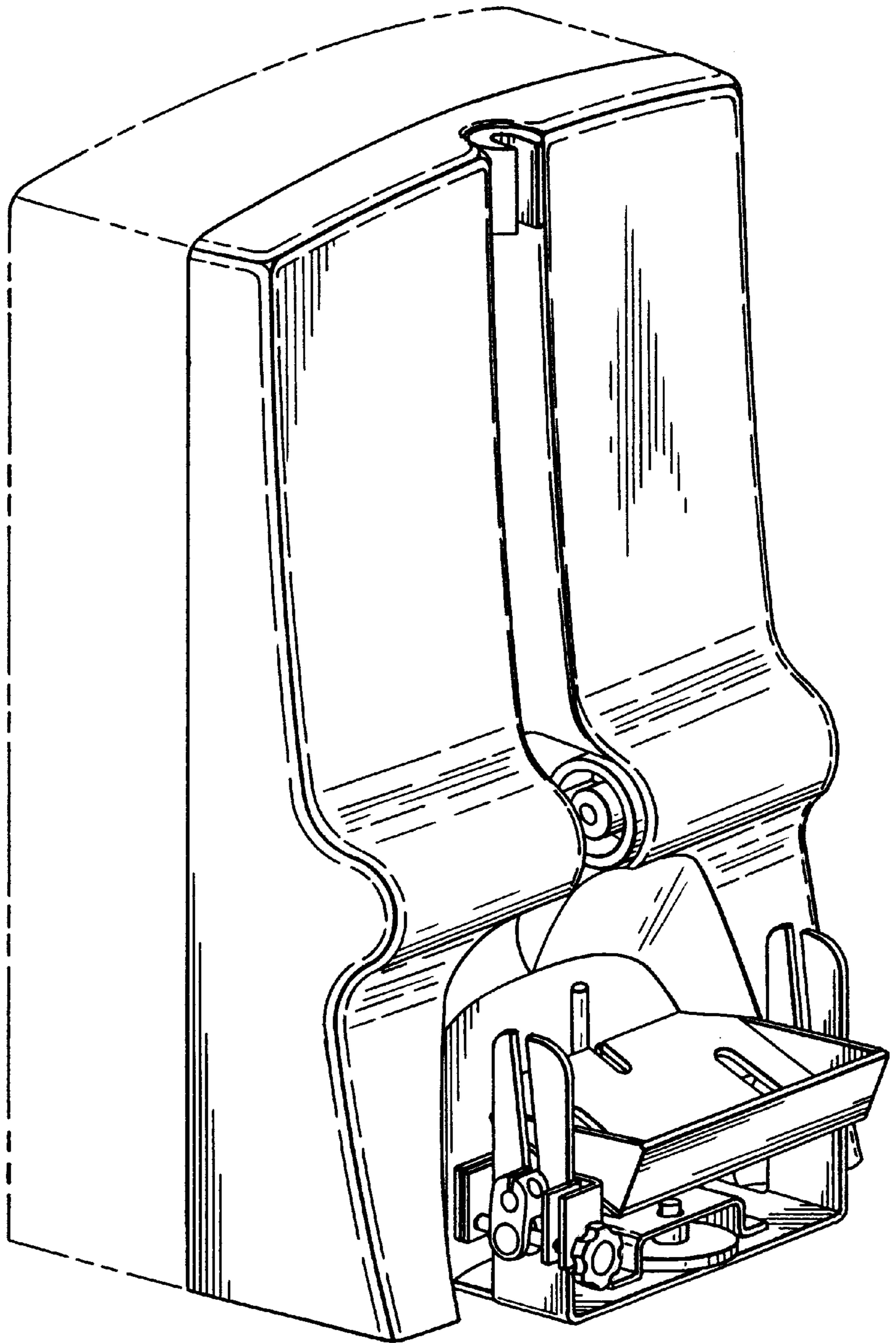


FIG. 1



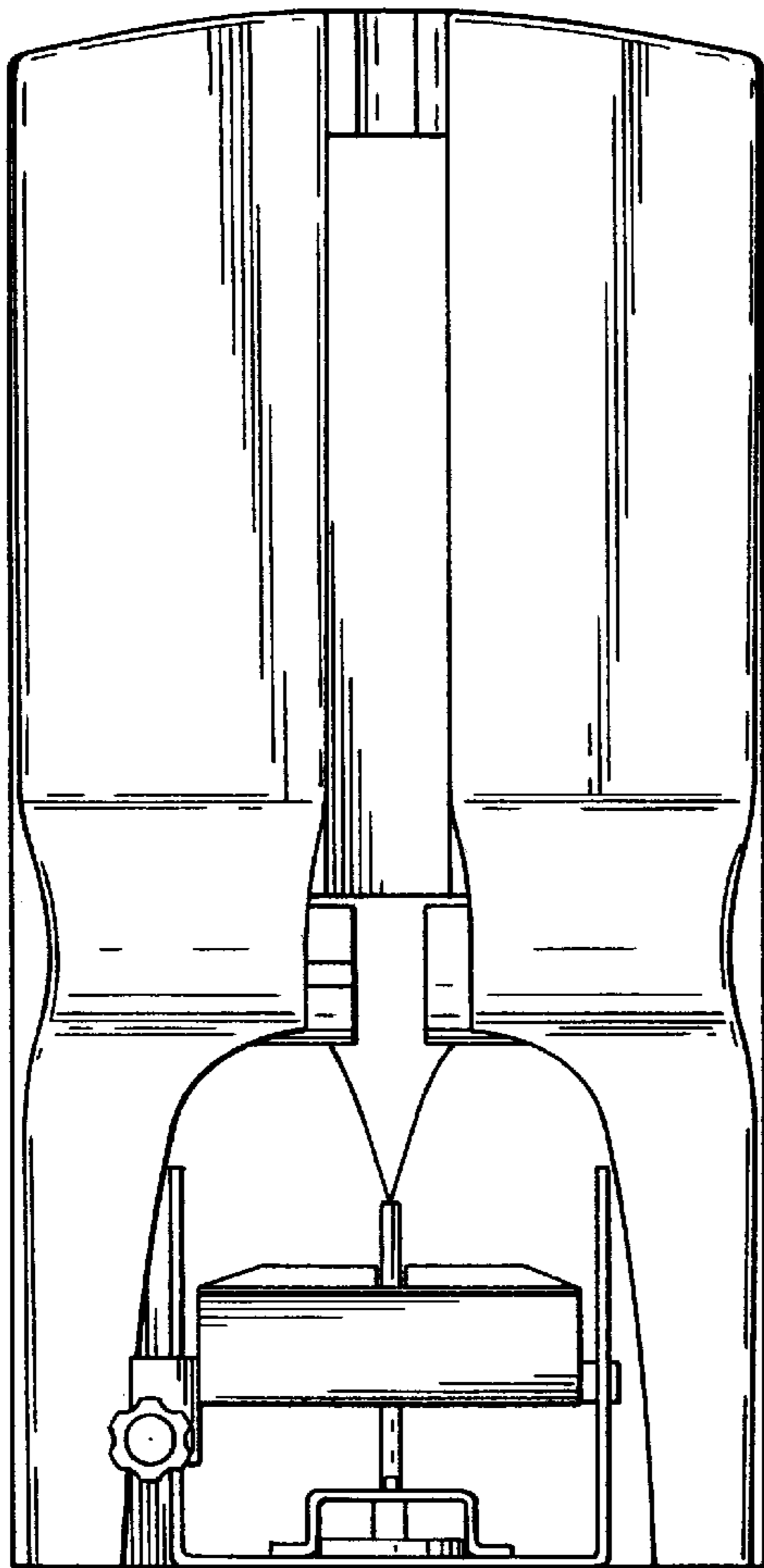


FIG. 2

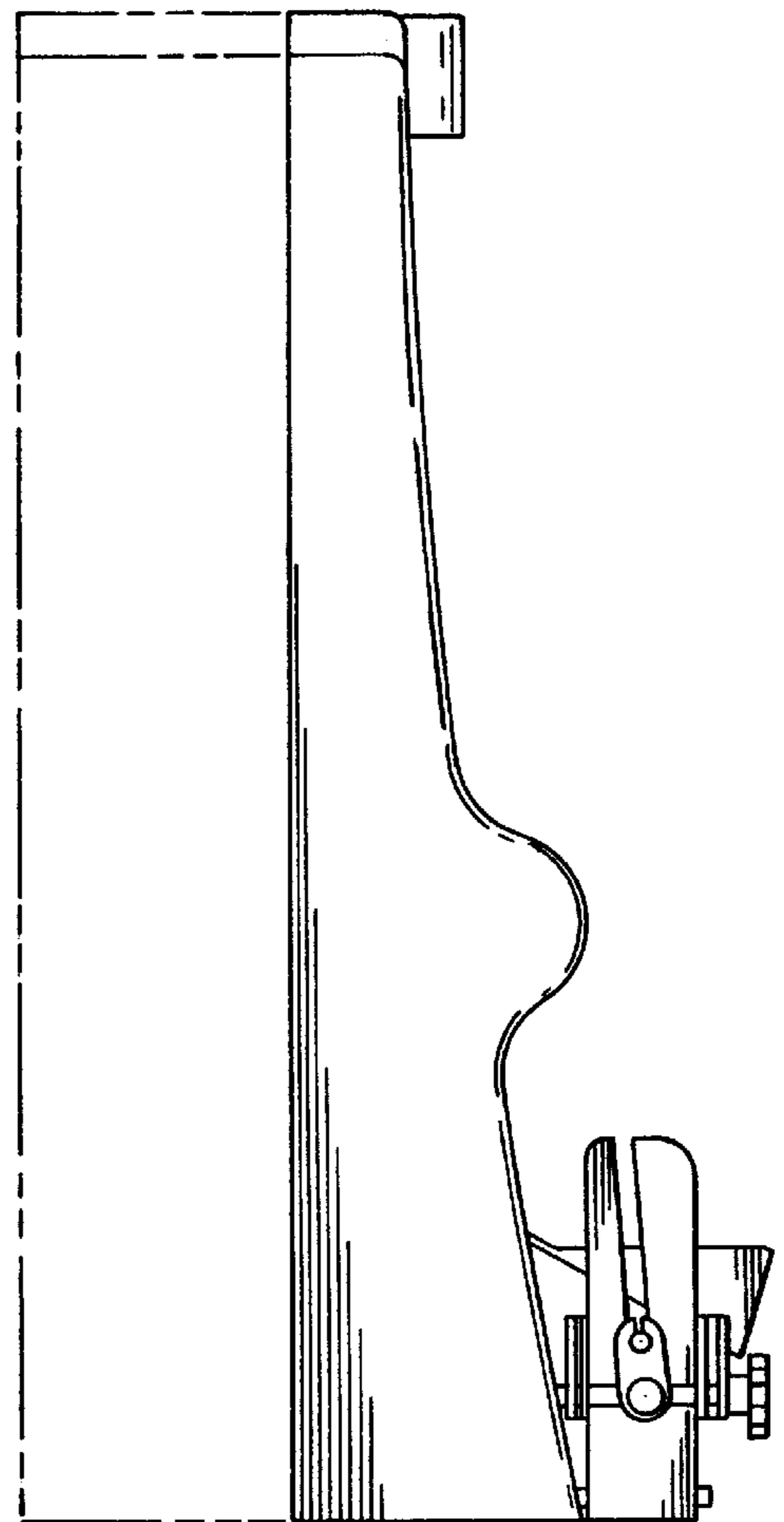


FIG. 3

FIG. 4

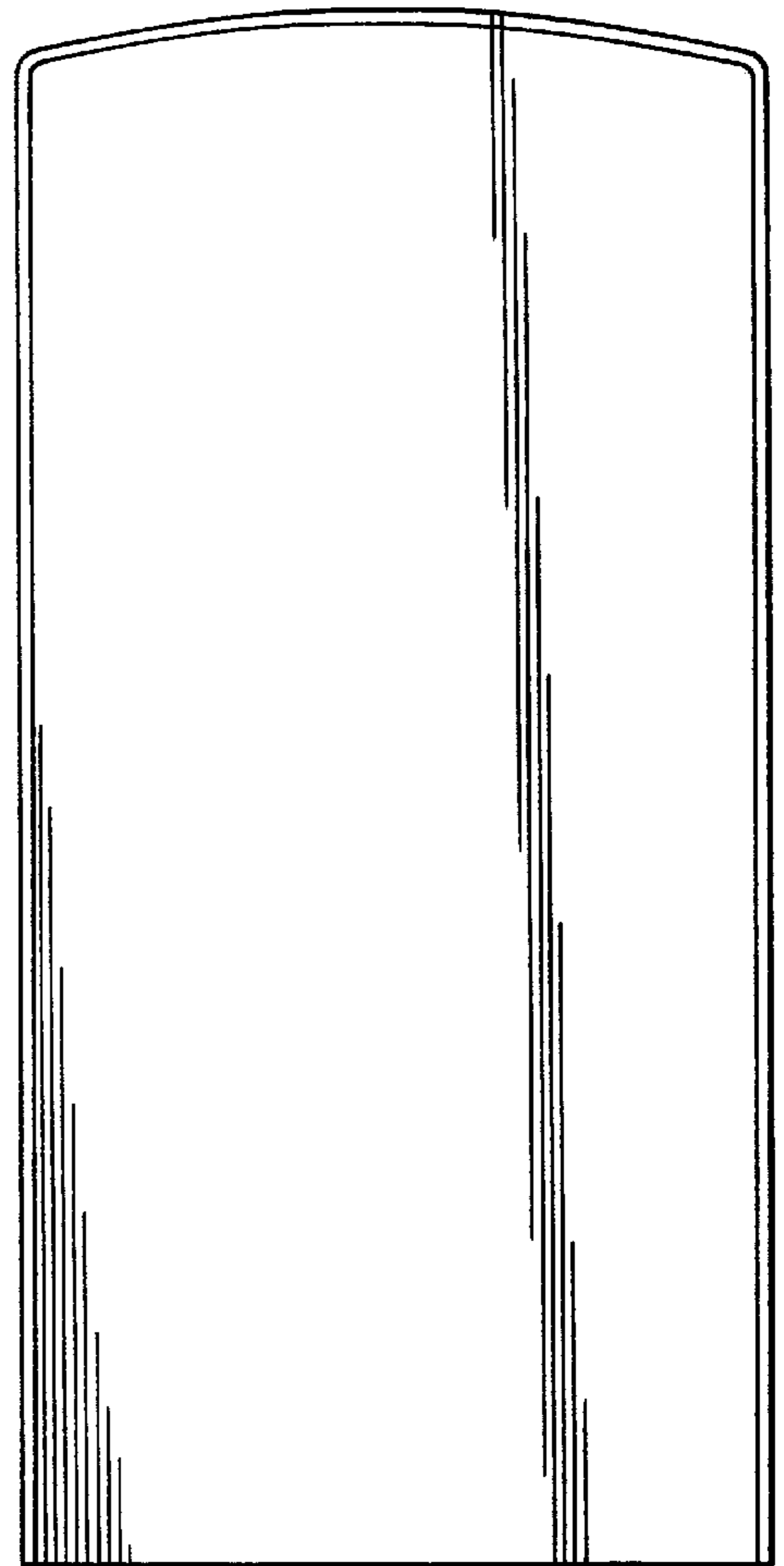
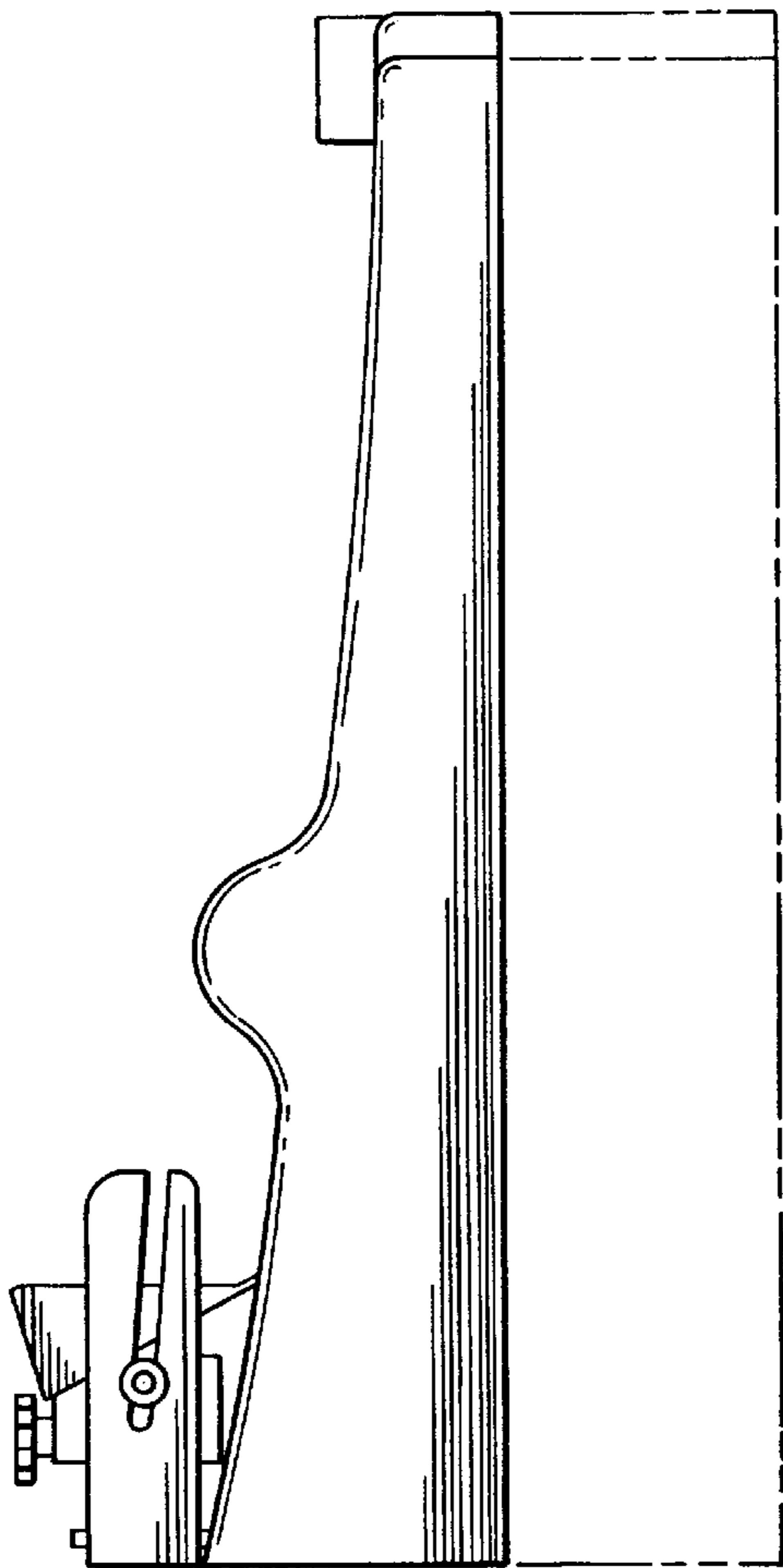


FIG. 5

FIG. 6

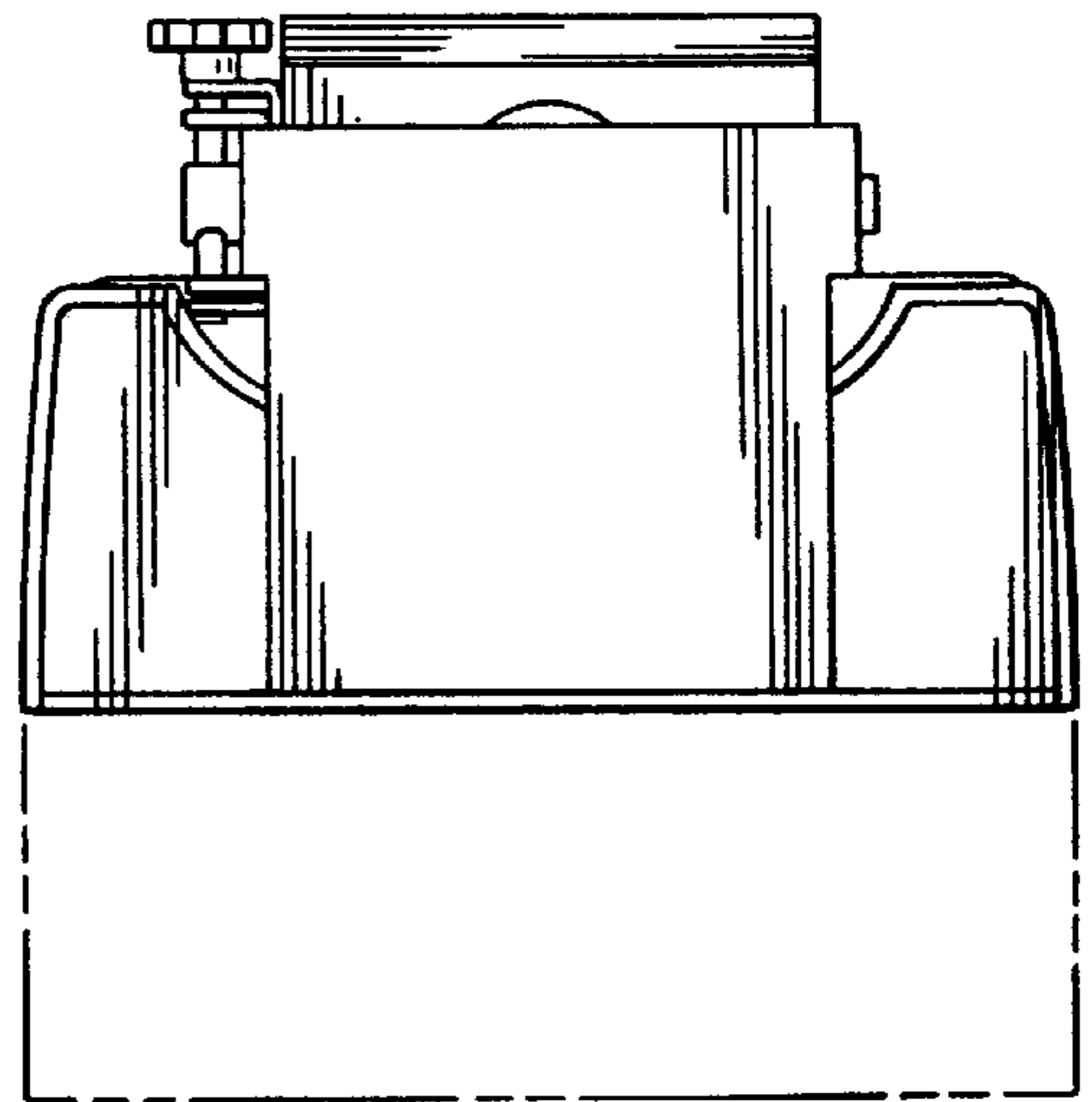
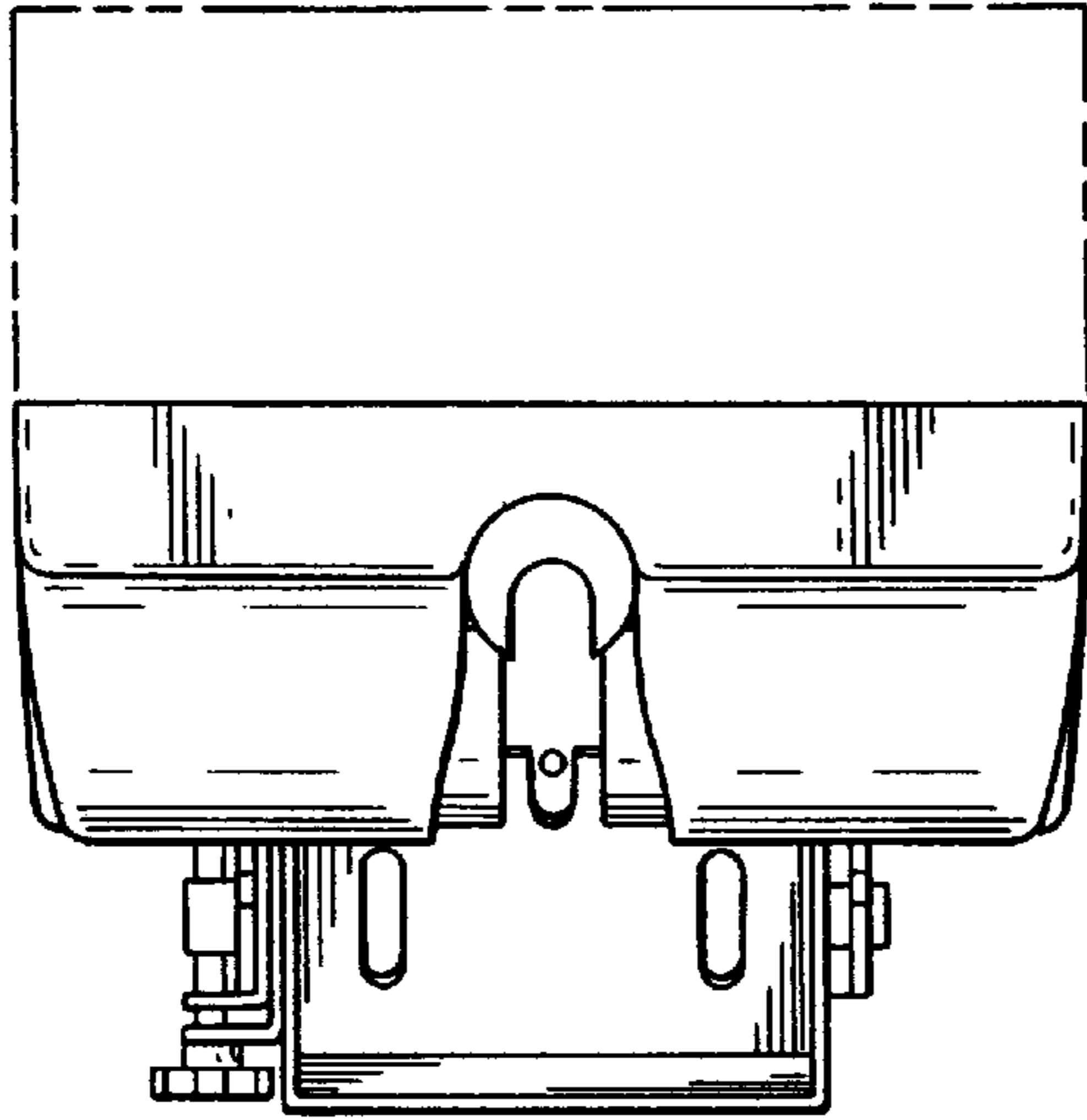


FIG. 7

FIG. 8

