



US00D417877S

United States Patent [19]

Launder et al.

[11] Patent Number: **Des. 417,877**

[45] Date of Patent: **** Dec. 21, 1999**

[54] **DIGGING TOOTH**

[75] Inventors: **Brian L. Launder**, Tulsa; **Charles Clendenning**, Broken Arrow, both of Okla.

[73] Assignee: **H&L Tooth Company**, Tulsa, Okla.

[**] Term: **14 Years**

[21] Appl. No.: **29/076,340**

[22] Filed: **Sep. 8, 1997**

[51] **LOC (6) Cl.** **15-04**

[52] **U.S. Cl.** **D15/29**

[58] **Field of Search** D15/10, 11, 25,
D15/28, 29, 139; 37/446, 452-456; 172/699,
713

[56] **References Cited**

U.S. PATENT DOCUMENTS

- D. 328,466 8/1992 Robinson D15/29
- D. 329,243 9/1992 Robinson D15/29

- D. 336,304 6/1993 Robinson D15/29
- D. 345,364 3/1994 Robinson D15/29
- D. 385,286 10/1997 Moreno D15/29
- D. 392,292 3/1998 Moreno D15/29
- 3,444,633 5/1969 Hensley 37/452

Primary Examiner—Sandra L. Morris
Attorney, Agent, or Firm—John W. Harbst

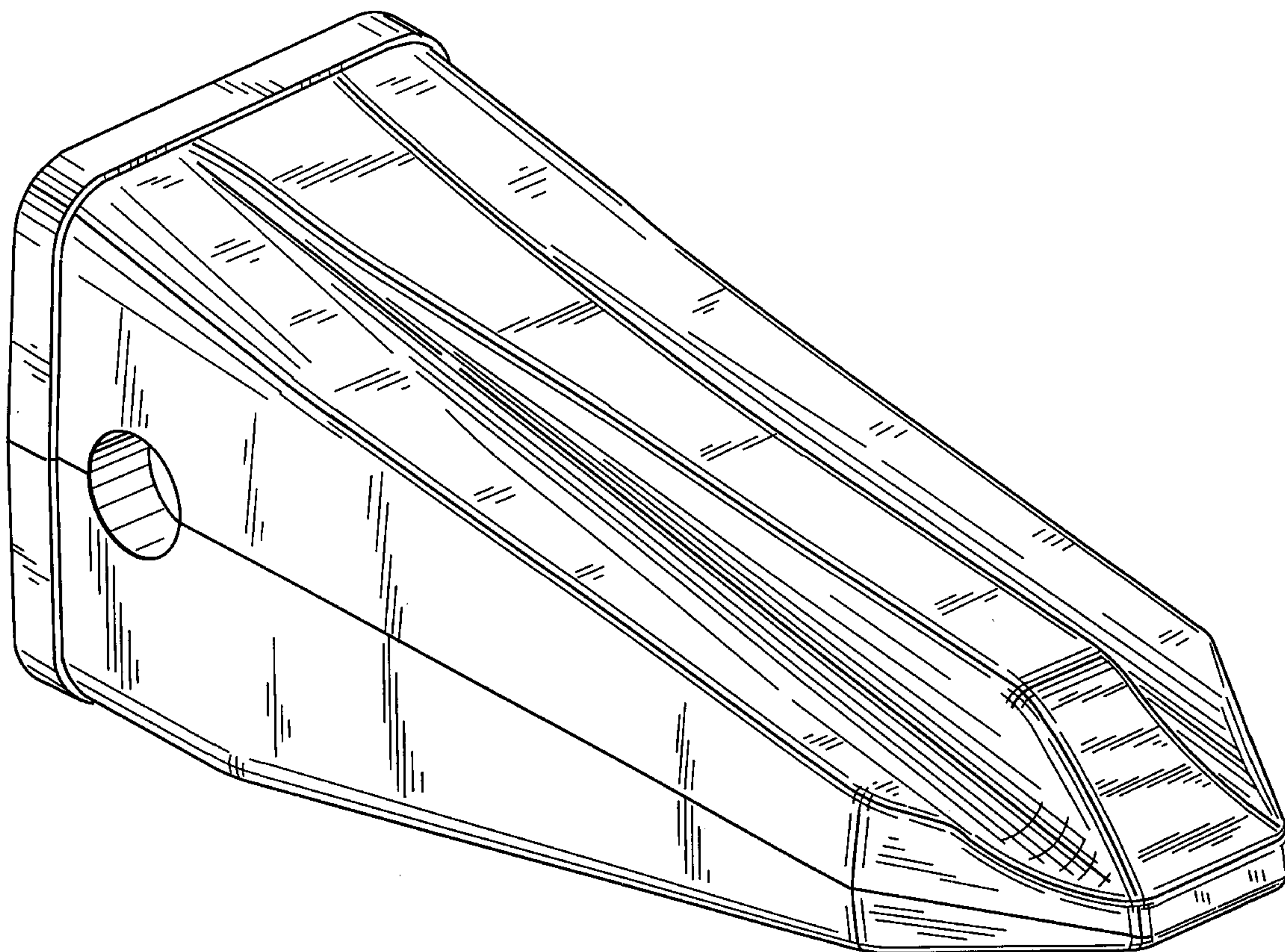
[57] **CLAIM**

The ornamental design for a digging tooth, as shown and described.

DESCRIPTION

FIG. 1 is a front, left side perspective view of a digging tooth showing our new design; FIG. 2 is a right side elevational view thereof; and with the left side elevational view being a mirror image thereof; FIG. 3 is a top plan view thereof; FIG. 4 is a bottom plan view thereof; FIG. 5 is a front end elevational view thereof; and, FIG. 6 is a rear end elevational view thereof.

1 Claim, 4 Drawing Sheets



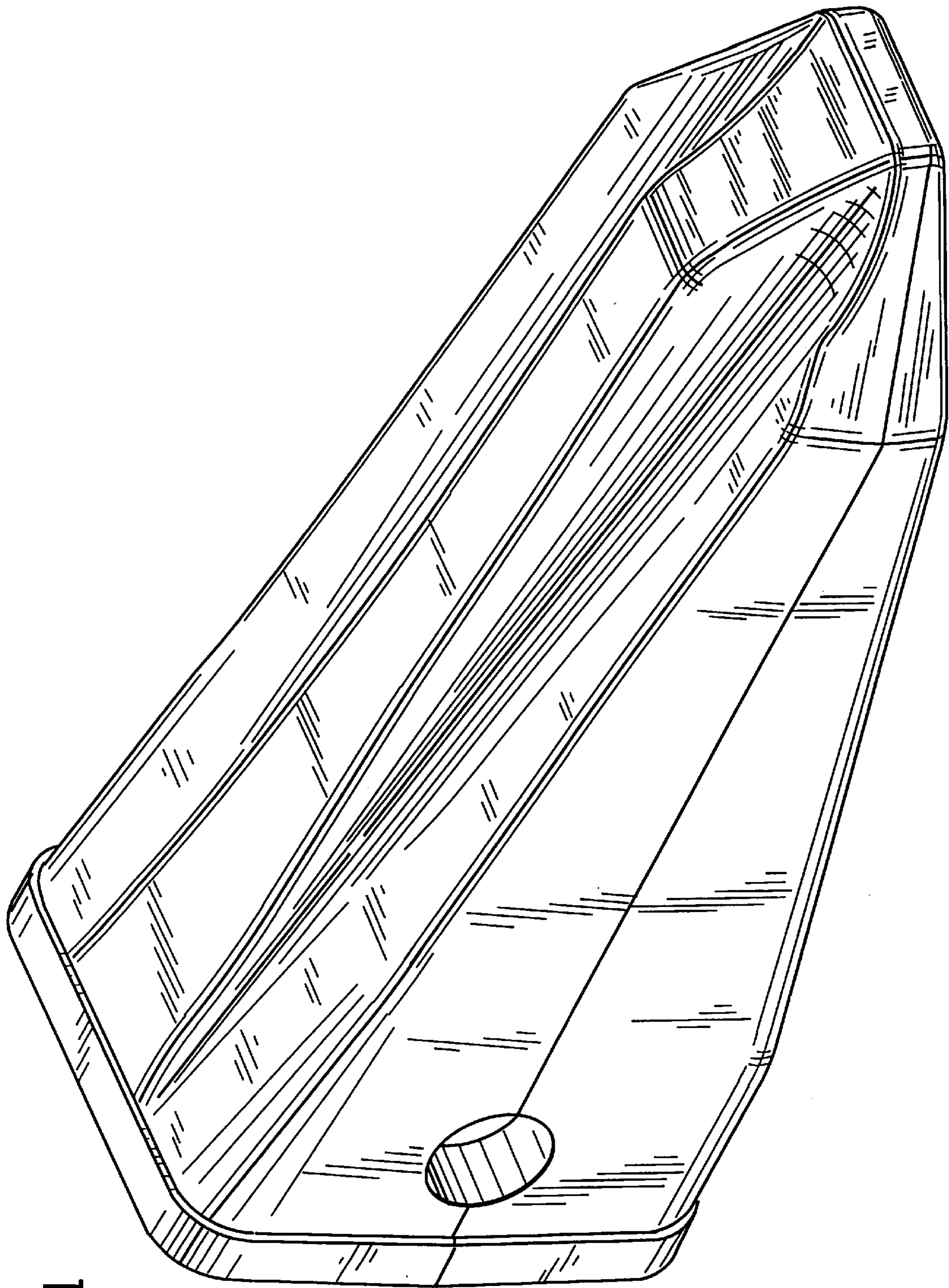


FIG. 1

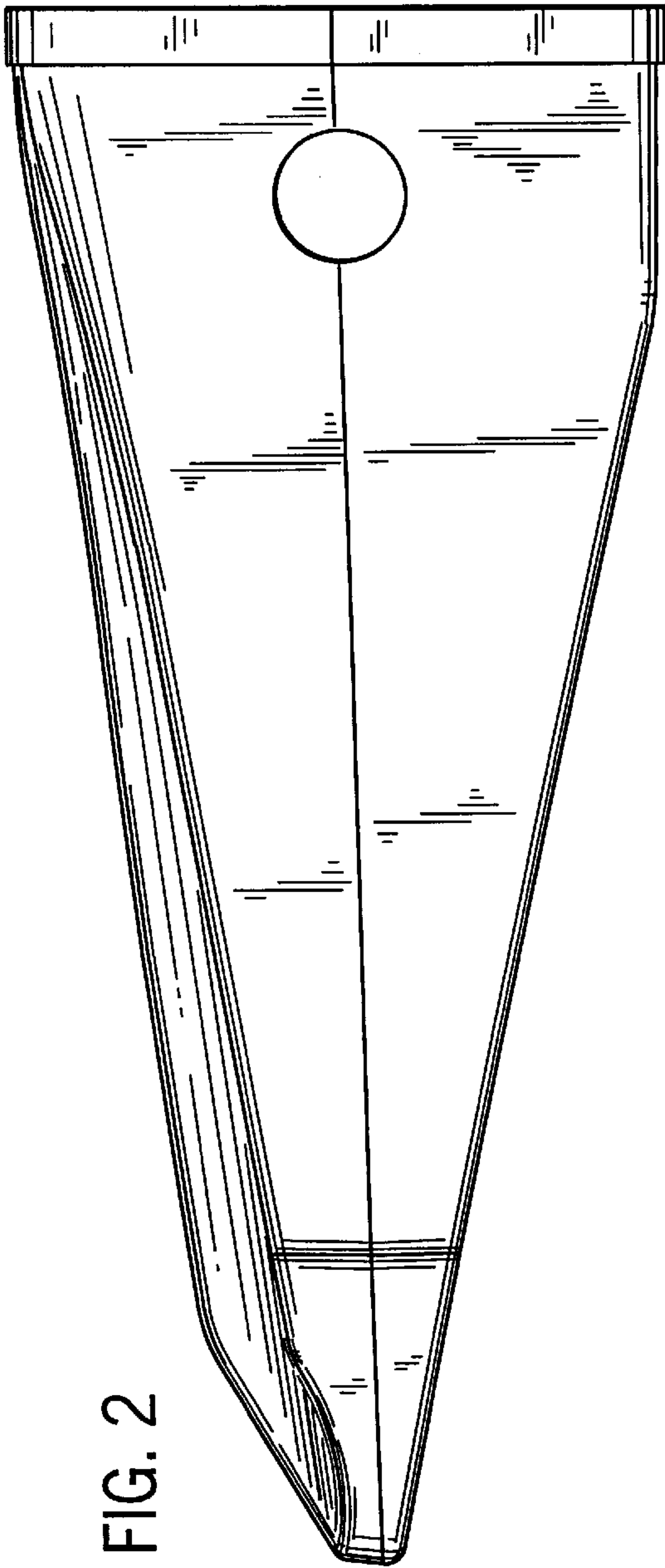


FIG. 2

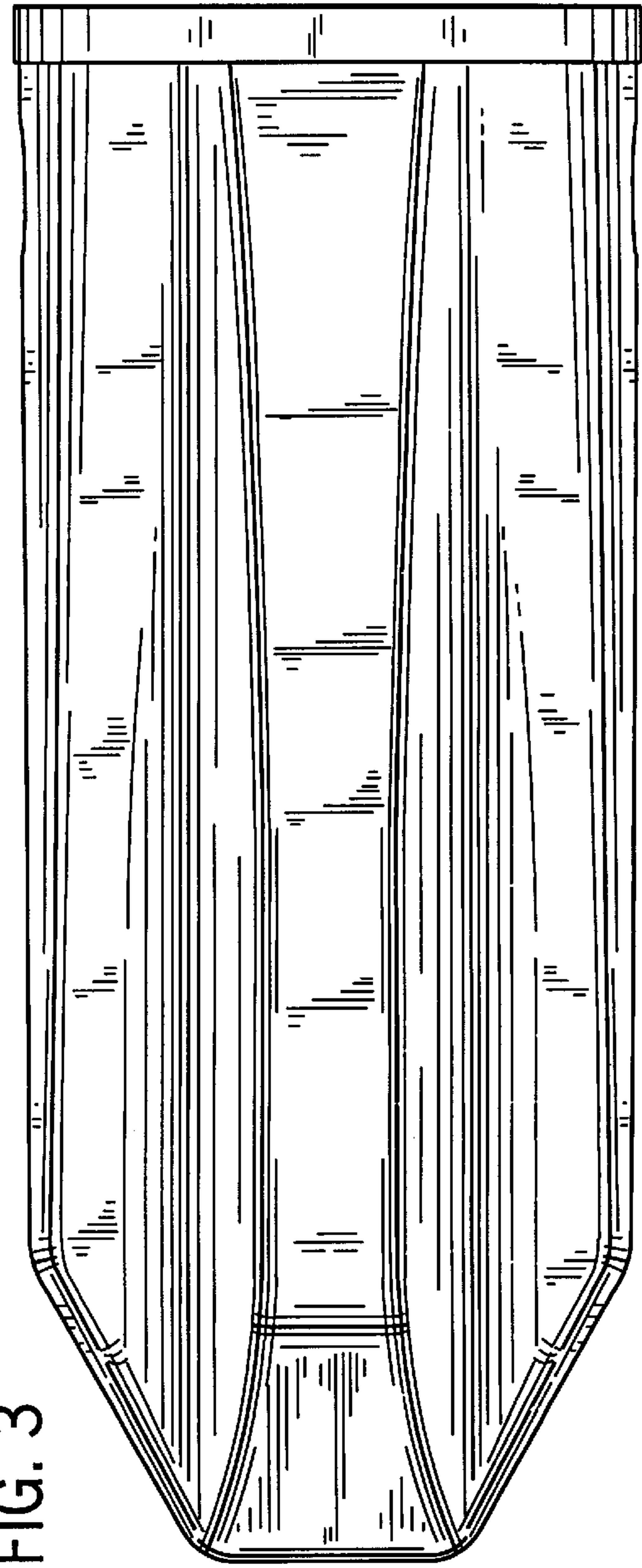


FIG. 3

FIG. 4

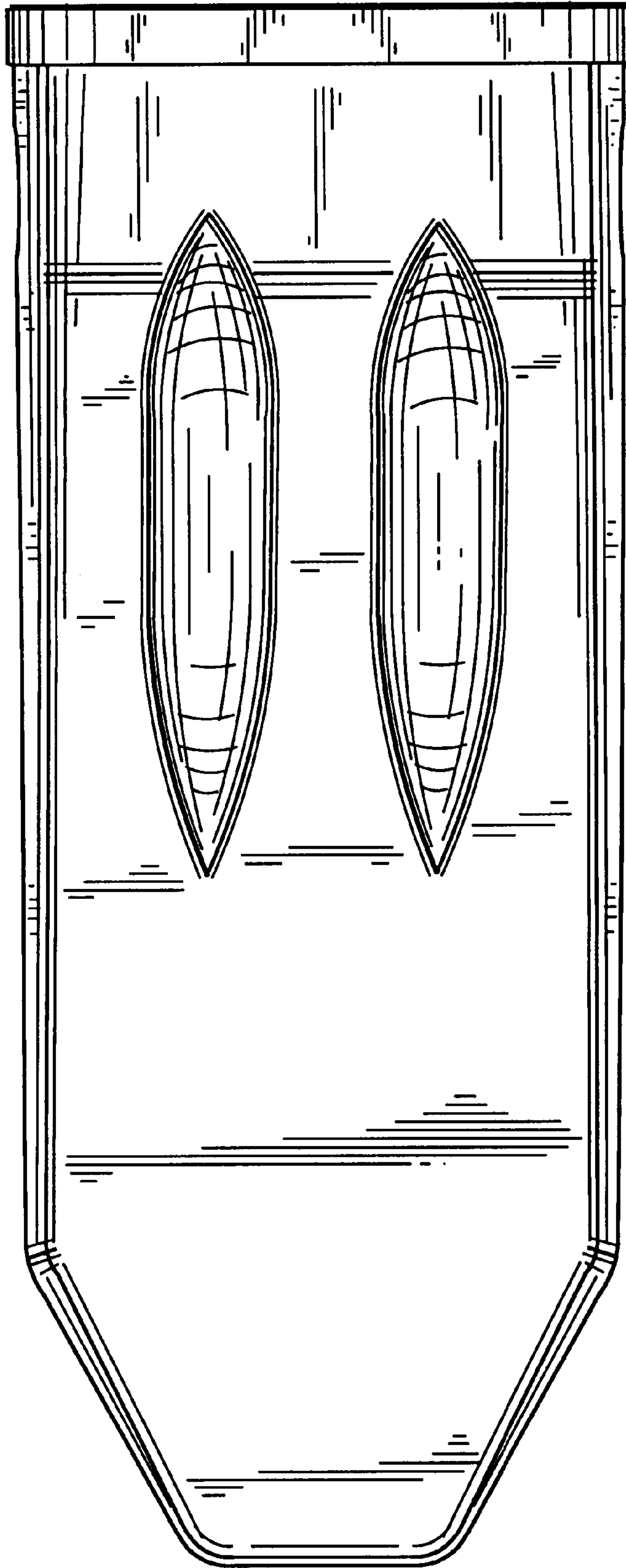


FIG. 5

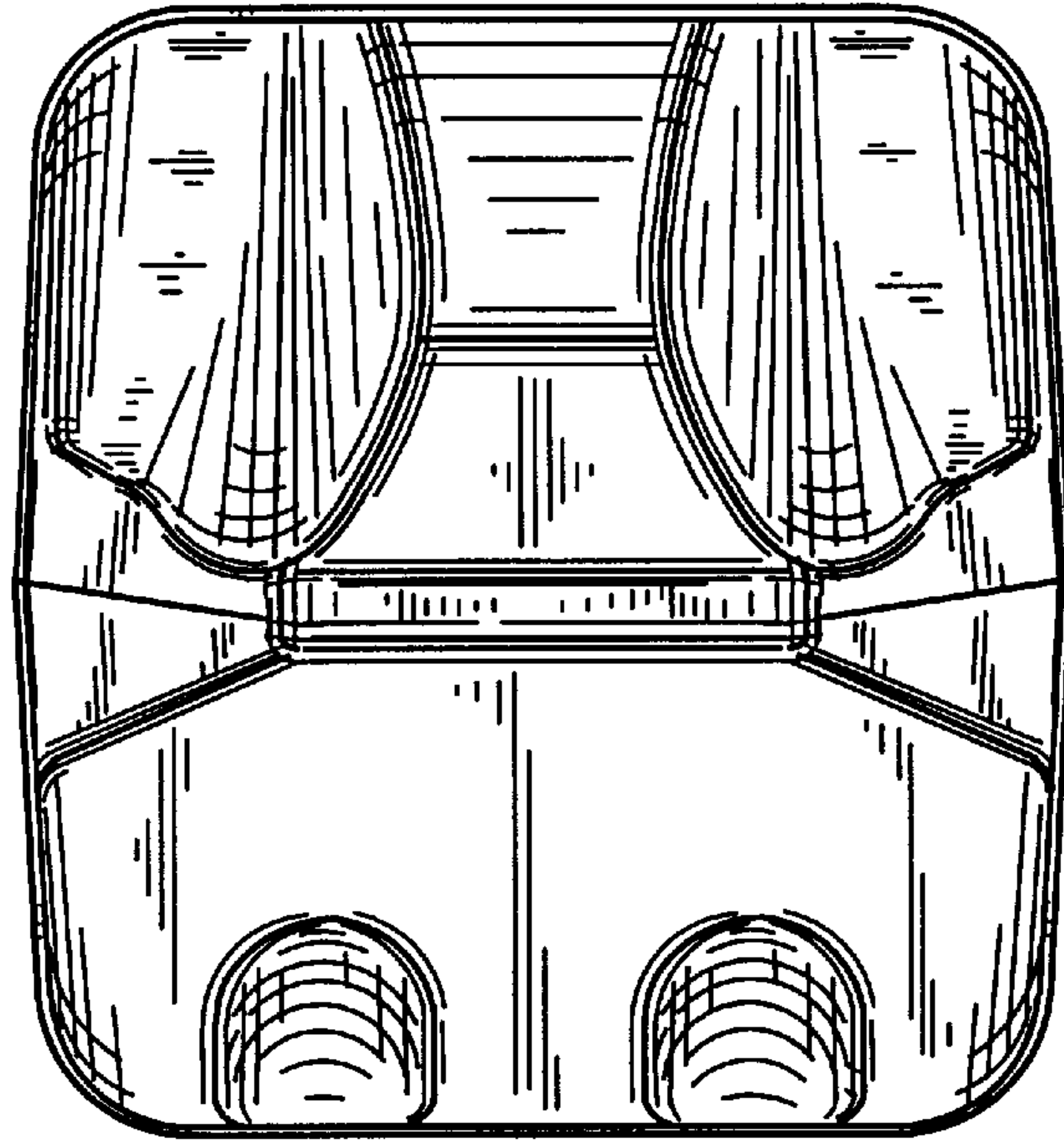


FIG. 6

