



US00D417871S

United States Patent [19]
Hisatsune

[11] **Patent Number: Des. 417,871**

[45] **Date of Patent: ** Dec. 21, 1999**

[54] **WIRELESS RECEIVER**

D. 328,073 7/1992 Yamakawa D14/198 X
D. 328,747 8/1992 Ito et al. D14/188

[75] Inventor: **Toshiyuki Hisatsune**, Tokyo, Japan

OTHER PUBLICATIONS

[73] Assignee: **Sony Corporation**, Tokyo, Japan

“Sony Broadcast” catalog, p. 90, Sony (Oct. 1995).

[**] Term: **14 Years**

Primary Examiner—Nanda Bondade
Attorney, Agent, or Firm—Foley & Lardner

[21] Appl. No.: **29/087,286**

[57] **CLAIM**

[22] Filed: **Apr. 30, 1998**

The ornamental design for a wireless receiver, as shown and described.

[51] **LOC (6) Cl.** **14-03**

DESCRIPTION

[52] **U.S. Cl.** **D14/188; D14/217**

[58] **Field of Search** D14/135, 136,
D14/156, 157, 160–162, 167, 168, 188,
193–198, 224, 229, 257–260, 265; 181/158,
242; 369/75.1, 75.2, 77.1, 77.2; 455/90,
100, 344, 347, 350, 351

FIG. 1 is a perspective view of a wireless receiver showing my new design;
FIG. 2 is a top plan view thereof;
FIG. 3 is a left side elevational view thereof;
FIG. 4 is a front elevational view thereof;
FIG. 5 is a bottom plan view thereof;
FIG. 6 is a right side elevational view thereof; and,
FIG. 7 is a rear elevational view thereof.

[56] **References Cited**

U.S. PATENT DOCUMENTS

D. 250,535 12/1978 Kato D14/198
D. 252,809 9/1979 Bocko D14/197

1 Claim, 4 Drawing Sheets

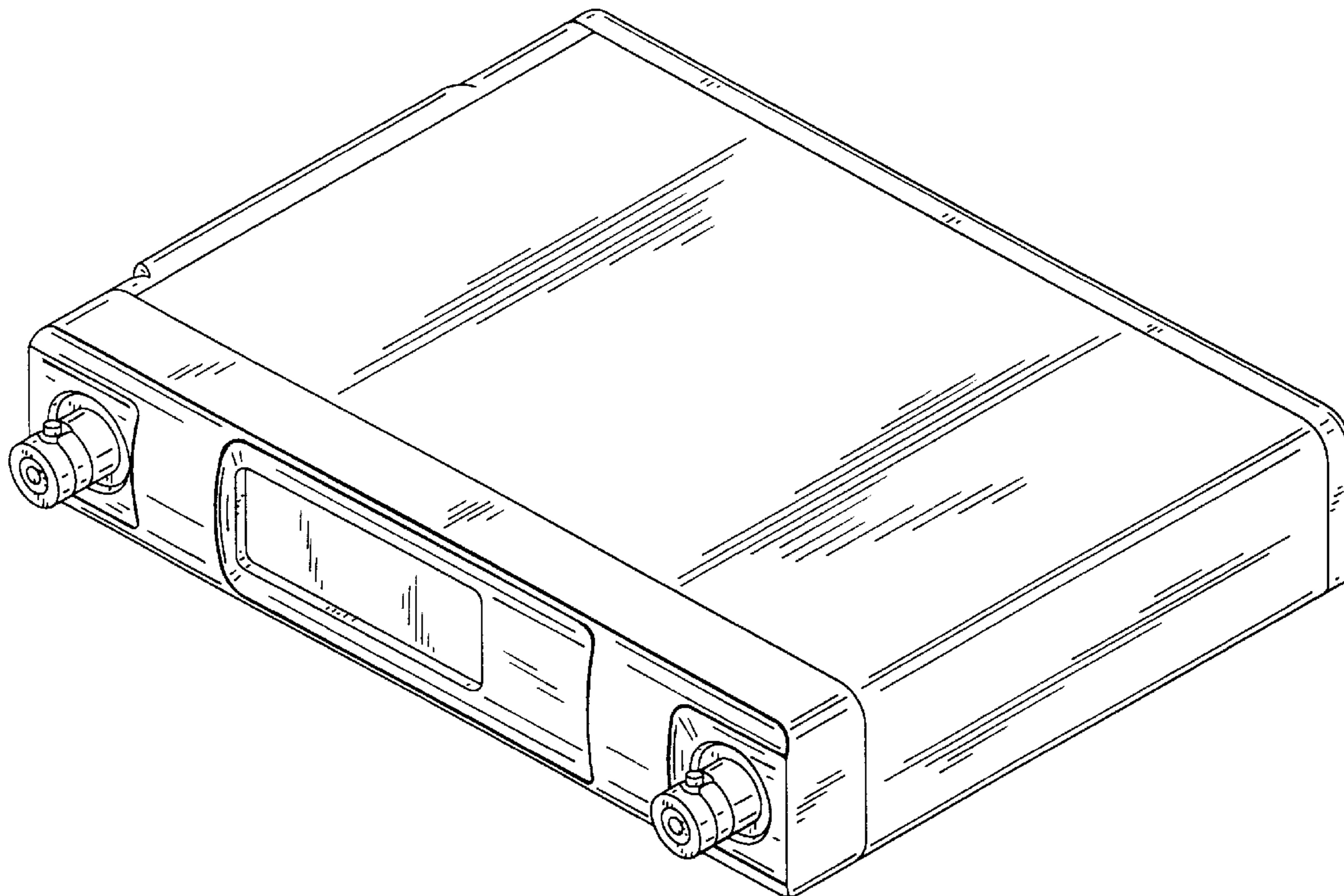


FIG. 1

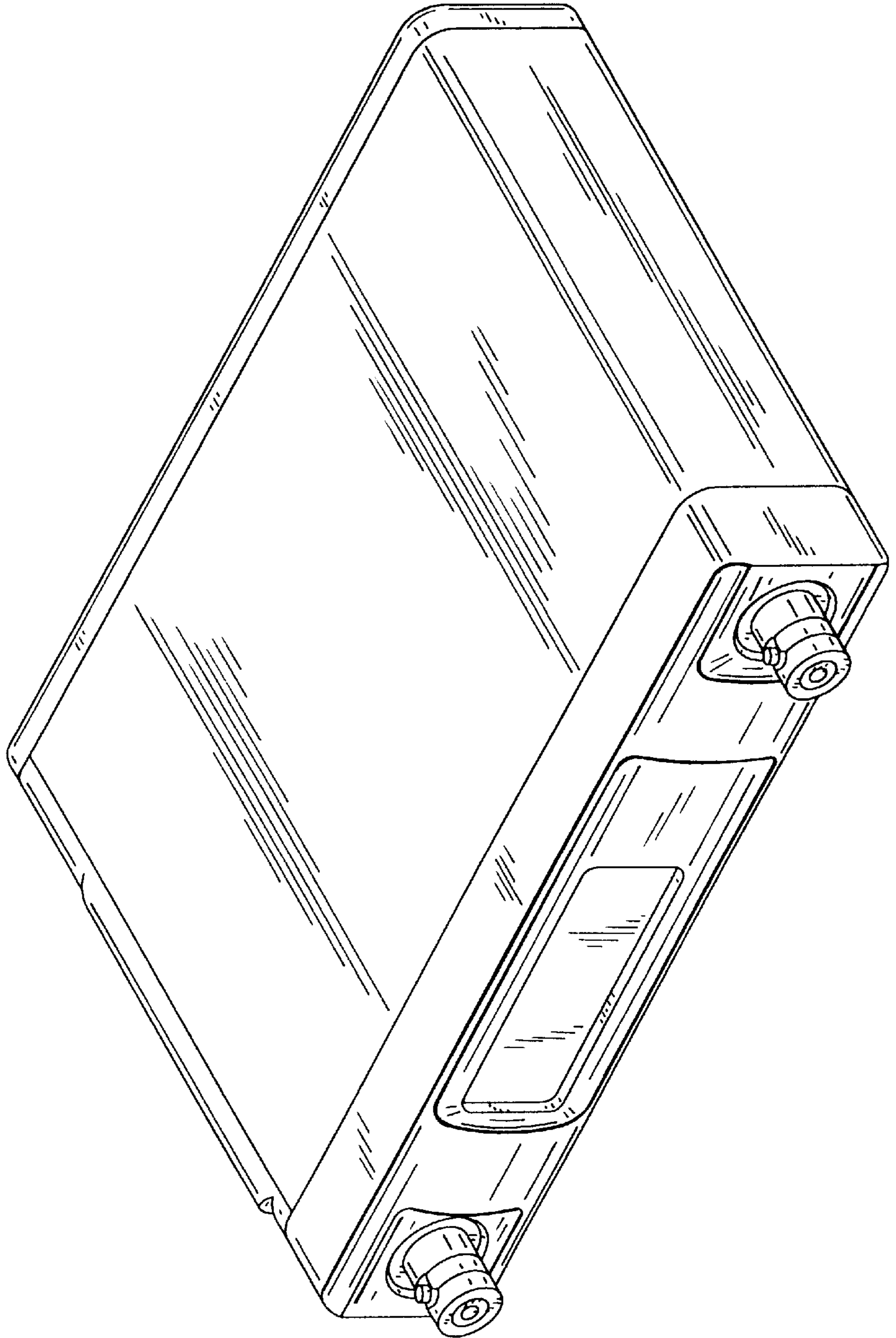


FIG. 2

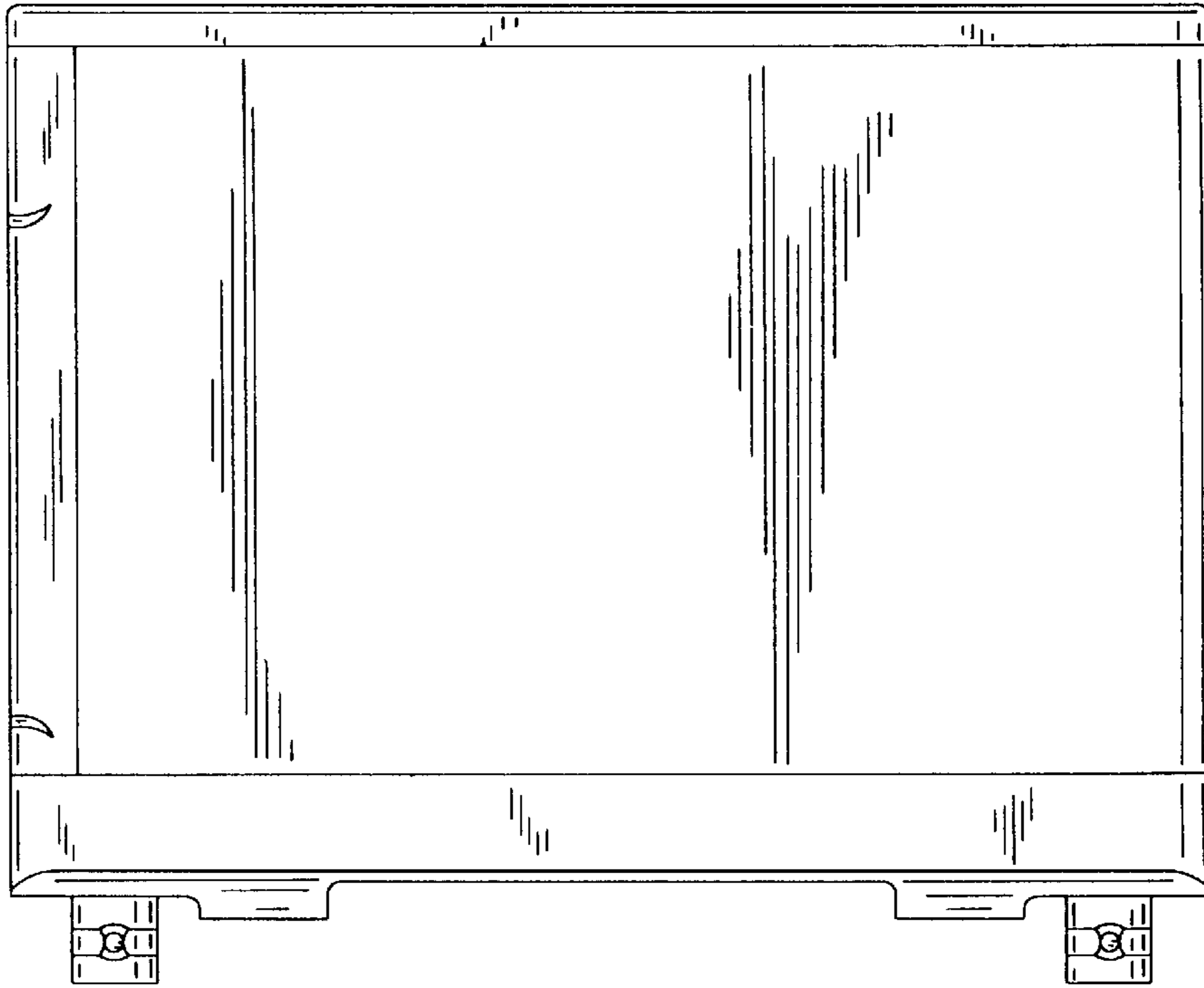


FIG. 5

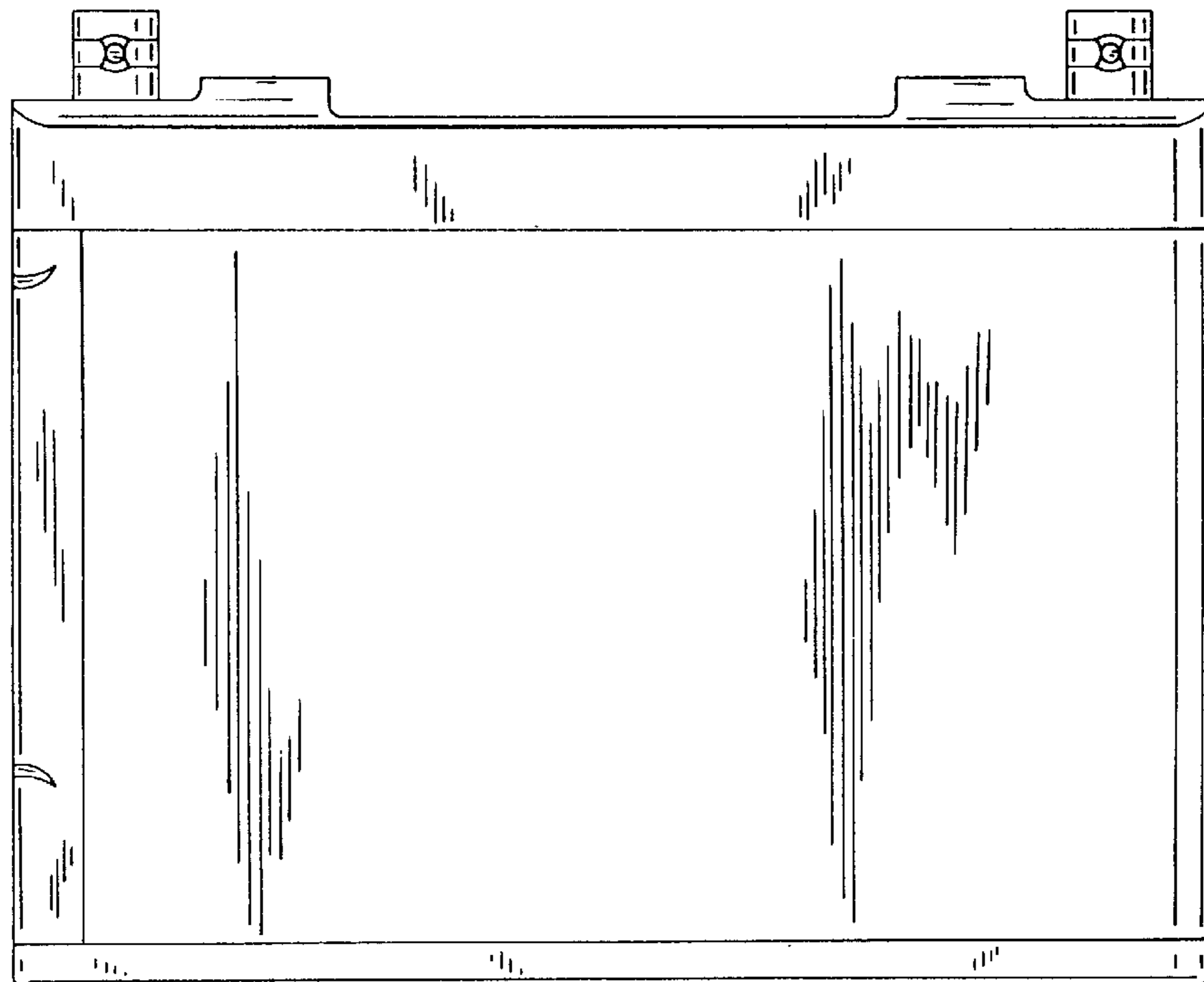


FIG. 6

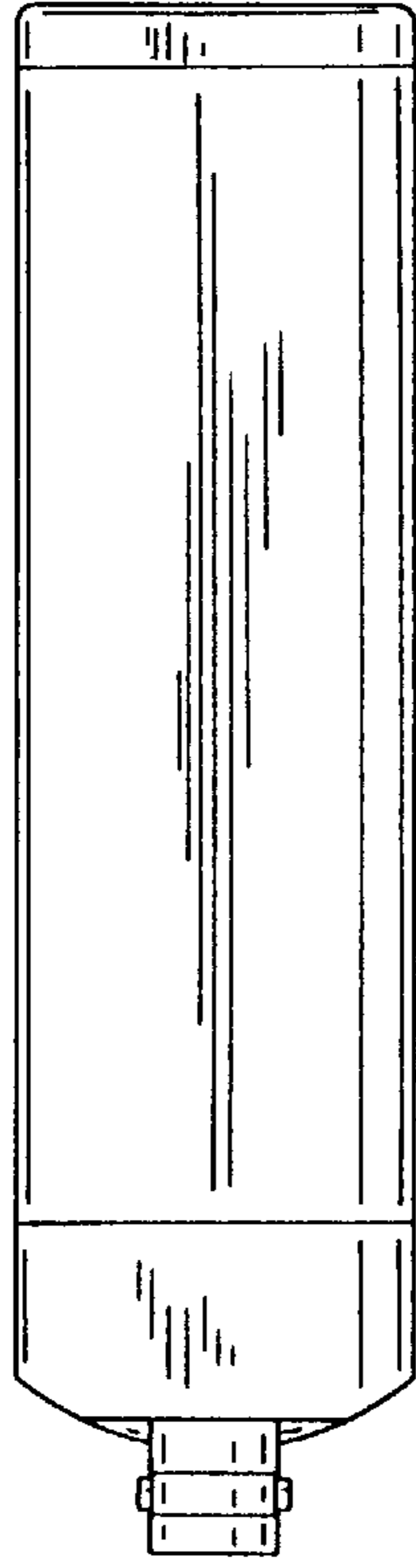


FIG. 3

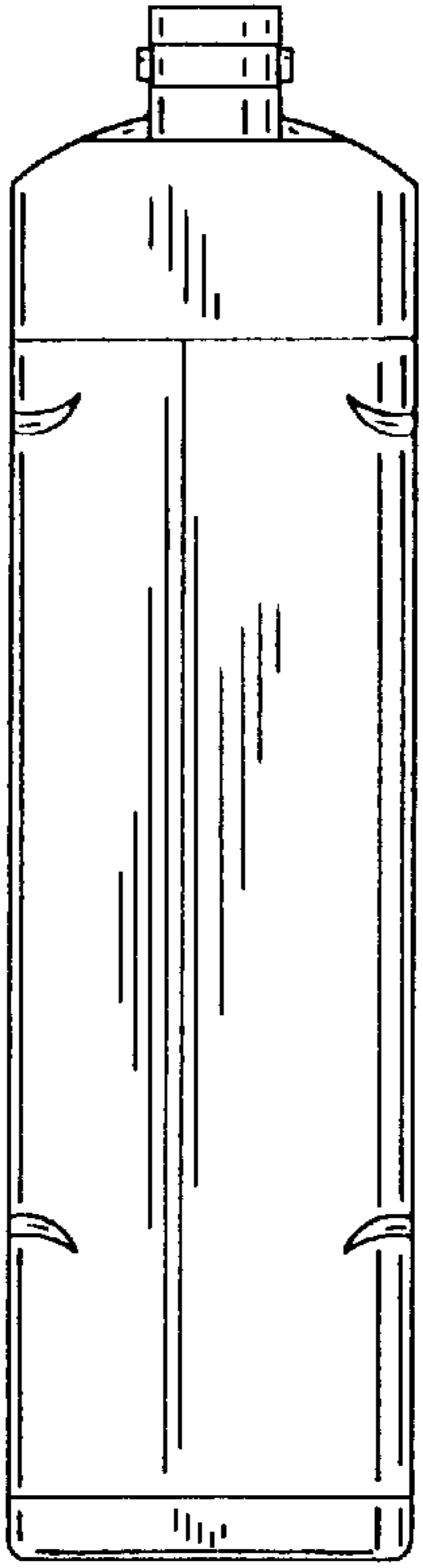


FIG. 4

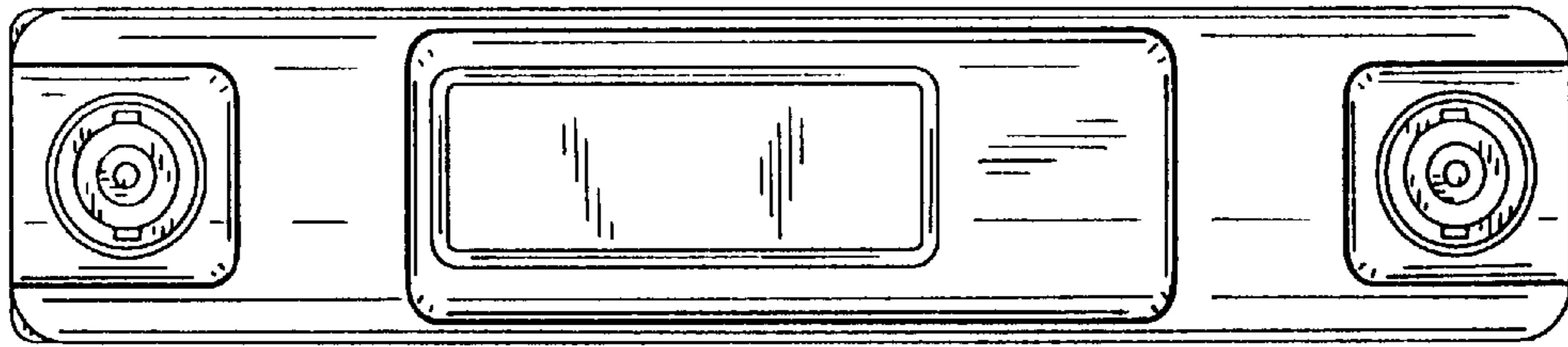


FIG. 7

