



US00D417868S

United States Patent [19]
Mohri

[11] **Patent Number: Des. 417,868**
[45] **Date of Patent: ** Dec. 21, 1999**

[54] **TAPE RECORDER**

[75] Inventor: **Akinari Mohri**, Tokyo, Japan

[73] Assignee: **Sony Corporation**, Tokyo, Japan

[**] Term: **14 Years**

[21] Appl. No.: **29/088,284**

[22] Filed: **May 20, 1998**

[51] **LOC (6) Cl.** **14-01**

[52] **U.S. Cl.** **D14/165**

[58] **Field of Search** D14/124, 160-165,
D14/167-168, 188, 189, 192-198; D16/202;
455/341, 347-351

[56] **References Cited**

U.S. PATENT DOCUMENTS

D. 323,166 1/1992 Hino et al. D14/188 X

D. 366,874 2/1996 Robinson et al. D14/163

OTHER PUBLICATIONS

Hong Kong Enterprise page 860, model No. B4001, Mega-
phone with sound generator, Oct. 1990.

Hong Kong Enterprise page 604, model No.
8130S, Sing-A-Long Cassette Recorder, Jun. 1993.

Sony Catalog "88", pp. 21, and 359, (Mar. 1998).

Primary Examiner—Nanda Bondade

Attorney, Agent, or Firm—Foley & Lardner

[57] **CLAIM**

The ornamental design for a tape recorder, as shown and
decribed.

DESCRIPTION

FIG. 1 is a perspective view of a first embodiment of a tape
recorder showing my new design;

FIG. 2 is a top plan view thereof;

FIG. 3 is a left side elevational view thereof;

FIG. 4 is a front elevational view thereof;

FIG. 5 is a right side elevational thereof; and,

FIG. 6 is a rear elevational view thereof.

FIG. 7 is a perspective view thereof, wherein the lid portion
is in the open position. The broken lines showing the inside
of the tape recorder is for illustrative purposes only and form
no part of the claimed design;

FIG. 8 is a perspective view of a second embodiment of FIG.
1;

FIG. 9 is a top plan view thereof;

FIG. 10 is a left side elevational view thereof;

FIG. 11 is a front elevational view thereof;

FIG. 12 is a right side elevational view thereof; and,

FIG. 13 is a rear elevational view thereof.

FIG. 14 is perspective view thereof, wherein the lid portion
is in the open position. The broken lines showing the inside
of the tape recorder is for illustrative purposes only and
forms no part of the claimed design.

1 Claim, 8 Drawing Sheets

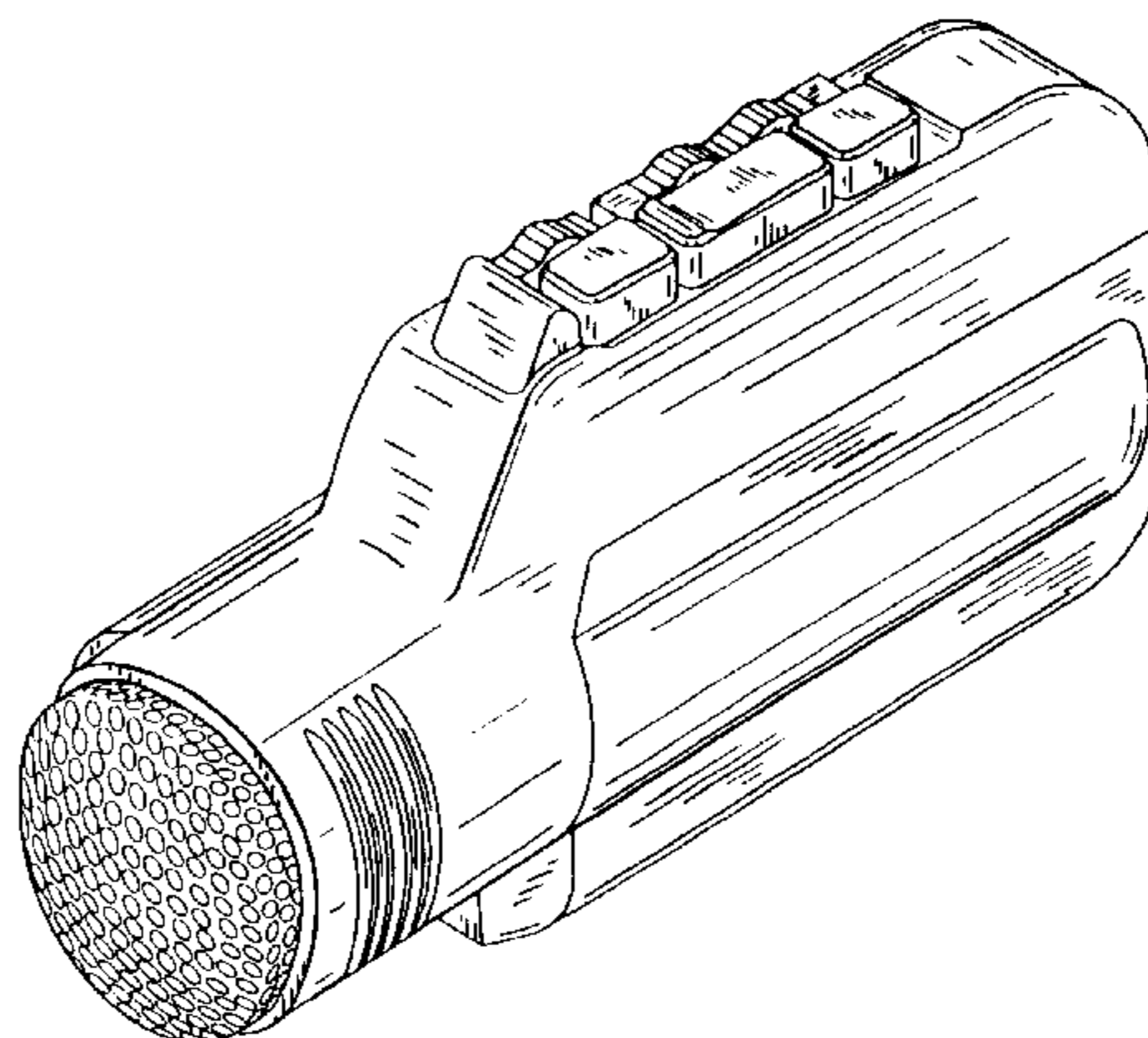
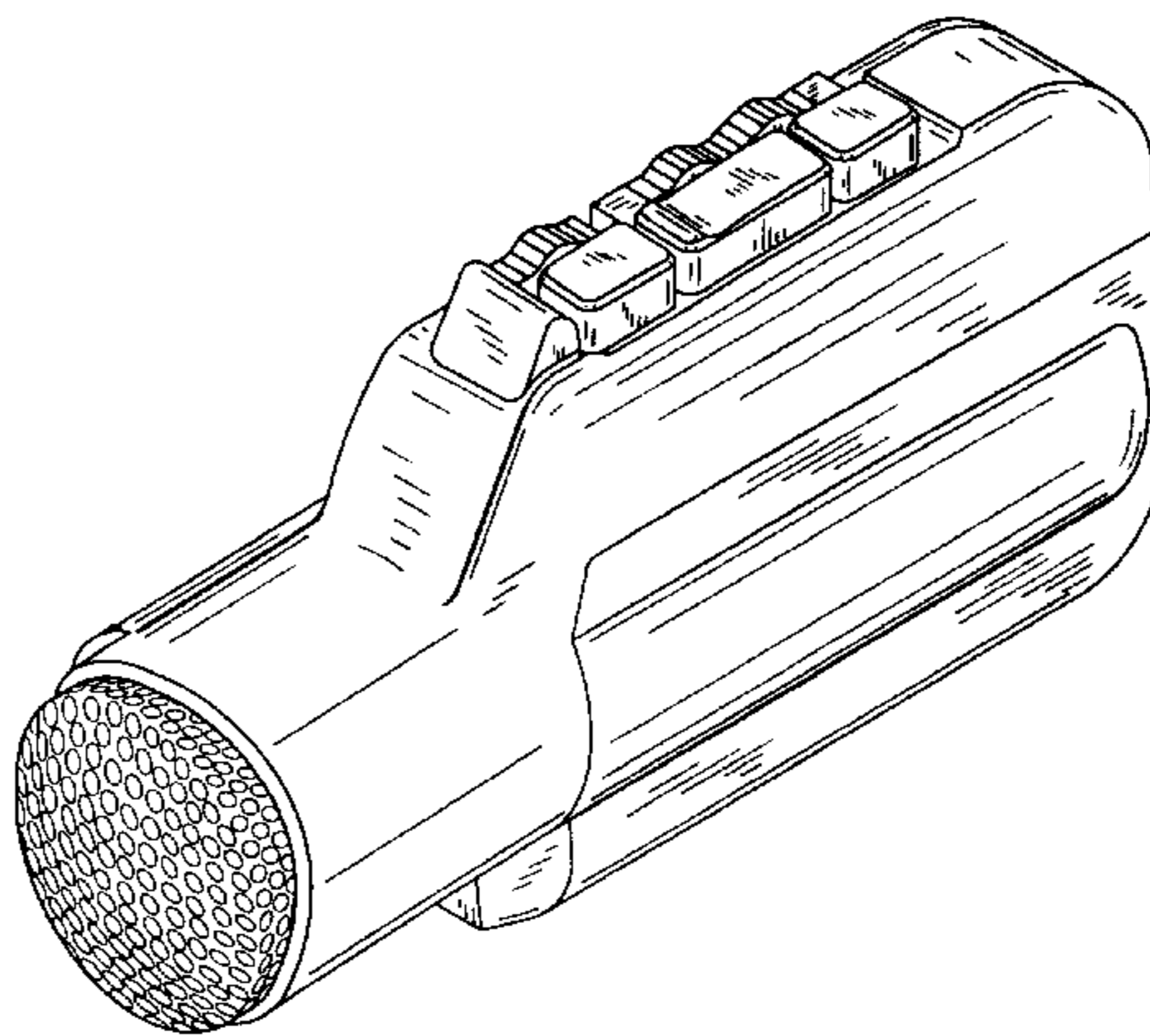


FIG. 1

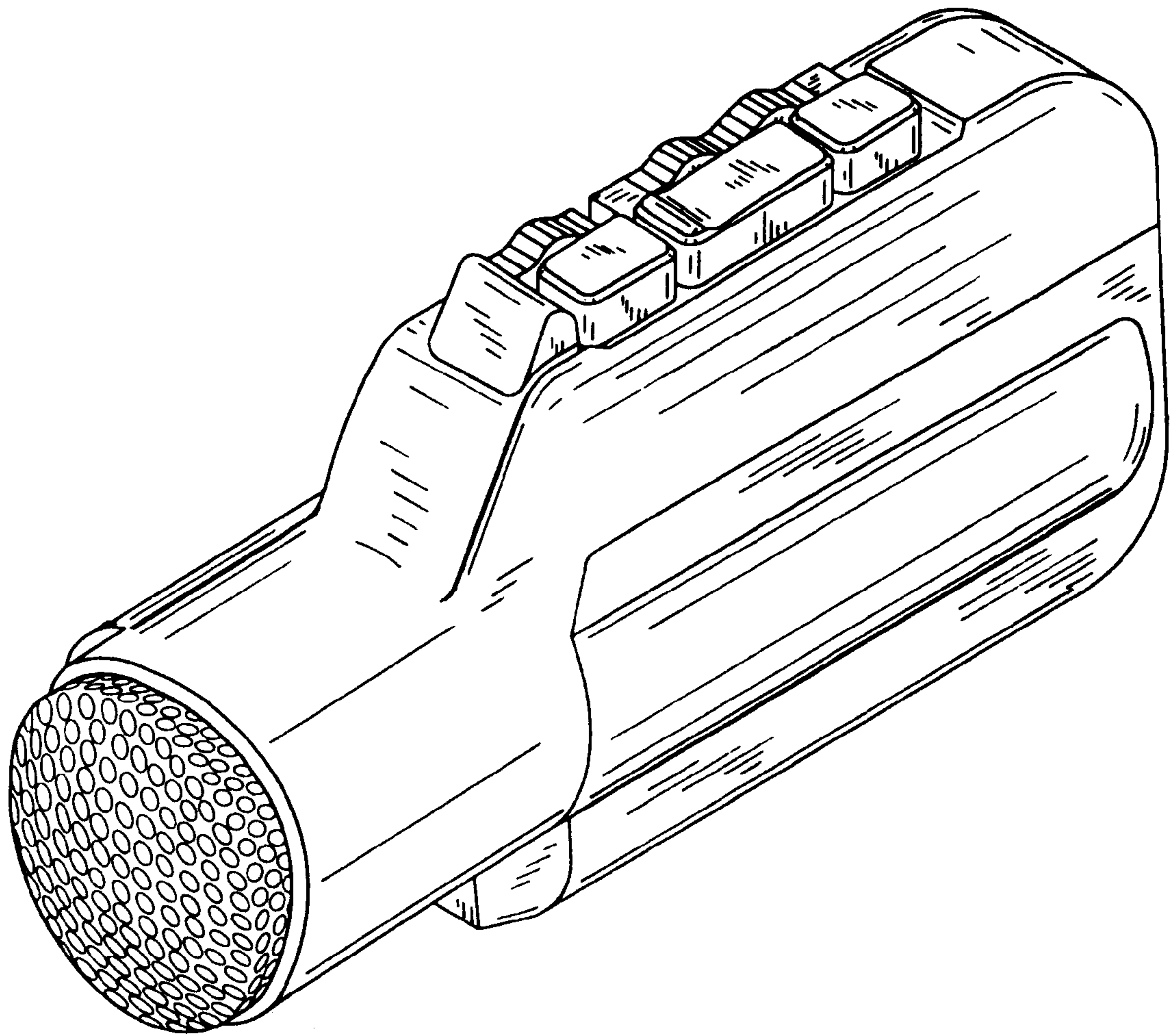


FIG.2

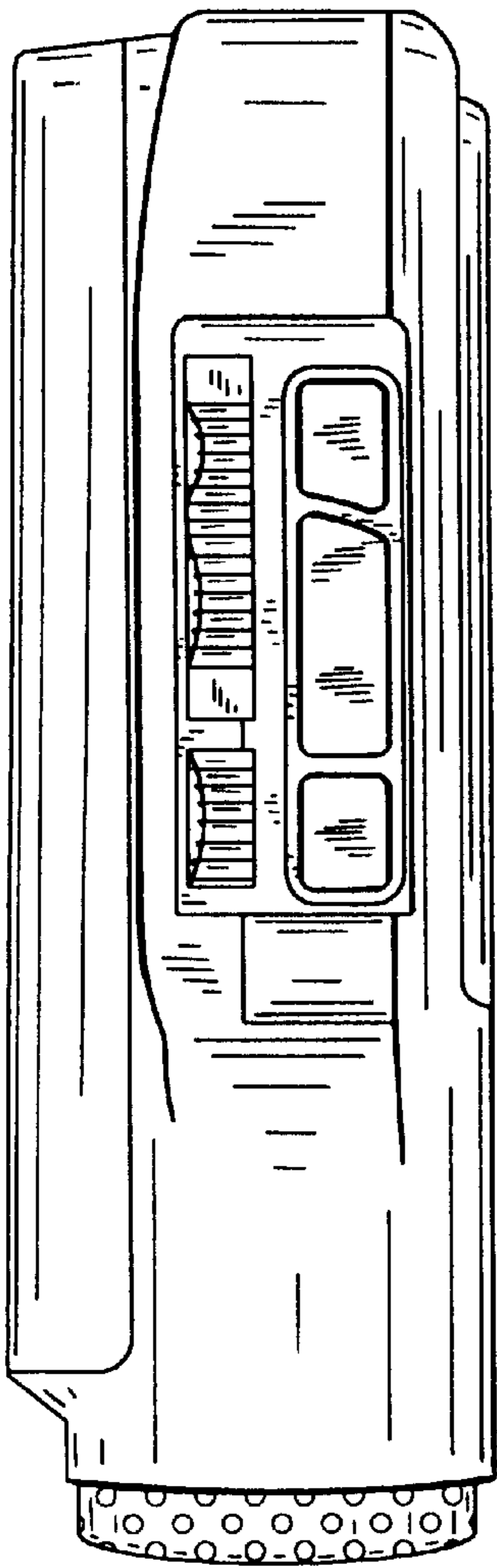


FIG.6

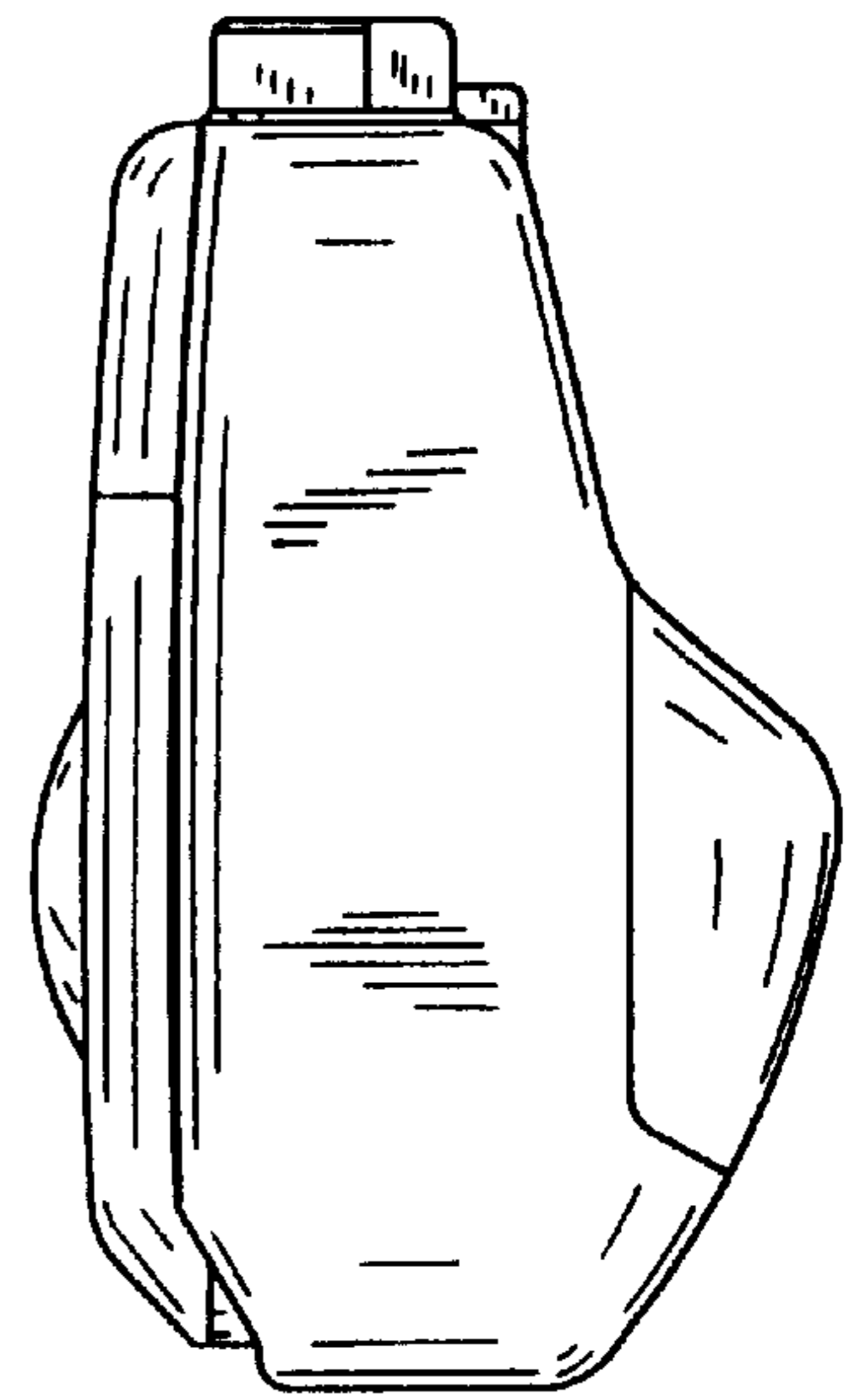


FIG.4

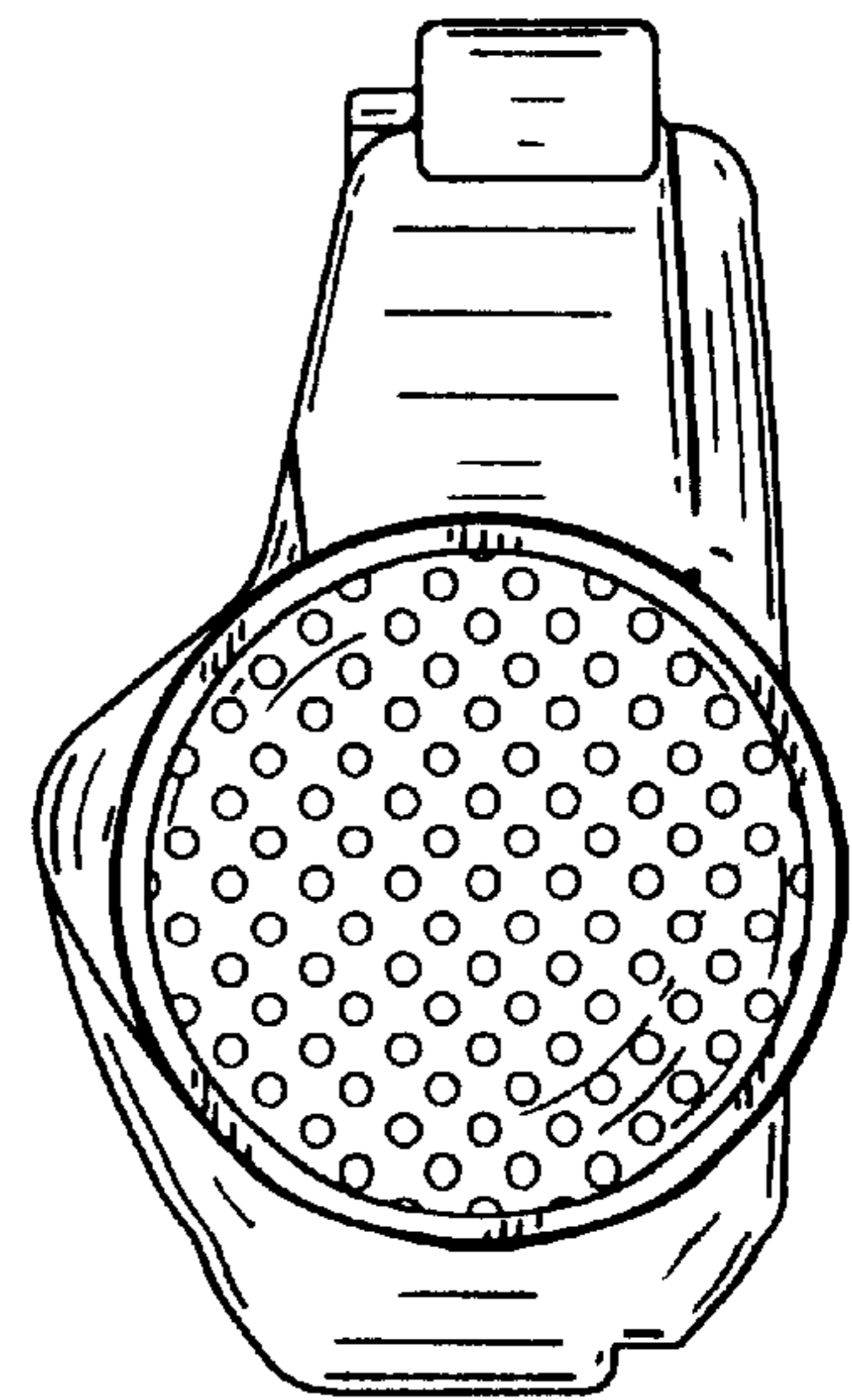


FIG.3

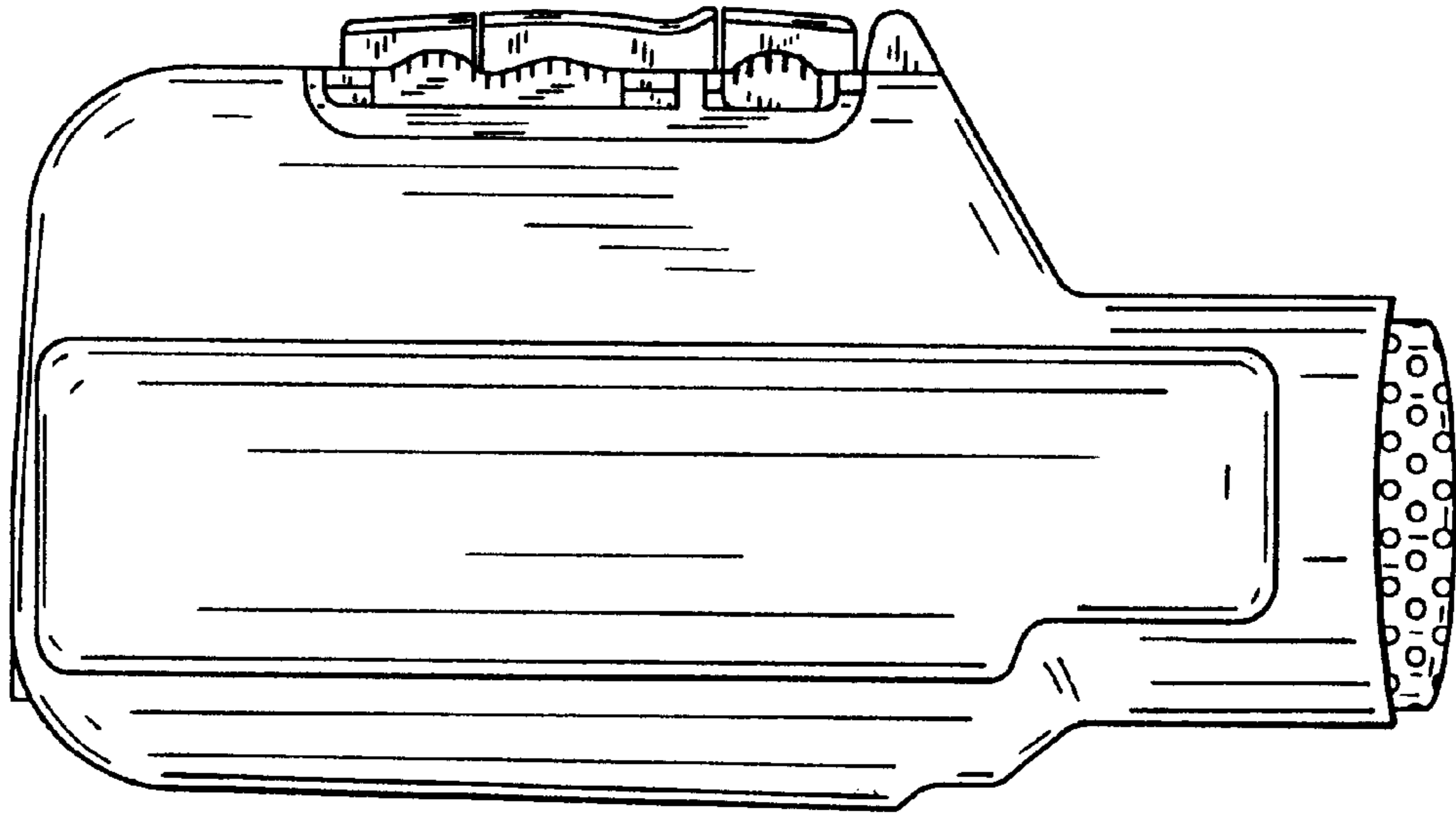


FIG.5

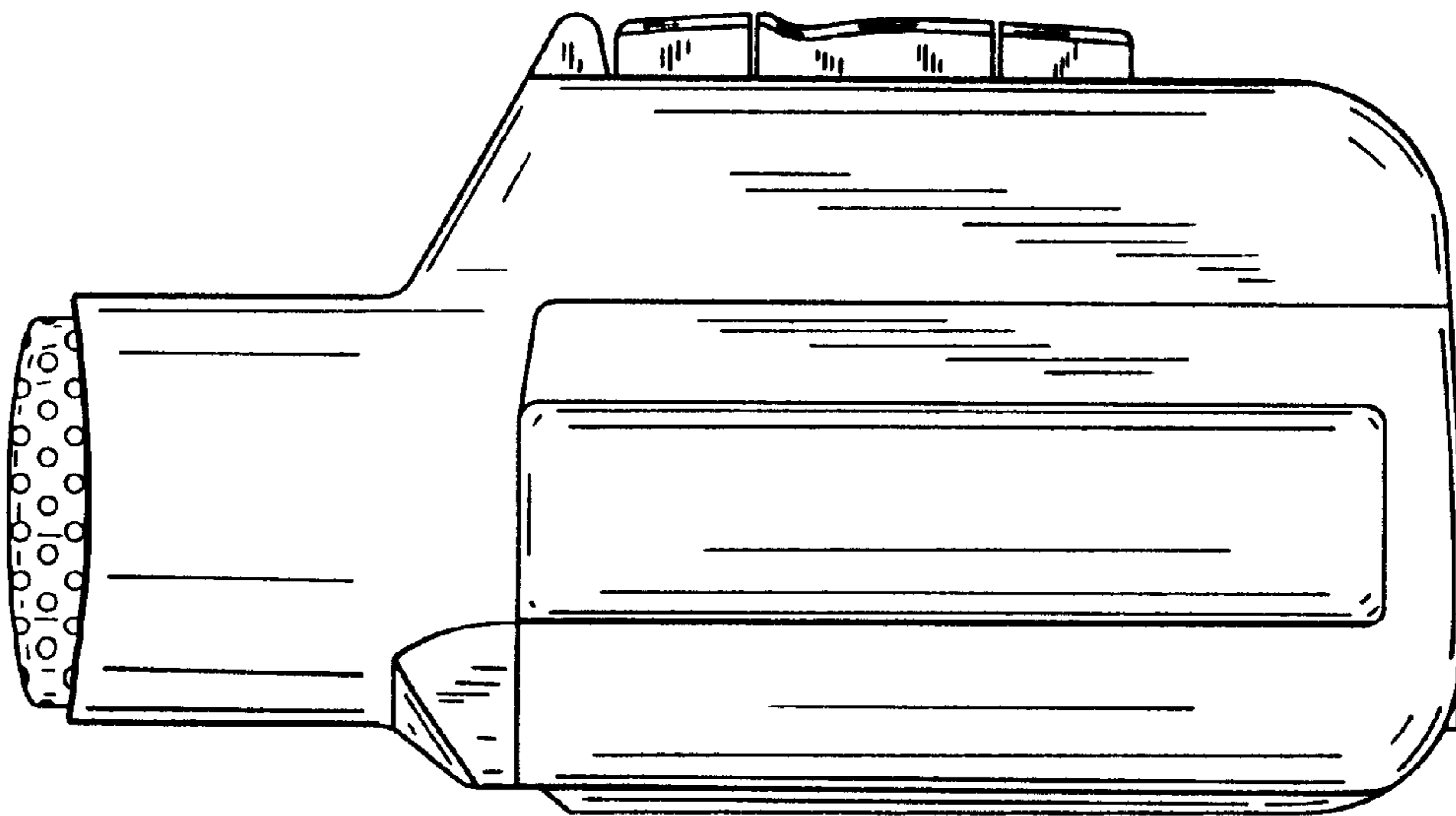


FIG. 7

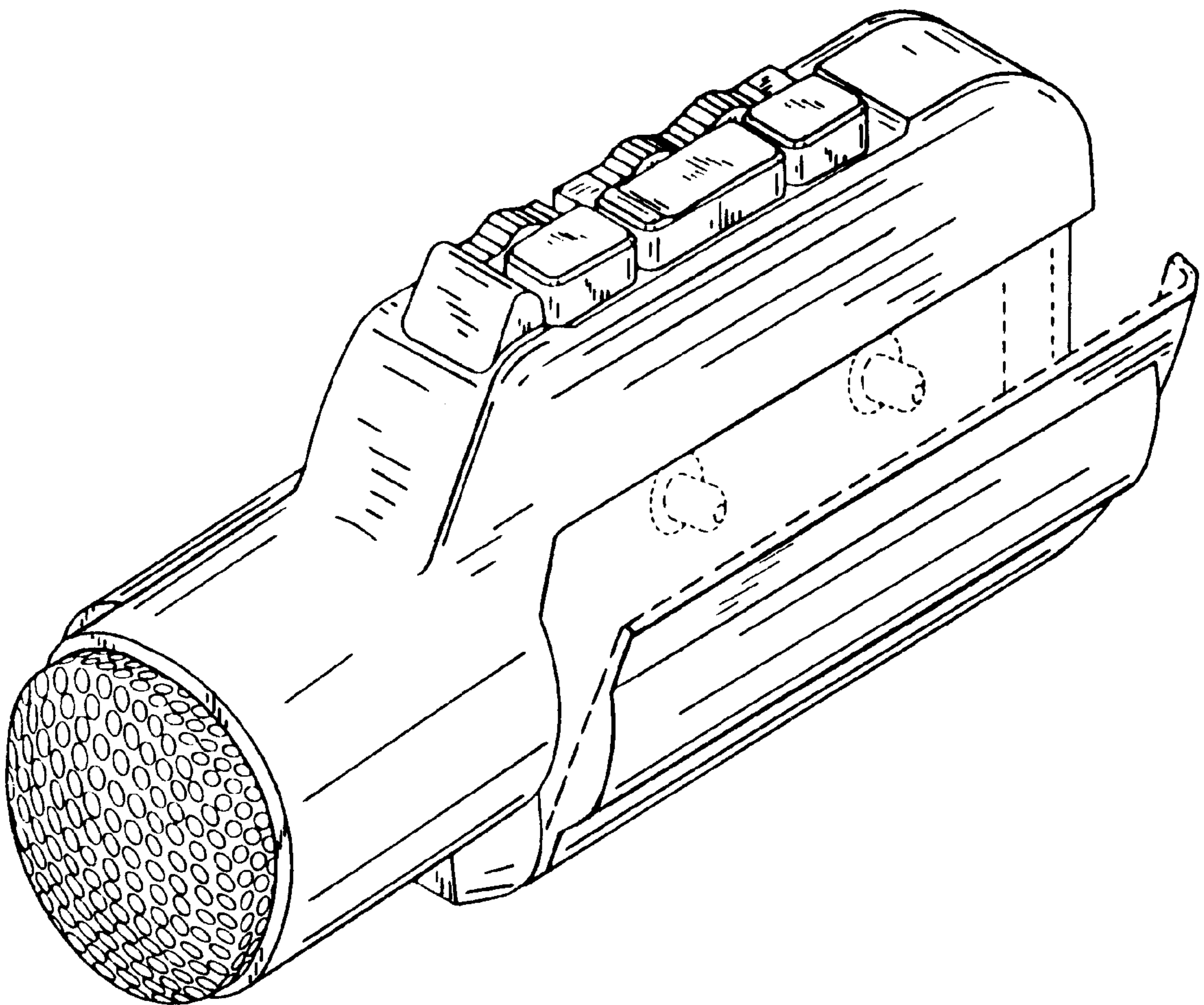


FIG. 8

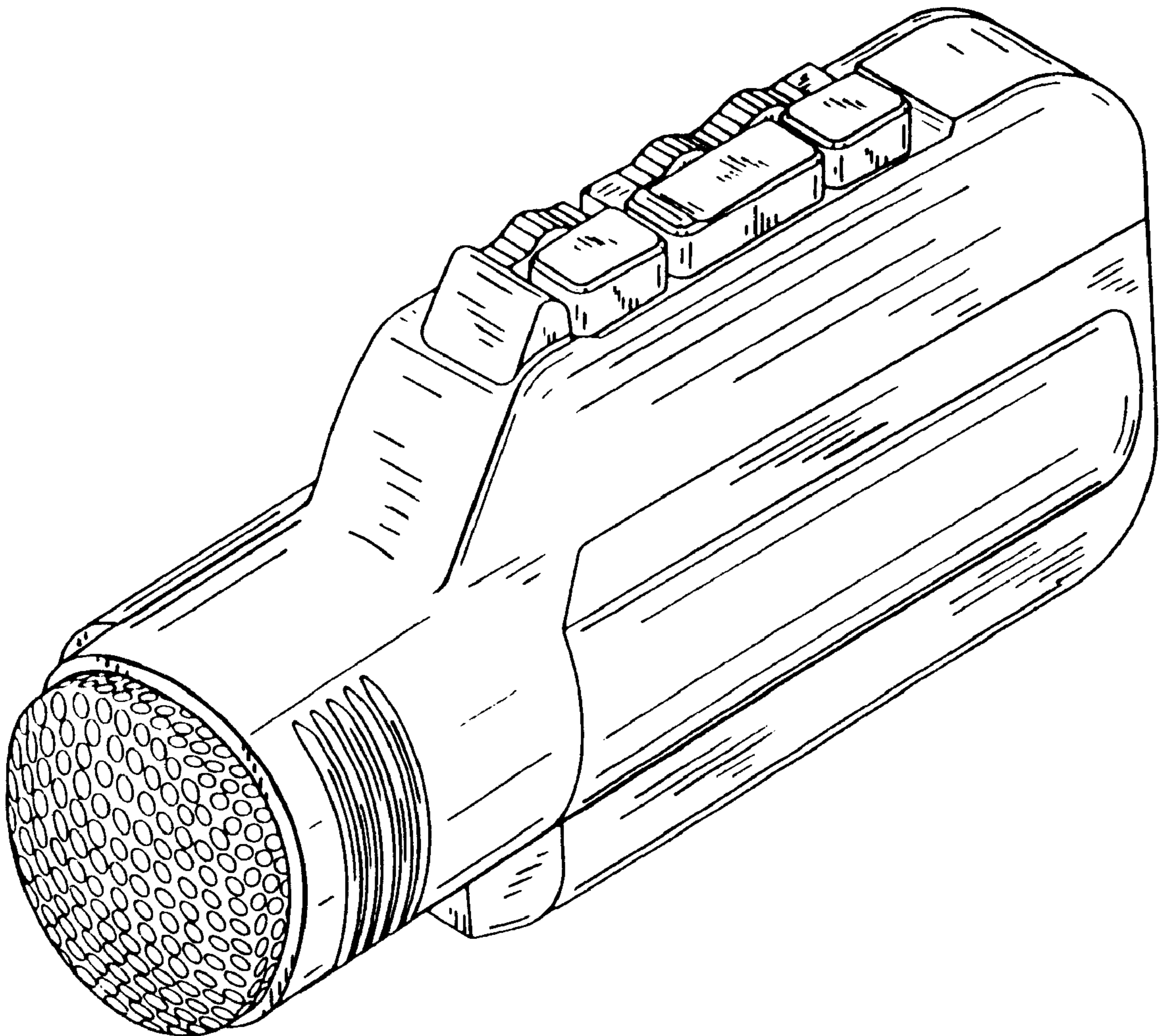


FIG. 9

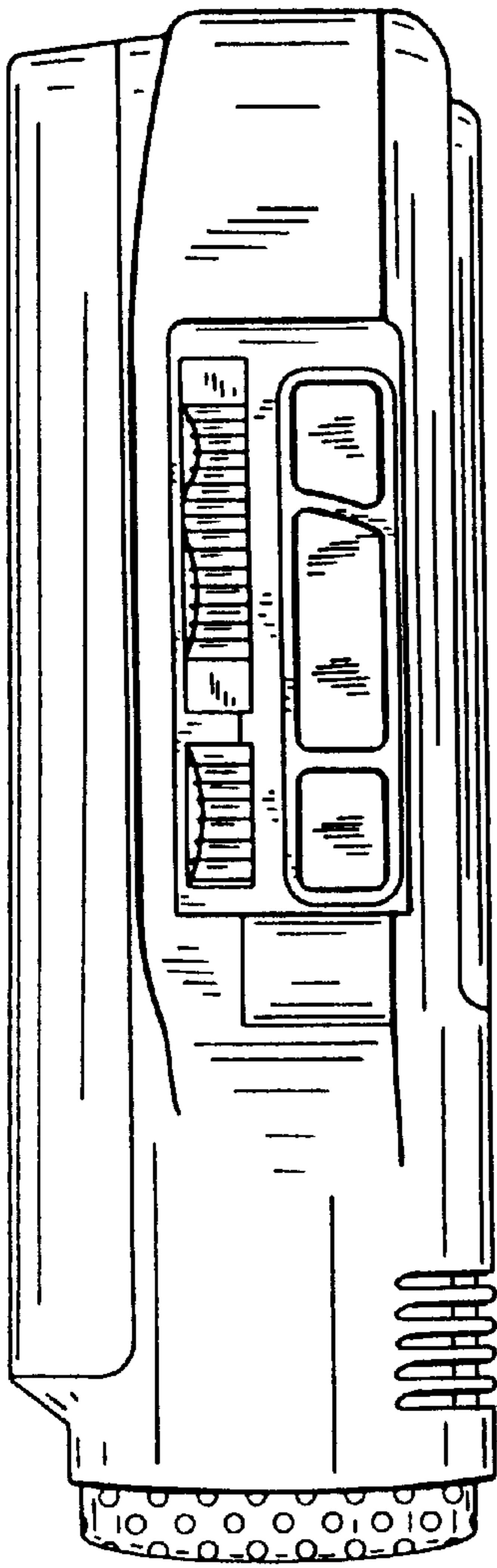


FIG. 13

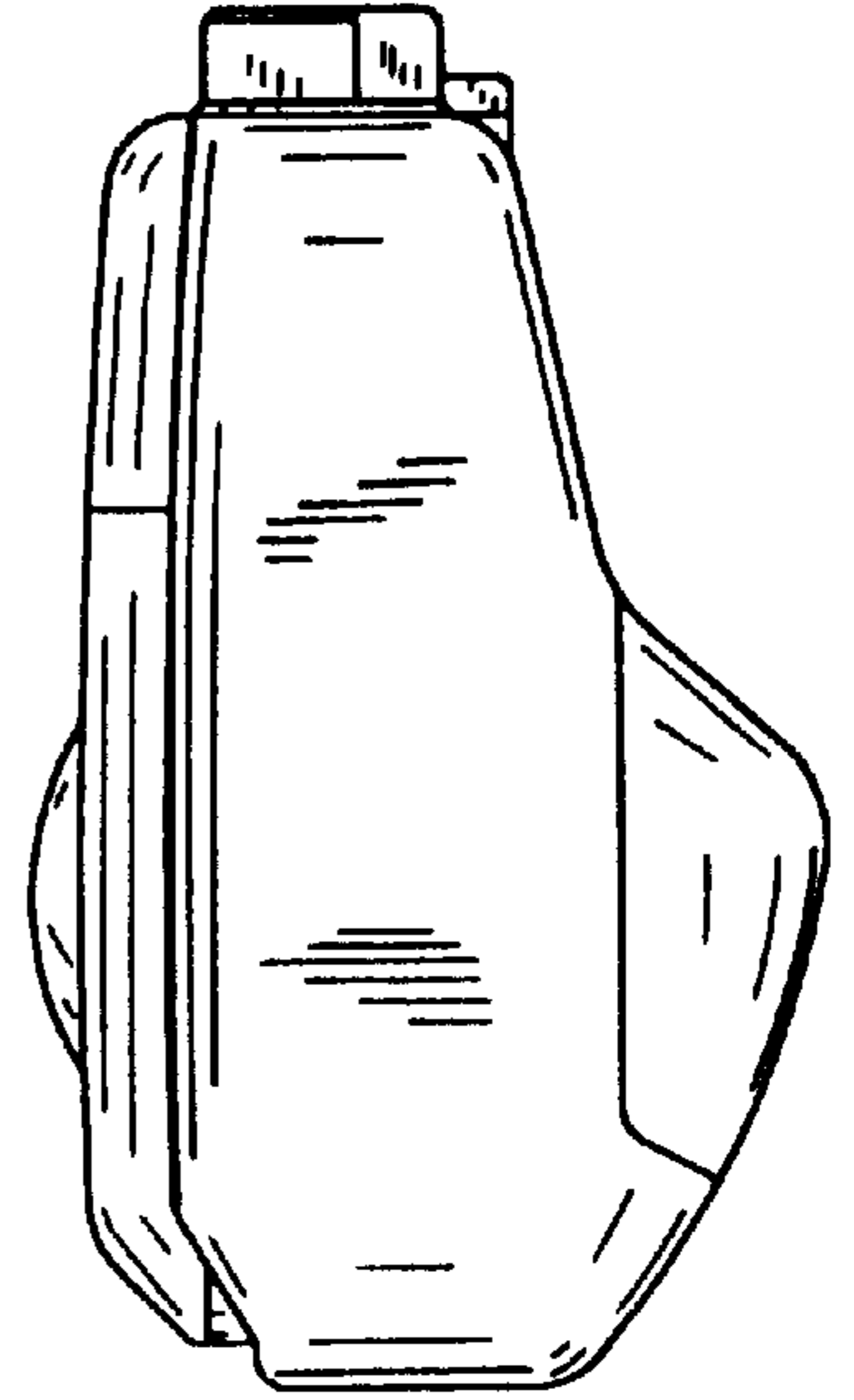


FIG. 11

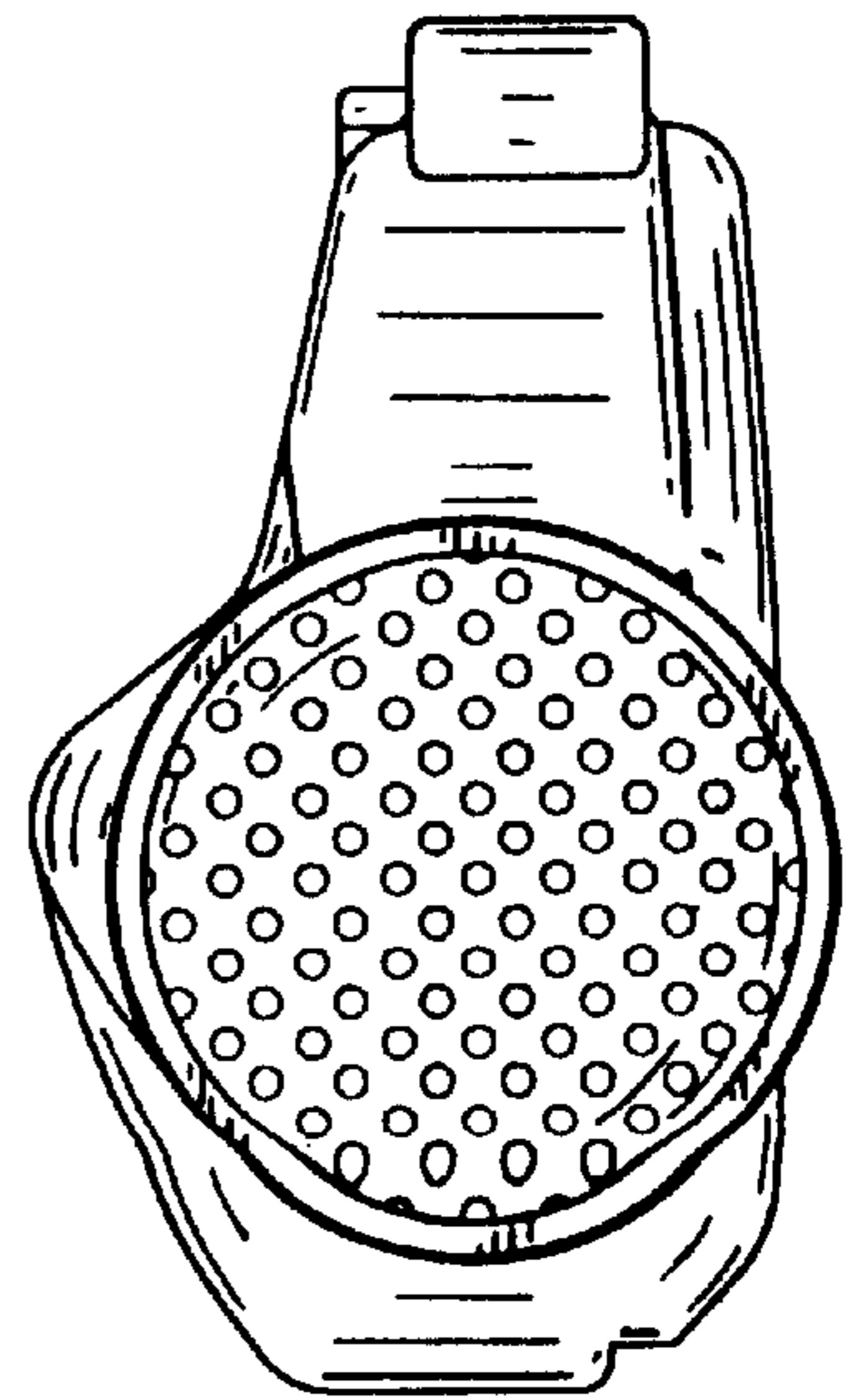


FIG.10

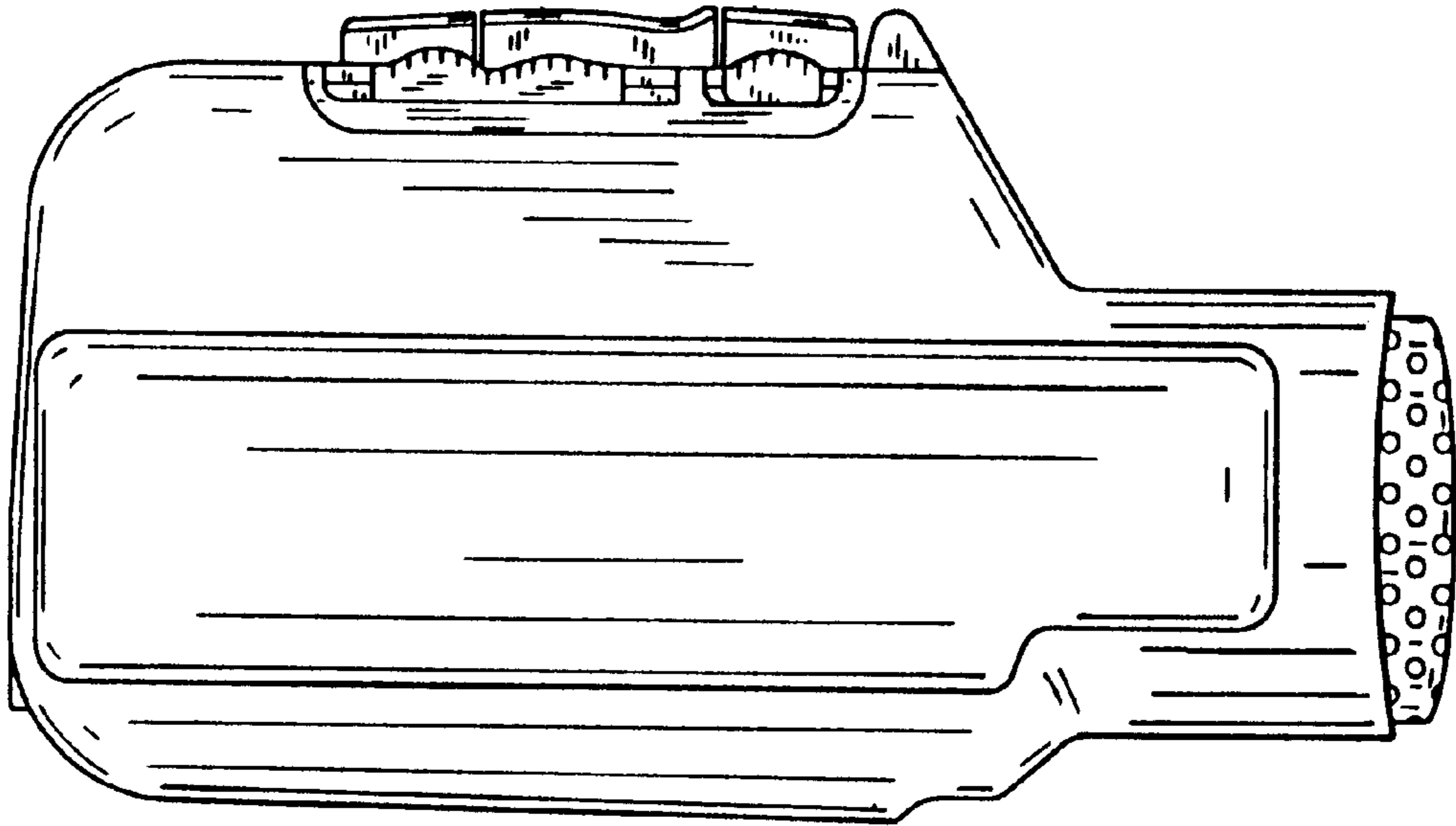


FIG.12

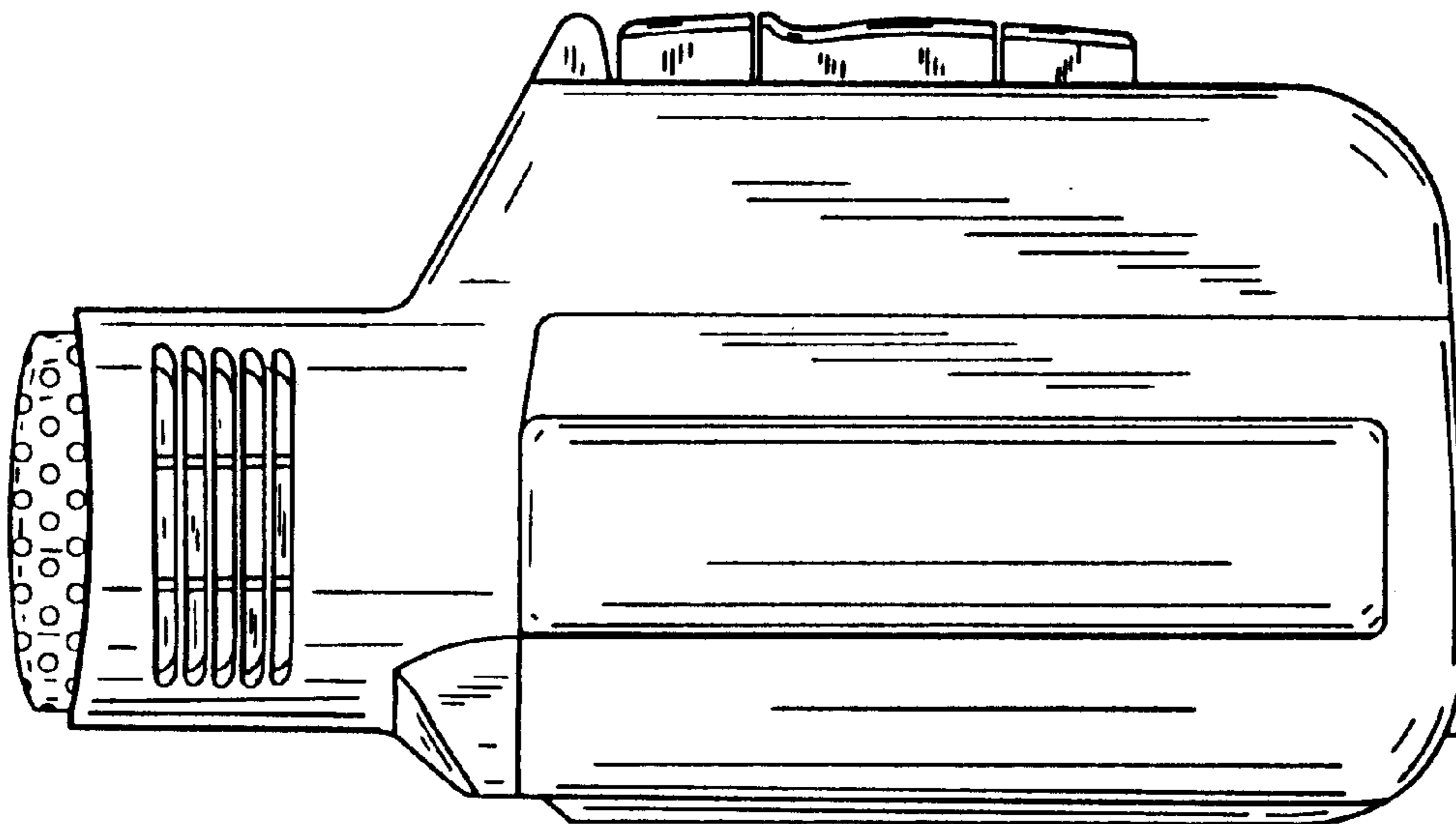


FIG. 14

