



US00D417866S

United States Patent [19] Mitsui

[11] **Patent Number: Des. 417,866**

[45] **Date of Patent: ** Dec. 21, 1999**

[54] **FACSIMILE MACHINE**

4,872,061 10/1989 Uchiyama 358/400
5,337,165 8/1994 Riouset et al. 358/401 X

[75] Inventor: **Sei Mitsui**, Fujiidera, Japan

OTHER PUBLICATIONS

[73] Assignee: **Minolta Co., Ltd.**, Osaka, Japan

PagePro 15; Minolta; May 1997.
Panasonic Catalog, Panafax Facsimile Line Front Page, Jun. 1994.

[**] Term: **14 Years**

[21] Appl. No.: **29/093,596**

Primary Examiner—Prabhakar Deshmukh
Attorney, Agent, or Firm—Burns, Doane, Swecker & Mathis, LLP

[22] Filed: **Sep. 14, 1998**

[30] Foreign Application Priority Data

Mar. 12, 1998 [JP] Japan 10-7198

[57] CLAIM

[51] **LOC (6) Cl.** **16-03**

The ornamental design for a facsimile machine, as shown and described.

[52] **U.S. Cl.** **D14/118**

DESCRIPTION

[58] **Field of Search** D14/118, 124,
D14/299; 358/400, 401; D18/36, 37, 50

FIG. 1 is a front perspective view of a facsimile machine illustrating my new design:

FIG. 2 is a top plan view there of;

FIG. 3 is a front elevational view there of;

FIG. 4 is a rear view there of;

FIG. 5 is a bottom plan view there of;

FIG. 6 is a left side elevational view there of; and,

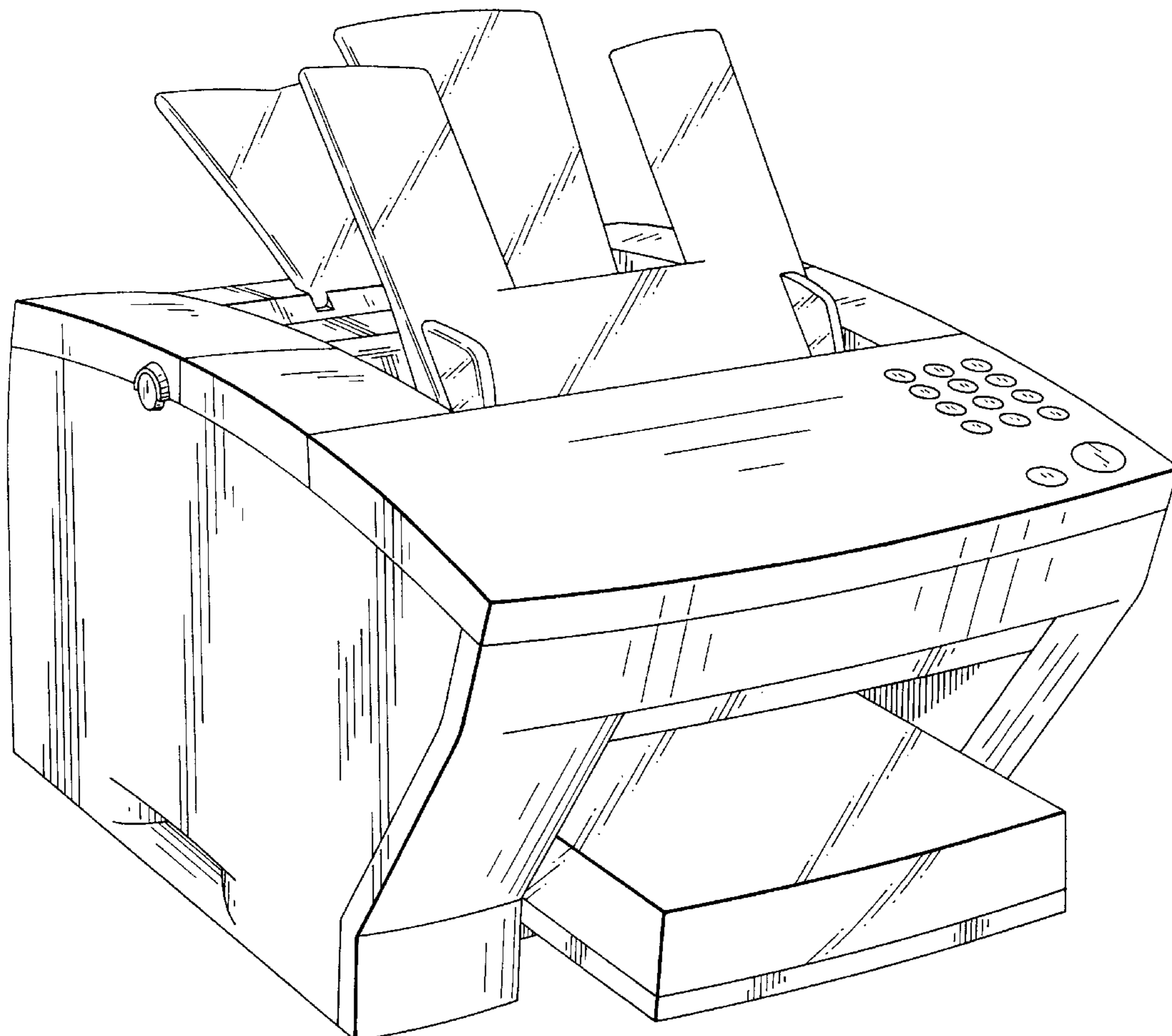
FIG. 7 is a right side elevational view there of.

[56] References Cited

U.S. PATENT DOCUMENTS

D. 344,503	2/1994	Nakajima et al.	D14/118
D. 344,939	3/1994	Kashiwabara et al.	D14/118
D. 368,259	3/1996	Bishop et al.	D14/118
D. 374,030	9/1996	Horiki et al.	D14/118
D. 387,344	12/1997	Isomoto	D14/118

1 Claim, 7 Drawing Sheets



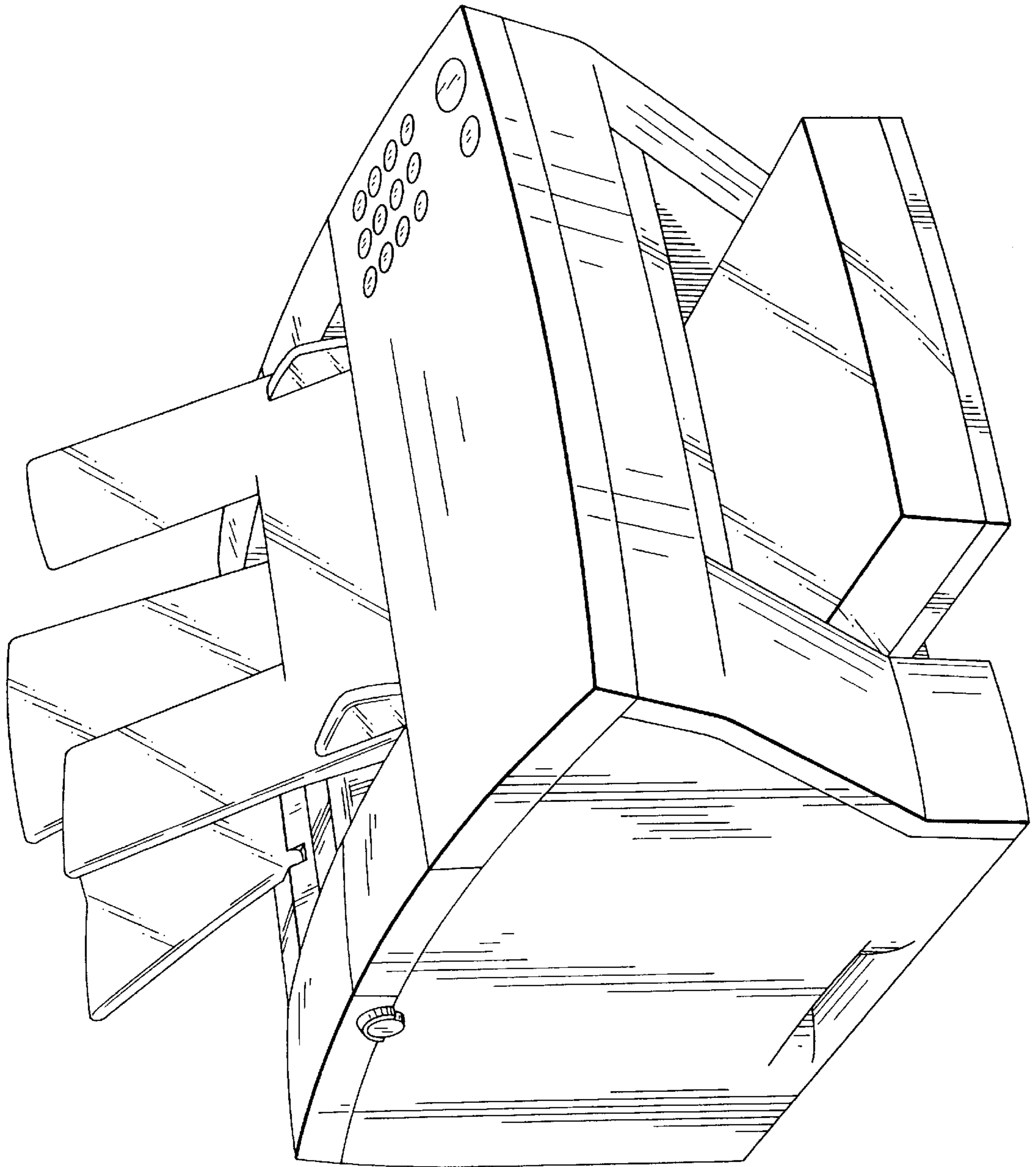


Fig. 1

Fig. 2

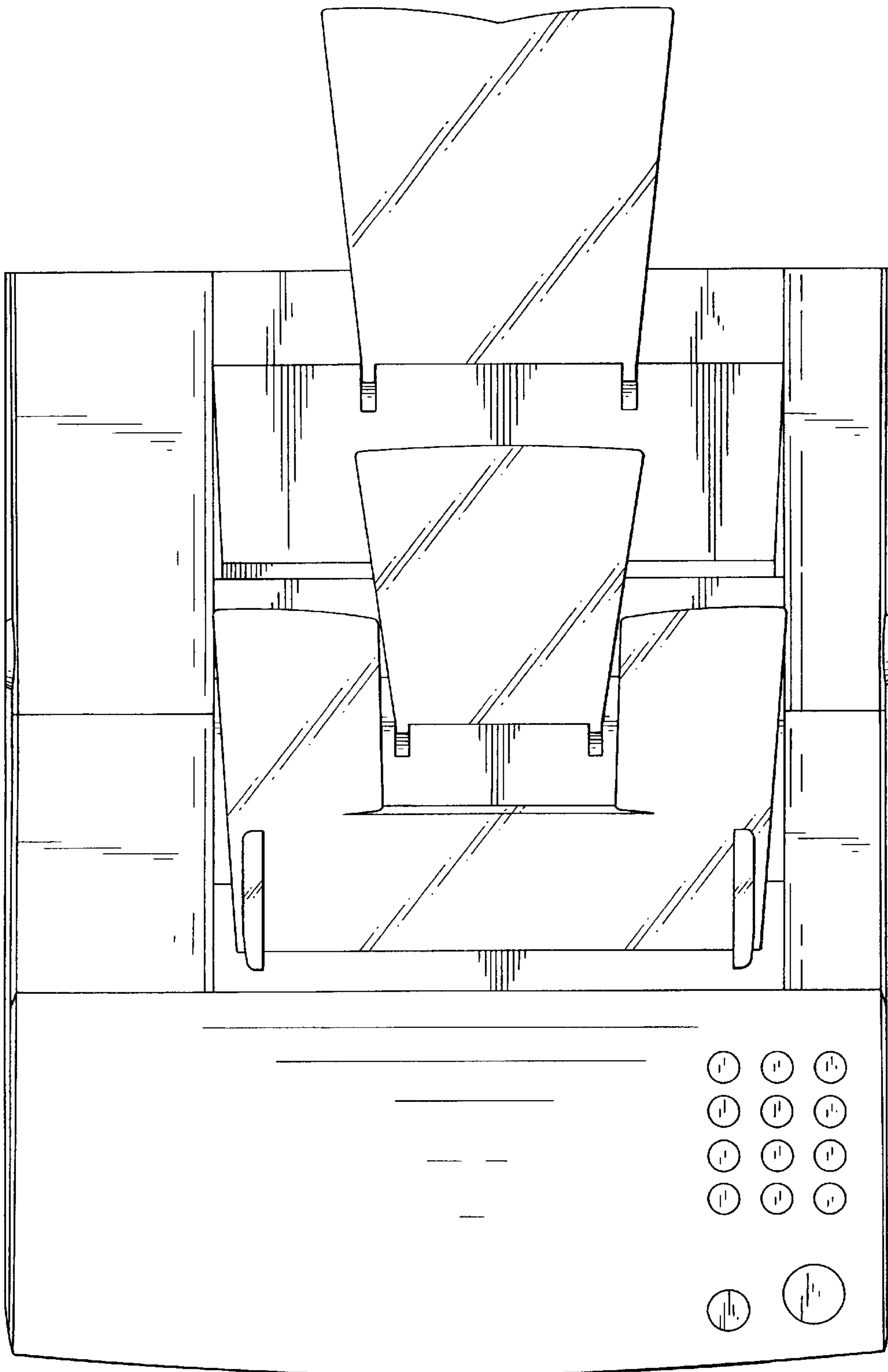


Fig. 3

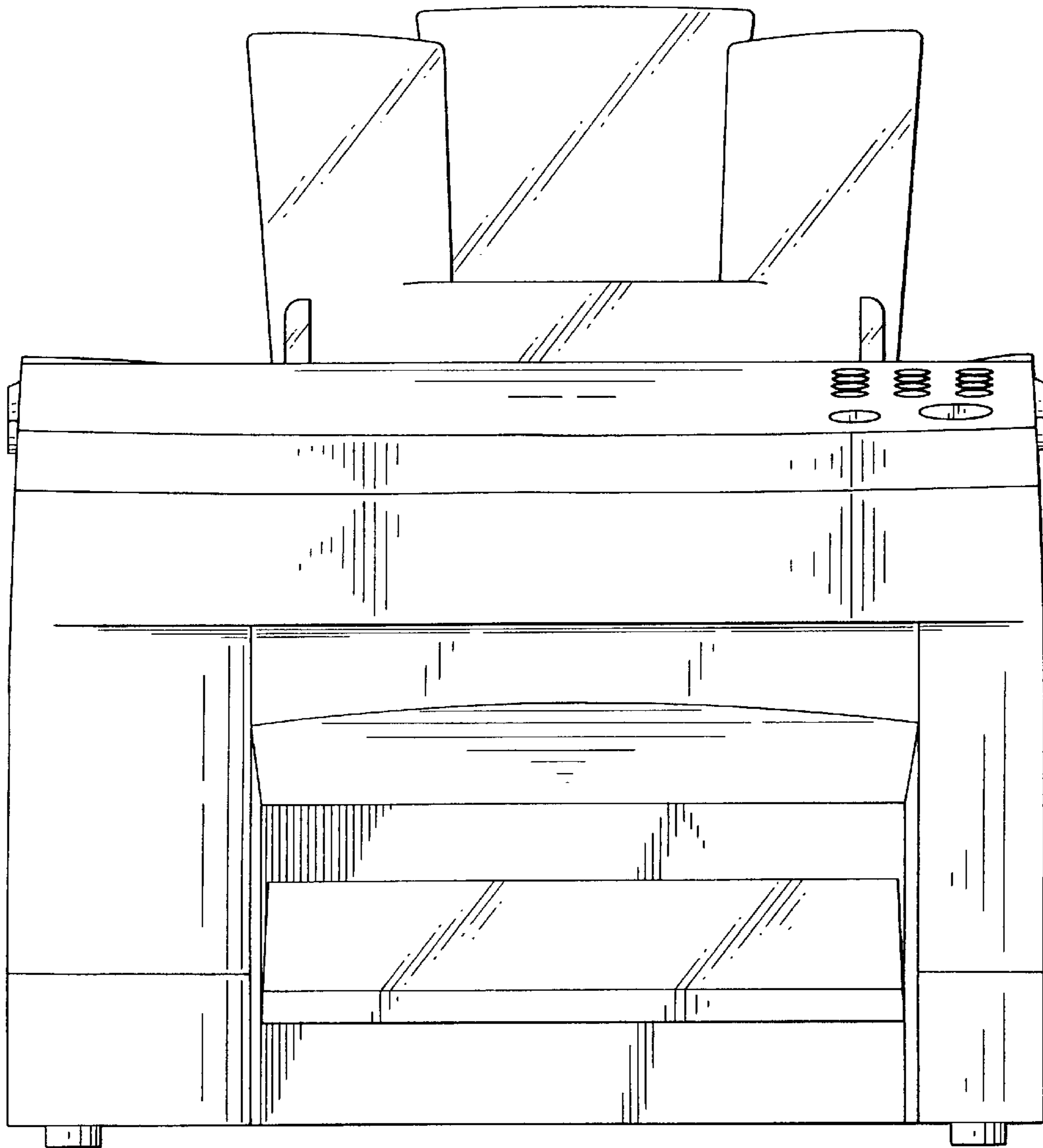


Fig. 4

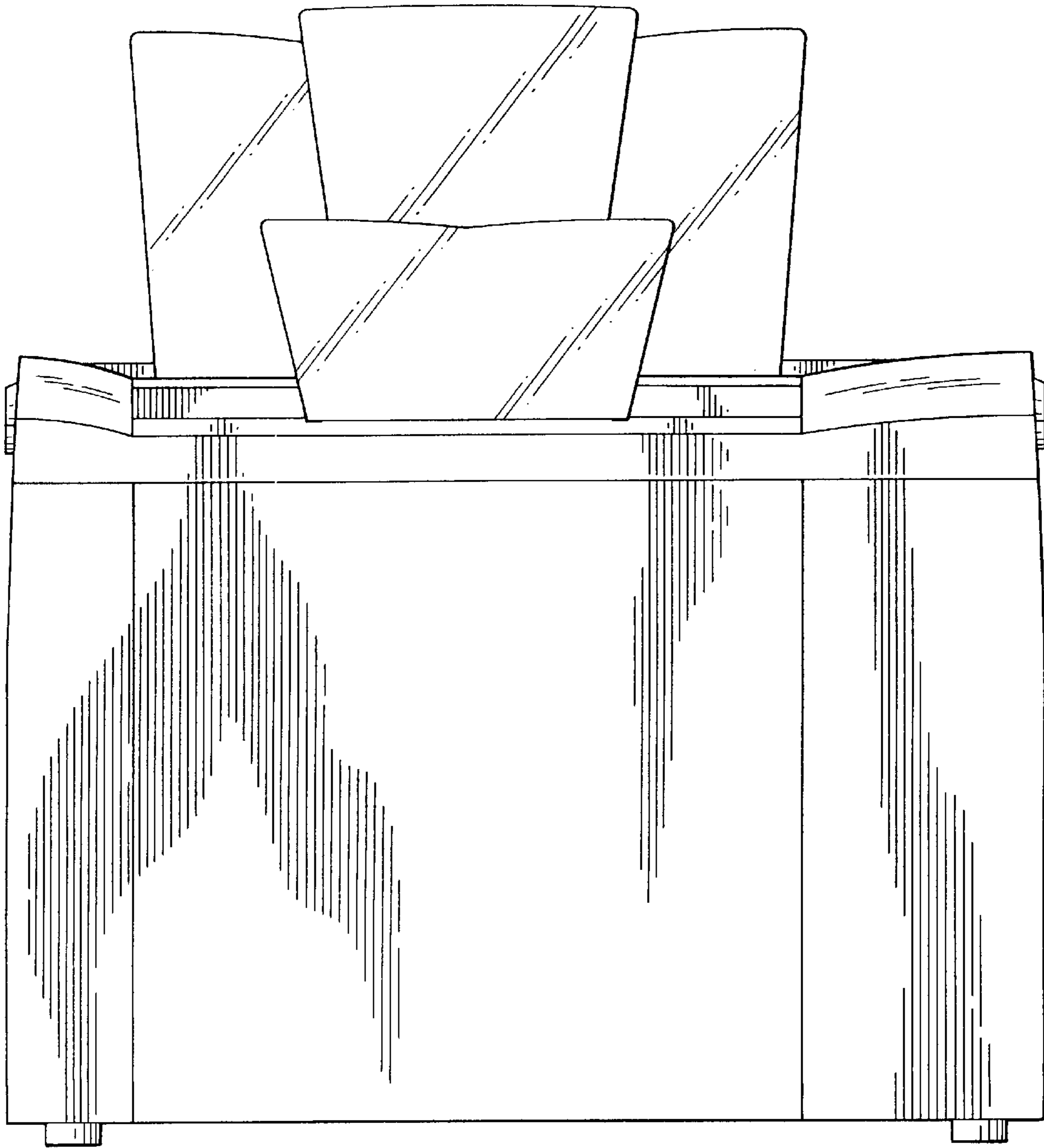
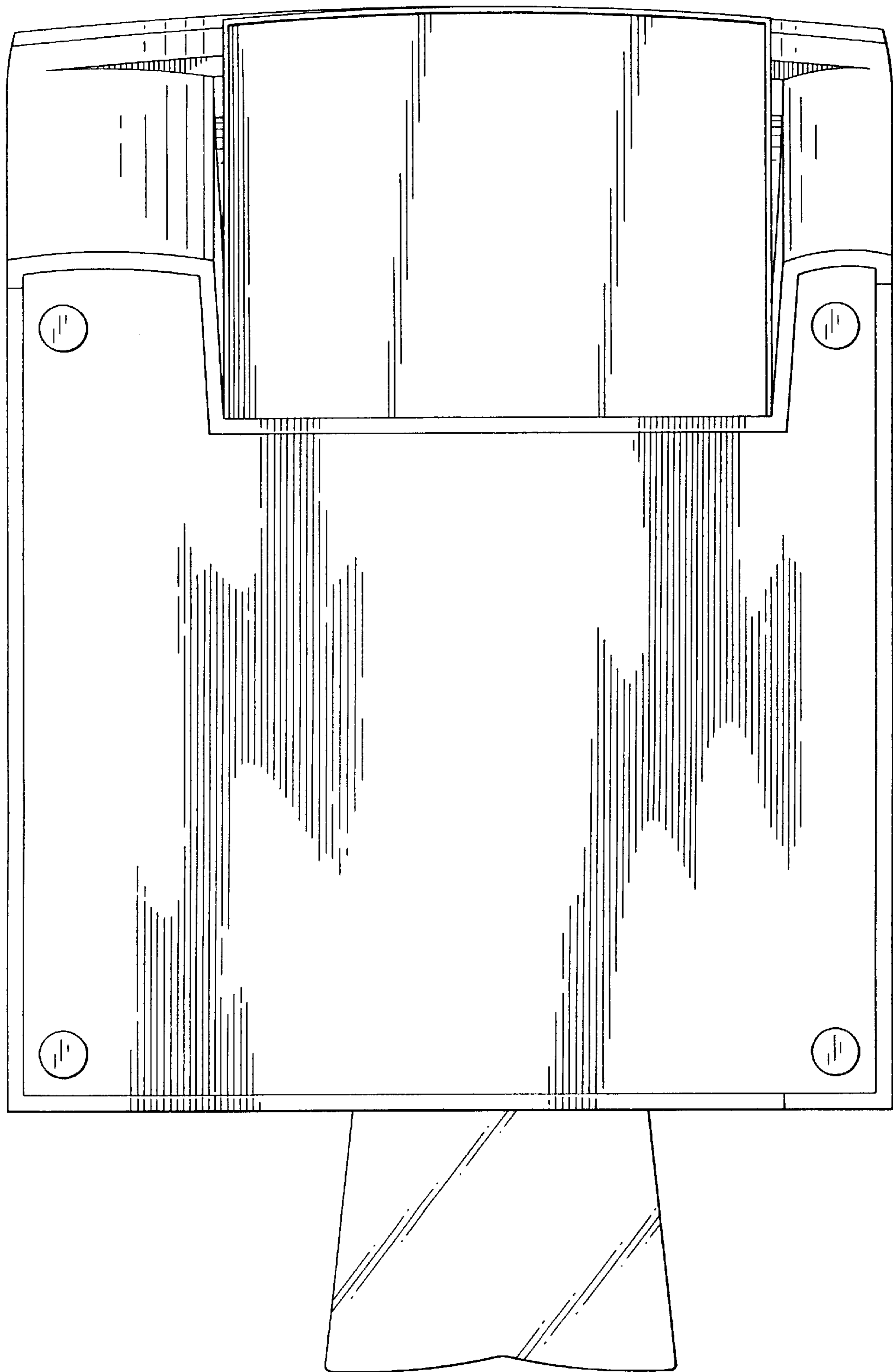


Fig. 5



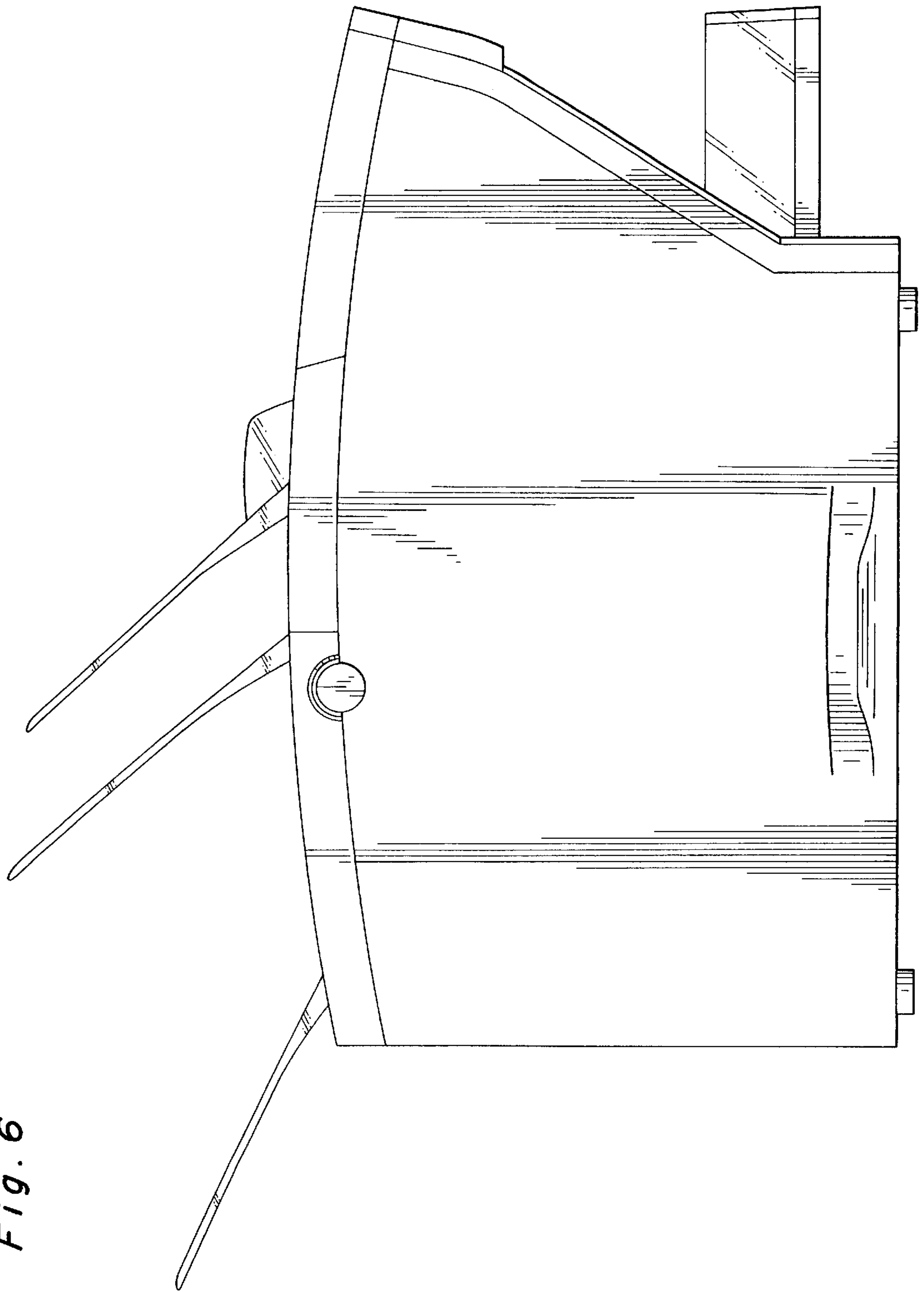


Fig. 6

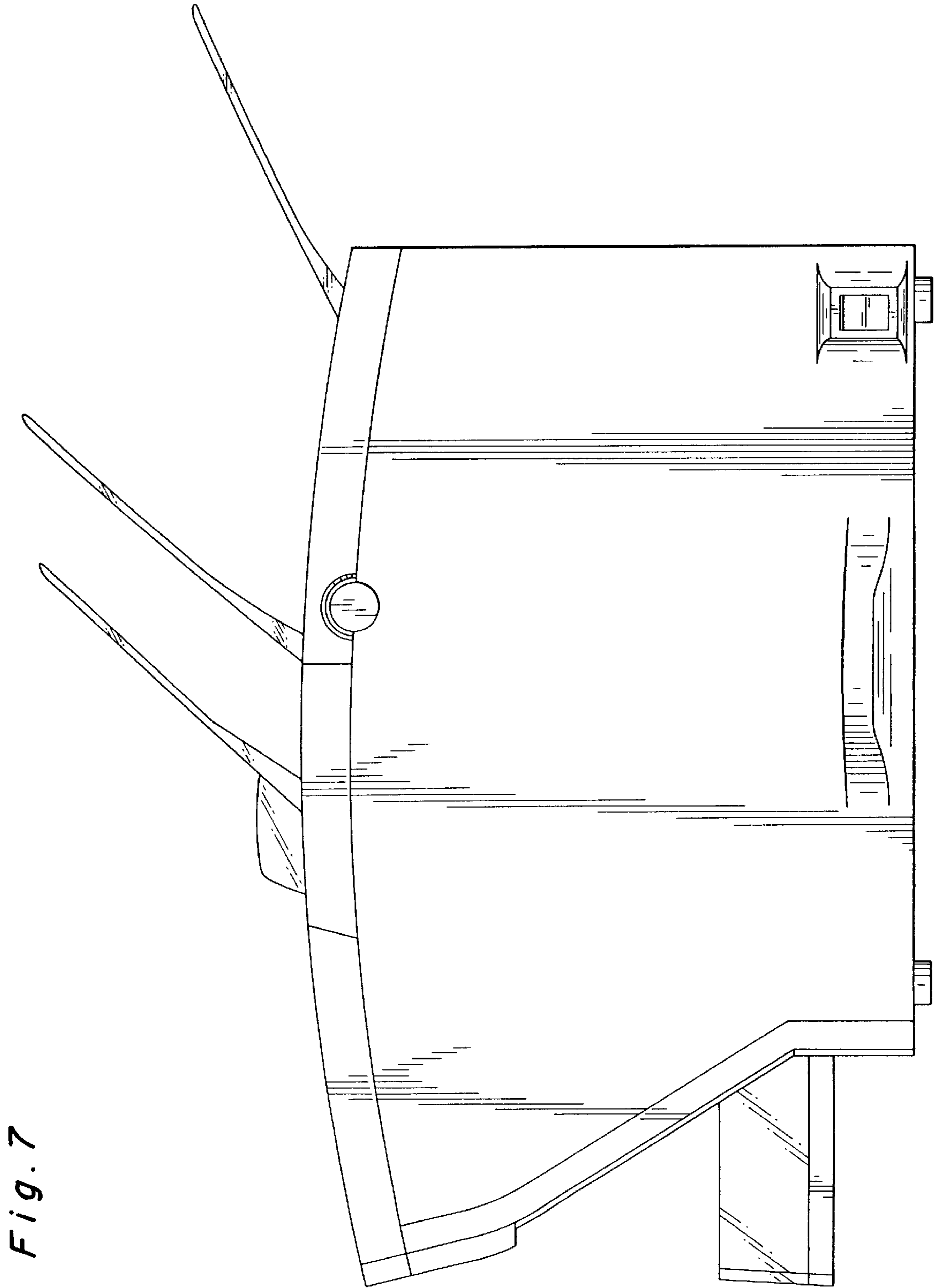


Fig. 7