



US00D417865S

United States Patent [19]

Wilson, Sr. et al.

[11] **Patent Number: Des. 417,865**

[45] **Date of Patent: ** Dec. 21, 1999**

[54] **FRONT PANEL FOR COMPUTER DATA STORAGE DEVICE ENCLOSURE**

D. 371,776 7/1996 Yang D14/115
D. 374,439 10/1996 Paterson et al. D14/115
D. 375,728 11/1996 Nicklos et al. D14/114

[75] Inventors: **Robert M. Wilson, Sr.**, Lakeside;
Jonathan Guerra, San Francisco;
Maaiké Evers, San Francisco; **Nicholas Brawne**, San Francisco, all of Calif.

Primary Examiner—Freda Nunn
Attorney, Agent, or Firm—Woodcock Washburn Kurtz Mackiewicz & Norris LLP

[73] Assignee: **IOMEGA Corporation**, Roy, Utah

[57] CLAIM

[**] Term: **14 Years**

The ornamental design for a front panel for computer data storage device enclosure, as shown and described.

[21] Appl. No.: **29/087,525**

DESCRIPTION

[22] Filed: **May 4, 1998**

Related U.S. Application Data

[63] Continuation of application No. 29/072,346, Jun. 13, 1997, abandoned.

[51] **LOC (6) Cl.** **14-02**

[52] **U.S. Cl.** **D14/115**

[58] **Field of Search** D14/100, 102,
D14/107-109, 217, 257, 258, 137, 156;
D13/162, 164, 177, 184, 199; D10/103;
312/223.2; 428/99; 361/600, 622

FIG. 1 is a top perspective view of the front panel for computer data storage device enclosure;
FIG. 2 is a rear elevation view of the embodiment shown in FIG. 1;
FIG. 3 is a top plan view of the embodiment shown in FIG. 1;
FIG. 4 is a bottom plan view of the embodiment shown in FIG. 1;
FIG. 5 is a side elevation view of FIG. 1;
FIG. 6 is another side elevation of FIG. 1; and,
FIG. 7 is a front elevation of FIG. 1.

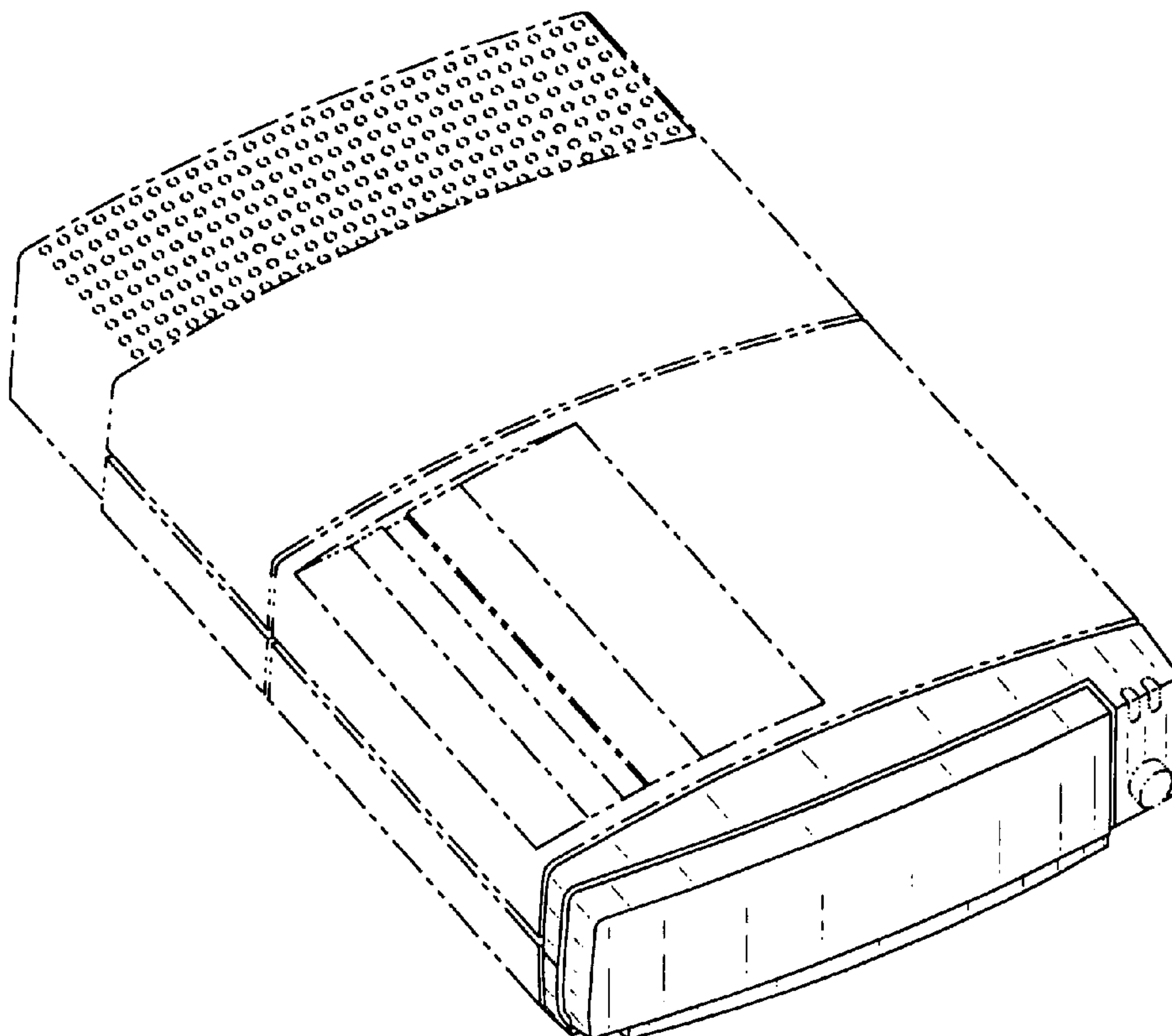
[56] References Cited

The broken lines are shown in the views for illustrative purposes only and form no part of the claimed design.

U.S. PATENT DOCUMENTS

D. 359,279 6/1995 Fujimura et al. D14/115

1 Claim, 7 Drawing Sheets



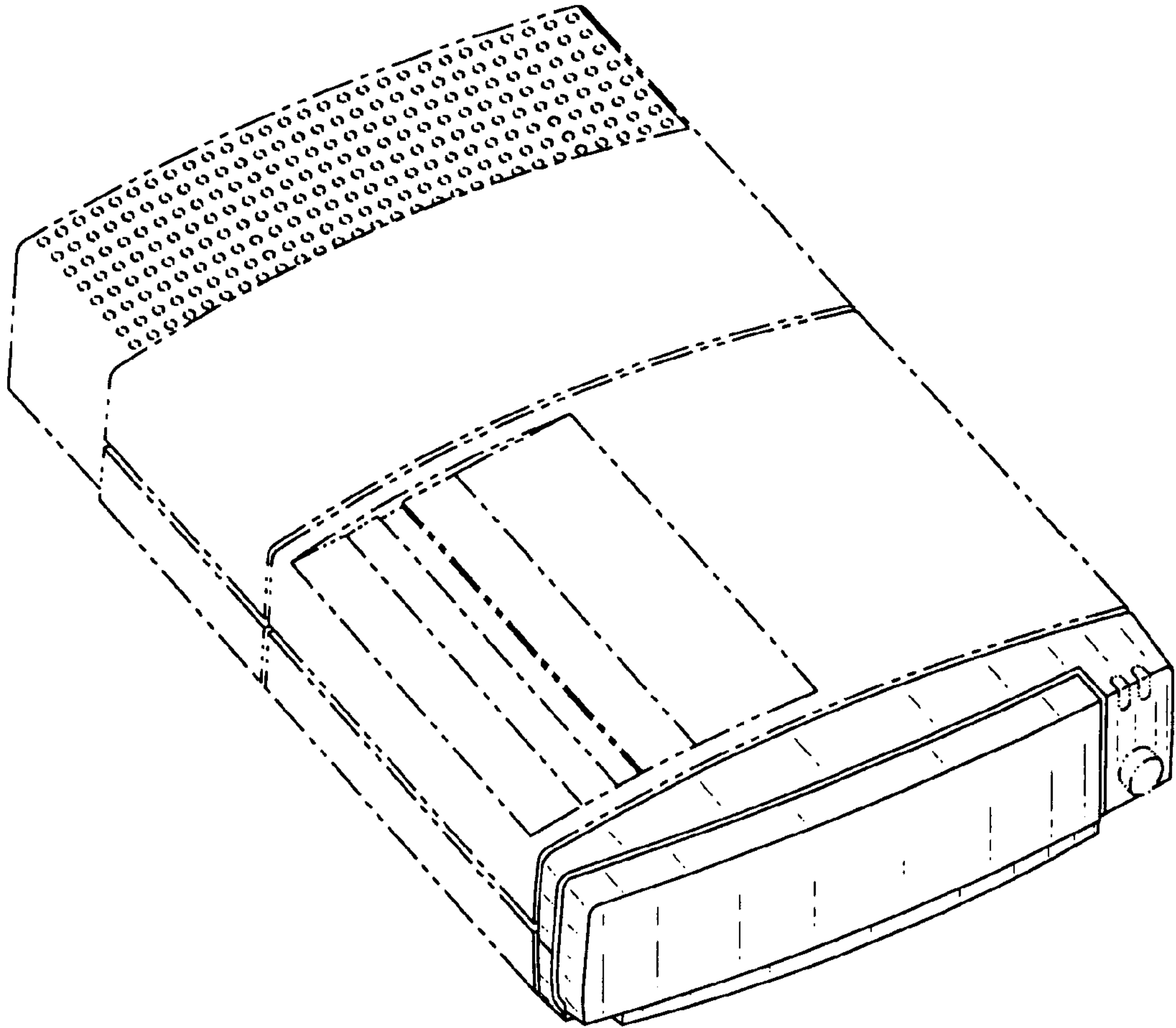


FIG. 1

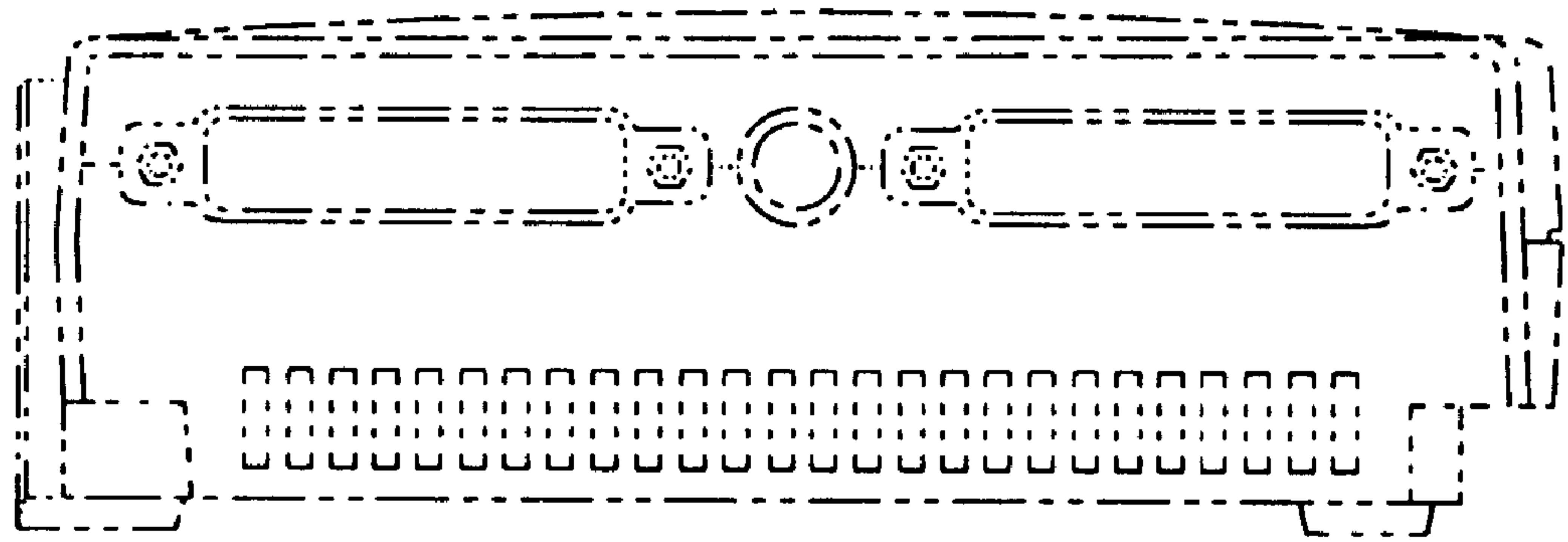


FIG. 2

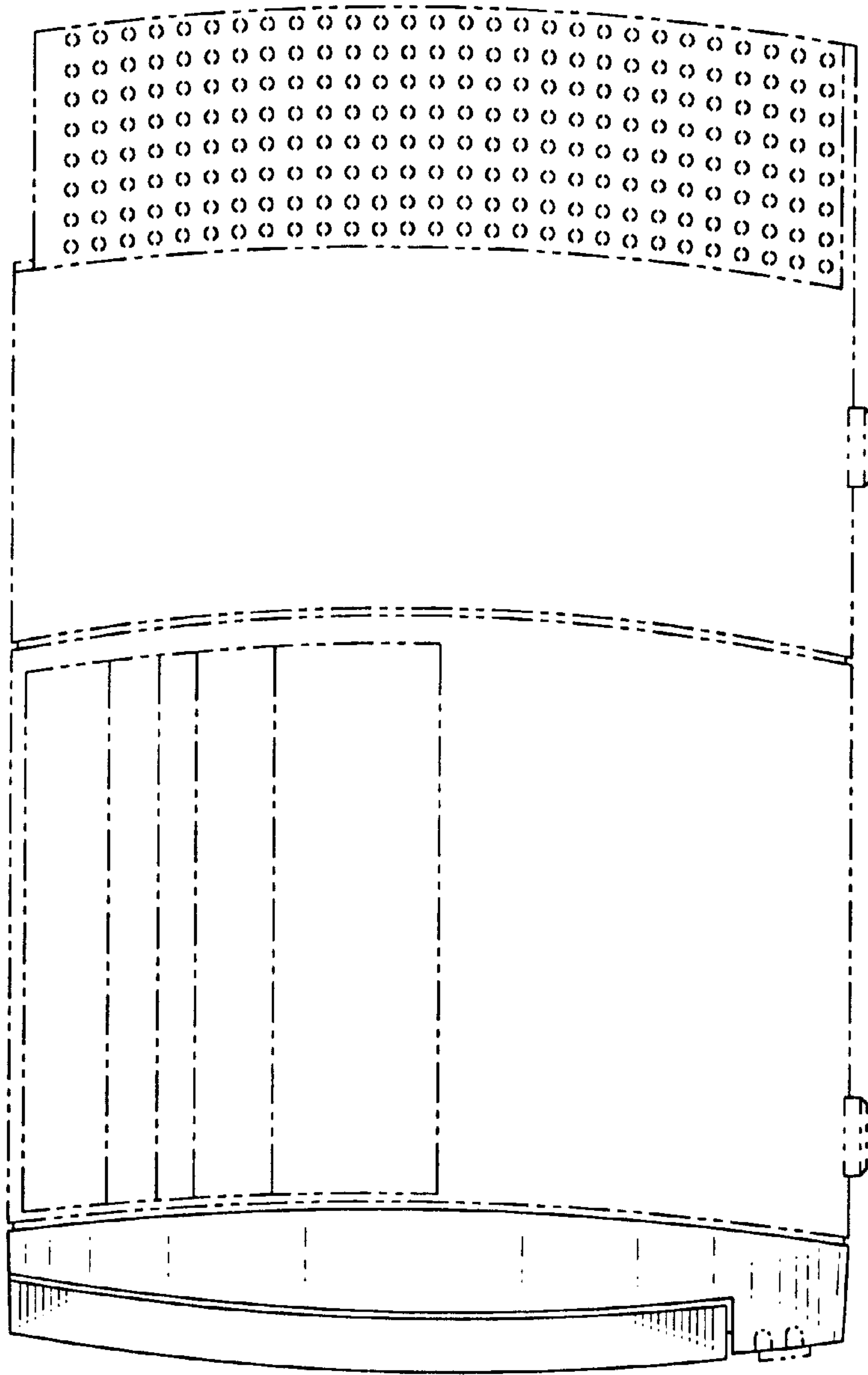


FIG. 3

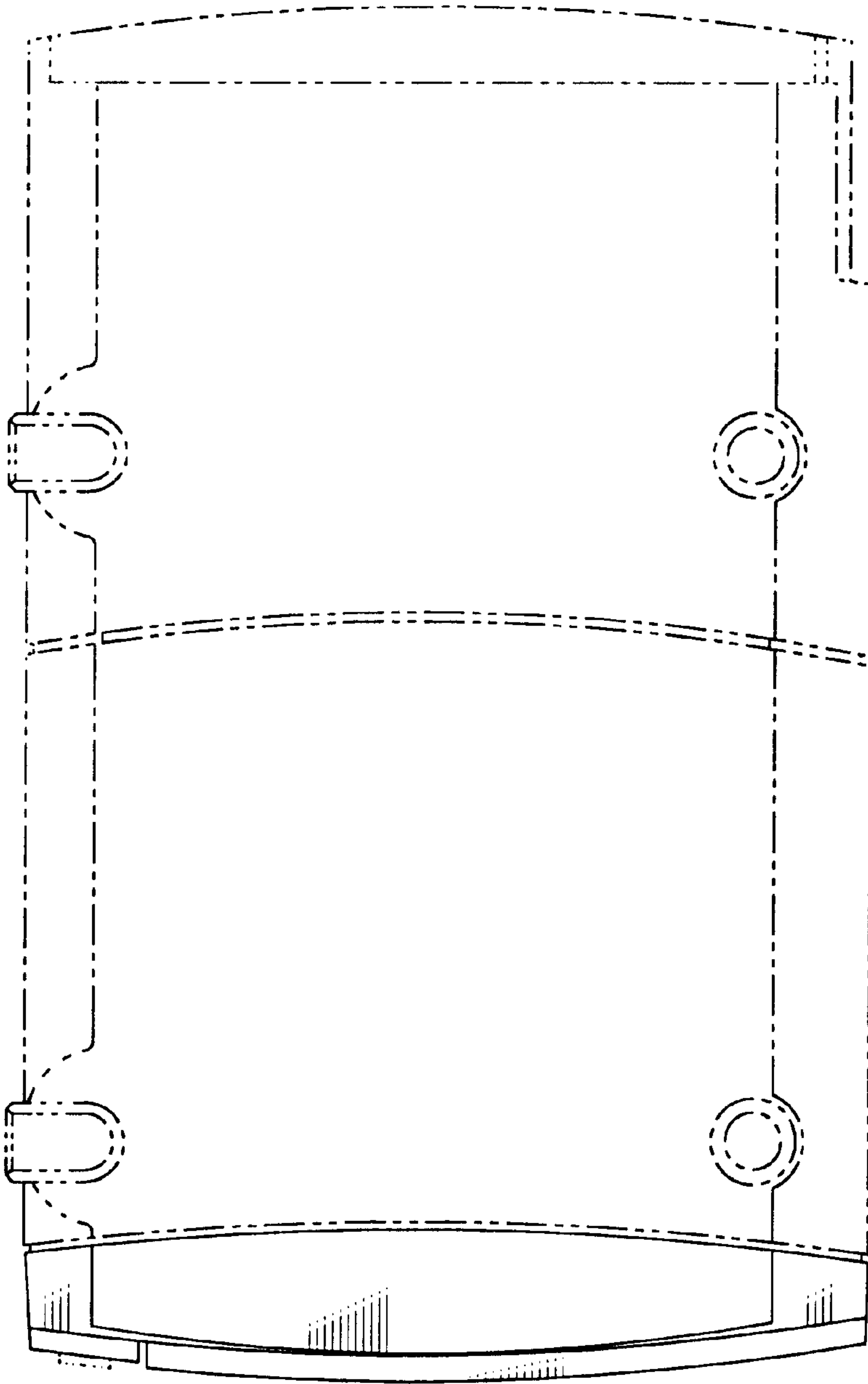


FIG. 4

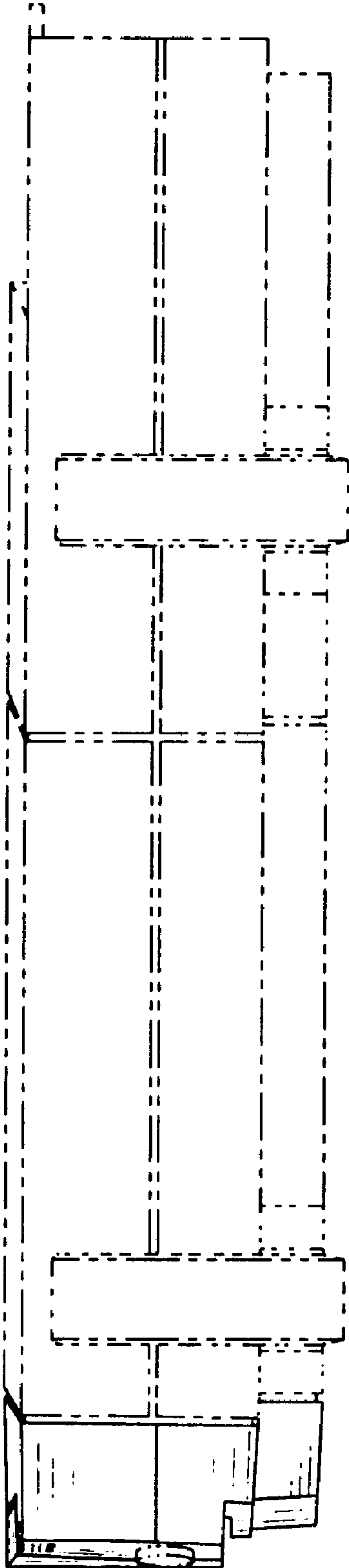


FIG. 5

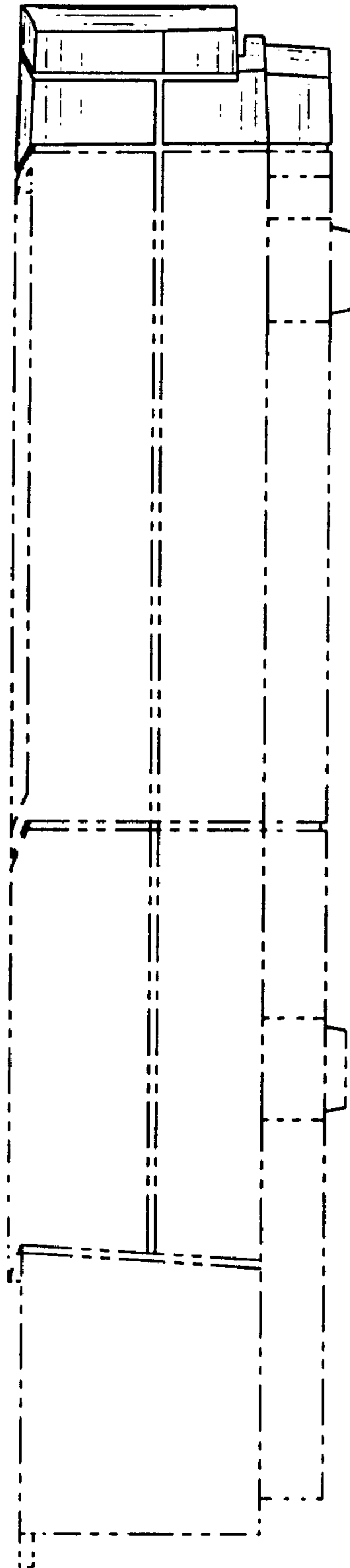


FIG. 6

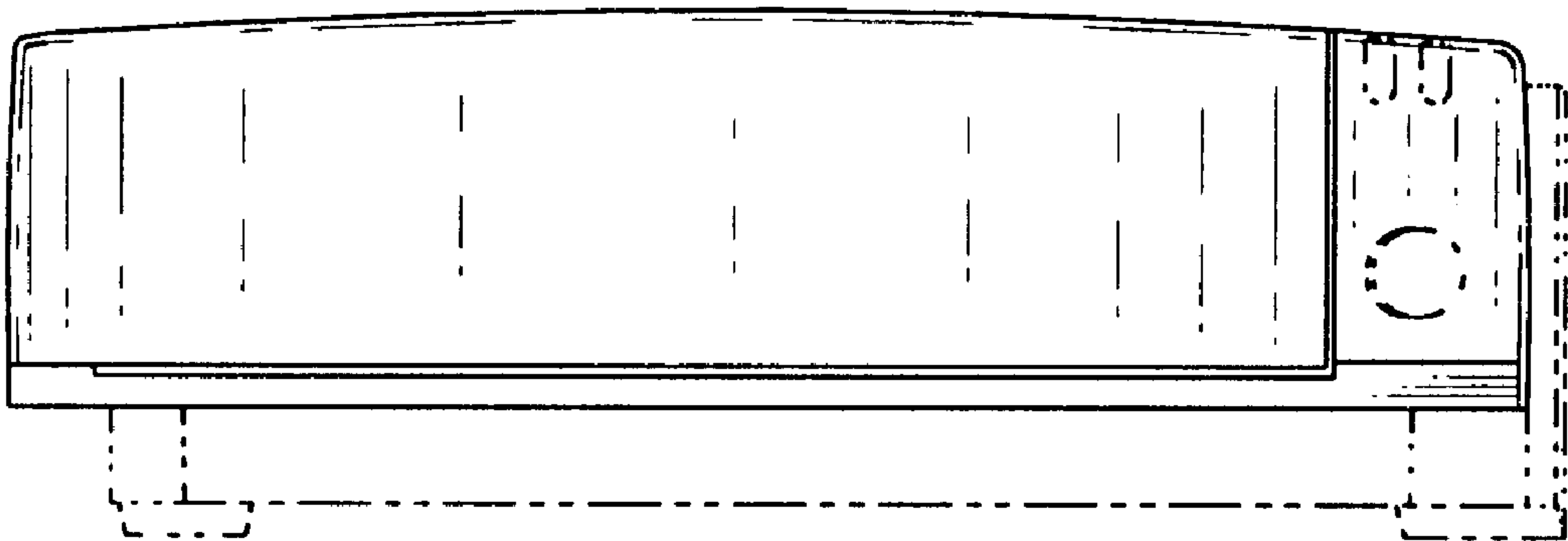


FIG. 7