



US00D417862S

United States Patent [19]

Wood et al.

[11] **Patent Number: Des. 417,862**

[45] **Date of Patent: ** Dec. 21, 1999**

[54] **ELECTRICAL CONNECTOR HOUSING**

[75] Inventors: **Donald E. Wood; Richard J. Middlehurst**, both of Fremont, Calif.

[73] Assignee: **Elcon Products International**, Fremont, Calif.

[**] Term: **14 Years**

[21] Appl. No.: **29/099,030**

[22] Filed: **Jan. 12, 1999**

Related U.S. Application Data

[62] Division of application No. 29/086,870, Apr. 12, 1998.

[51] **LOC (6) Cl.** **13-03**

[52] **U.S. Cl.** **D13/133**

[58] **Field of Search** D13/103; 439/63, 439/78, 669, 668, 842

[56] References Cited

U.S. PATENT DOCUMENTS

D. 389,123	1/1998	Vernon	D13/133	X
3,403,369	9/1968	Steiff et al.	439/79	
4,957,454	9/1990	Shichida	439/668	X

5,092,795	3/1992	Kitagawa	439/668	
5,338,215	8/1994	Lee et al.	439/668	X
5,709,554	1/1998	Savage, Jr.	439/56	
5,738,546	4/1998	Burroughs et al.	439/620	

Primary Examiner—Joel Sincavage
Attorney, Agent, or Firm—Flehr Hohbach Test Albritton & Herbert LLP

[57] CLAIM

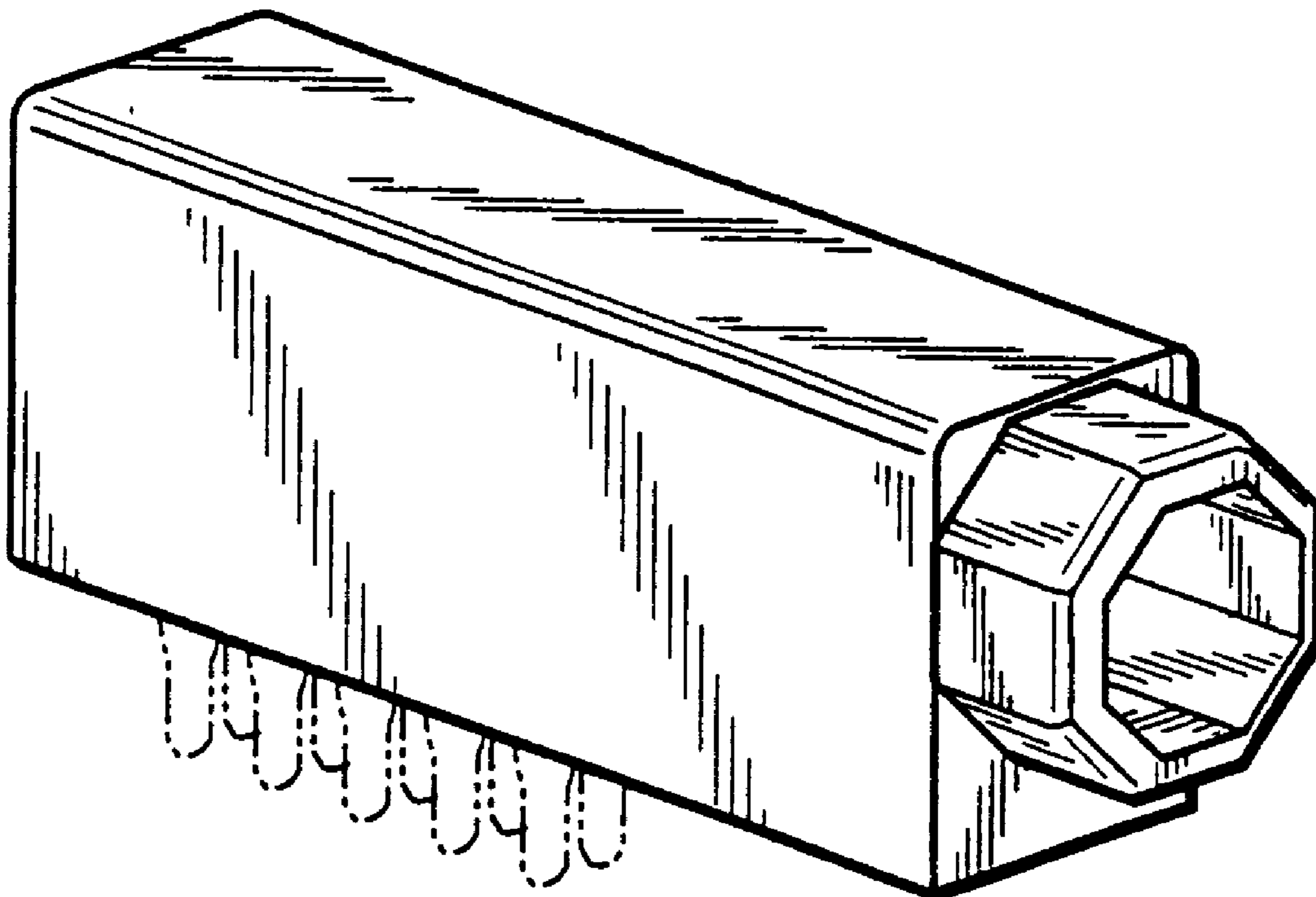
The ornamental design for an electrical connector housing, as shown and described.

DESCRIPTION

FIG. 1 is a perspective view as seen from the front and upper left of an electrical connector housing showing our new design; FIG. 2 is a front elevational view thereof; FIG. 3 is a right side elevational view thereof; FIG. 4 is a rear elevational view thereof; FIG. 5 is a left side elevational view thereof; FIG. 6 is a top view thereof; and, FIG. 7 is a bottom plan view thereof.

The broken line showing throughout the drawing figures is included for the purpose of illustrating environmental structure only and forms no part of the claimed design.

1 Claim, 1 Drawing Sheet



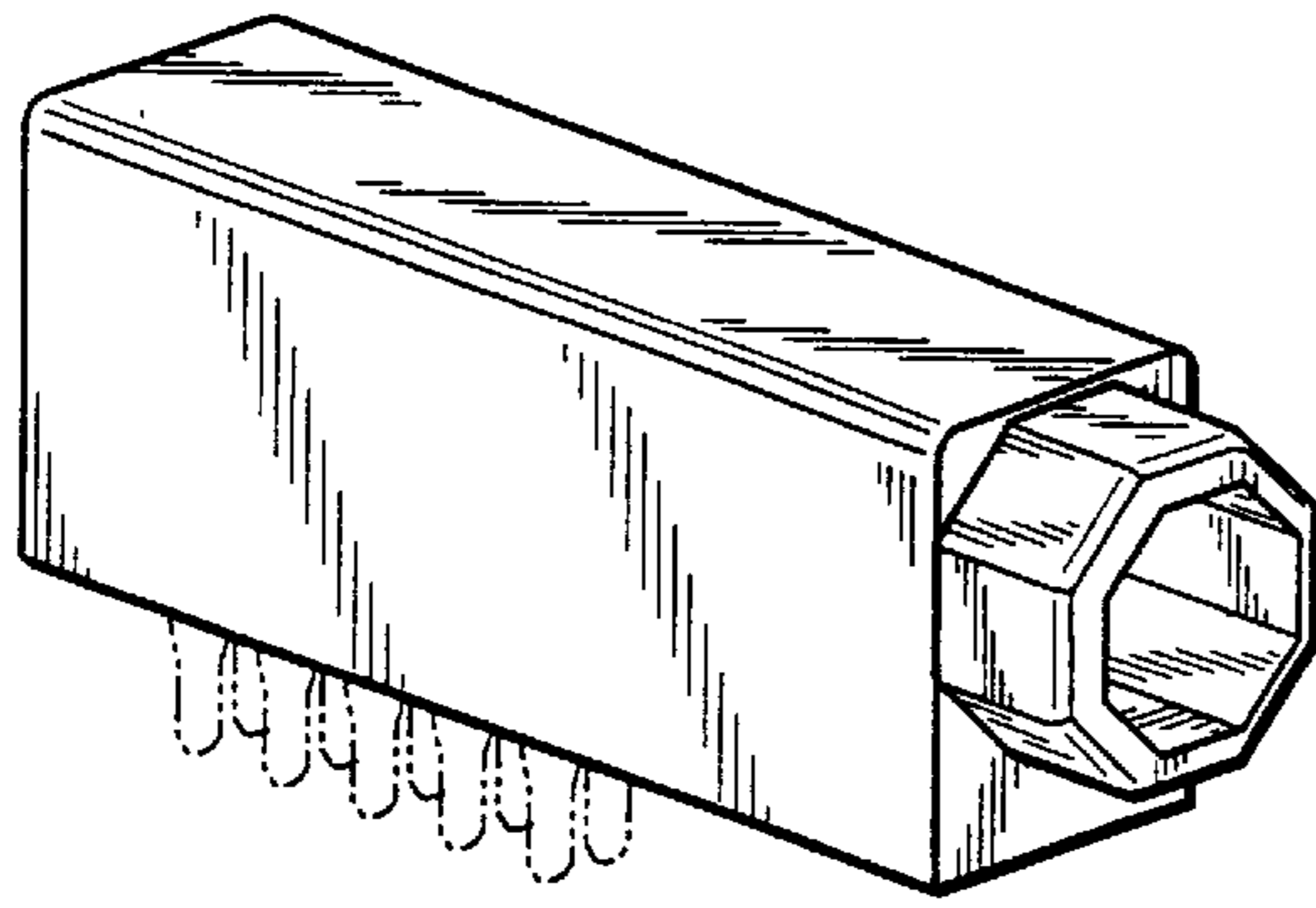


FIG._1

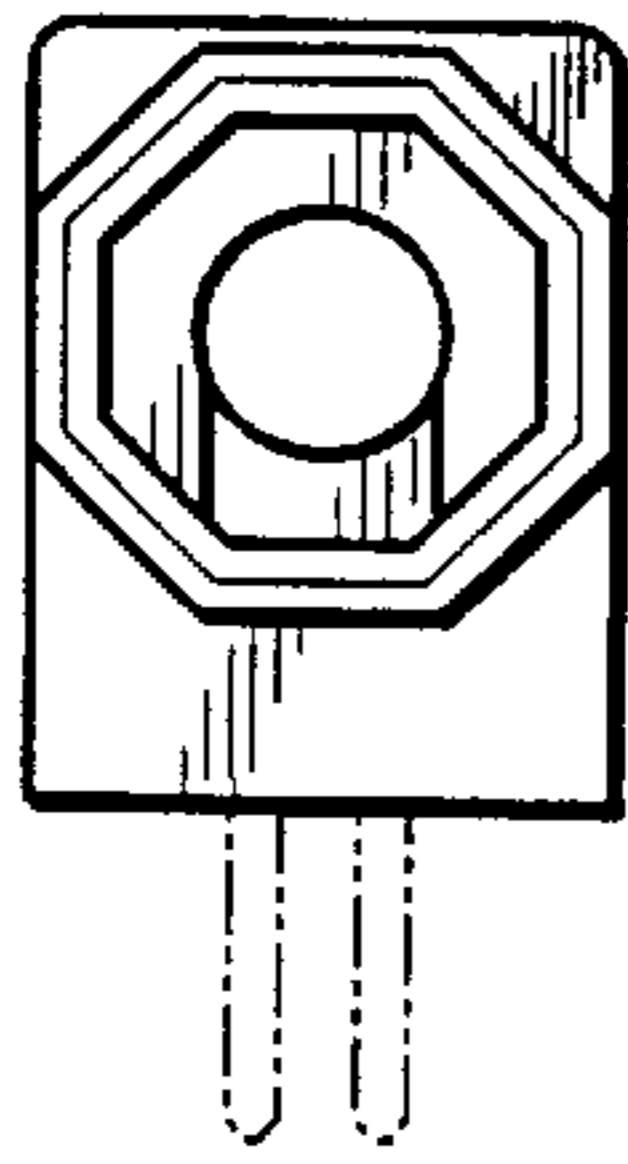


FIG._2

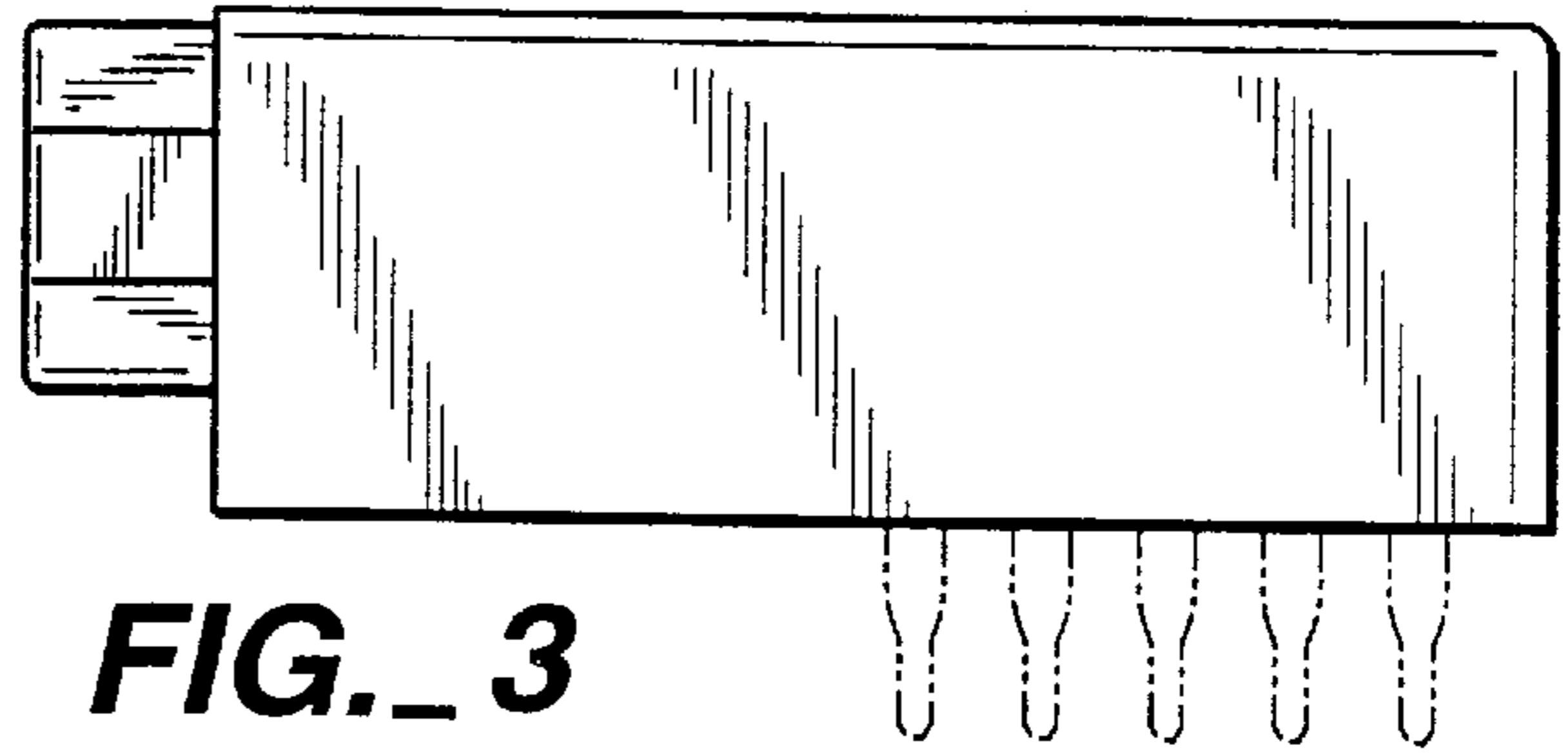


FIG._3

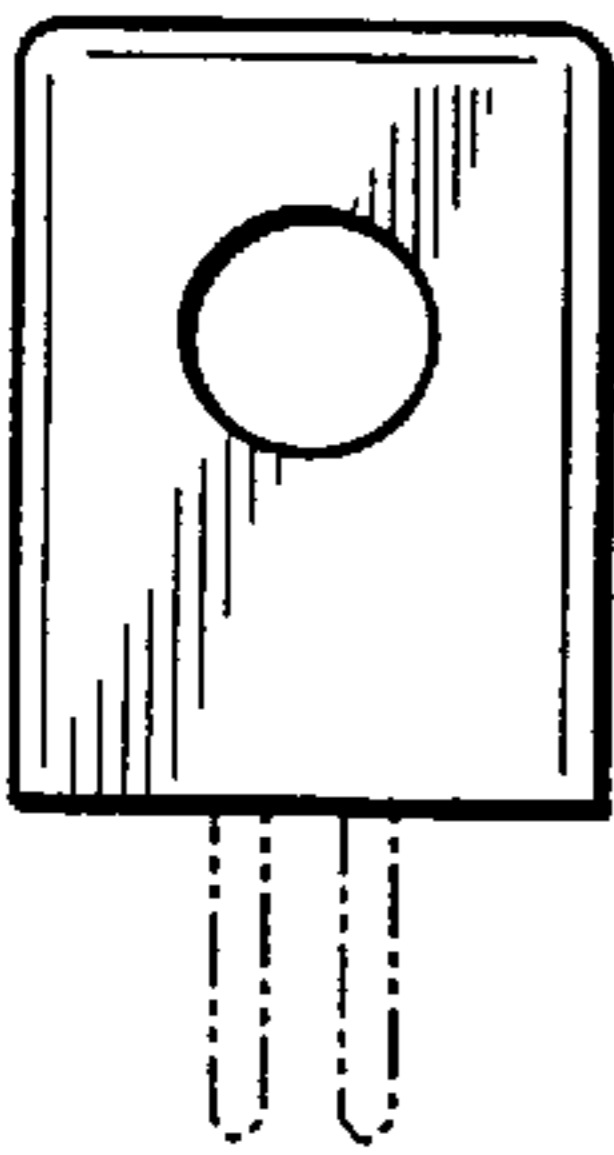


FIG._4

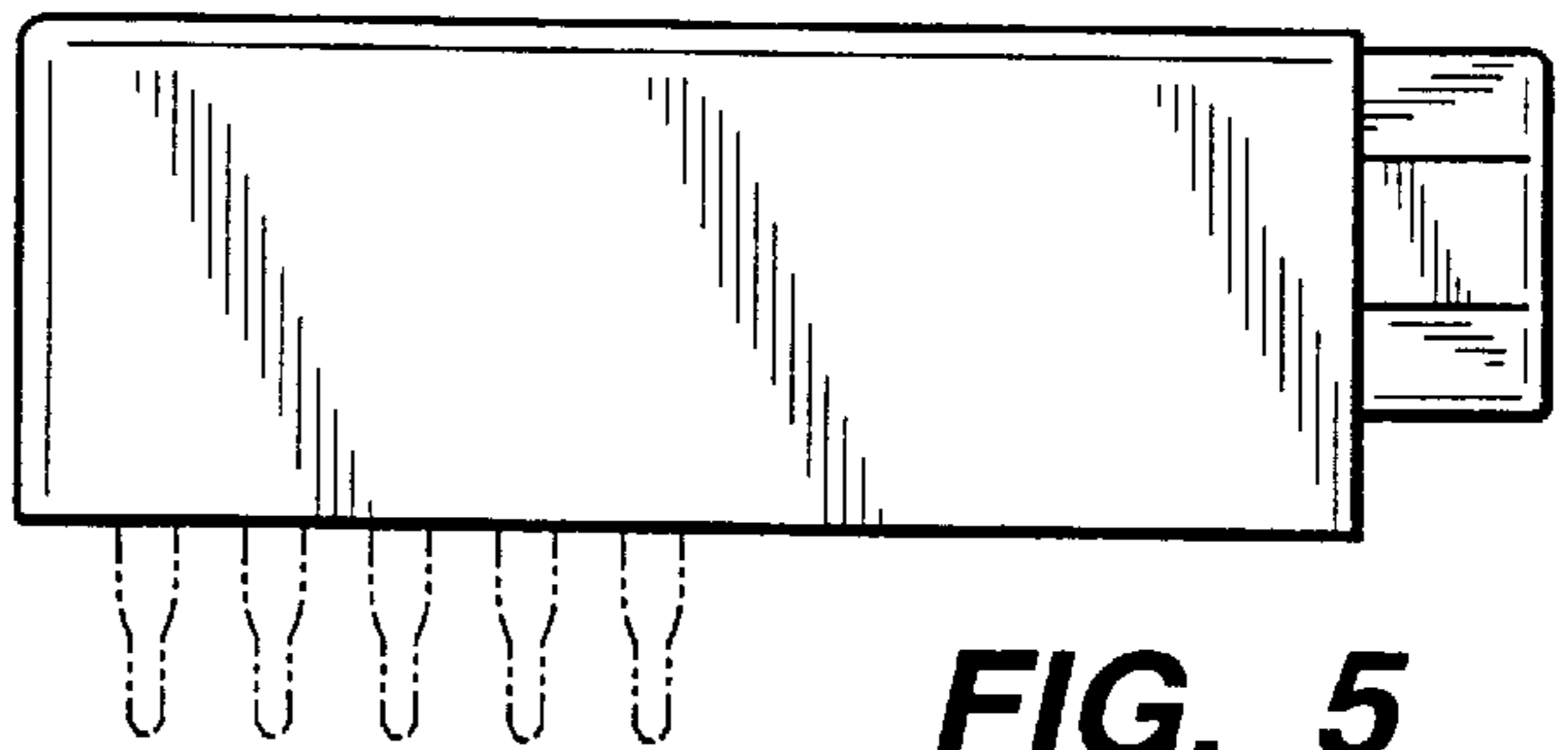


FIG._5

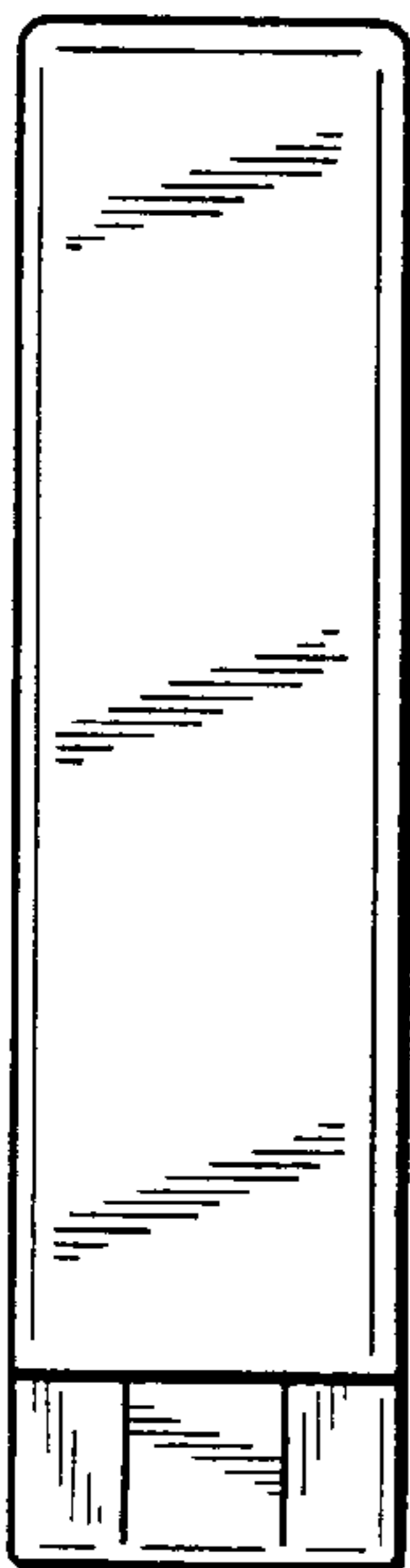


FIG._6

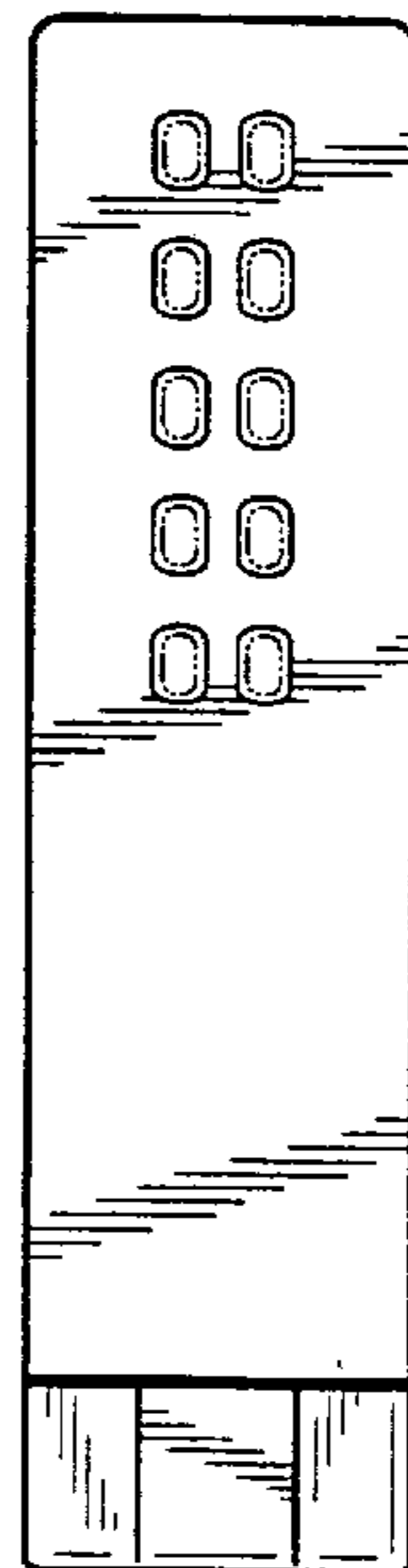


FIG._7