



US00D417860S

# United States Patent [19]

Lau

[11] Patent Number: Des. 417,860

[45] Date of Patent: \*\* Dec. 21, 1999

[54] BATTERY PACK

[75] Inventor: **Wilson Wing Shun Lau**, Kellett Bay, The Hong Kong Special Administrative Region of the People's Republic of China

[73] Assignee: **Dual Voltage Company Limited**, Kowloon, The Hong Kong Special Administrative Region of the People's Republic of China

[\*\*] Term: 14 Years

[21] Appl. No.: 29/075,344

[22] Filed: Aug. 25, 1997

[30] Foreign Application Priority Data

Feb. 26, 1997 [GB] United Kingdom ..... 2063614

[51] LOC (6) Cl. .... 13-02

[52] U.S. Cl. .... D13/103

[58] Field of Search ..... D13/103; 429/96-100, 429/163, 176

[56] References Cited

U.S. PATENT DOCUMENTS

D. 400,494 11/1998 Blase ..... D13/103

D. 408,351	4/1999	Shim	.....	D13/103
D. 409,559	5/1999	Shim	.....	D13/103
D. 409,560	5/1999	Shim	.....	D13/103
4,965,141	10/1990	Suzuki	.....	429/9
4,997,731	3/1991	Machida et al.	.....	429/90
5,709,963	1/1998	Sim	.....	429/99

Primary Examiner—Joel Sincavage  
Attorney, Agent, or Firm—Leydig, Voit & Mayer, Ltd.

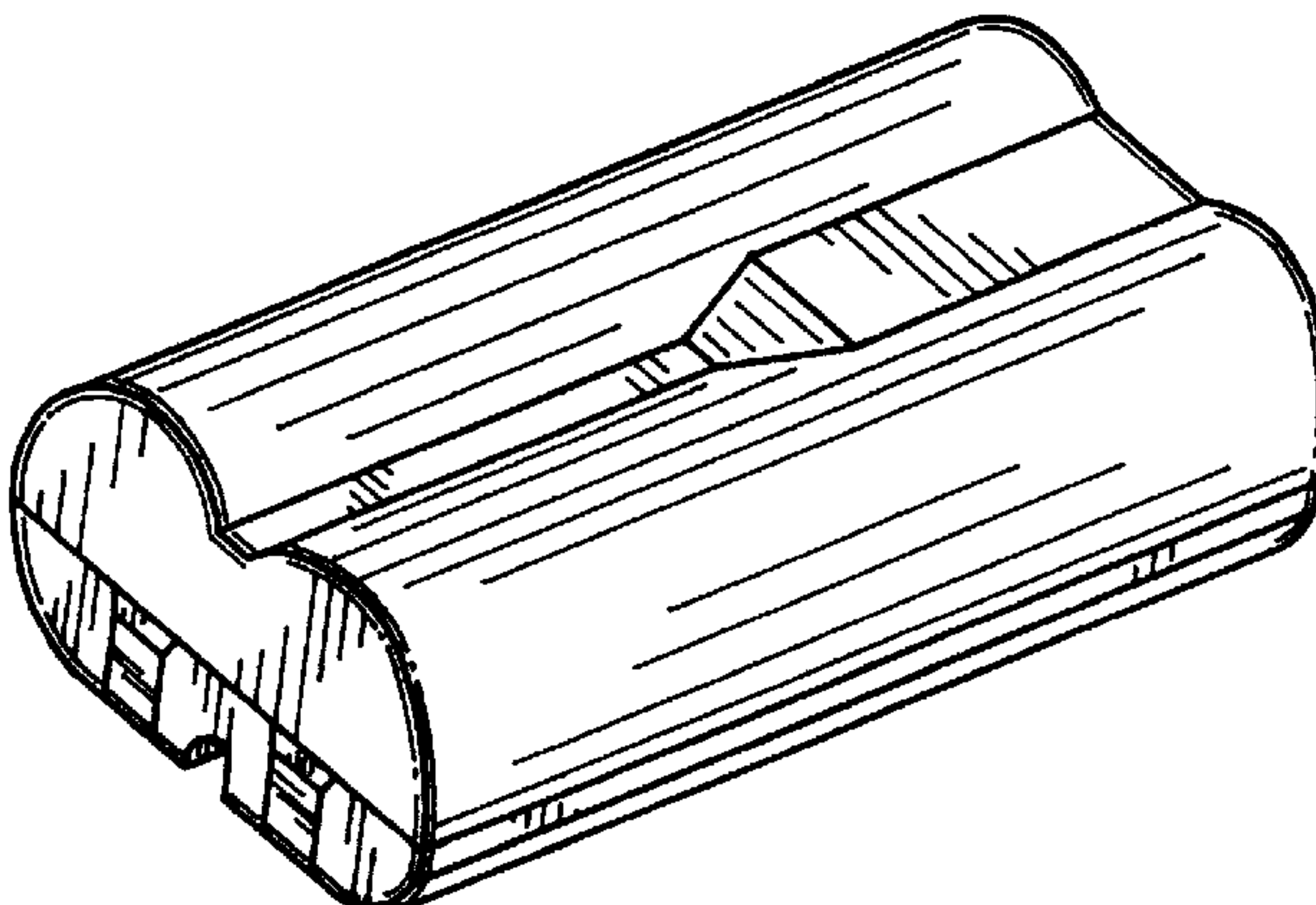
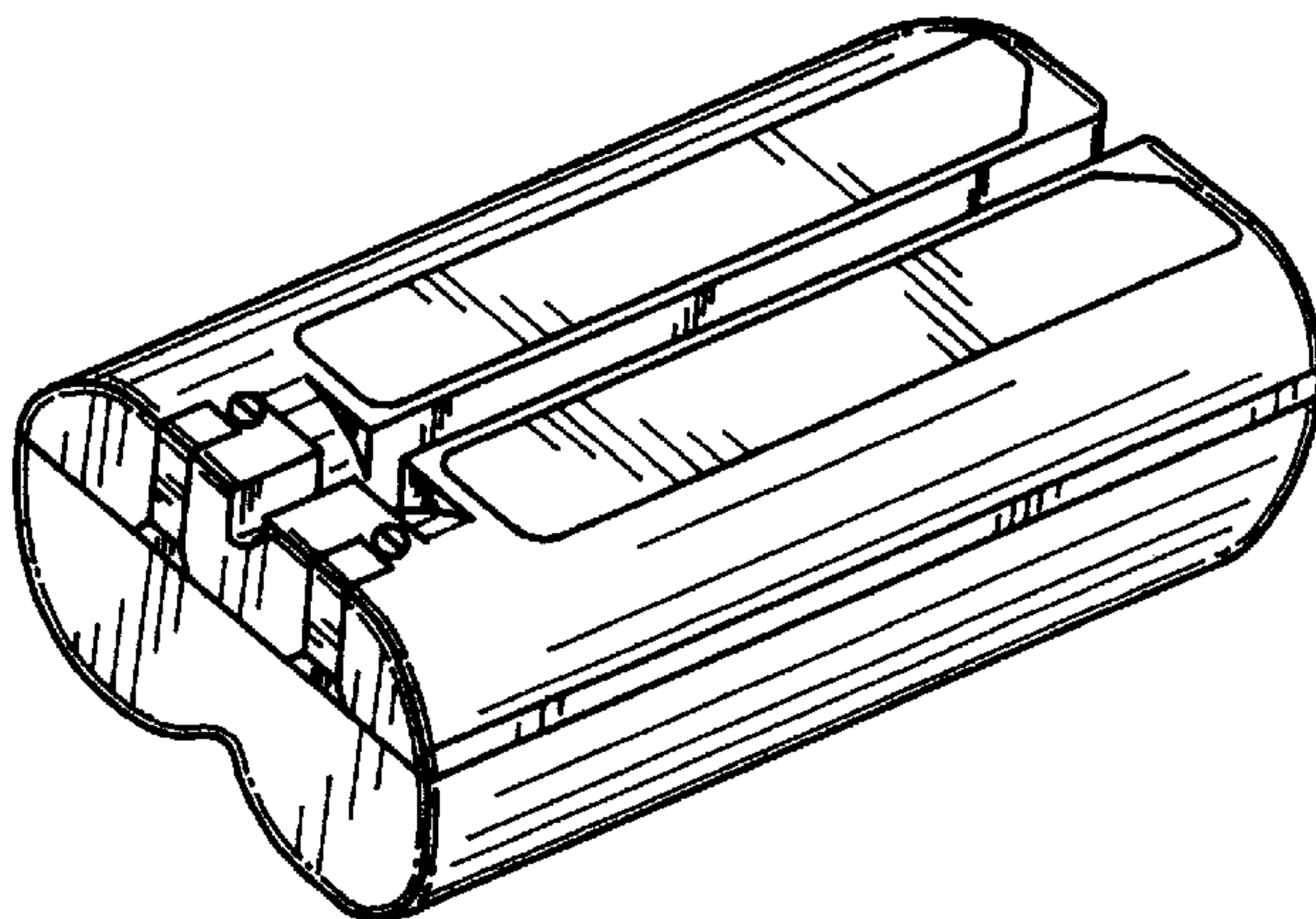
[57] CLAIM

The ornamental design for a battery pack, as shown and described.

DESCRIPTION

FIG. 1 is a top, front end and one side perspective view of a battery pack showing my new design;  
FIG. 2 is a bottom, front end and opposite side perspective view thereof;  
FIG. 3 is a top plan view thereof;  
FIG. 4 is an elevational view of one side thereof;  
FIG. 5 is a bottom plan view thereof;  
FIG. 6 is an elevational view of opposite side thereof;  
FIG. 7 is a front end elevational view thereof; and,  
FIG. 8 is a rear end elevational view thereof.

1 Claim, 2 Drawing Sheets



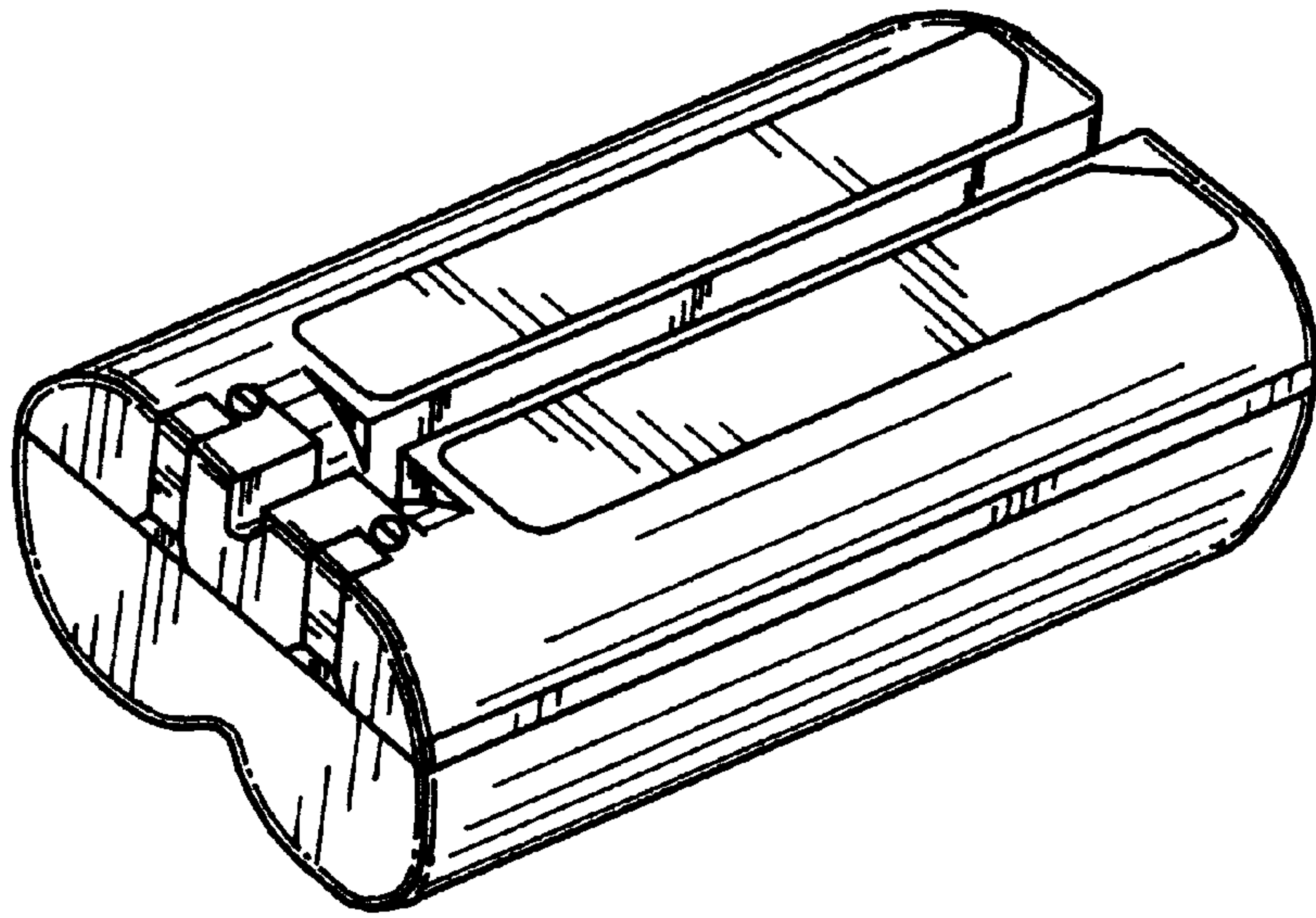


FIG. 1

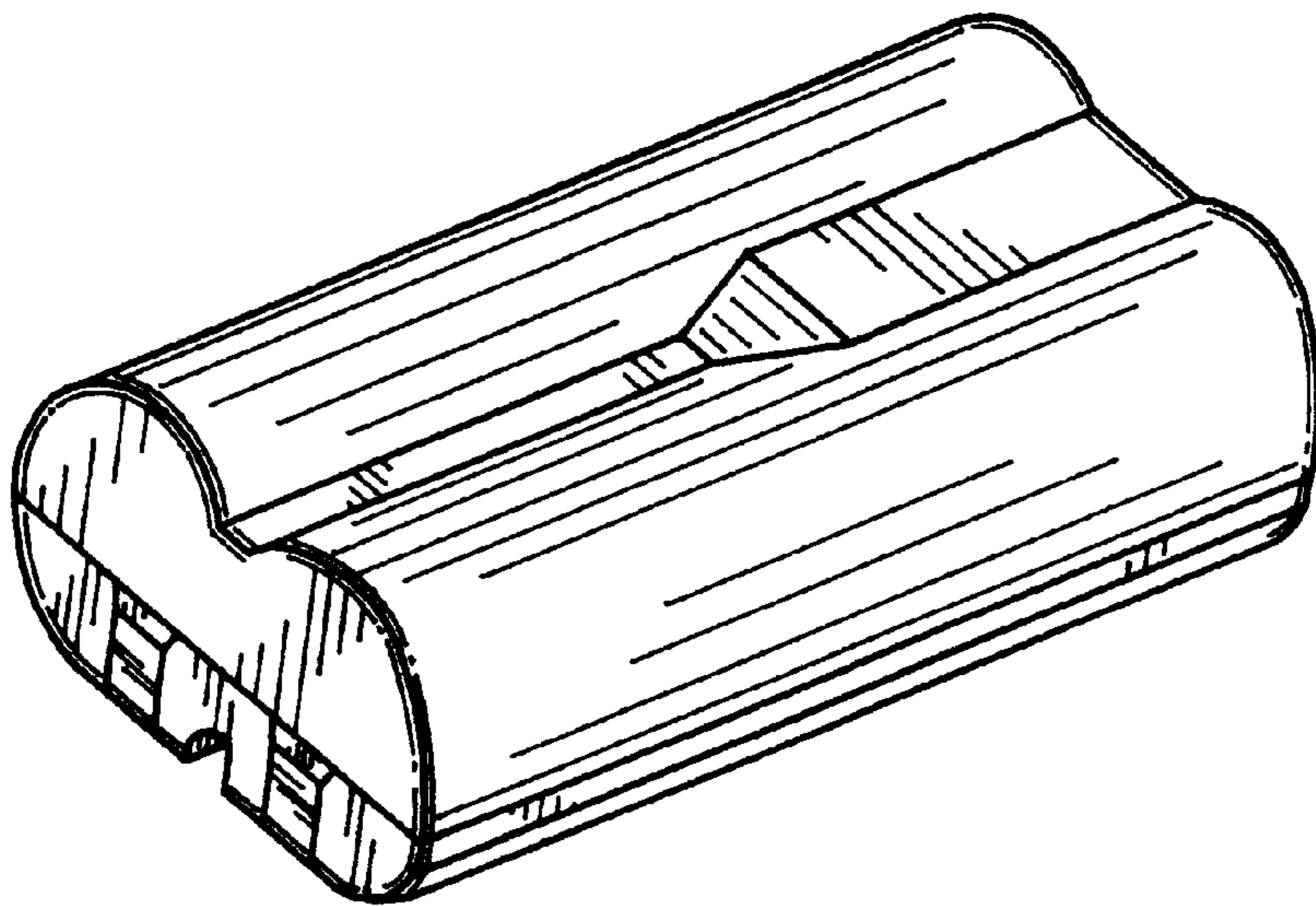


FIG. 2

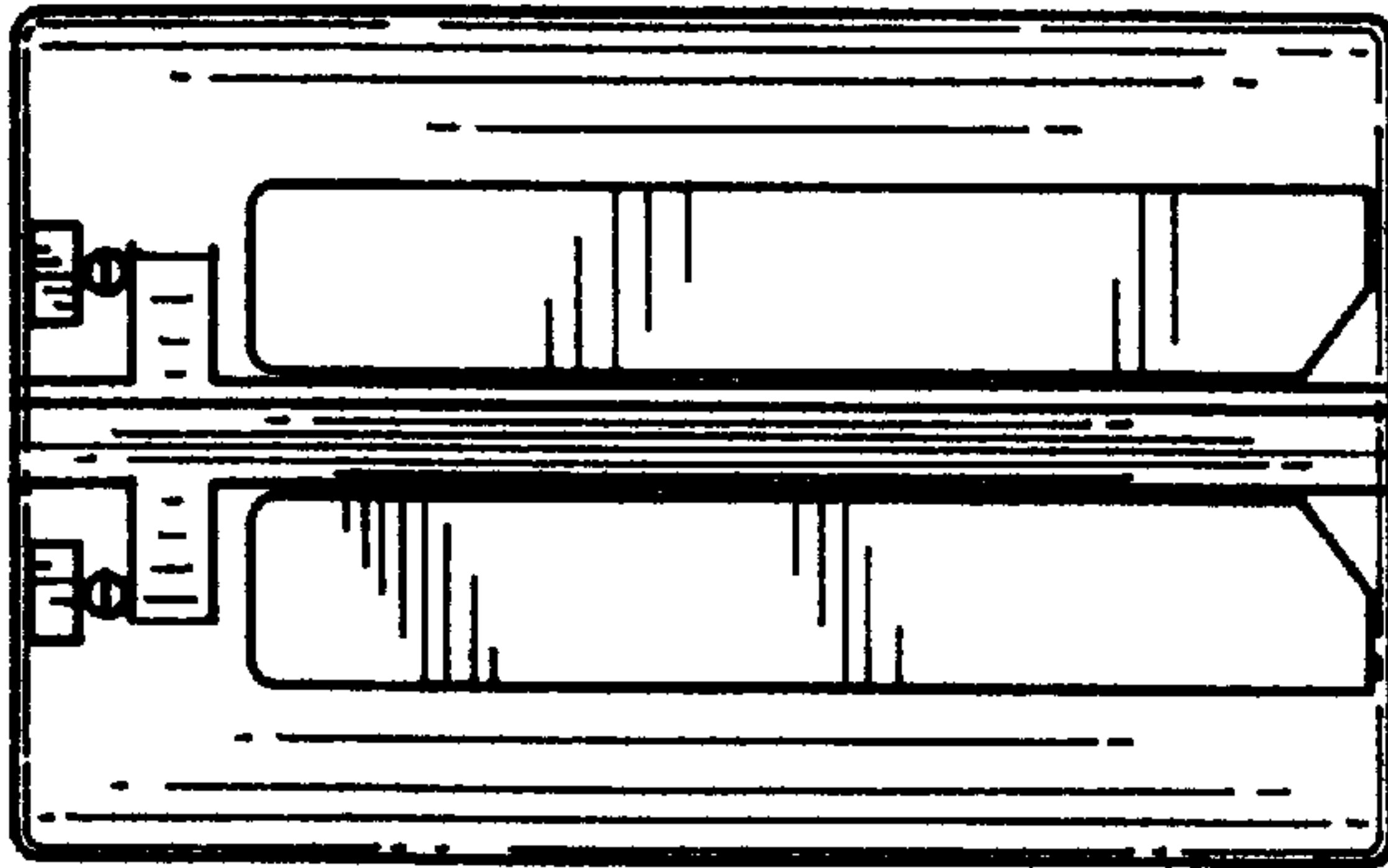


FIG. 3

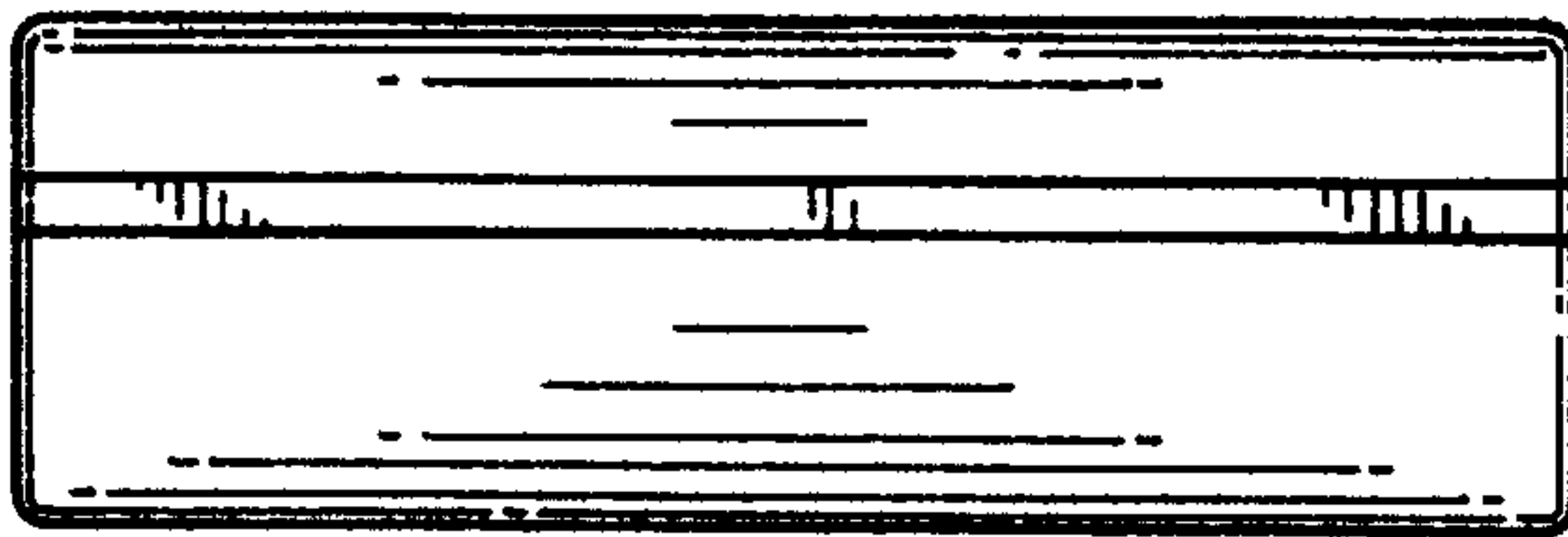


FIG. 4

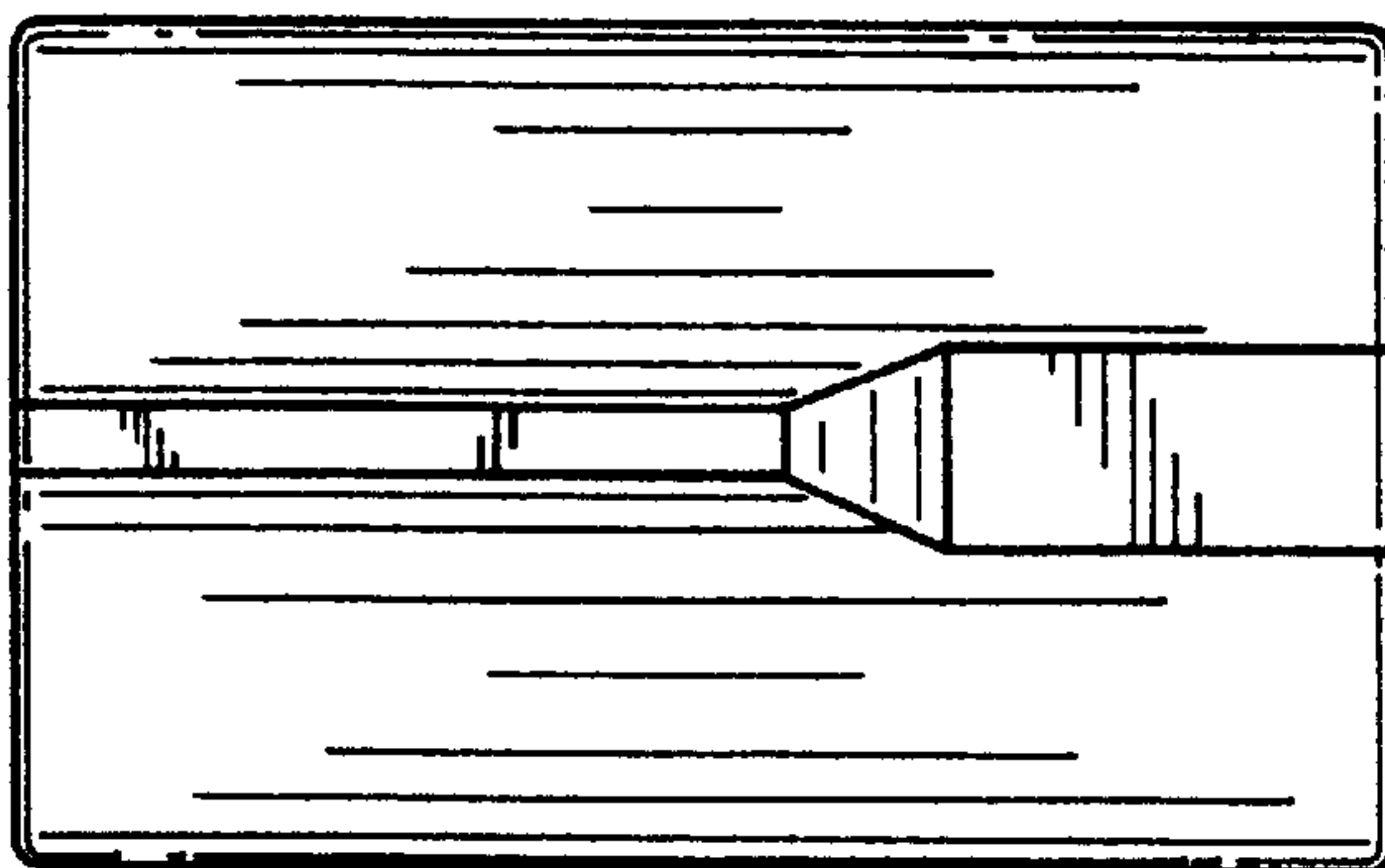


FIG. 5

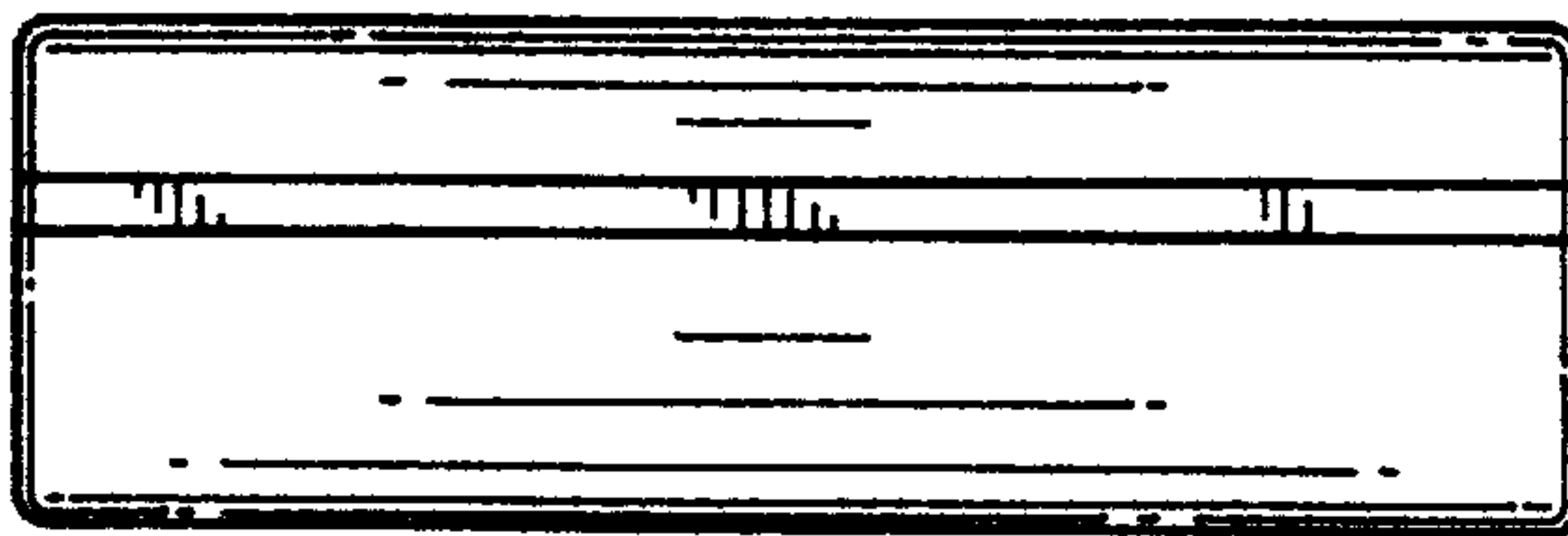


FIG. 6

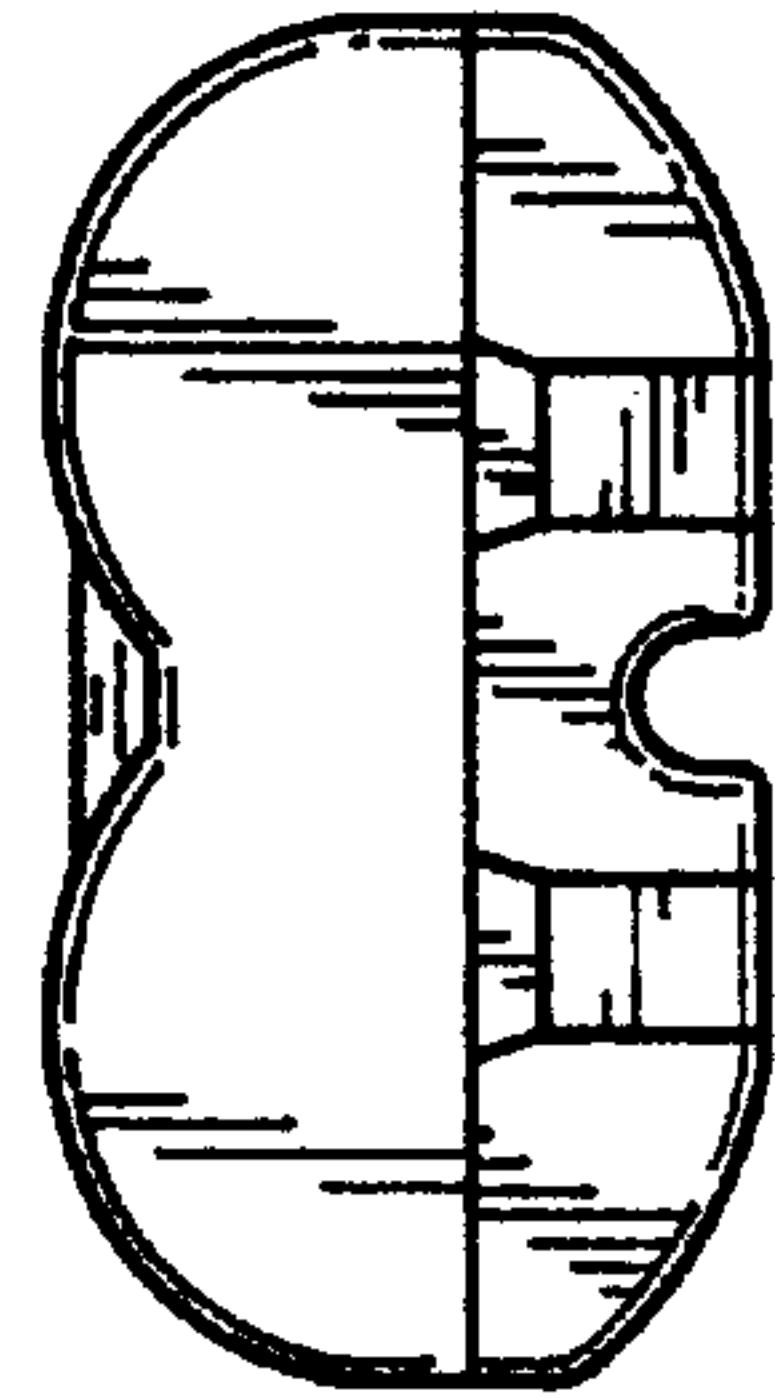


FIG. 7

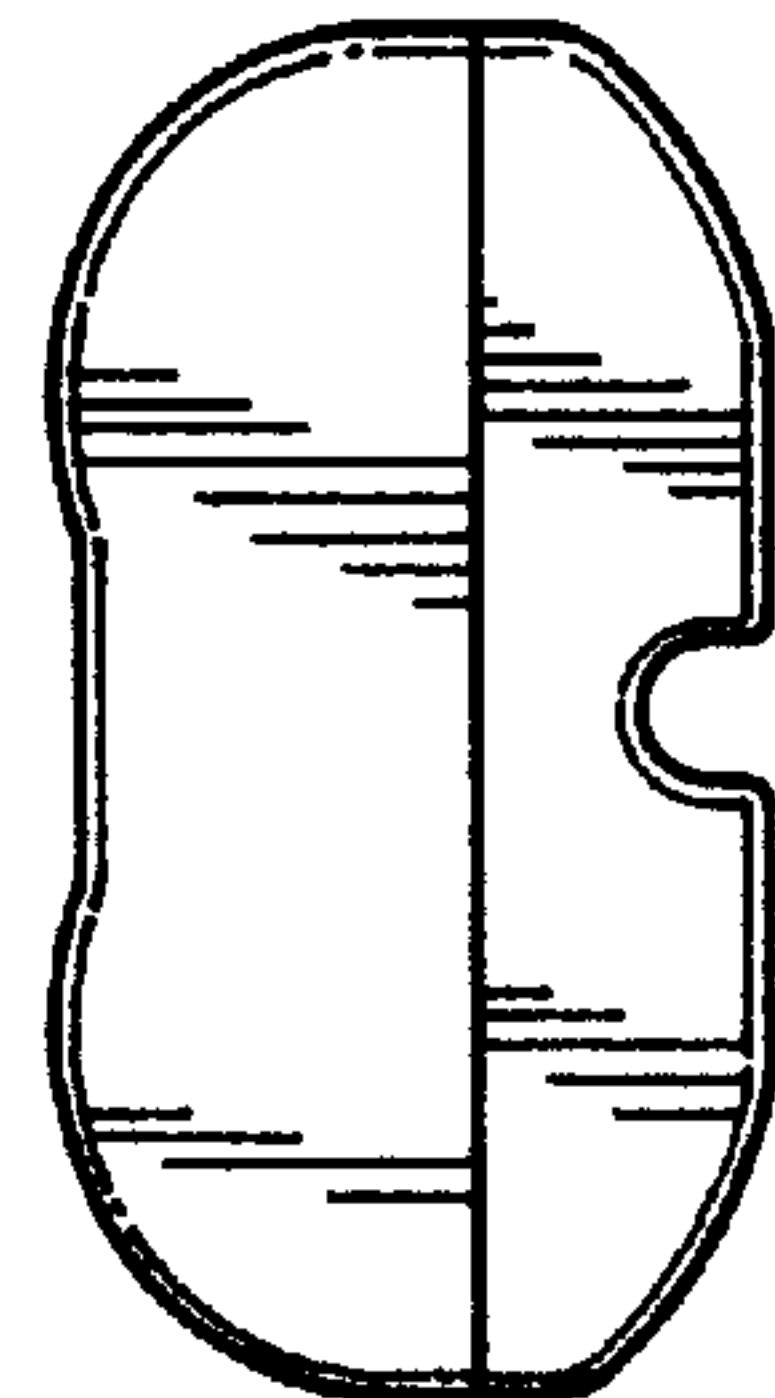


FIG. 8