



US00D417858S

# United States Patent [19] Al-Sabah

[11] **Patent Number: Des. 417,858**

[45] **Date of Patent: \*\* Dec. 21, 1999**

[54] **ANCHOR**

4,644,894 2/1987 Woodgate ..... 114/304  
4,972,793 11/1990 Sakai ..... 114/304

[76] Inventor: **Sabah Naser Al-Sabah**, P.B. 36777,  
Al-Ras 24758, Kuwait

*Primary Examiner*—Kay H. Chin  
*Attorney, Agent, or Firm*—Allen, Dyer, Doppelt, Milbrath &  
Gilchrist, P.A.

[\*\*] Term: **14 Years**

[21] Appl. No.: **29/085,022**

[57] **CLAIM**

[22] Filed: **Mar. 13, 1998**

The ornamental design for an anchor, as shown and described.

[51] **LOC (6) Cl.** ..... **12-06**

**DESCRIPTION**

[52] **U.S. Cl.** ..... **D12/215; D12/317**

[58] **Field of Search** ..... D12/215, 317;  
114/294, 297, 298, 299, 301-304

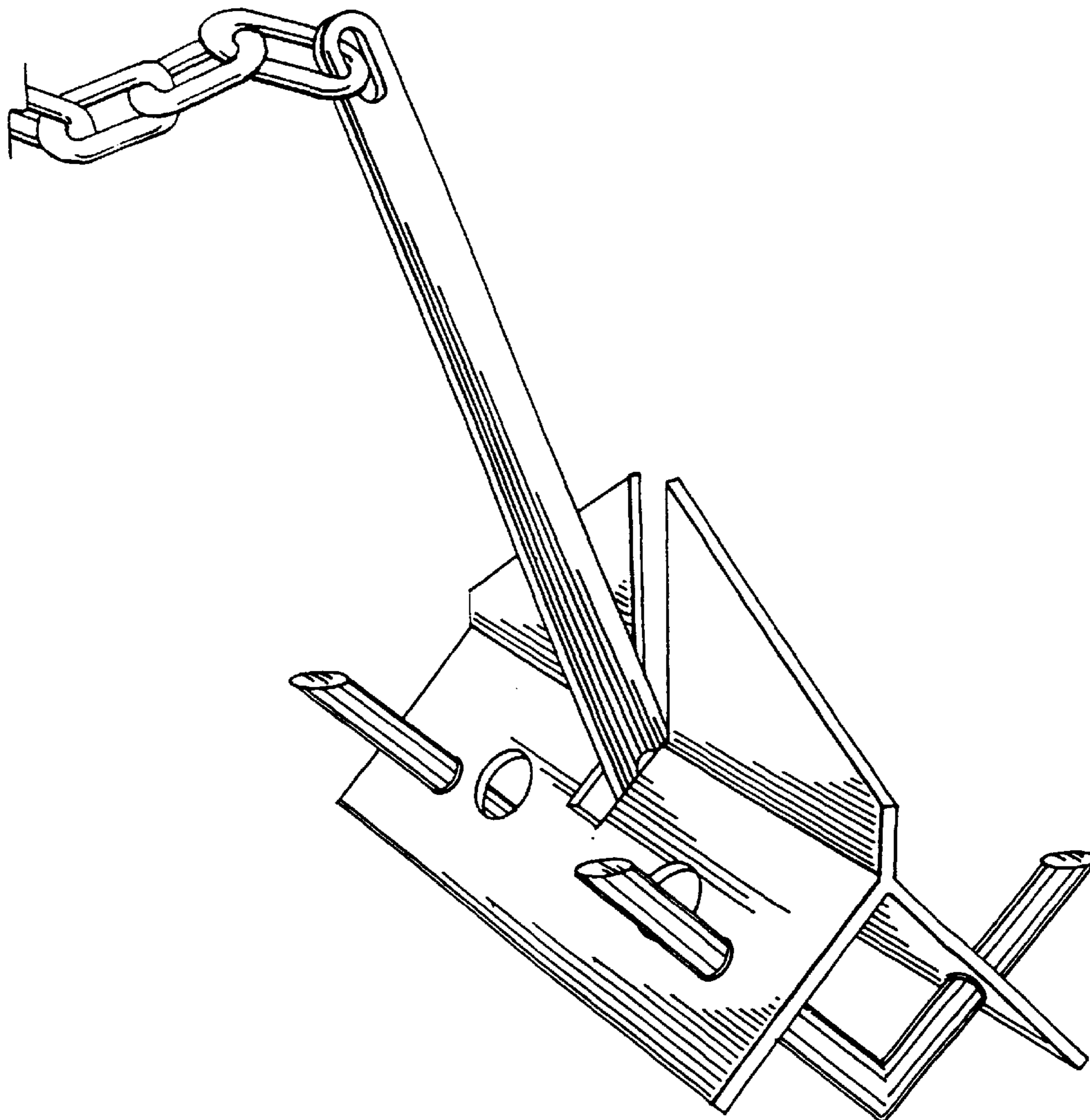
FIG. 1 is a perspective view of an anchor according to my new design;  
FIG. 2 is a top plan view of FIG. 1;  
FIG. 3 is a bottom plan view of FIG. 1;  
FIG. 4 is a front elevational view of FIG. 1, the rear being a mirror image thereof; and,  
FIG. 5 is a right side elevational view of FIG. 1, the left side being a mirror image thereof.

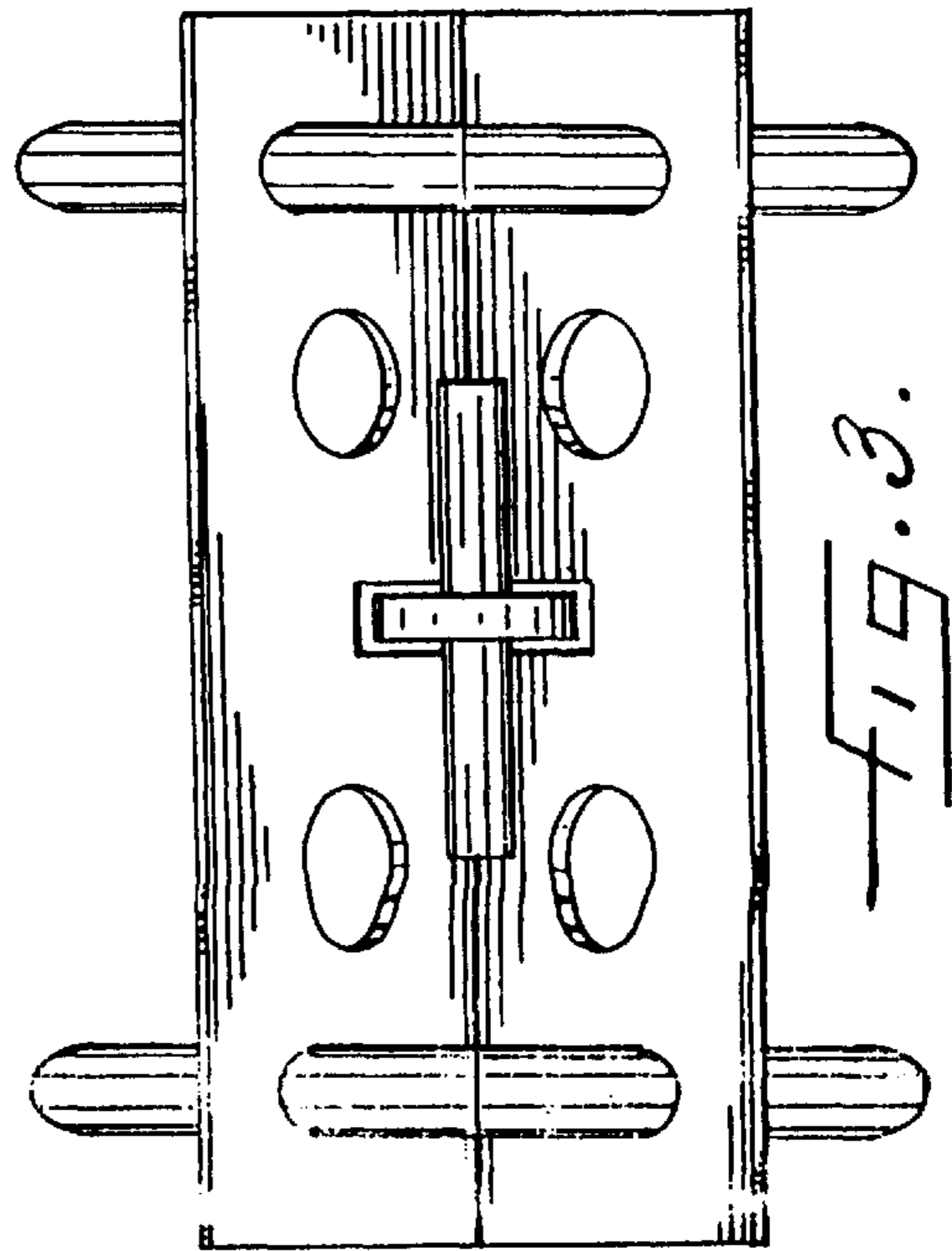
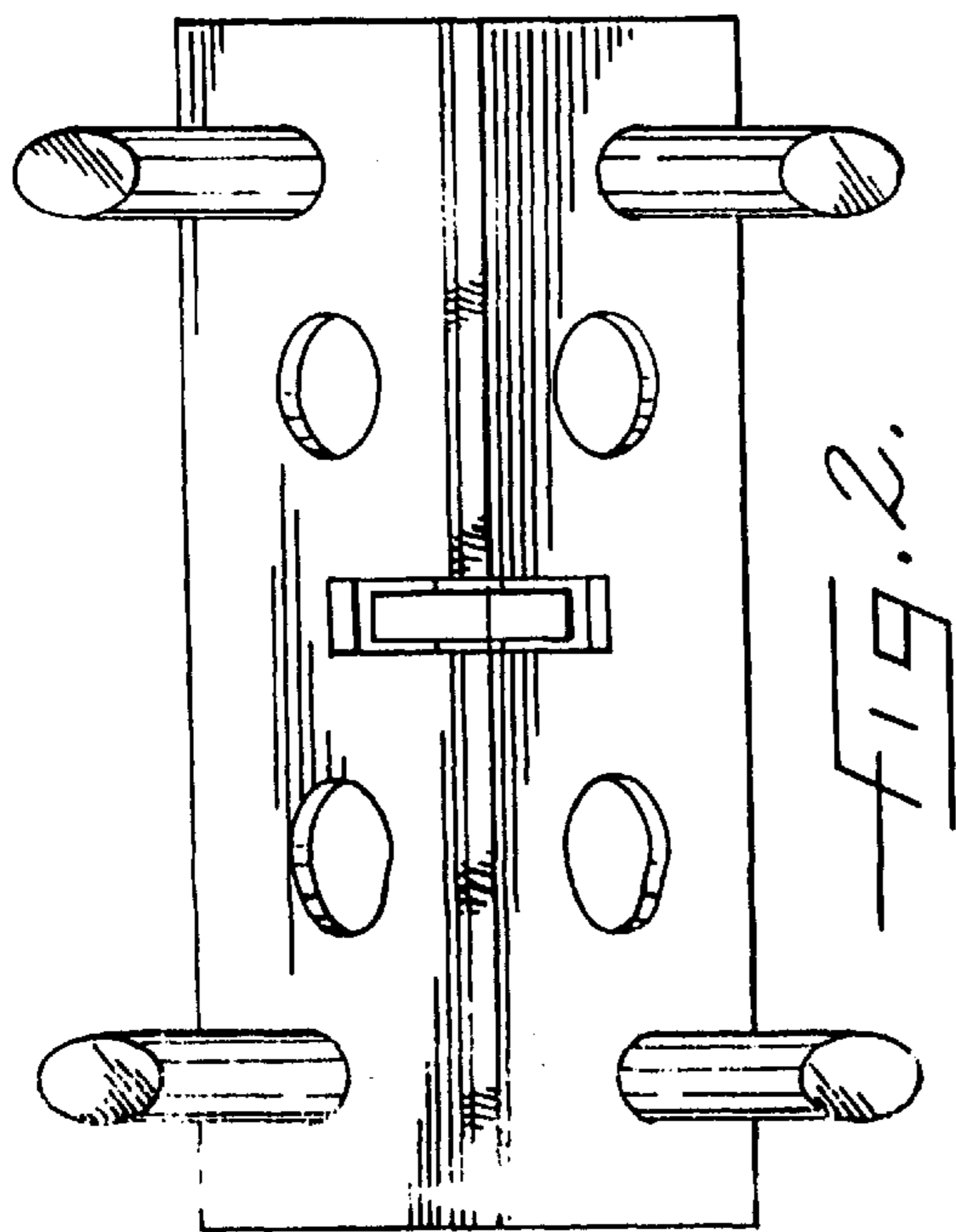
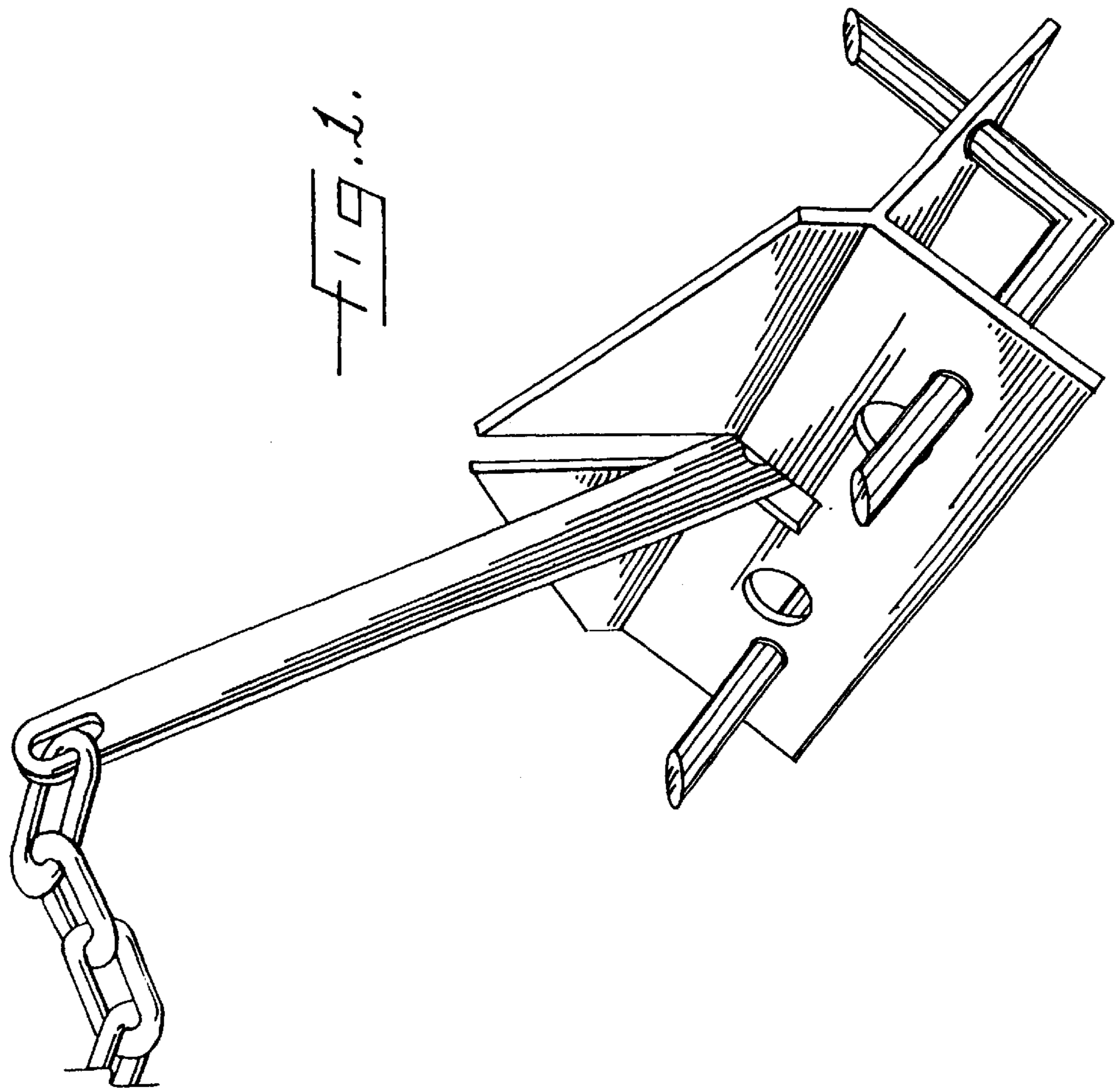
[56] **References Cited**

**U.S. PATENT DOCUMENTS**

D. 343,607	1/1994	Martin	.....	D12/215
4,134,355	1/1979	Carruthers	.....	114/297
4,385,584	5/1983	Simpson, III	.....	114/306
4,397,257	8/1983	Colin	.....	114/304

**1 Claim, 2 Drawing Sheets**





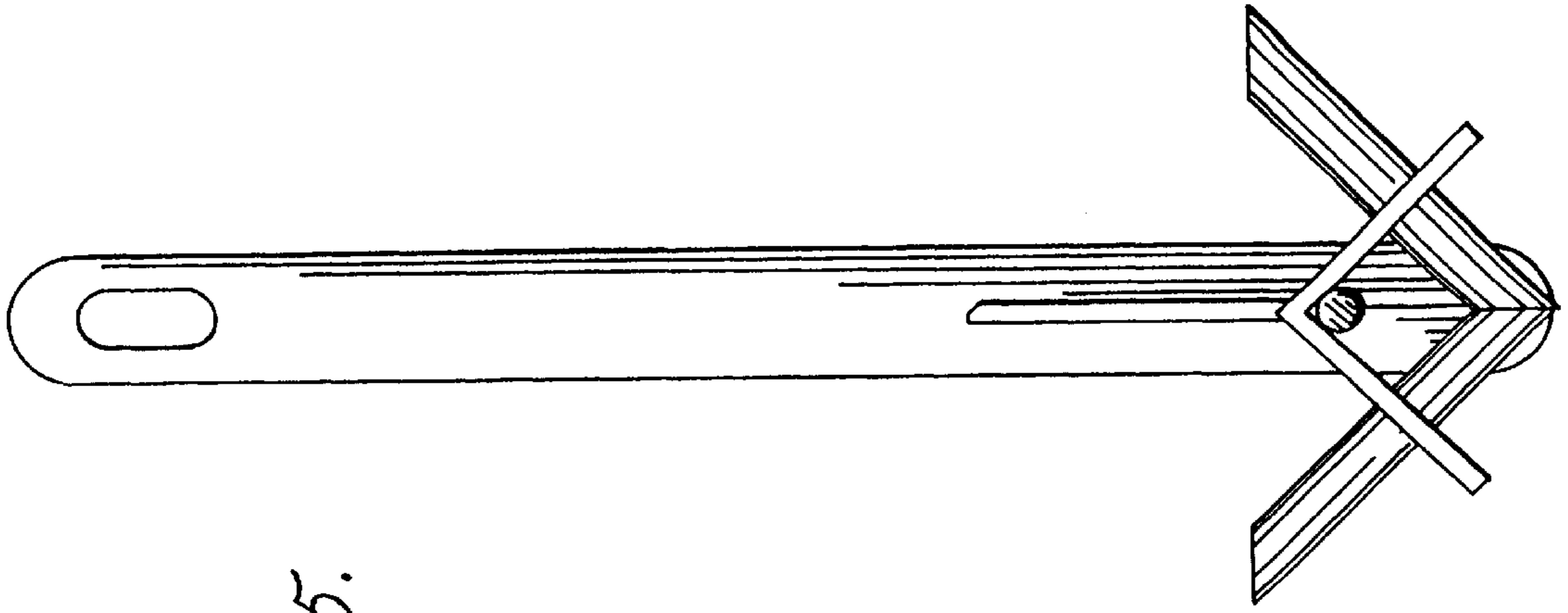


FIG. 5.

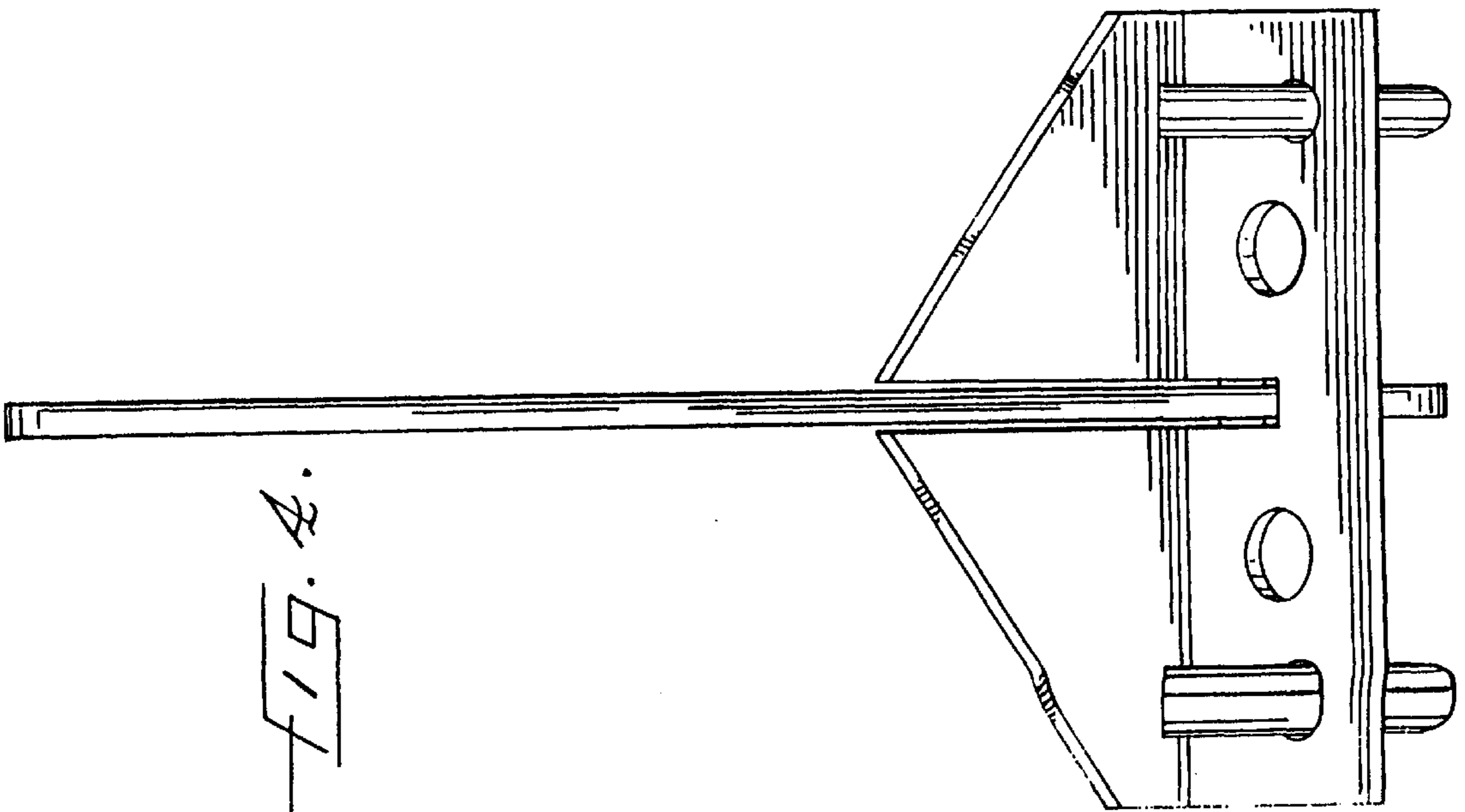


FIG. 4.