



US00D417843S

United States Patent [19] Srinual

[11] **Patent Number: Des. 417,843**

[45] **Date of Patent: ** Dec. 21, 1999**

[54] **JEWELRY BOX**

[75] Inventor: **Sanaie Srinual**, Bangpong, Thailand

[73] Assignee: **Cosmo Group PCL**, Bangkok, Thailand

[**] Term: **14 Years**

[21] Appl. No.: **29/057,383**

[22] Filed: **Jul. 24, 1996**

[51] **LOC (6) Cl.** **09-07**

[52] **U.S. Cl.** **D9/423; D9/432**

[58] **Field of Search** D9/420-425, 432, D9/337, 414; D28/83; 206/6.1, 18, 301, 506, 508; 220/334, 337

[56] **References Cited**

U.S. PATENT DOCUMENTS

| | | | | |
|------------|---------|-------------|-------|-----------|
| D. 9,689 | 1/1877 | Morgan | | D9/423 |
| D. 209,477 | 12/1967 | Braun | | D9/423 X |
| D. 333,264 | 2/1993 | Kaplan | . | |
| 488,097 | 12/1892 | Smith | | 206/18 |
| 1,098,768 | 6/1914 | Sundee | | 206/301 |
| 1,636,251 | 7/1927 | Shields | | 206/6.1 X |
| 3,390,809 | 7/1968 | Becucci | | D9/423 X |
| 3,937,319 | 2/1976 | Roy | | 206/6.1 X |
| 3,937,320 | 2/1976 | Chao et al. | | 206/566 X |
| 4,732,269 | 3/1988 | Roy | | 206/6.1 X |
| 5,358,099 | 10/1994 | Tavone | | 206/6.1 |

OTHER PUBLICATIONS

Catu Catalog 1984.
Jewelers Circular Keystone, 6, 1975, p. 21.
Jewelers Circular Keystone 6, 1979, p. 98.
United States Box Corp Cat, 1982, p. 38.

Primary Examiner—Prabhakar Deshmukh
Attorney, Agent, or Firm—Leighton K. Chong

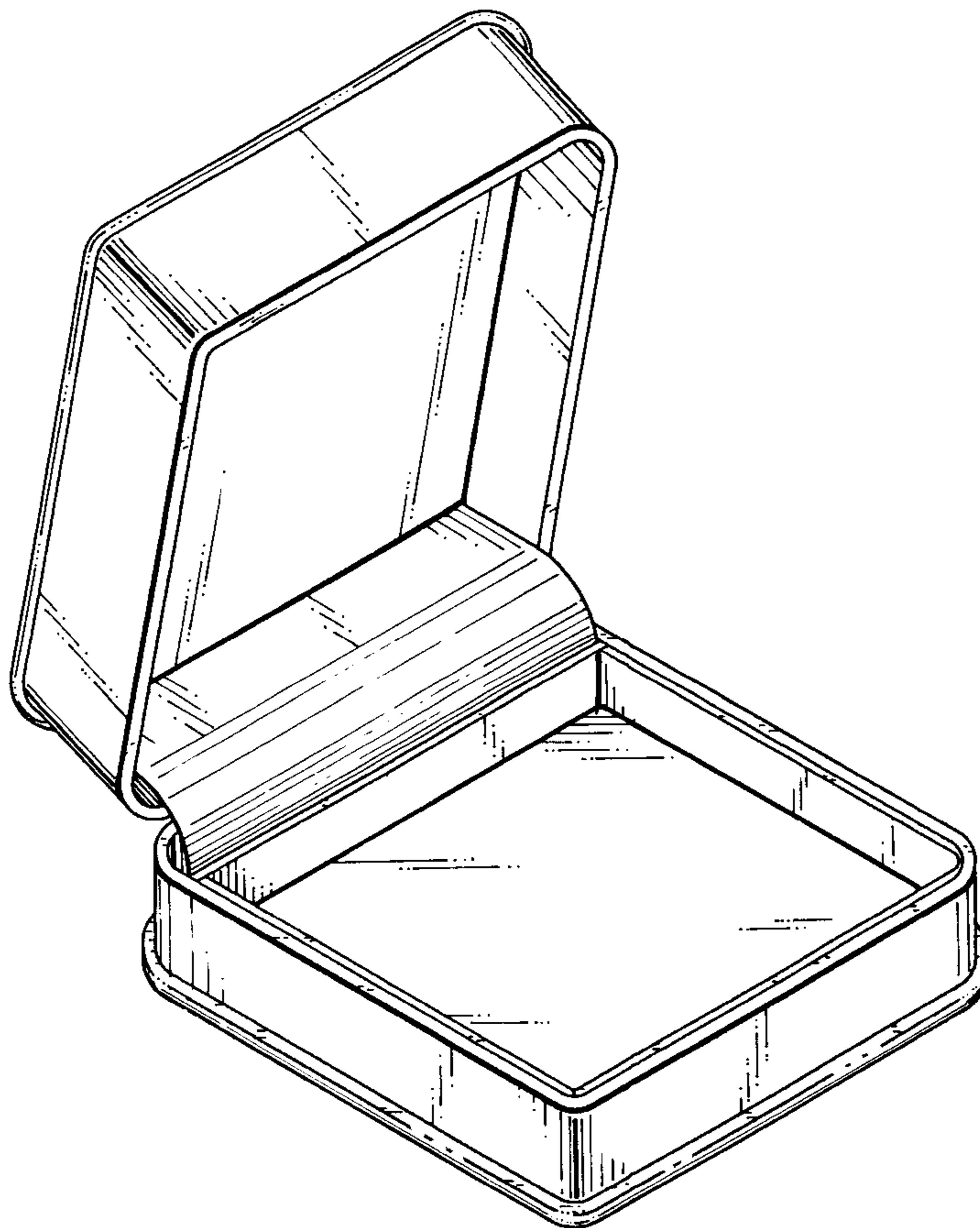
[57] **CLAIM**

The ornamental design for the jewelry box, as shown and described.

DESCRIPTION

FIG. 1 is a front perspective view showing the new design for the jewelry box;
FIG. 2 is a front perspective view of the jewelry box shown in FIG. 1 with its top in an opened position;
FIG. 3 is a right side elevational view of the jewelry box shown in FIG. 1;
FIG. 4 is a front elevational view of the jewelry box shown in FIG. 1;
FIG. 5 is a rear elevational view of the jewelry box shown in FIG. 1;
FIG. 6 is a top view of the jewelry box shown in FIG. 1;
FIG. 7 is a bottom view of the jewelry box shown in FIG. 1; and,
FIG. 8 is a left side elevational view of the jewelry box shown in FIG. 1.

1 Claim, 5 Drawing Sheets



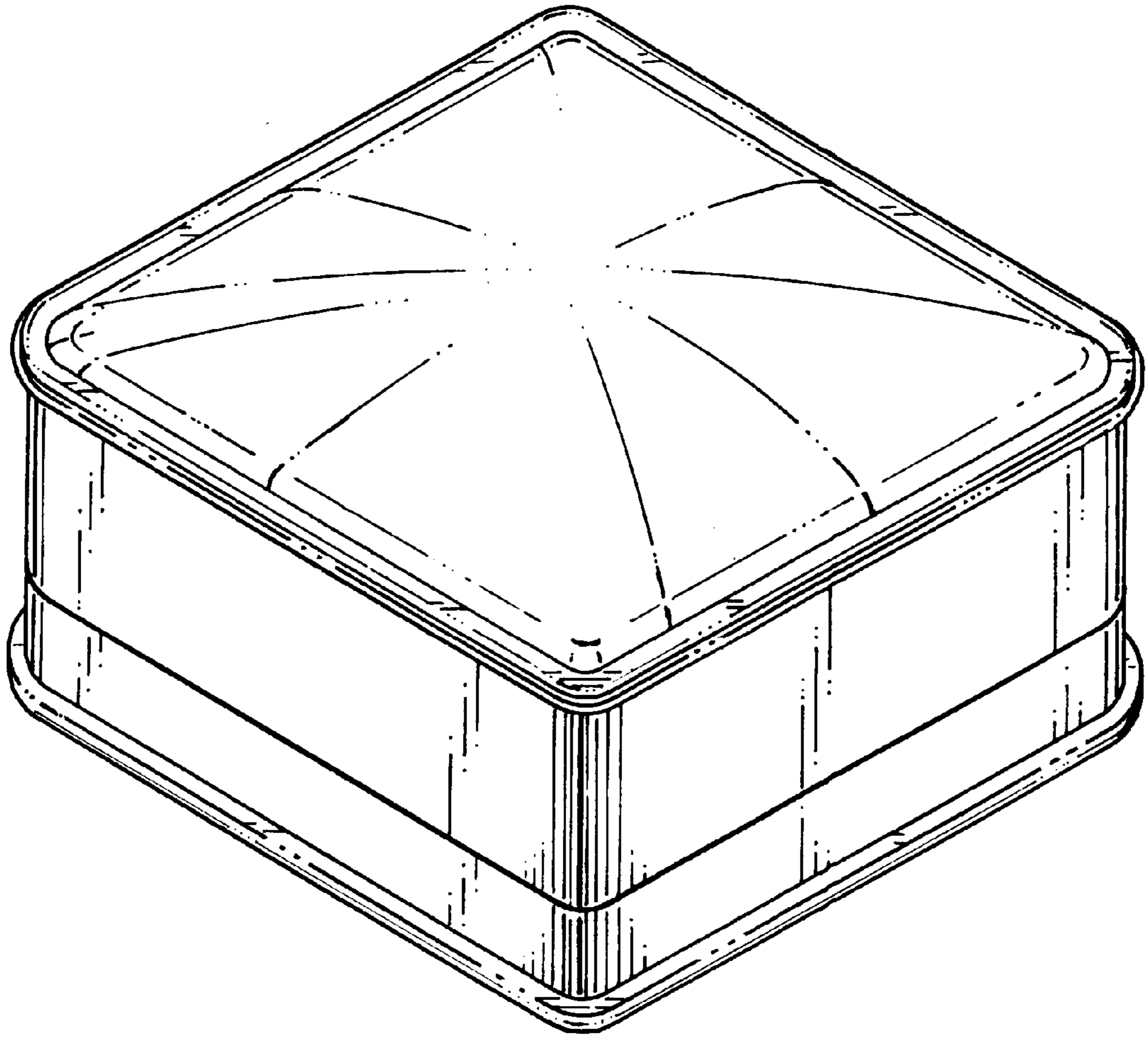


FIG. 1

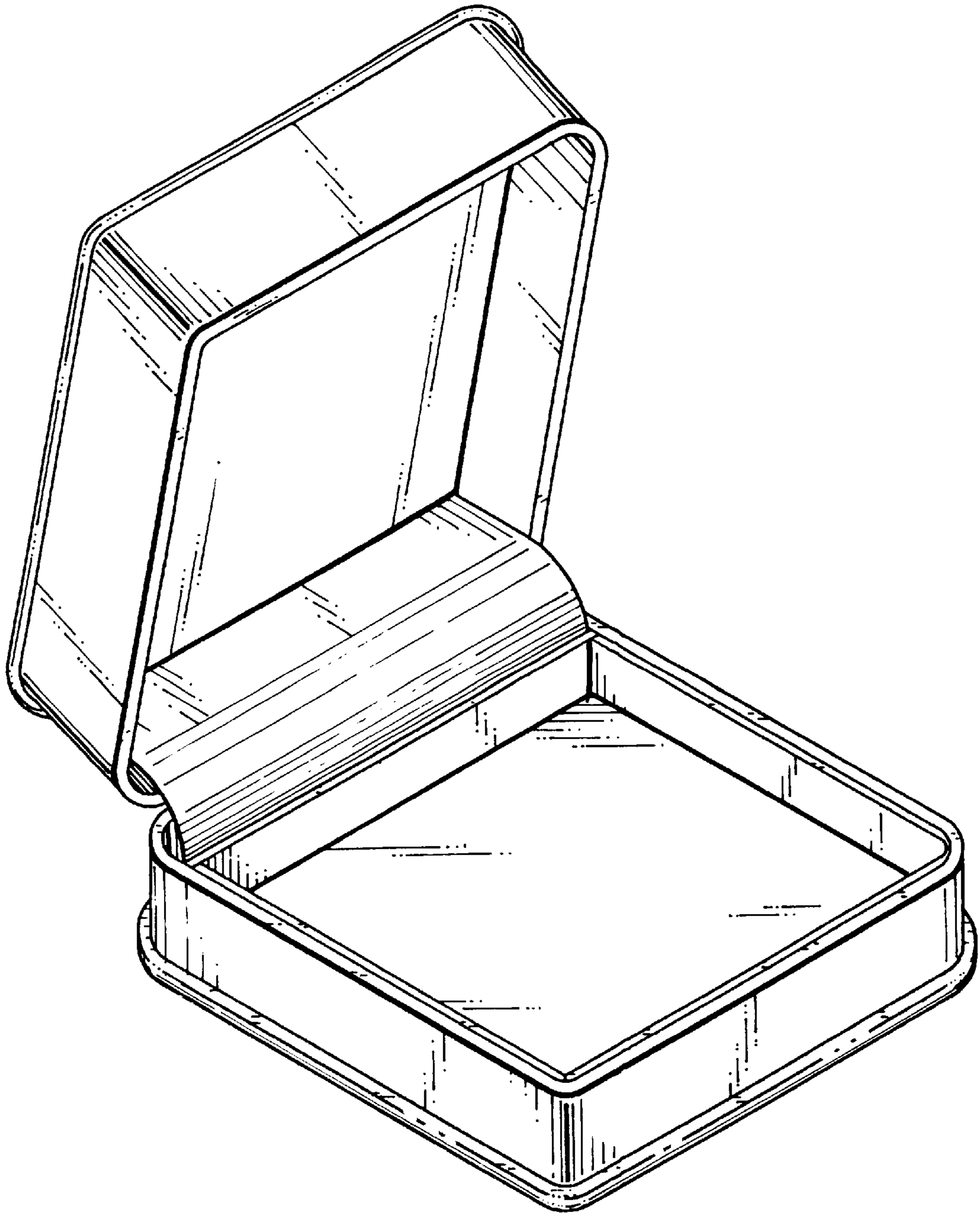


FIG. 2

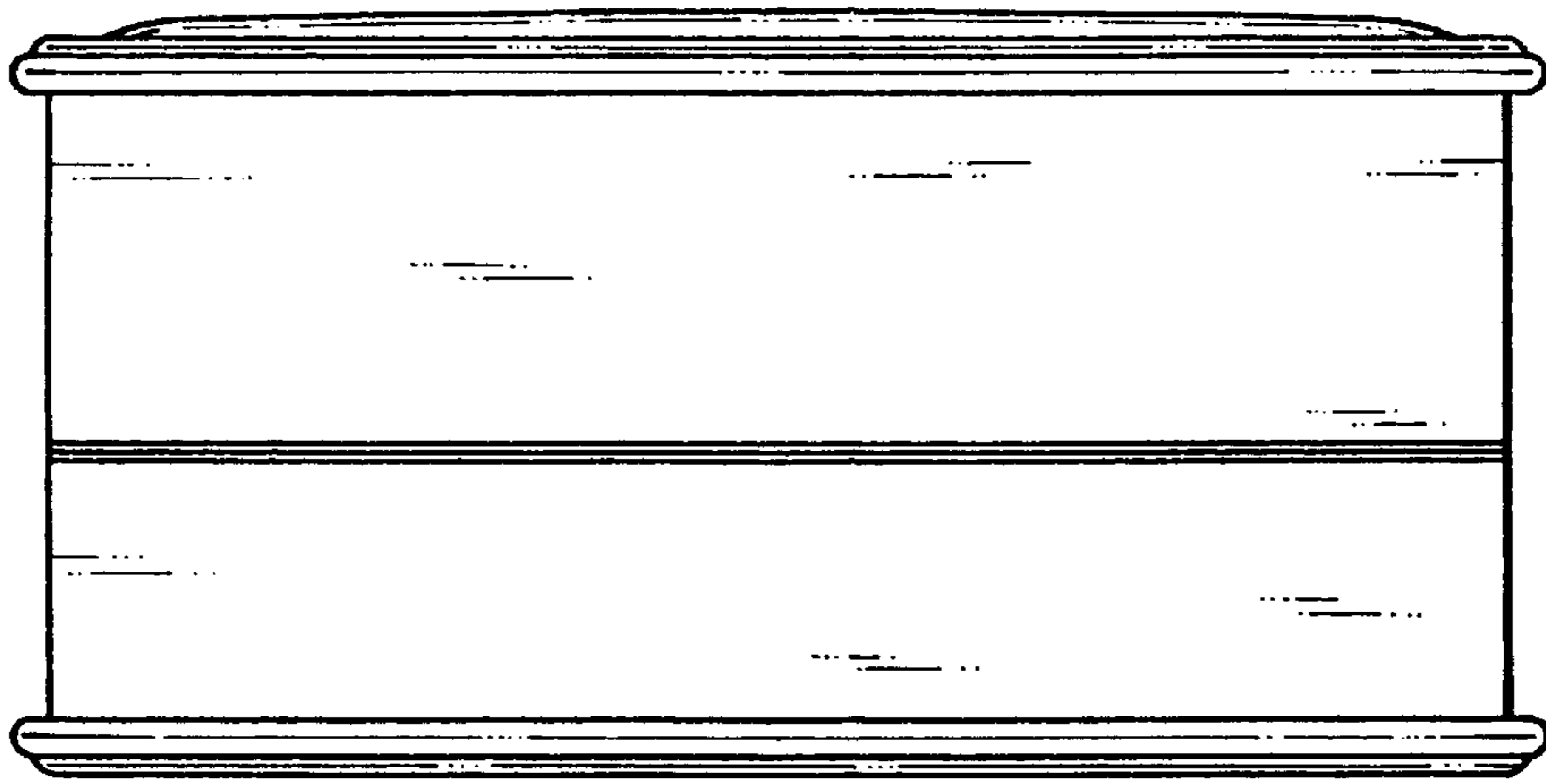


FIG. 3

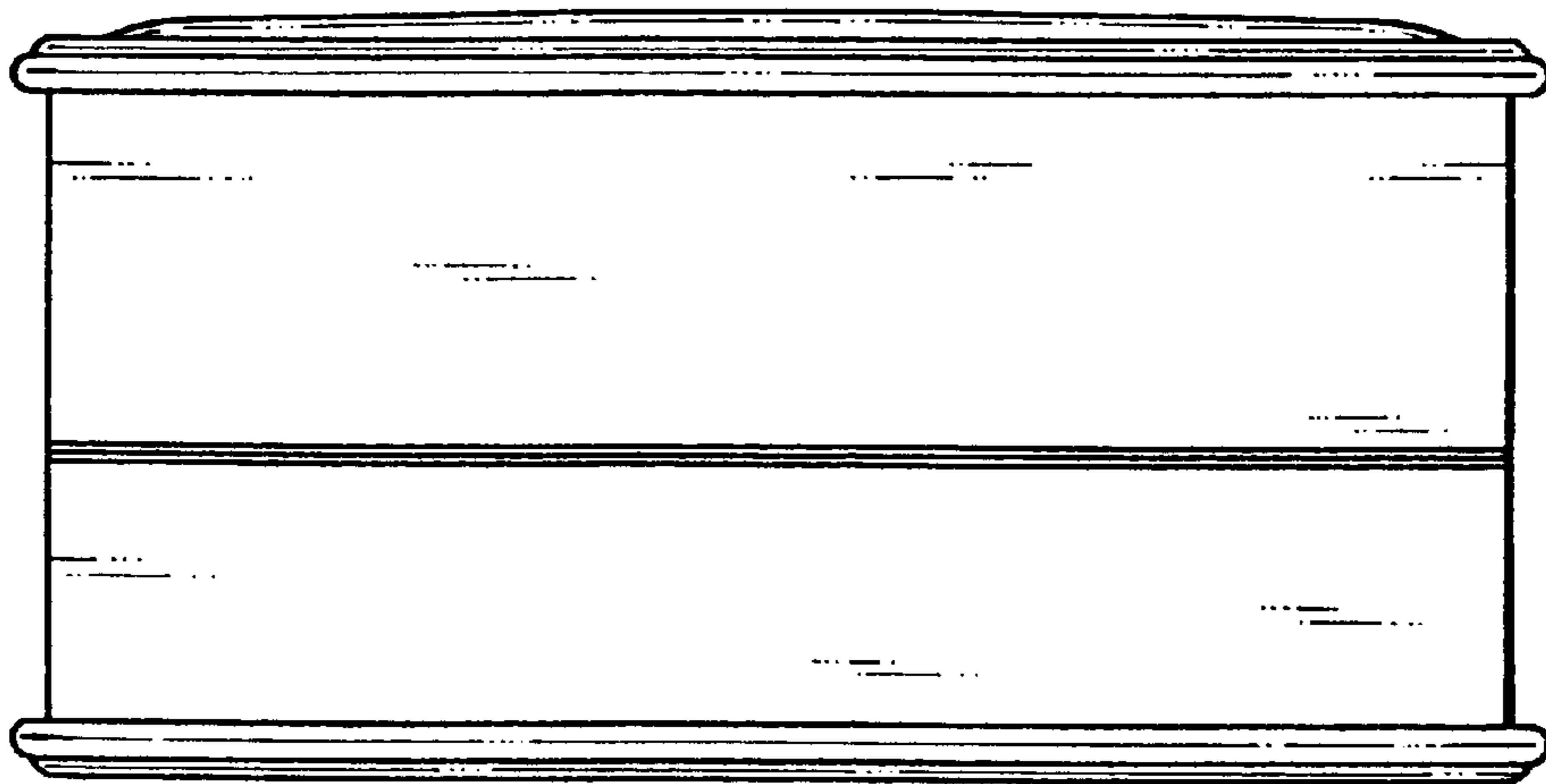


FIG. 4

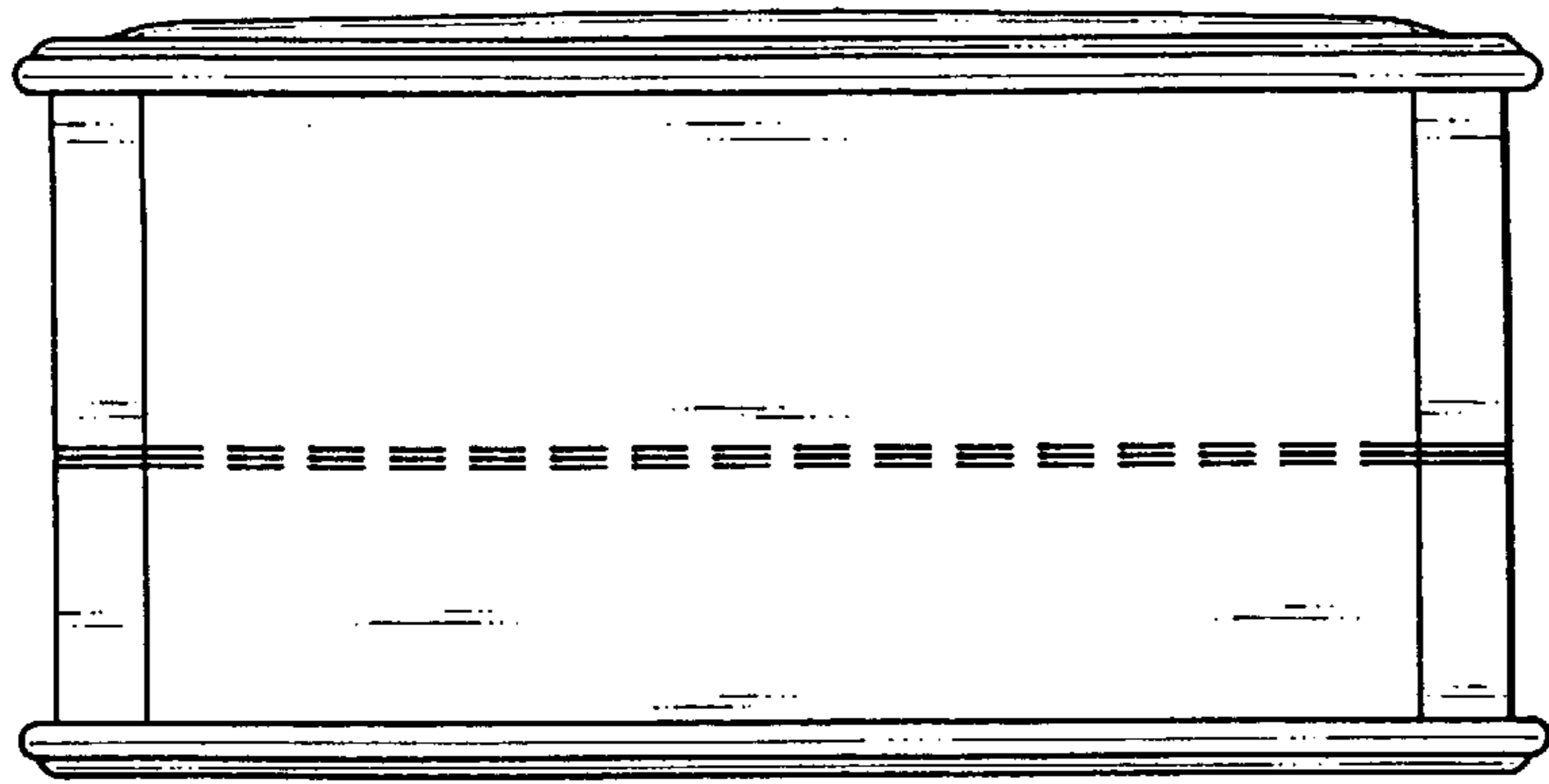


FIG. 5

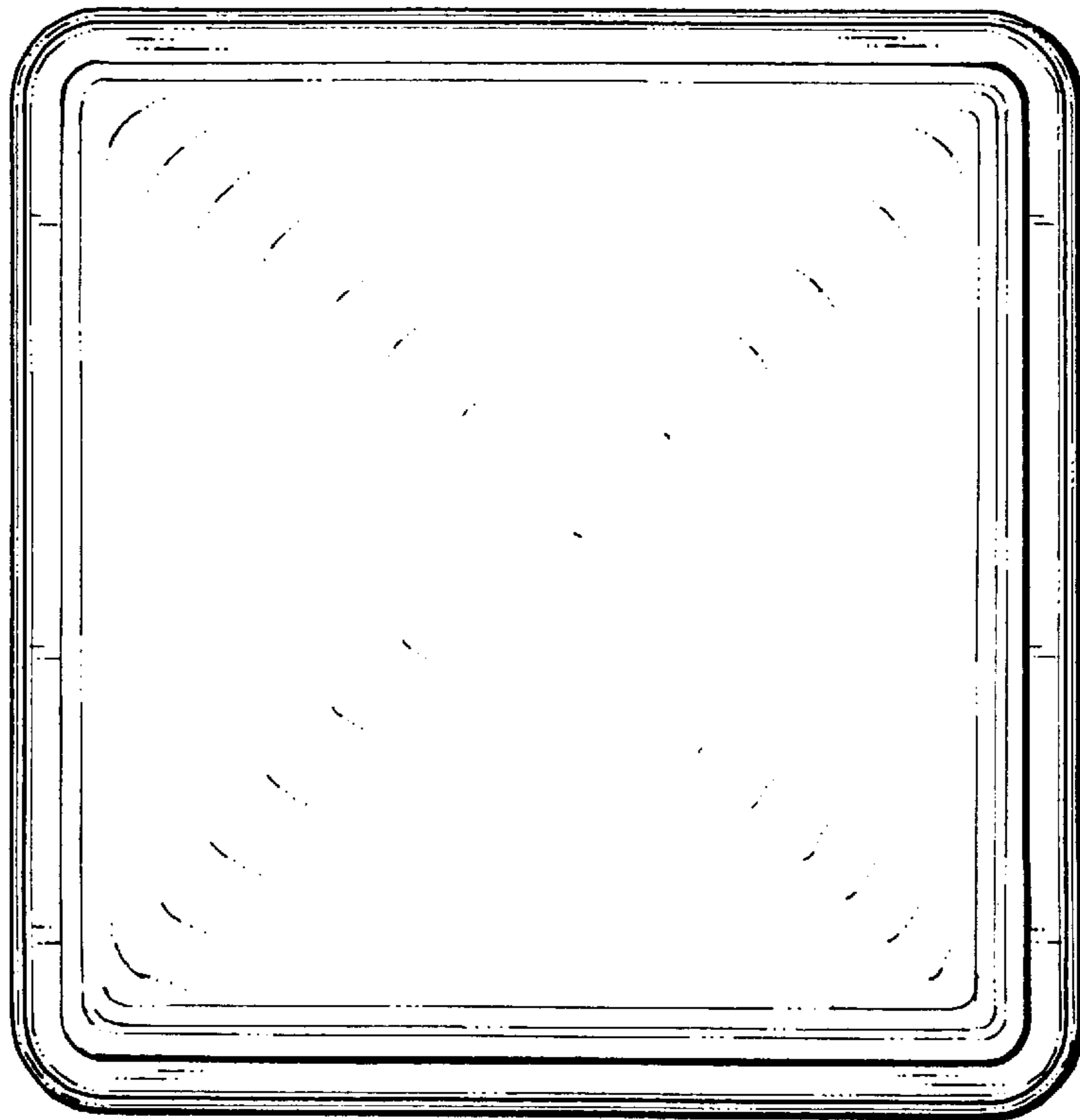


FIG. 6

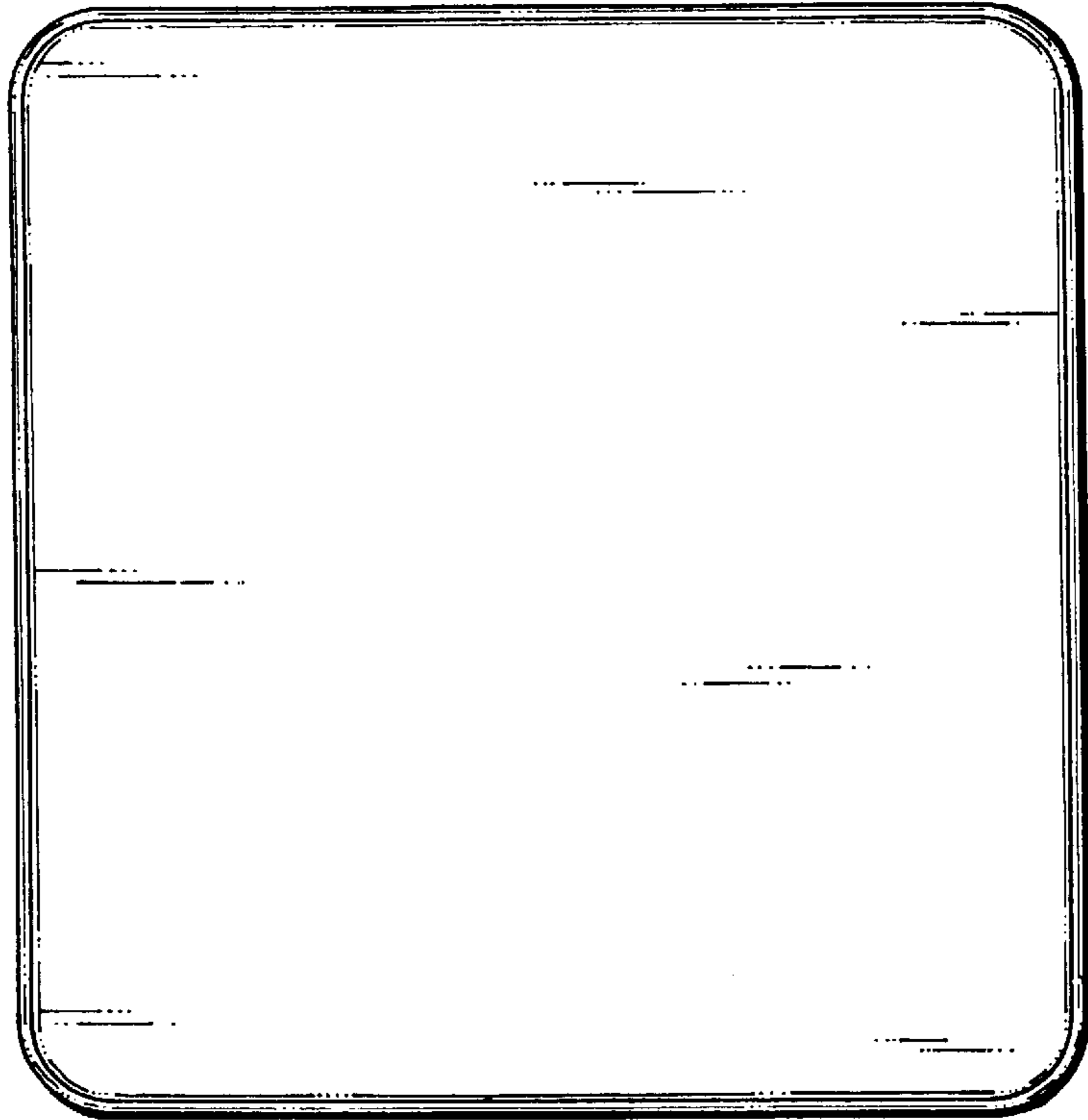


FIG. 7

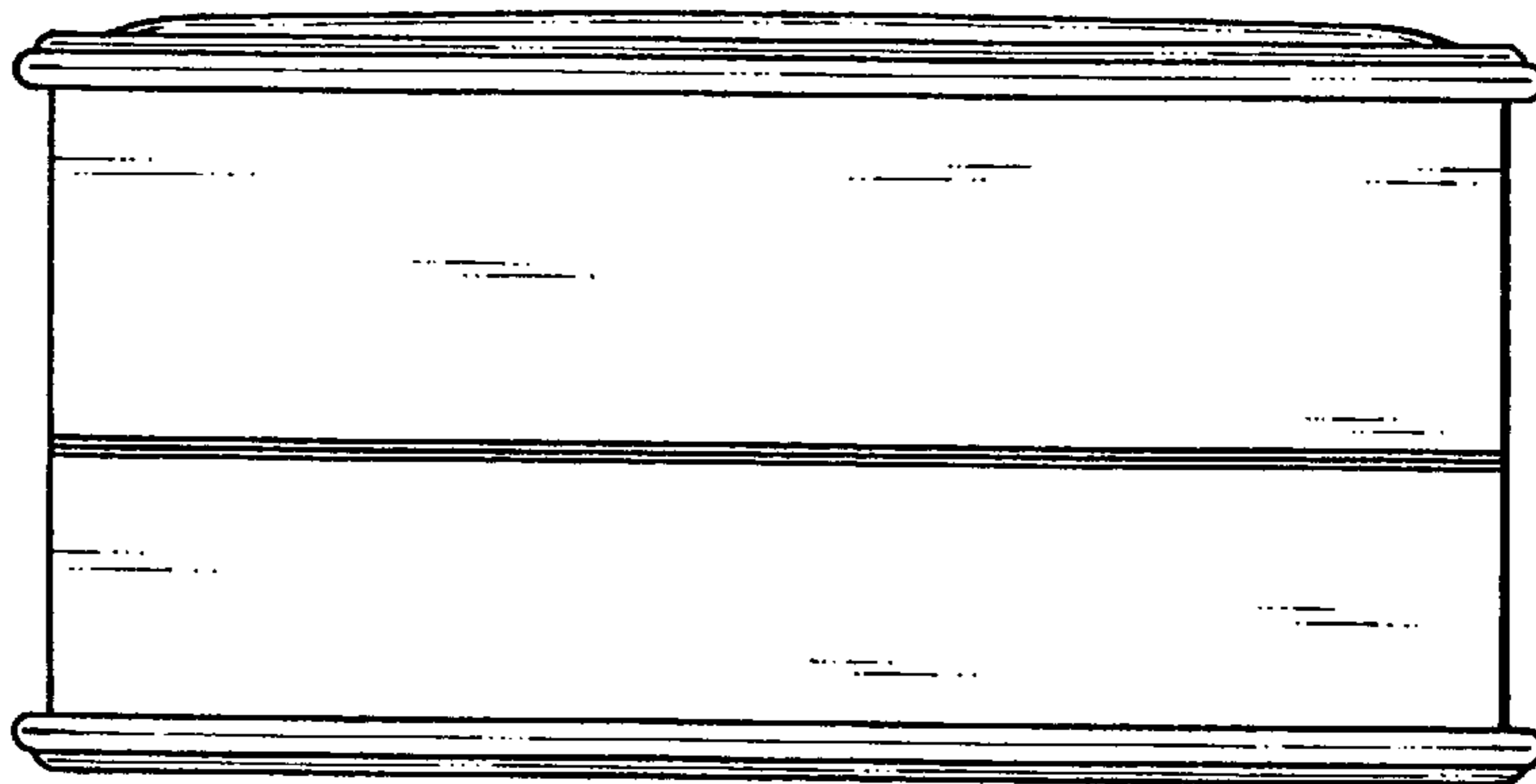


FIG. 8