



US00D417842S

United States Patent [19]

Williams et al.

[11] Patent Number: Des. 417,842

[45] Date of Patent: ** Dec. 21, 1999

[54] **SPOUTED CONTAINER**

[75] Inventors: **Donald L. Williams**, Morris; **Matthew F. Naples**, Schaumburg, both of Ill.

[73] Assignee: **Stone Container Corporation**, Chicago, Ill.

[**] Term: **14 Years**

[21] Appl. No.: **29/077,066**

[22] Filed: **Sep. 25, 1997**

[51] **LOC (6) Cl.** **09-07**

[52] **U.S. Cl.** **D9/416; D9/432**

[58] **Field of Search** D9/416, 417, 432, D9/433, 346; 229/213-219, 915.1, 125.15, 125.42, 123.1, 243; 220/380, 601, 661

[56] **References Cited**

U.S. PATENT DOCUMENTS

D. 235,515	6/1975	Egleston	D9/416
D. 340,642	10/1993	Detzel et al.	D9/417
1,704,987	3/1929	Marsh	.	
2,132,925	10/1938	Bensel	.	
2,300,703	11/1942	Ray	.	
2,861,732	11/1958	Parker	.	
3,003,673	10/1961	Clark et al.	.	

(List continued on next page.)

FOREIGN PATENT DOCUMENTS

671135	9/1963	Canada	.
562966	7/1944	United Kingdom	.

Primary Examiner—Prabhakar Deshmukh
Attorney, Agent, or Firm—Dick and Harris

[57] **CLAIM**

The ornamental design for a spouted container, as described and shown.

DESCRIPTION

FIG. 1 is a top perspective view showing the spouted container of our new ornamental design, with the spout in a closed configuration;

FIG. 2 is a top perspective view of the spouted container, showing the spout in an open configuration;

FIG. 3 is a top plan view of the spouted container, with the spout in the closed configuration;

FIG. 4 is a bottom view thereof;

FIG. 5 is a right side elevation thereof;

FIG. 6 is a left side elevation thereof;

FIG. 7 is a front elevation thereof;

FIG. 8 is a rear elevation thereof;

FIG. 9 is a top plan view of an alternative embodiment of the spouted container, having a handle, showing the ornamental design thereof;

FIG. 10 is a fragmentary elevation of one side of the spouted container of the alternative embodiment of FIG. 9, the opposite side elevation being a substantially mirror image thereof;

FIG. 11 is a fragmentary front elevation thereof, the rear elevation thereof being a substantially mirror image of the front elevation.

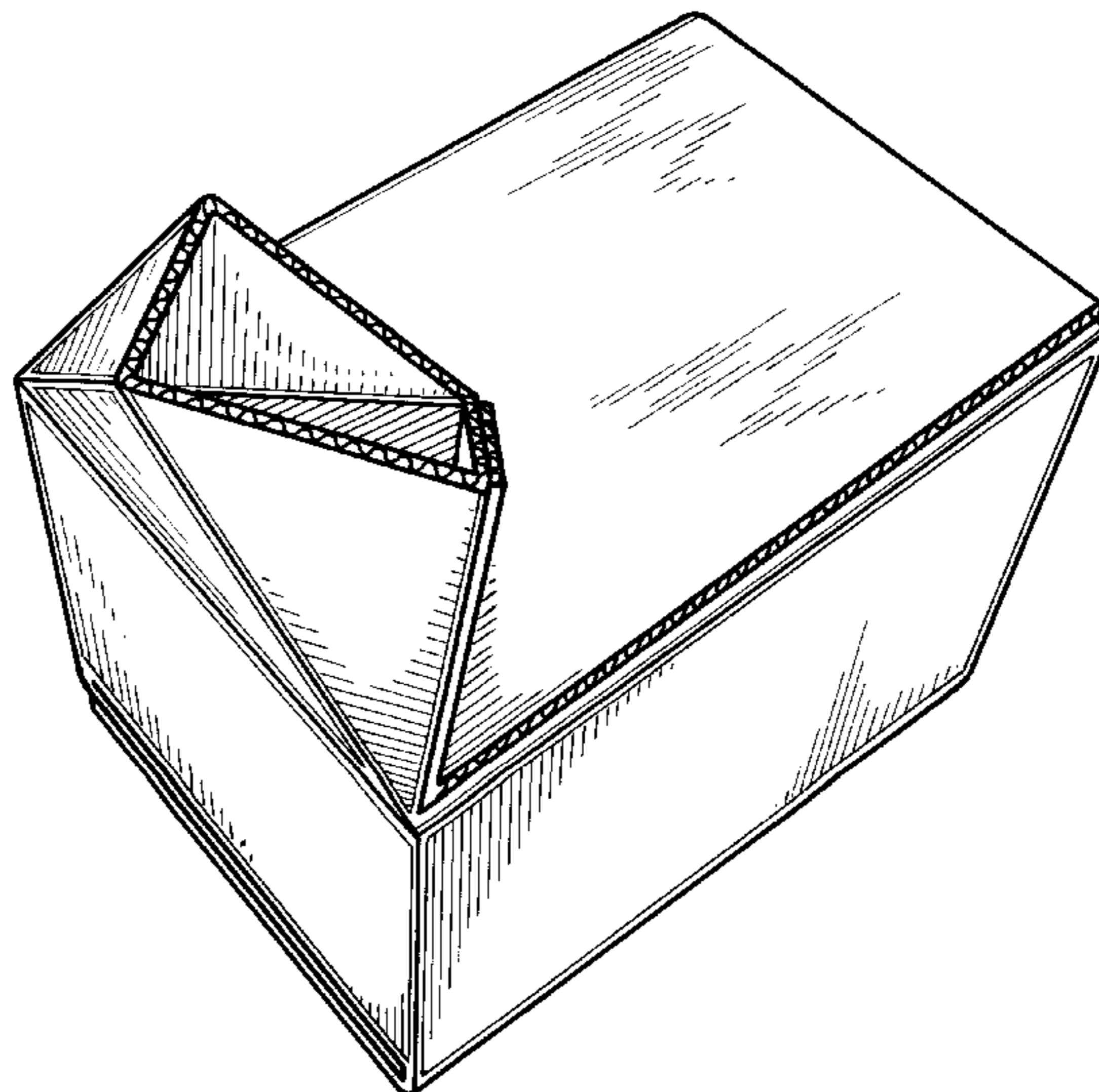
FIG. 12 is a top plan view of the spouted container of the embodiment of FIG. 1, with the spout in an open configuration.

FIG. 13 is an elevation from one side of the spouted container of FIG. 12, with the spout in an open configuration, the elevation from the other side comprising substantially a mirror image thereof.

FIG. 14 is a front elevation of the spouted container of FIG. 12, with the spout in an open configuration;

FIG. 15 is a rear elevation of the spouted container of FIG. 12, with the spout in an open configuration.

1 Claim, 3 Drawing Sheets



U.S. PATENT DOCUMENTS

3,059,826	10/1962	Harms .	4,971,243	11/1990	Lisiecki	229/125.15
3,147,904	9/1964	Larson .	5,069,385	12/1991	Farber	229/125.42 X
3,168,233	2/1965	Ignell	5,106,015	4/1992	Vlasaty et al. .	
3,227,353	1/1966	Bump .	5,118,036	6/1992	Mandersson .	
3,743,164	7/1973	Clark .	5,150,833	9/1992	Hong	229/123.1 X
3,767,107	10/1973	Forbes, Jr. .	5,234,160	8/1993	Lisiecki .	
3,869,078	3/1975	Braun	5,246,162	9/1993	Heuberger et al. .	
3,892,347	7/1975	Egleston .	5,275,332	1/1994	Heuberger et al. .	
4,166,566	9/1979	Hamilton .	5,322,211	6/1994	Petersen .	
4,657,143	4/1987	Forbes, Jr. .	5,398,871	3/1995	Vescio .	
			5,820,017	10/1998	Eliovson	229/217

Fig 1

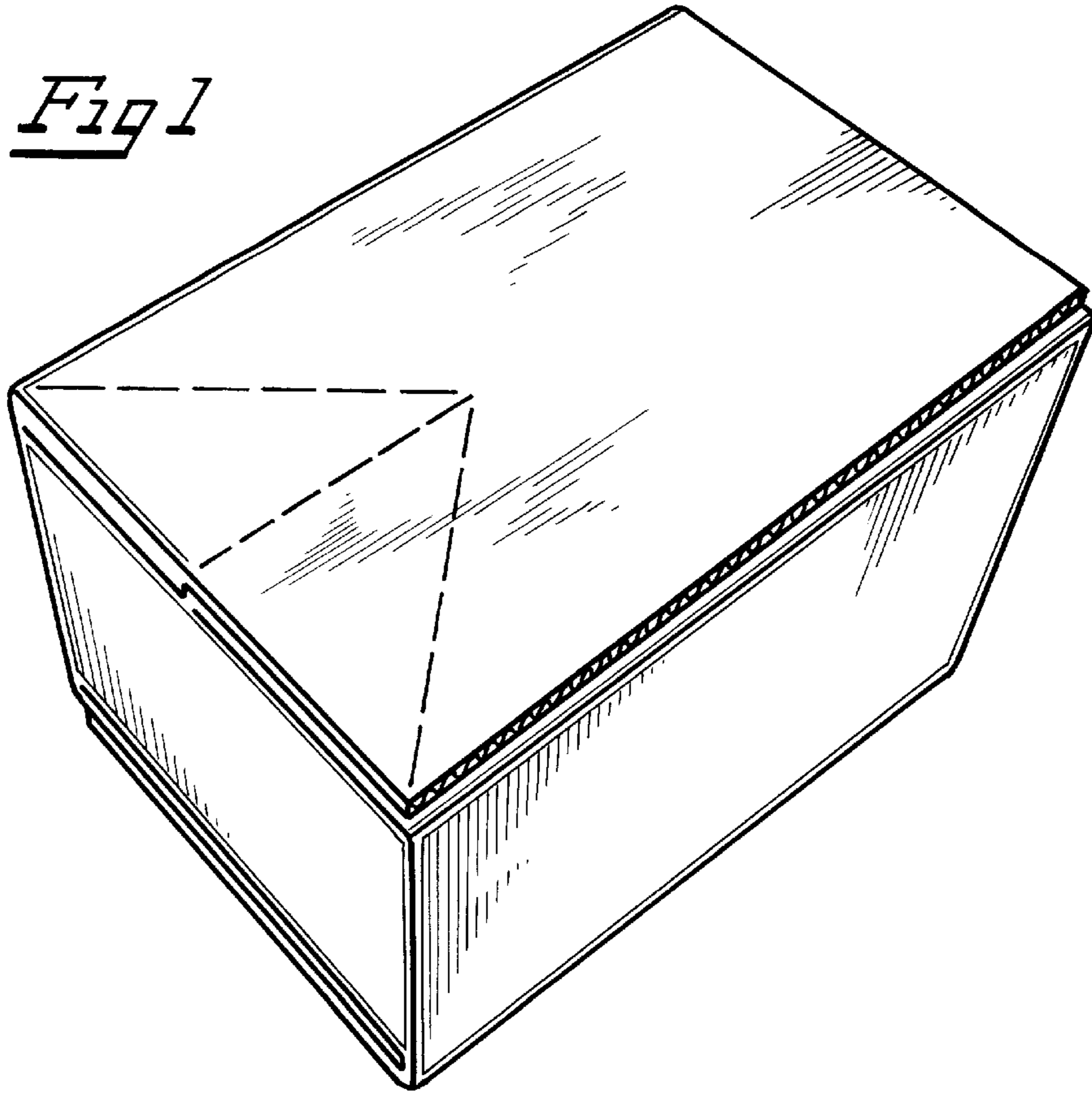


Fig 2

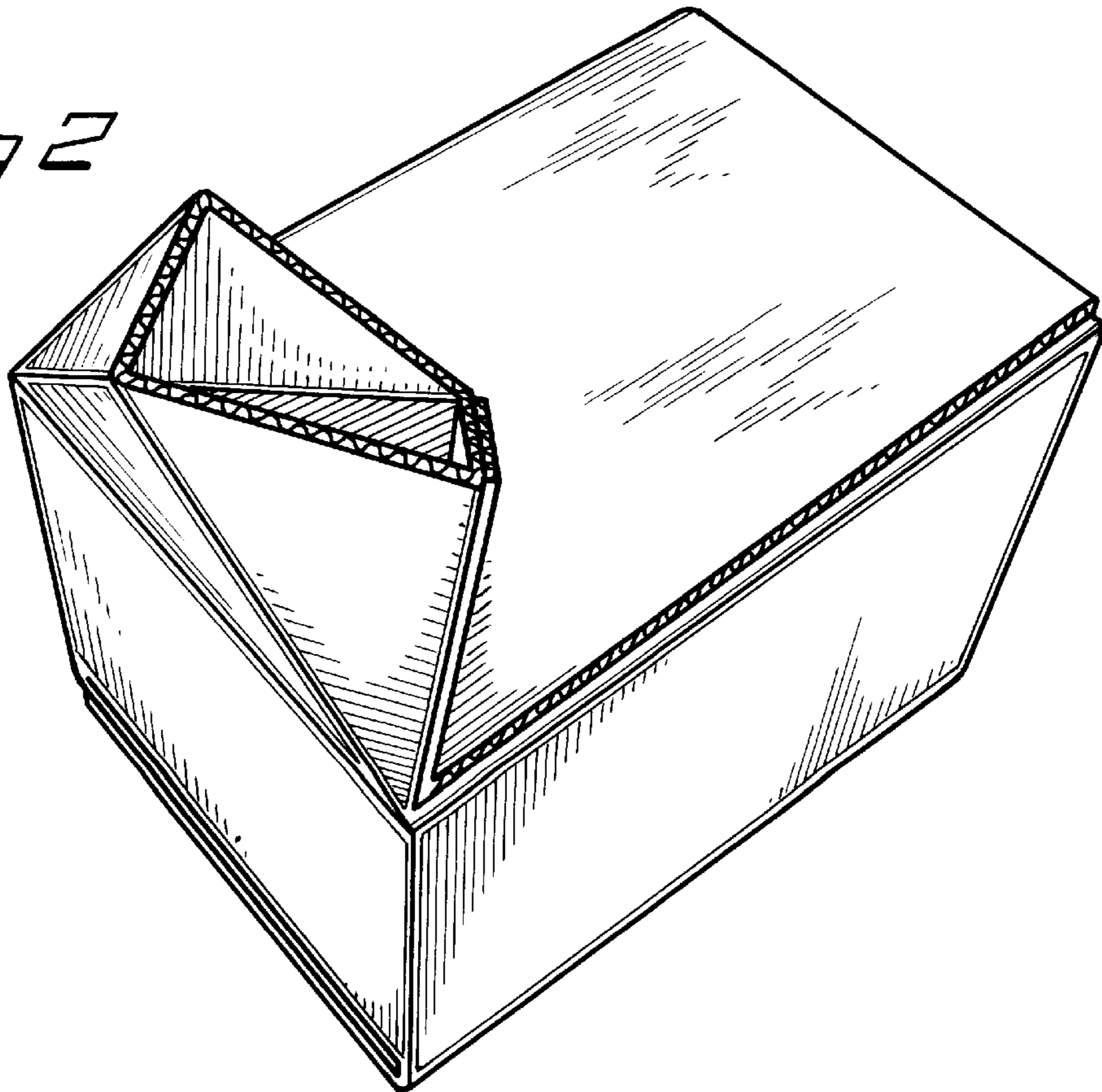


Fig 3

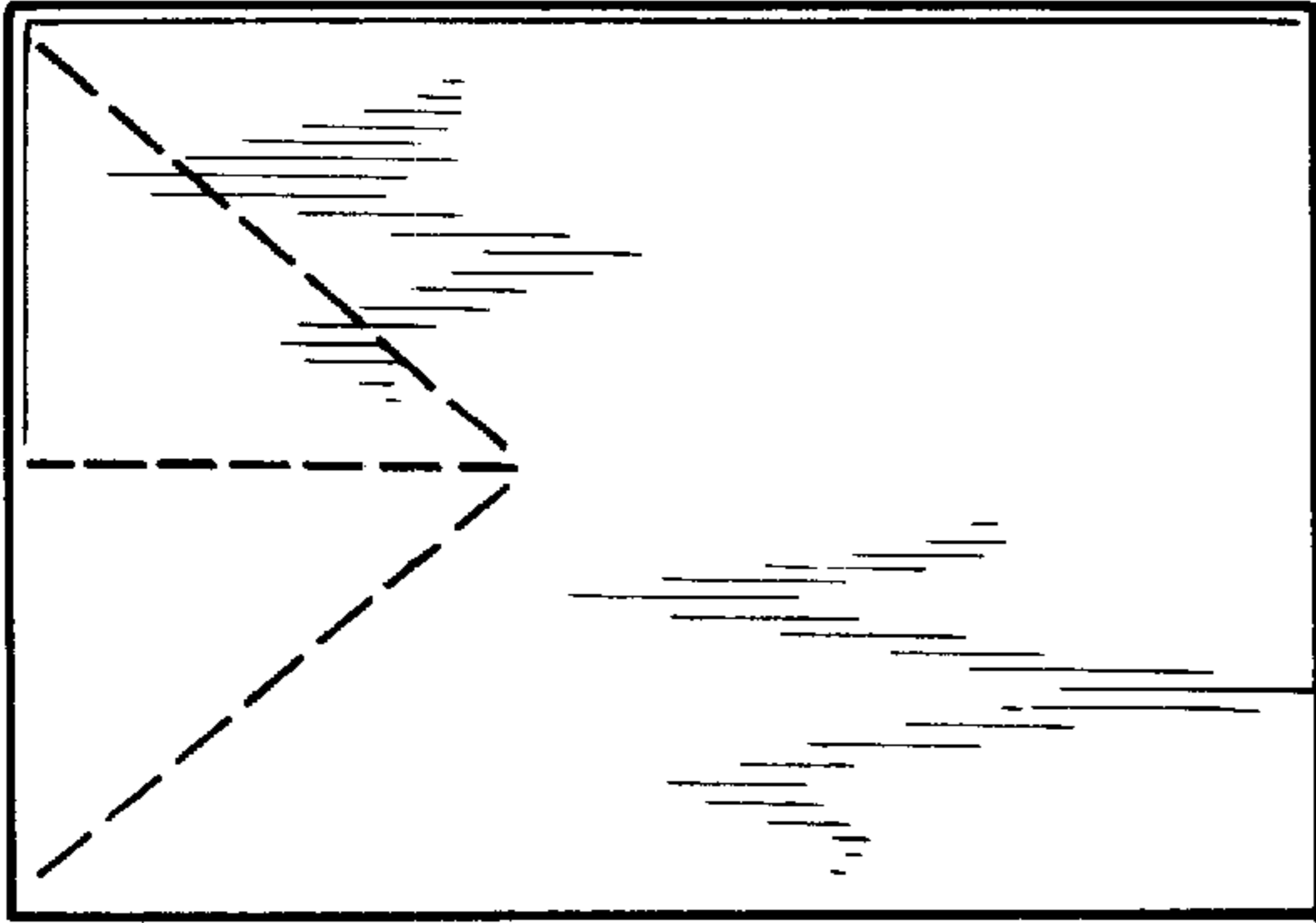


Fig 4

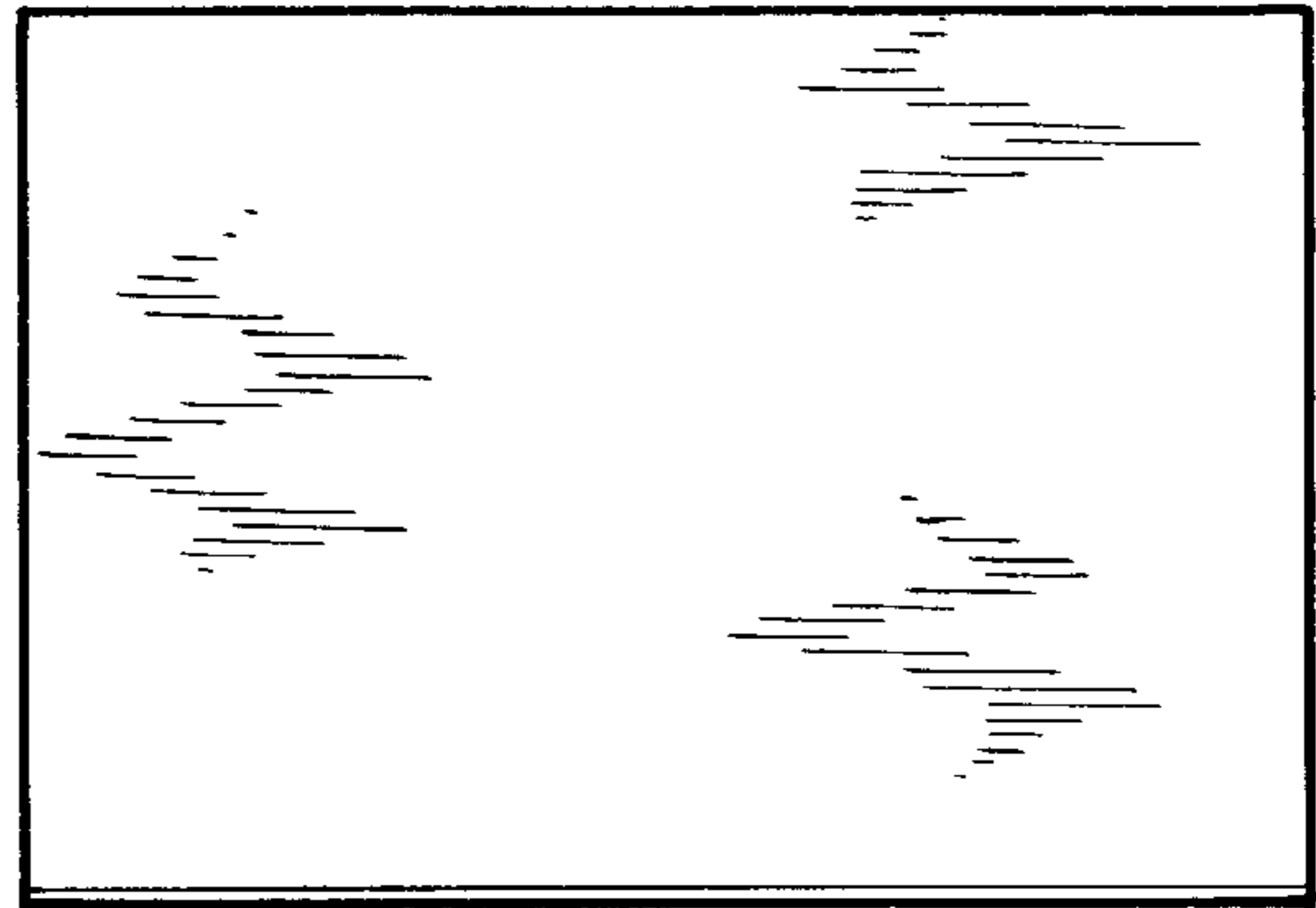


Fig 5



Fig 6



Fig 7

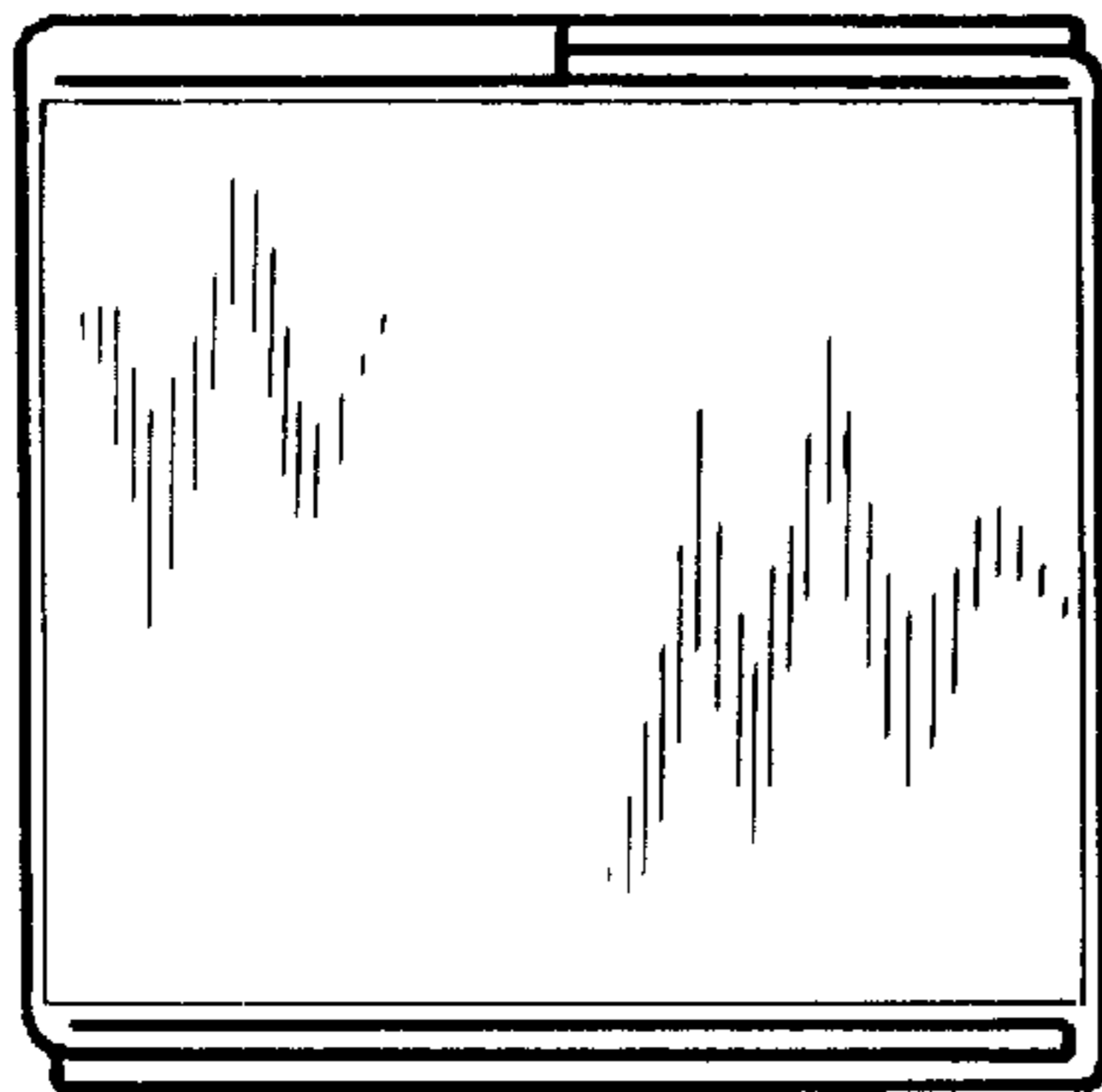


Fig 8

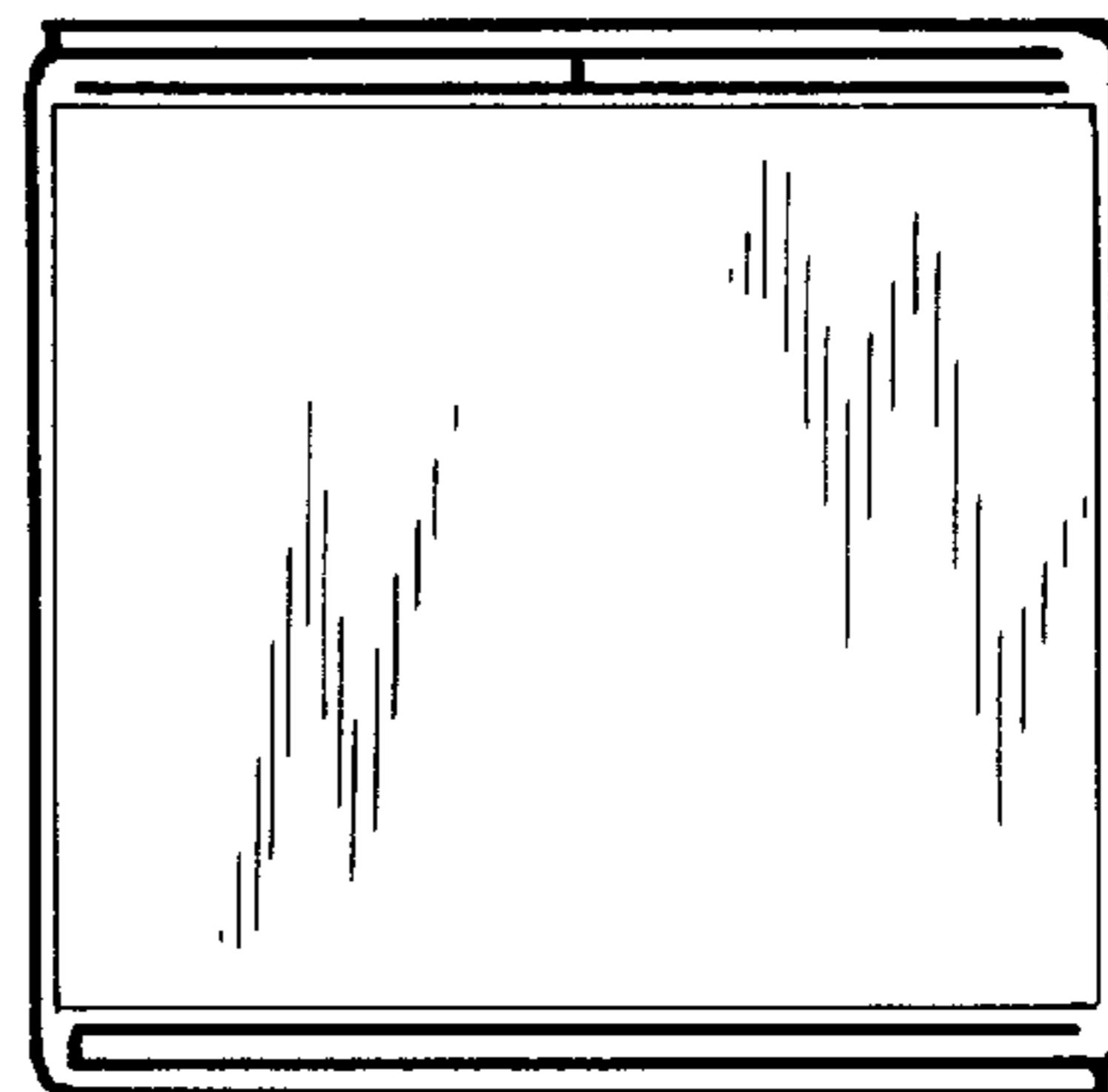


Fig 9

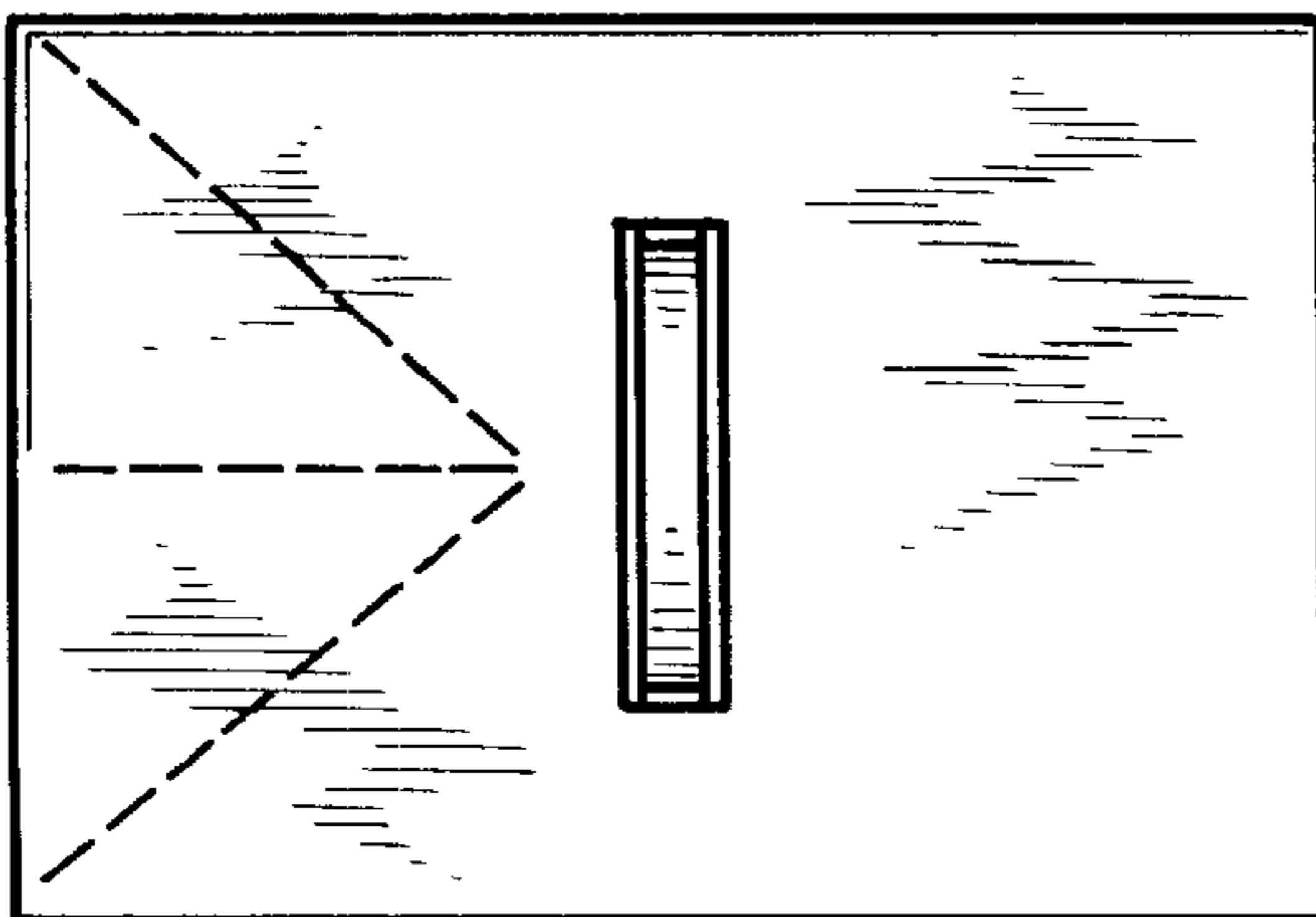


Fig 10

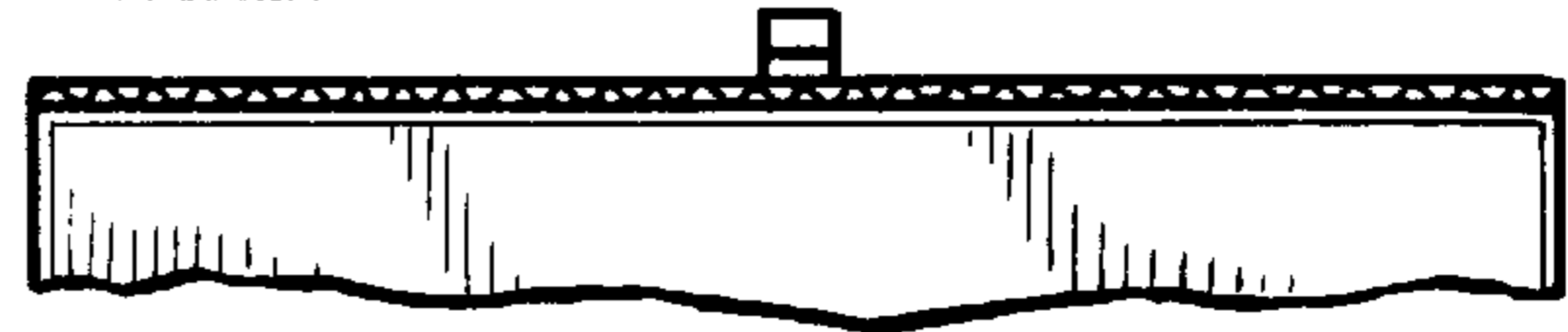


Fig 11

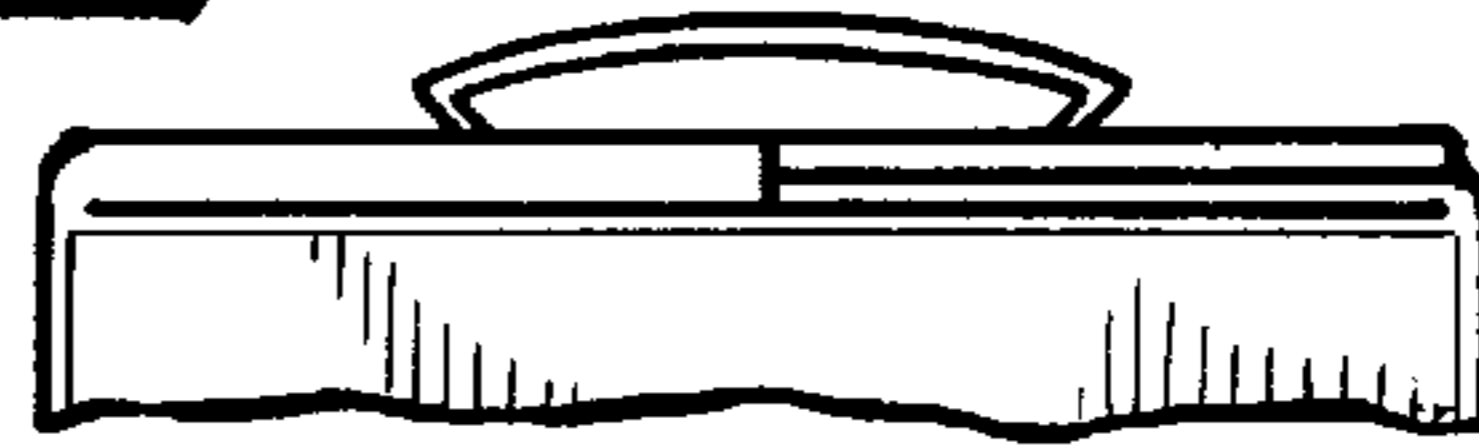


Fig 12

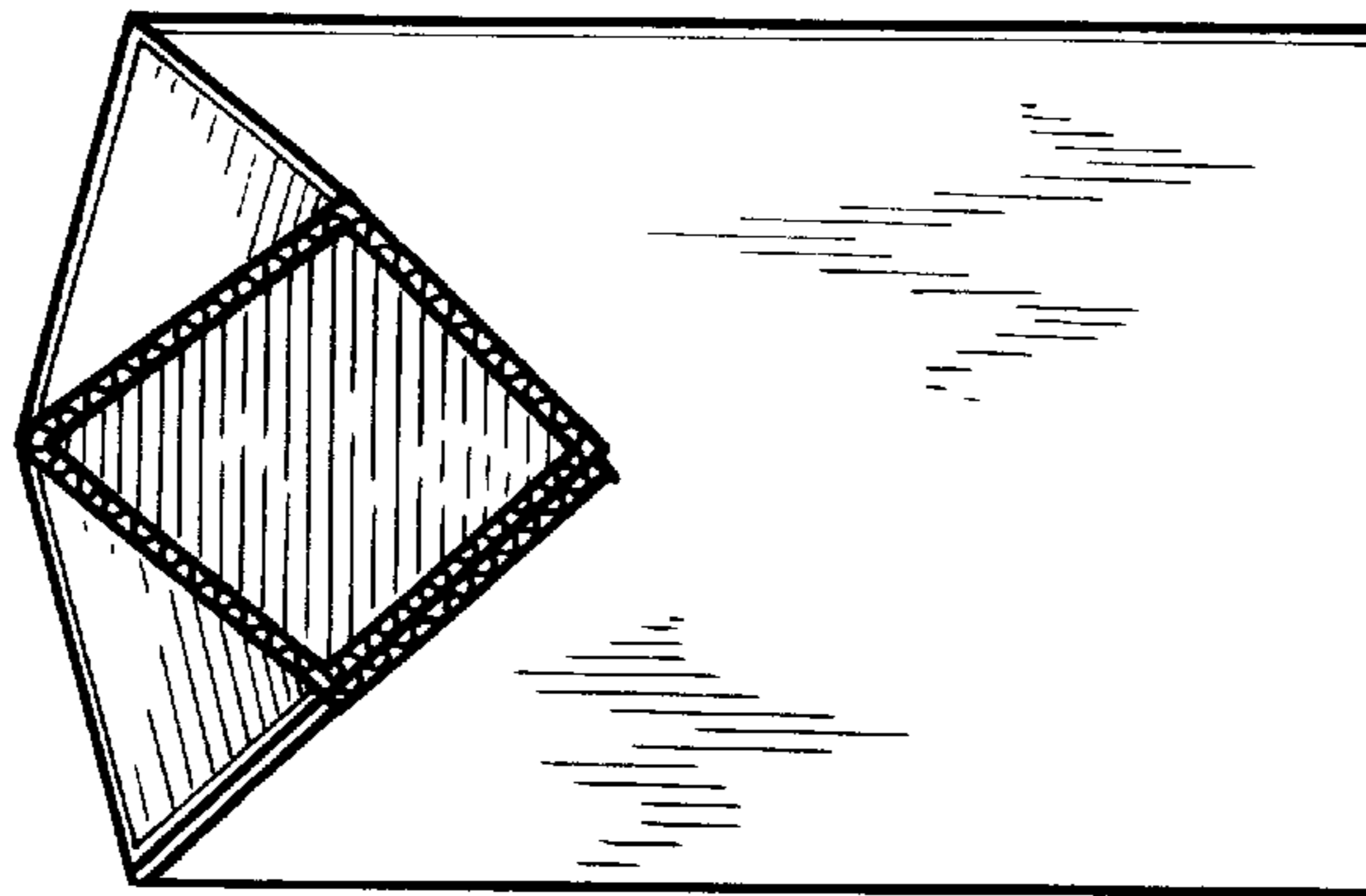


Fig 13

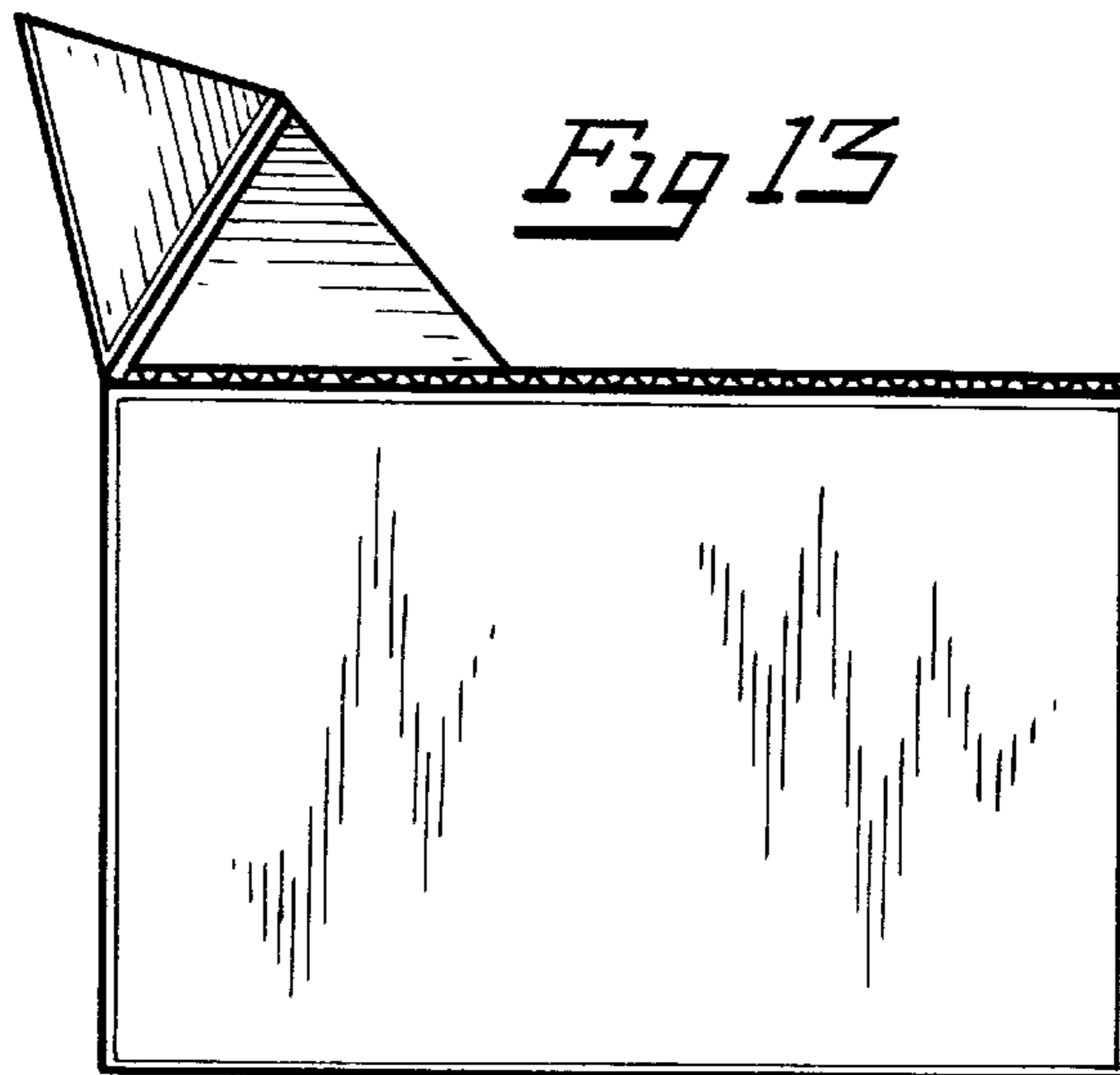


Fig 14

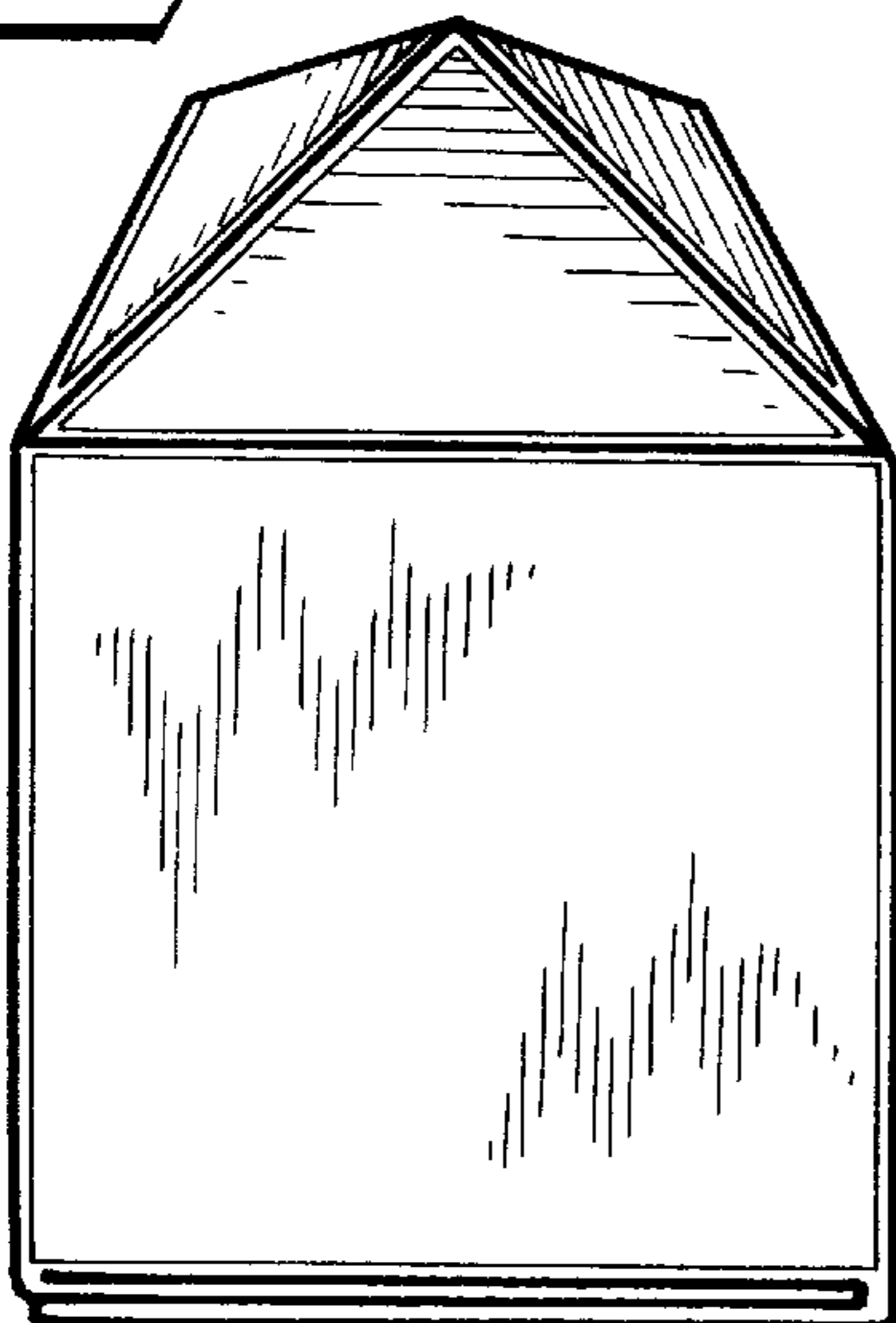


Fig 15

