



US00D417840S

United States Patent [19] Alpert

[11] Patent Number: Des. 417,840

[45] Date of Patent: ** Dec. 21, 1999

[54] CONTAINER FOR CONDENSABLE DENTAL COMPOSITES

5,620,087 4/1997 Martin et al. 206/459.1
5,762,192 6/1998 Jacobs et al. 206/63.5
5,894,930 4/1999 Faughey et al. 206/532

[75] Inventor: Bruce Alpert, Madison, Conn.

Primary Examiner—Ted Shooman
Assistant Examiner—Carol Rademaker
Attorney, Agent, or Firm—Cantor Colburn LLP

[73] Assignee: Jeneric/Pentron Incorporated, Wallingford, Conn.

[**] Term: 14 Years

[57] CLAIM

[21] Appl. No.: 29/079,749

The ornamental design for a container for condensable dental composites, as shown and described.

[22] Filed: Nov. 26, 1997

DESCRIPTION

[51] LOC (6) Cl. 09-03

[52] U.S. Cl. D9/341

[58] Field of Search D7/553.2, 553.5;
D9/341, 345-348, 414, 415, 418, 424, 337-339;
D24/101; 206/461, 528, 531, 534.1, 820,
63.5, 737, 532, 459.1; 229/112, 125.04,
125.08, 149

FIG. 1 shows a perspective view of container showing a first embodiment of our new design;
FIG. 2 shows a top plan view thereof;
FIG. 3 shows a rear view thereof;
FIG. 4 shows a bottom plan view thereof;
FIG. 5 shows a left side view thereof, the right side being a mirror image;
FIG. 6 shows a front view thereof in inverted condition;
FIG. 7 shows a perspective view of container showing a second embodiment of our new design;
FIG. 8 shows a top plan view thereof;
FIG. 9 shows a rear view thereof;
FIG. 10 shows a bottom plan view thereof;
FIG. 11 shows a left side view thereof, the right side being a mirror image; and,
FIG. 12 shows a front view thereof in inverted condition.
The second embodiment for the container for condensable dental composites has been shown broken away in the middle to indicate indeterminate length.

[56] References Cited

U.S. PATENT DOCUMENTS

D. 279,865	7/1985	McKee	D9/347
D. 342,025	12/1993	Abraben et al.	206/737
D. 395,233	6/1998	Bryan, III et al.	D9/347
3,211,503	10/1965	Barnes	229/125.08
3,722,833	3/1973	Inoue et al.	206/63.5
3,921,805	11/1975	Compere	229/112
5,240,415	8/1993	Haynie	206/63.5
5,328,363	7/1994	Chester et al.	206/63.5
5,350,059	9/1994	Chester et al.	206/63.5
5,538,129	7/1996	Chester et al.	206/63.5

1 Claim, 2 Drawing Sheets

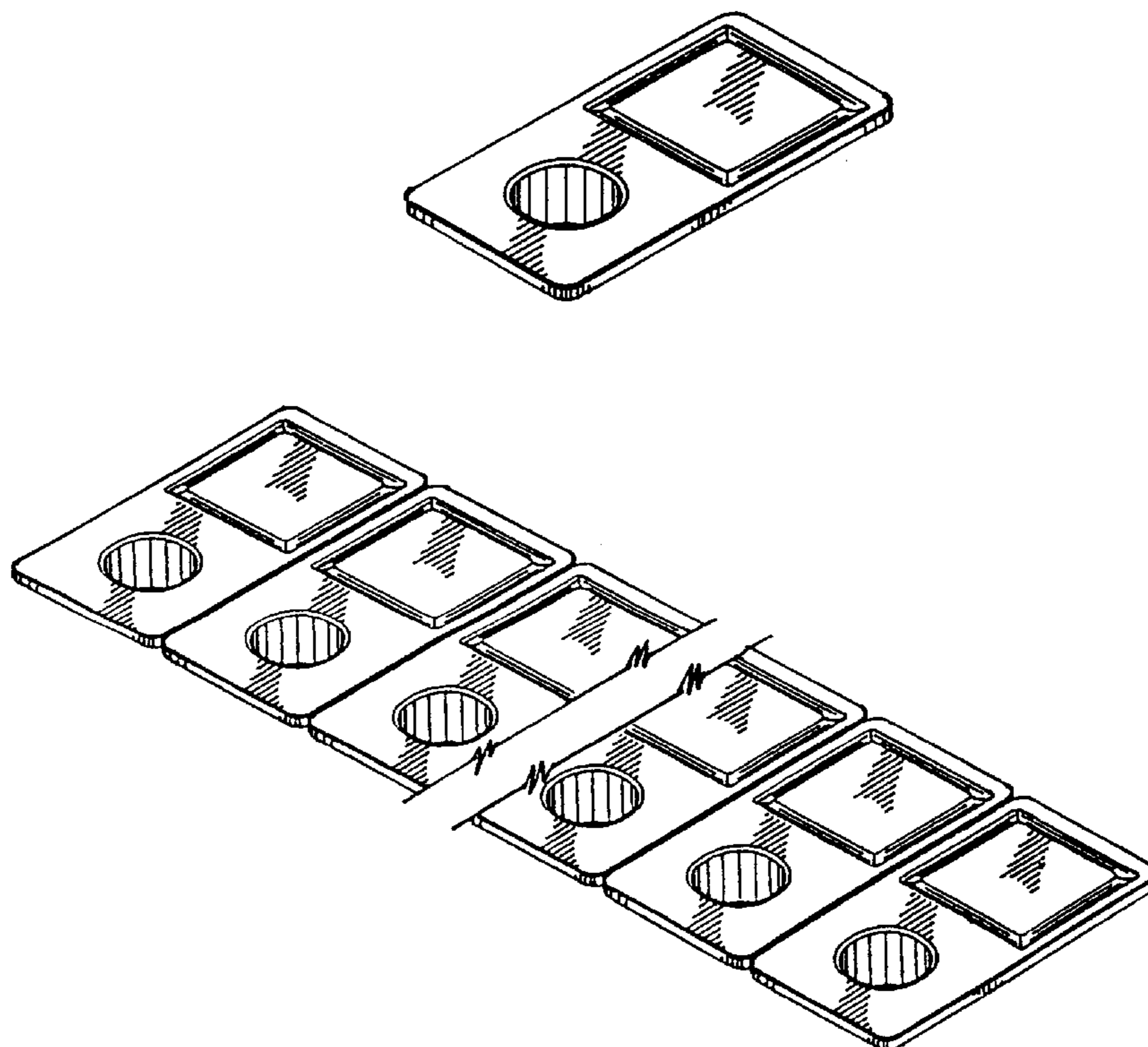


FIG. 1

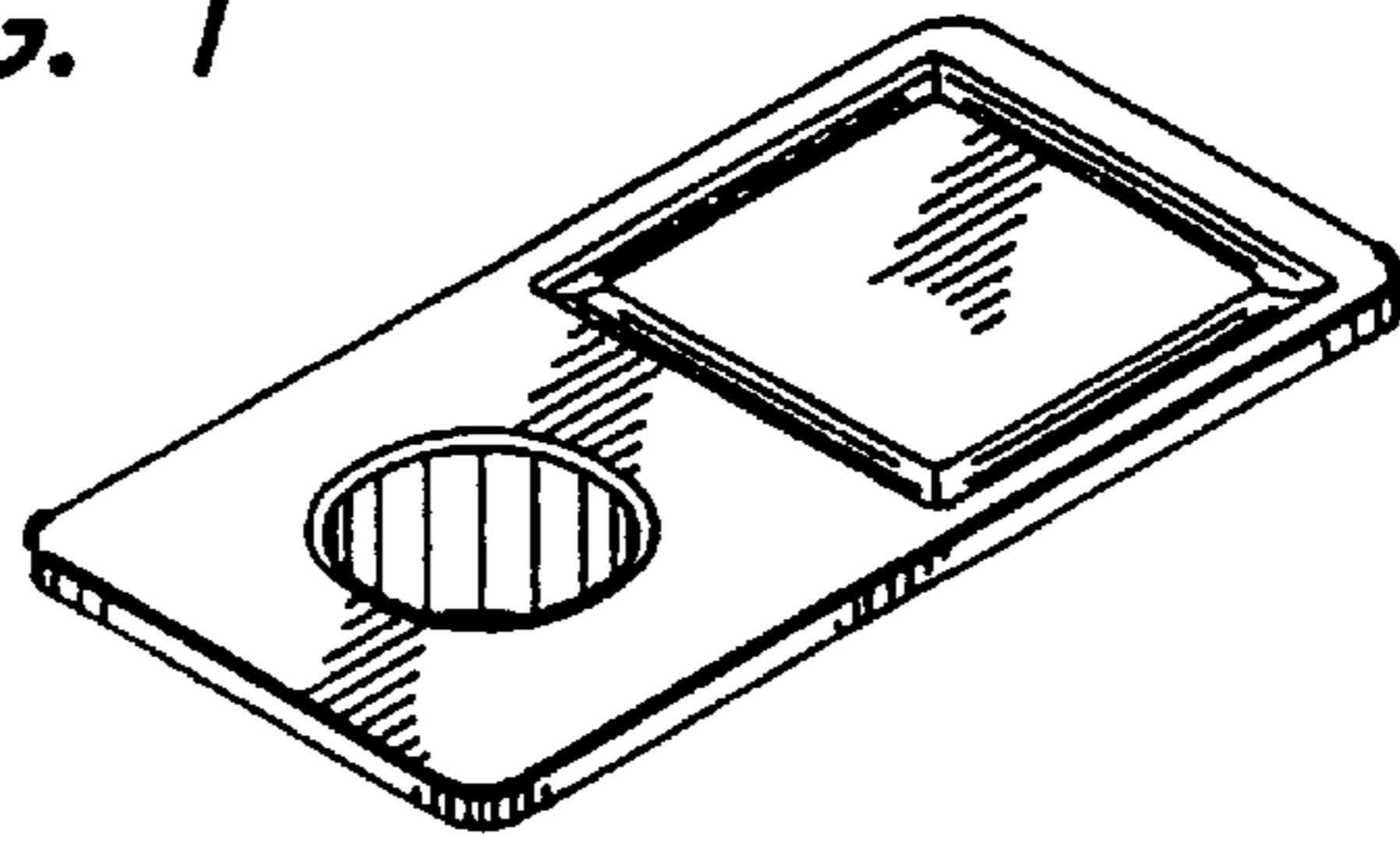


FIG. 2

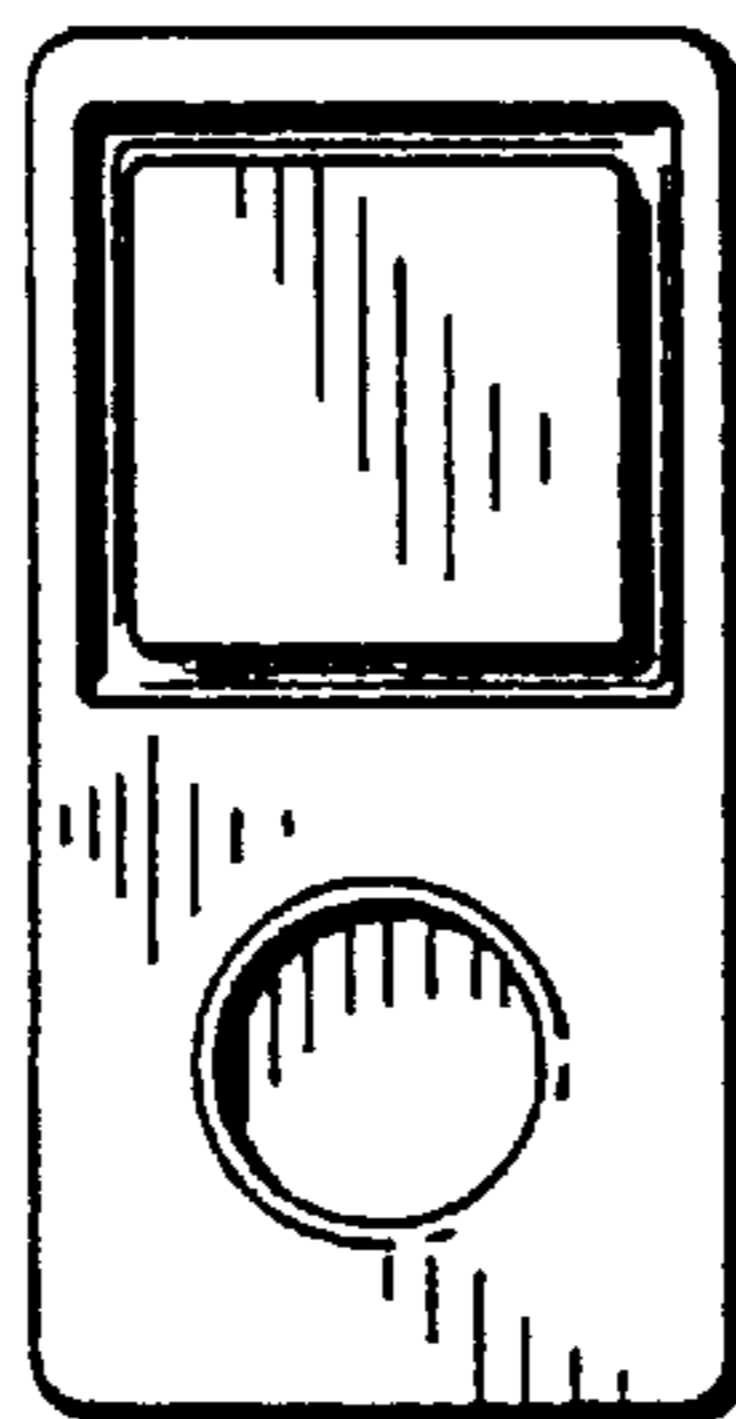


FIG. 3



FIG. 4

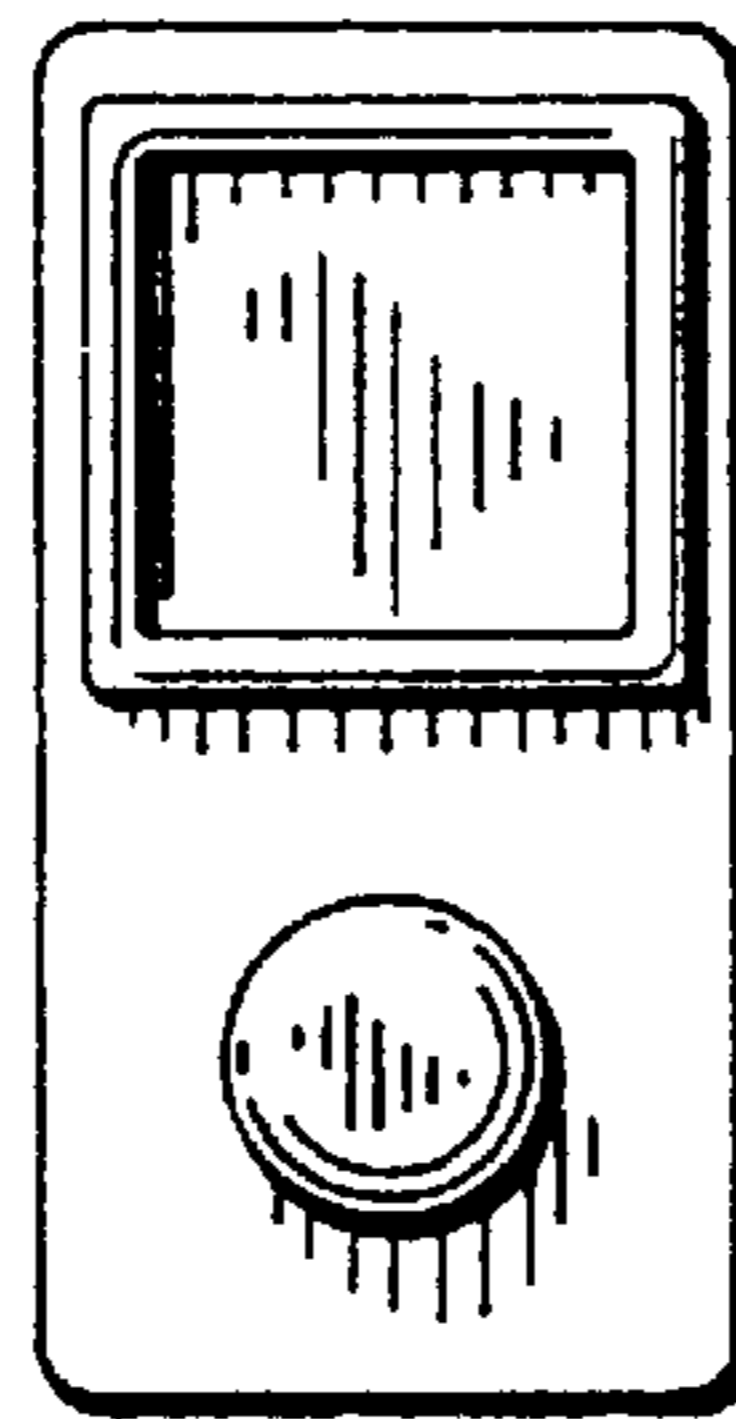


FIG. 5



FIG. 6



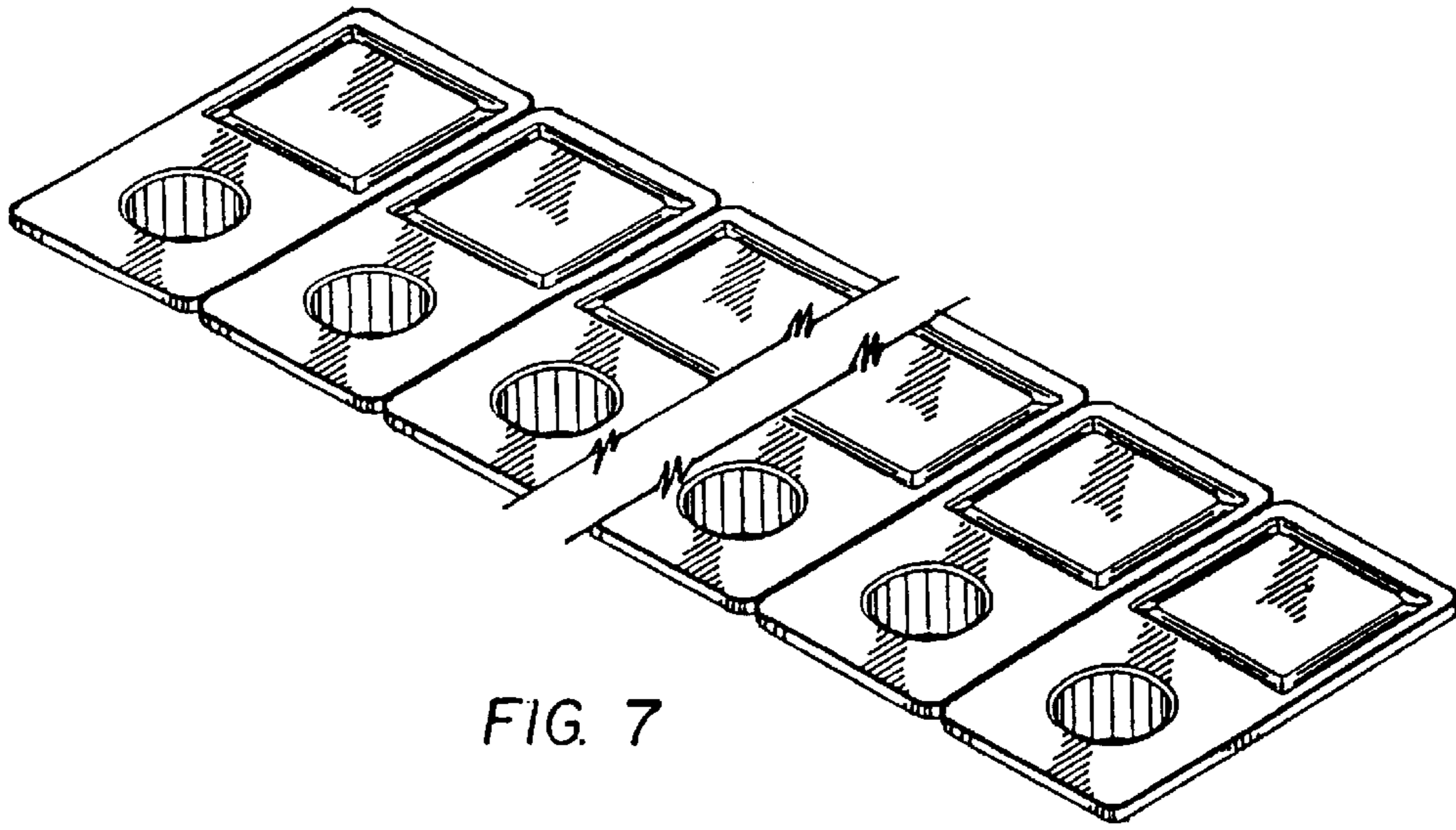


FIG. 7

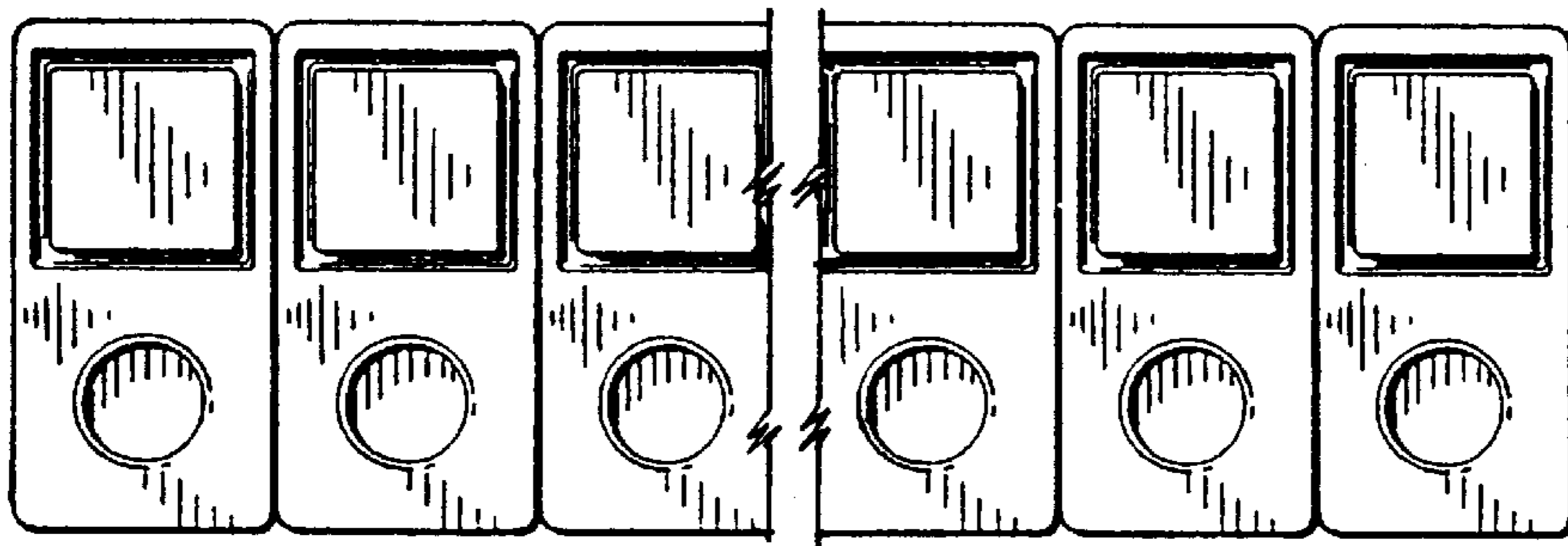


FIG. 8

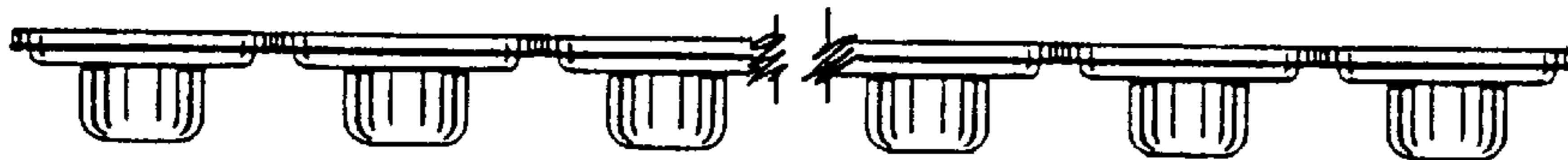


FIG. 9

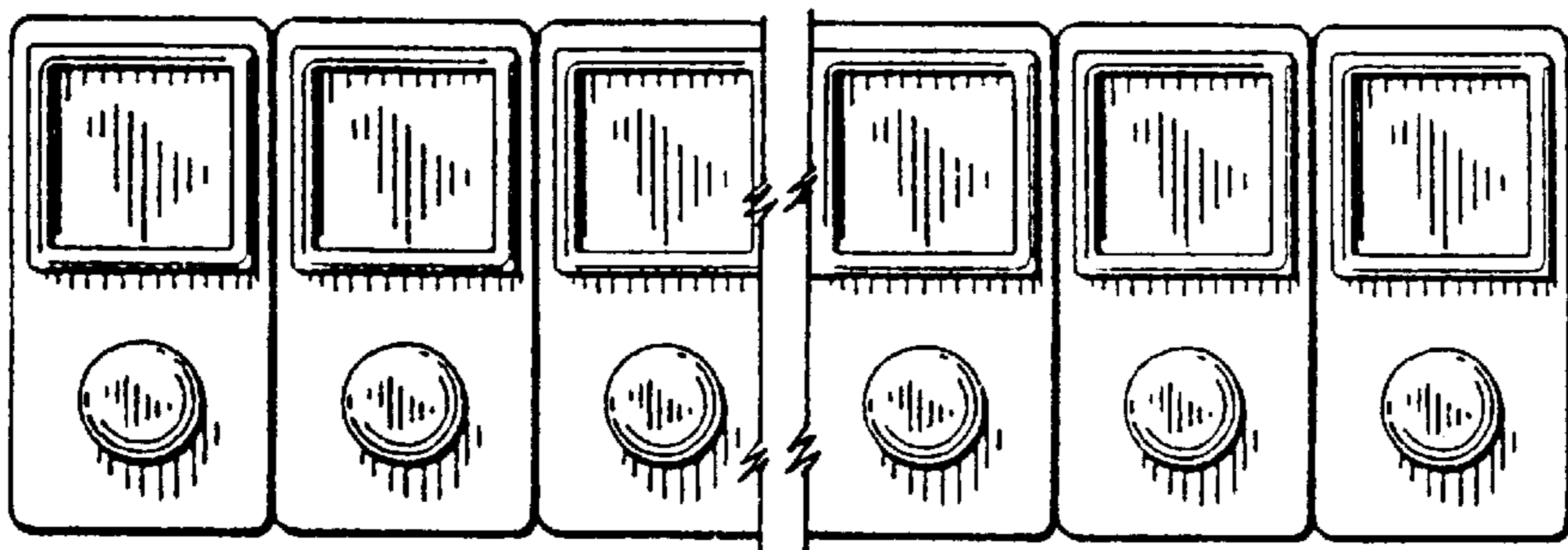


FIG. 10

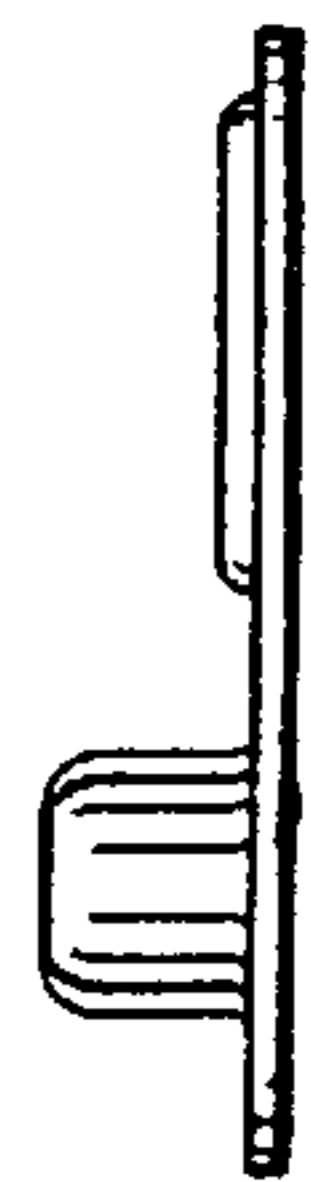


FIG. 11



FIG. 12