



US00D417835S

United States Patent [19]
Williams

[11] **Patent Number: Des. 417,835**
[45] **Date of Patent: ** Dec. 21, 1999**

[54] **COVER PLATE FOR A WIRE EMBEDDED COLLAR**

5,535,106 7/1996 Tangen .

OTHER PUBLICATIONS

[75] Inventor: **Matthew R. Williams**, Fort Wayne, Ind.

Grammens Metal Products Catalog #64, p. 8 Item No. 16803, Apr. 19, 1941.

[73] Assignee: **Innotek Pet Products, Inc.**, Garrett, Ind.

Grammes Metal Products Catalog #64, p. 45 Item No. 31940, Apr. 1941.

[**] Term: **14 Years**

Primary Examiner—Susan J. Lucas
Assistant Examiner—Cynthia E Ramiz
Attorney, Agent, or Firm—Barnes & Thornburg

[21] Appl. No.: **29/065,563**

[22] Filed: **Jan. 29, 1997**

[57] **CLAIM**

[51] **LOC (6) Cl.** **08-05**

[52] **U.S. Cl.** **D8/356; D30/152**

[58] **Field of Search** D8/354, 356, 349; 248/300, 200, 27.1, 65, 68.1; 340/573; 119/765, 908, 859; D30/152, 155

The ornamental design for a cover plate for a wire embedded collar, as shown and described.

DESCRIPTION

[56] **References Cited**

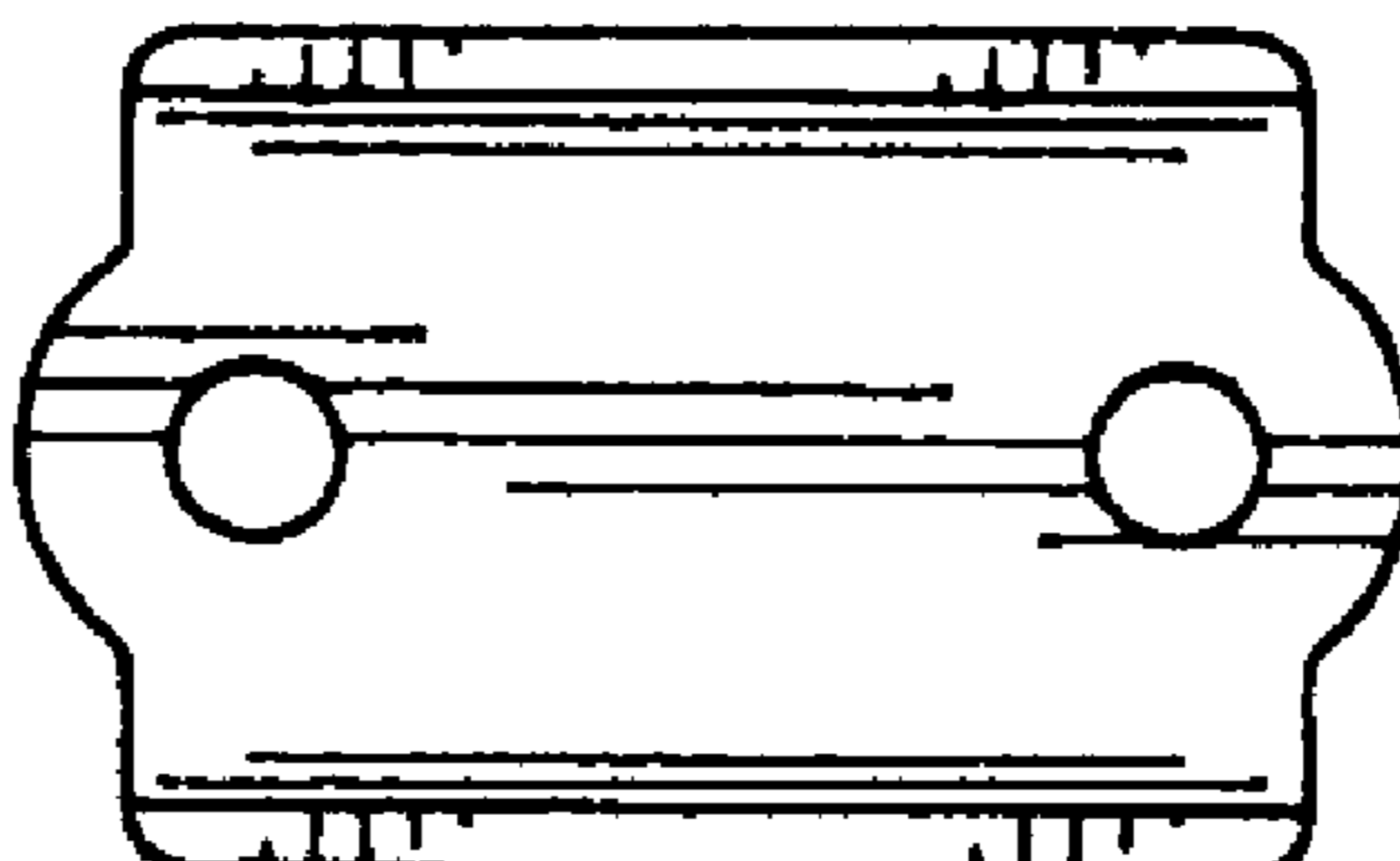
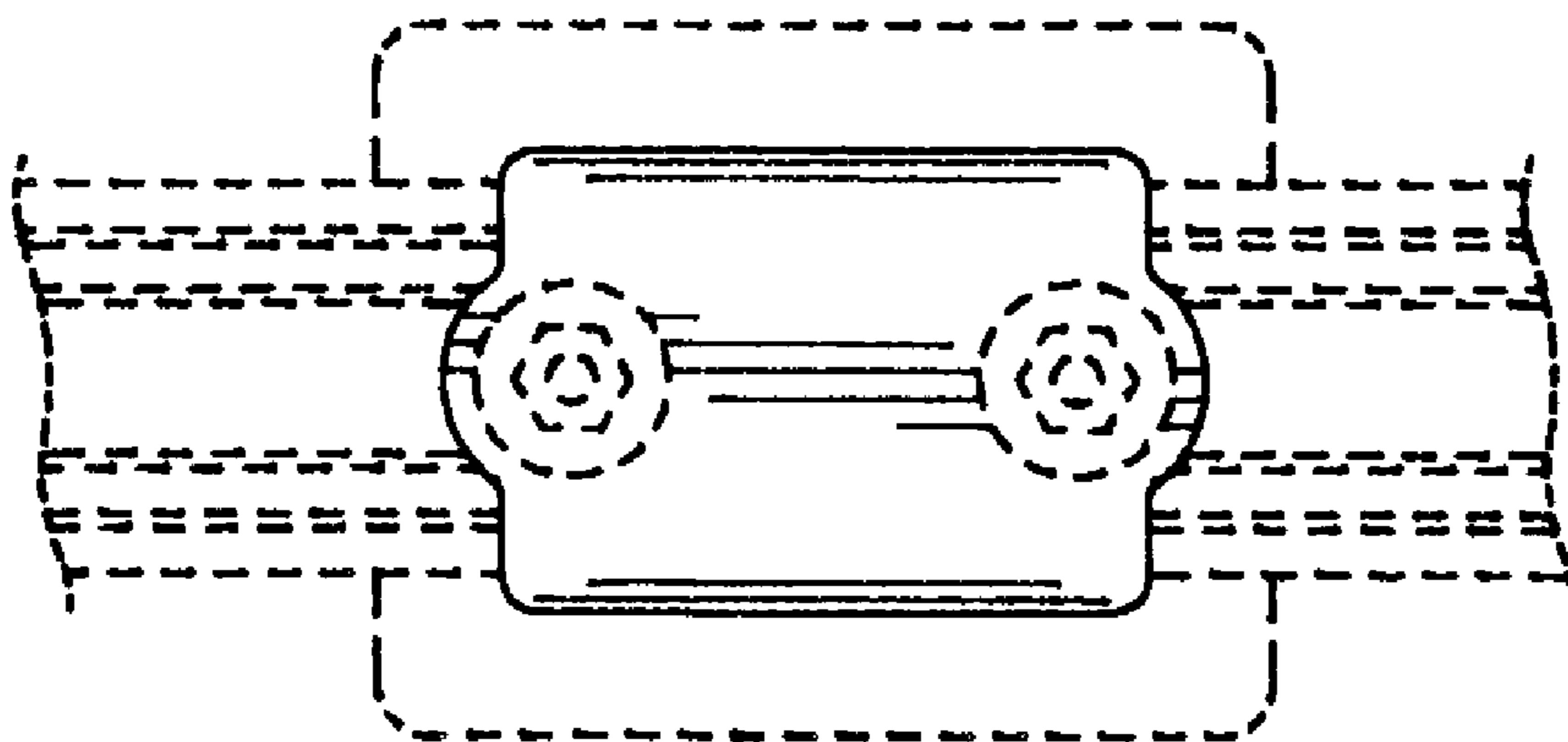
U.S. PATENT DOCUMENTS

D. 234,337	2/1975	Block	D8/354 X
D. 313,343	1/1991	Sachs	D8/383
2,384,158	9/1945	Carpenter et al.	248/65
2,396,925	3/1946	Morehouse	248/65
2,656,999	10/1953	Ullberg, Jr.	
3,363,290	1/1968	Camensch	248/65
3,687,112	8/1972	Henderson	
4,025,019	5/1977	Jacobsen et al.	248/300 X
4,539,937	9/1985	Workman	
5,161,485	11/1992	McDade	340/573 X
5,207,178	5/1993	McDade et al.	

FIG. 1 is a front view of the cover plate according to my invention;
FIG. 2 is a right side view of the cover plate of FIG. 1;
FIG. 3 is a left side view of the cover plate of FIG. 1;
FIG. 4 is a top view of the cover plate of FIG. 1;
FIG. 5 is a bottom view of the cover plate of FIG. 1; and,
FIG. 6 is a back view of the cover plate of FIG. 1.

The broken lines showing a housing, a length of wire embedded collar material secured between the housing and the cover plate, and mechanical fasteners for securing the cover plate to the housing with the length of wire embedded collar therebetween in FIGS. 1 through 4 and 6 form no part of the claimed design.

1 Claim, 1 Drawing Sheet



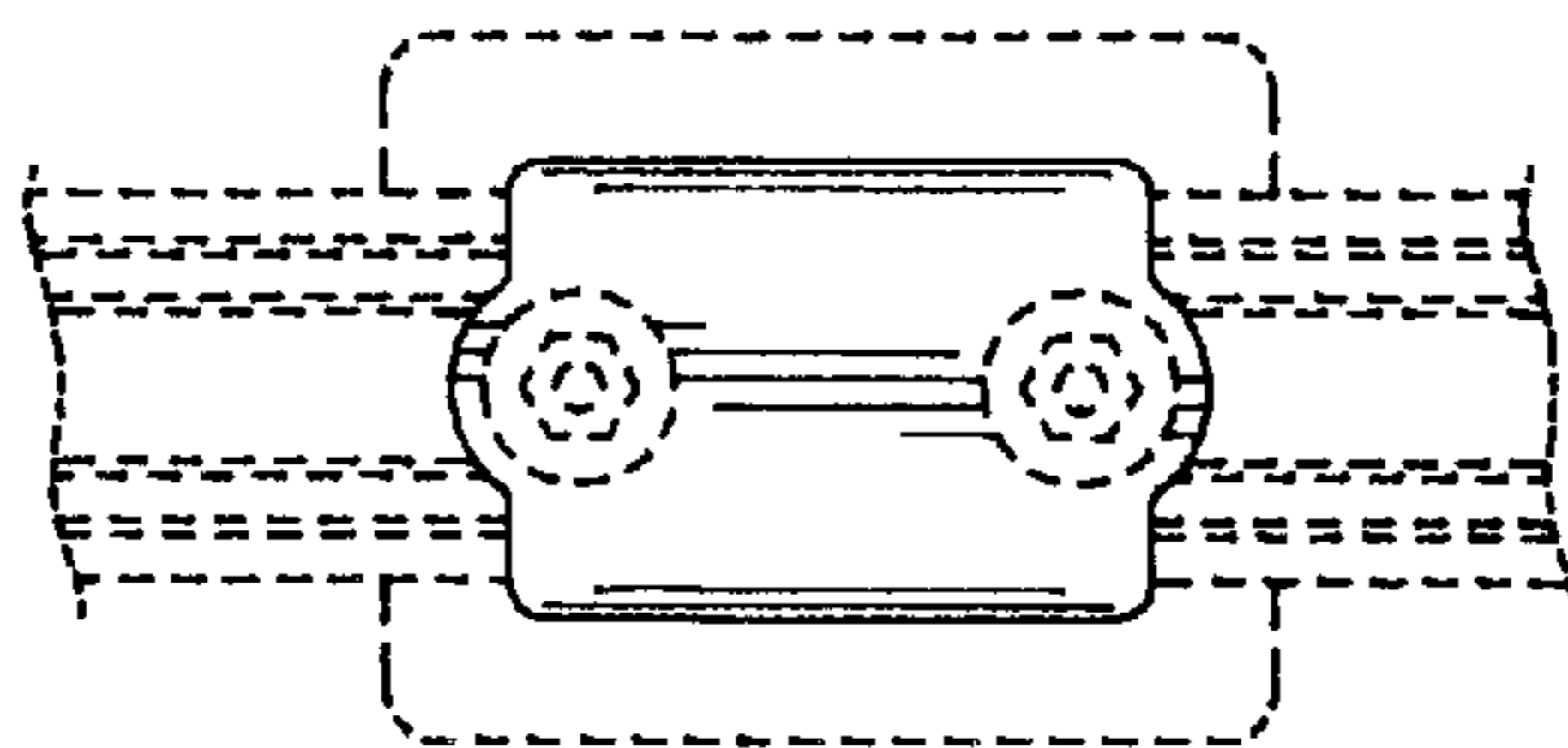


FIG. 4

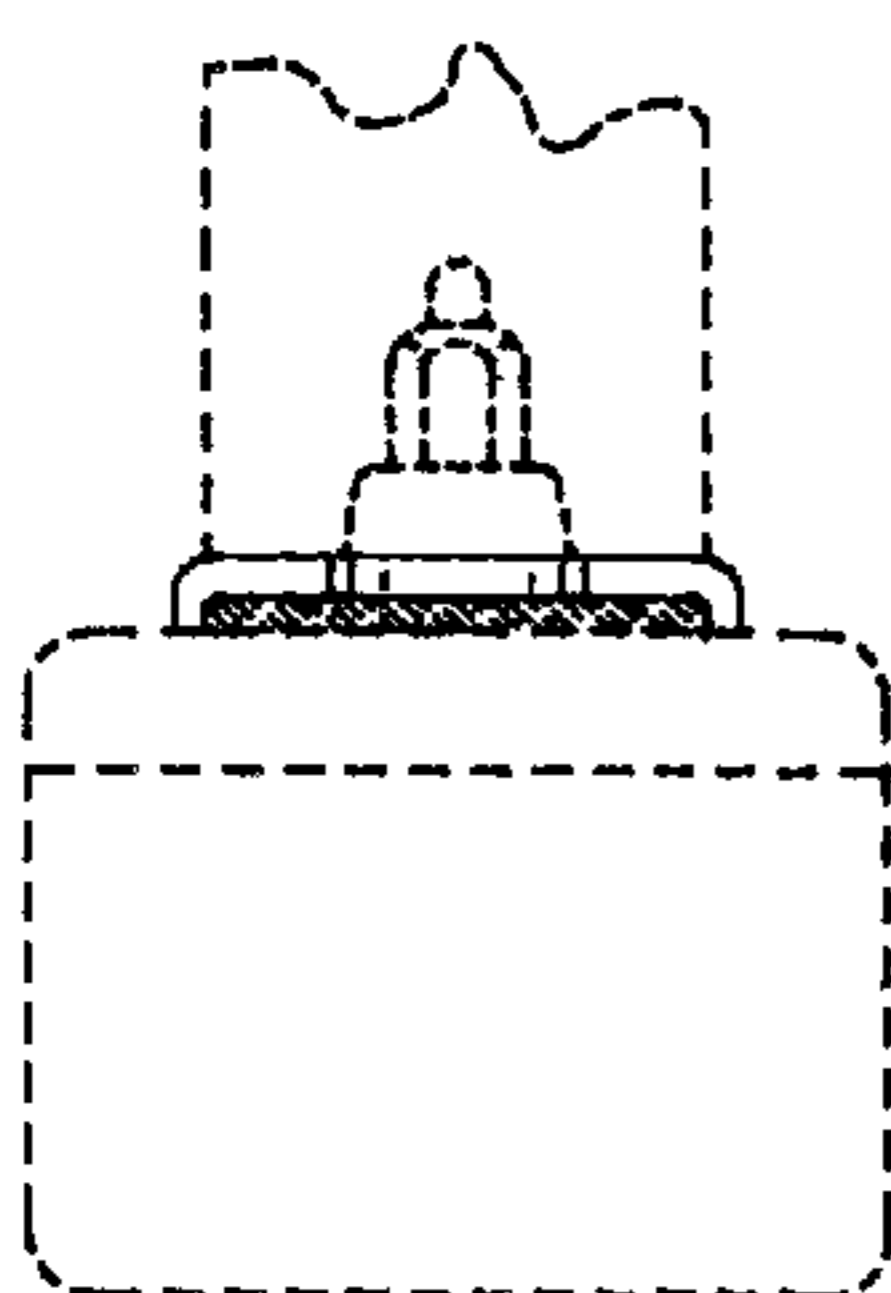


FIG. 3

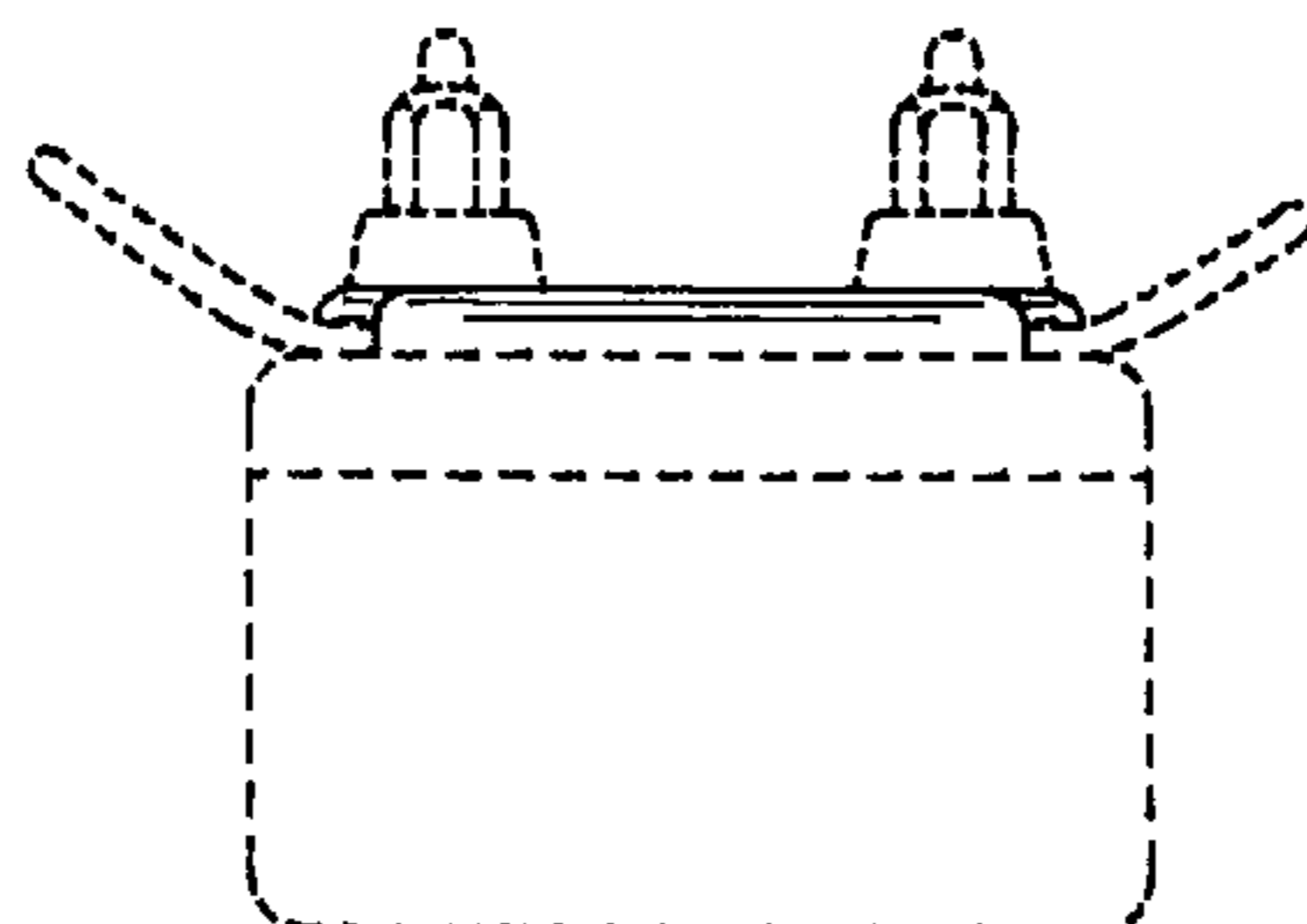


FIG. 1

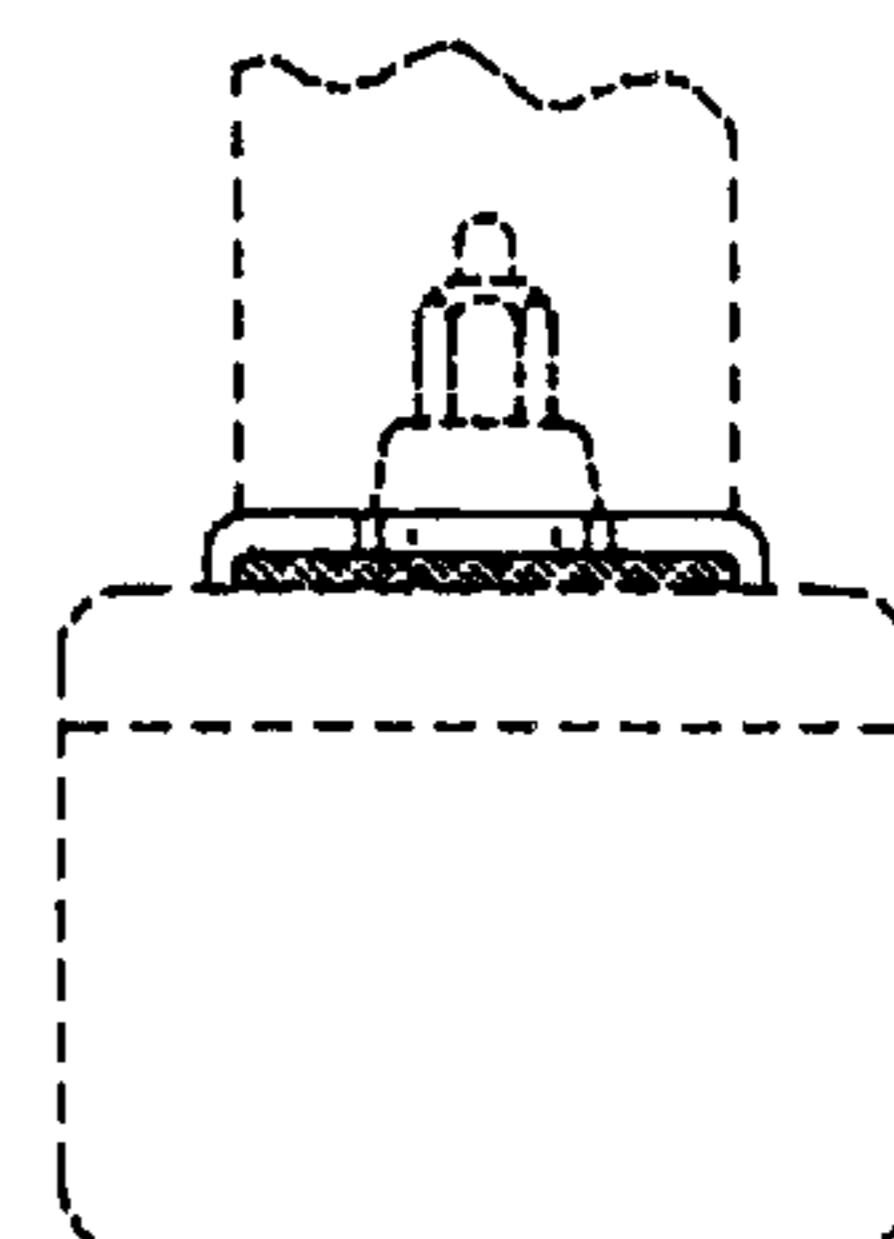


FIG. 2

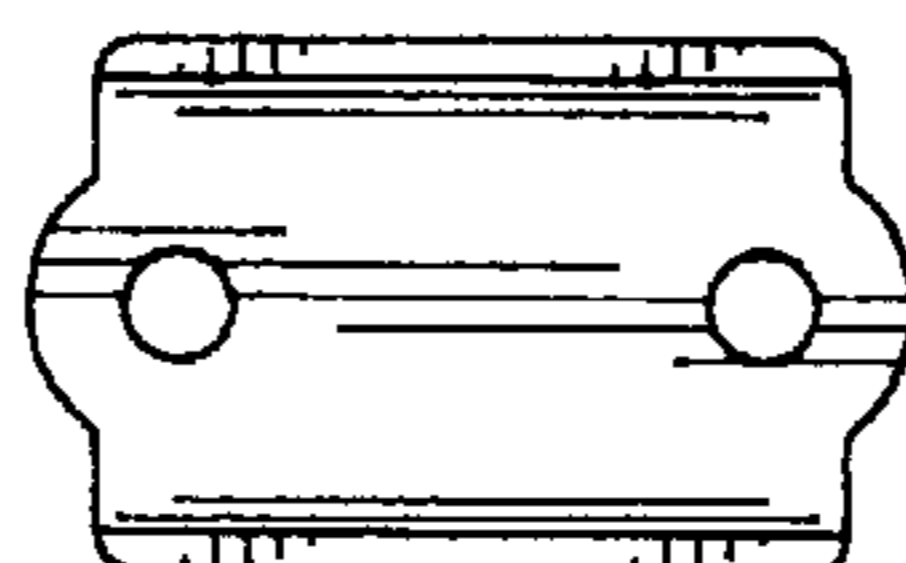


FIG. 5

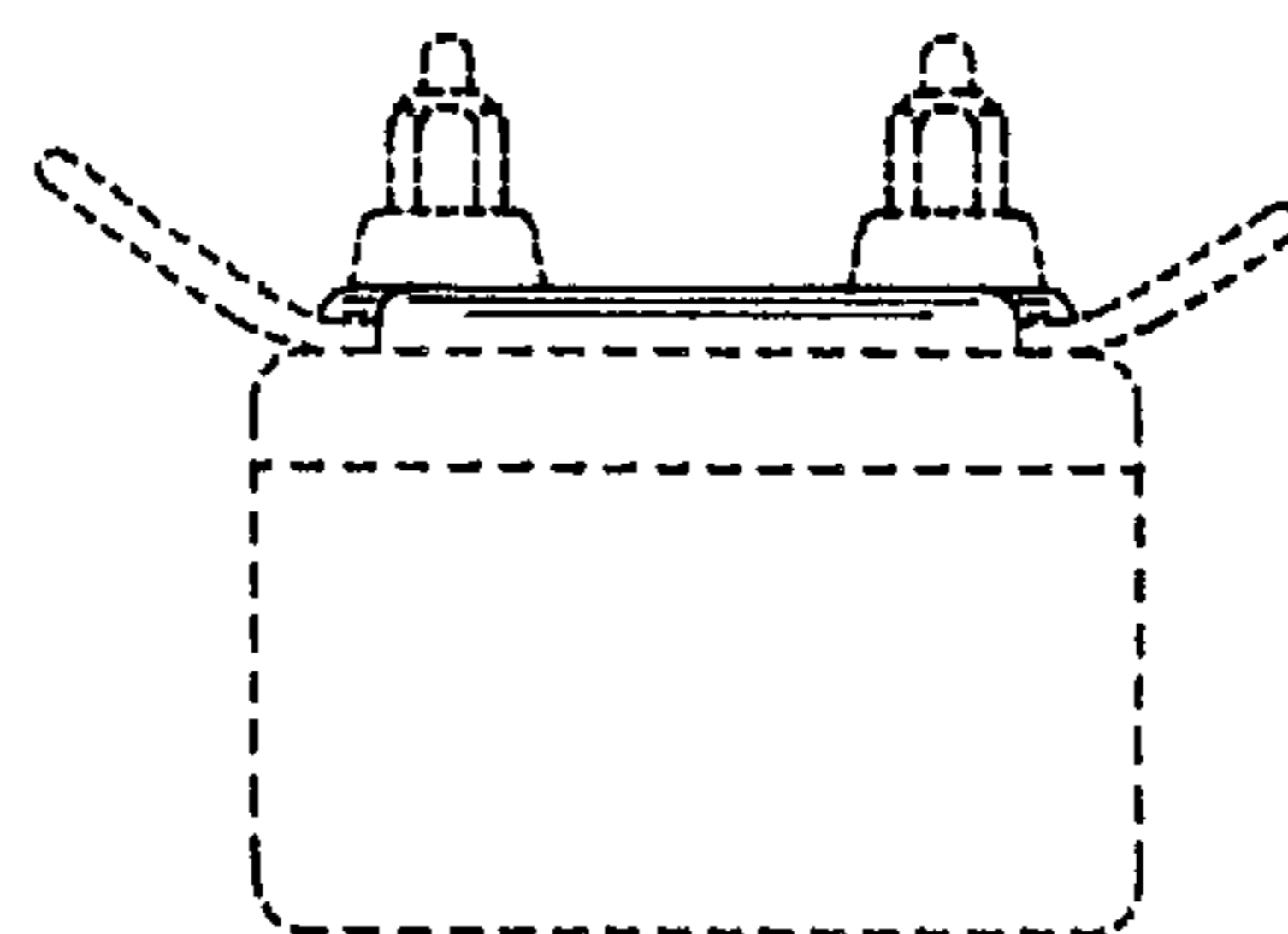


FIG. 6