



US00D417832S

# United States Patent [19] Kim

[11] Patent Number: Des. 417,832

[45] Date of Patent: \*\* Dec. 21, 1999

[54] VEHICLE ANTI-THEFT COVER

[76] Inventor: **Ki Il Kim**, 255 S. Grand Ave., Suite 2004, Los Angeles, Calif. 90012

[\*\*] Term: **14 Years**

[21] Appl. No.: **29/097,126**

[22] Filed: **Nov. 30, 1998**

[51] LOC (6) Cl. .... **08-07**

[52] U.S. Cl. .... **D8/331**

[58] Field of Search ..... D8/330, 331; 70/237, 70/31, 41, 225, 226, 252, 258, 209; D12/177

[56] **References Cited**

U.S. PATENT DOCUMENTS

D. 348,209	6/1994	Chen	.....	D8/331
D. 379,754	6/1997	Solow	.....	D8/331
5,440,908	8/1995	Lin	.....	70/209
5,906,122	5/1999	Jinn-Fu	.....	70/209

*Primary Examiner*—Susan J. Lucas  
*Assistant Examiner*—Jennifer Rivard  
*Attorney, Agent, or Firm*—Irving Keschner

[57] **CLAIM**

The ornamental design for the vehicle anti-theft cover, as shown and described.

**DESCRIPTION**

FIG. 1 is a perspective view of the ornamental design of the present invention with the vehicle dashboard and steering which is shown in phantom;

FIG. 2 is a left side view of the ornamental design of the present invention, the right side view is a mirror image thereof;

FIG. 3 is a front view of the ornamental design of the present invention;

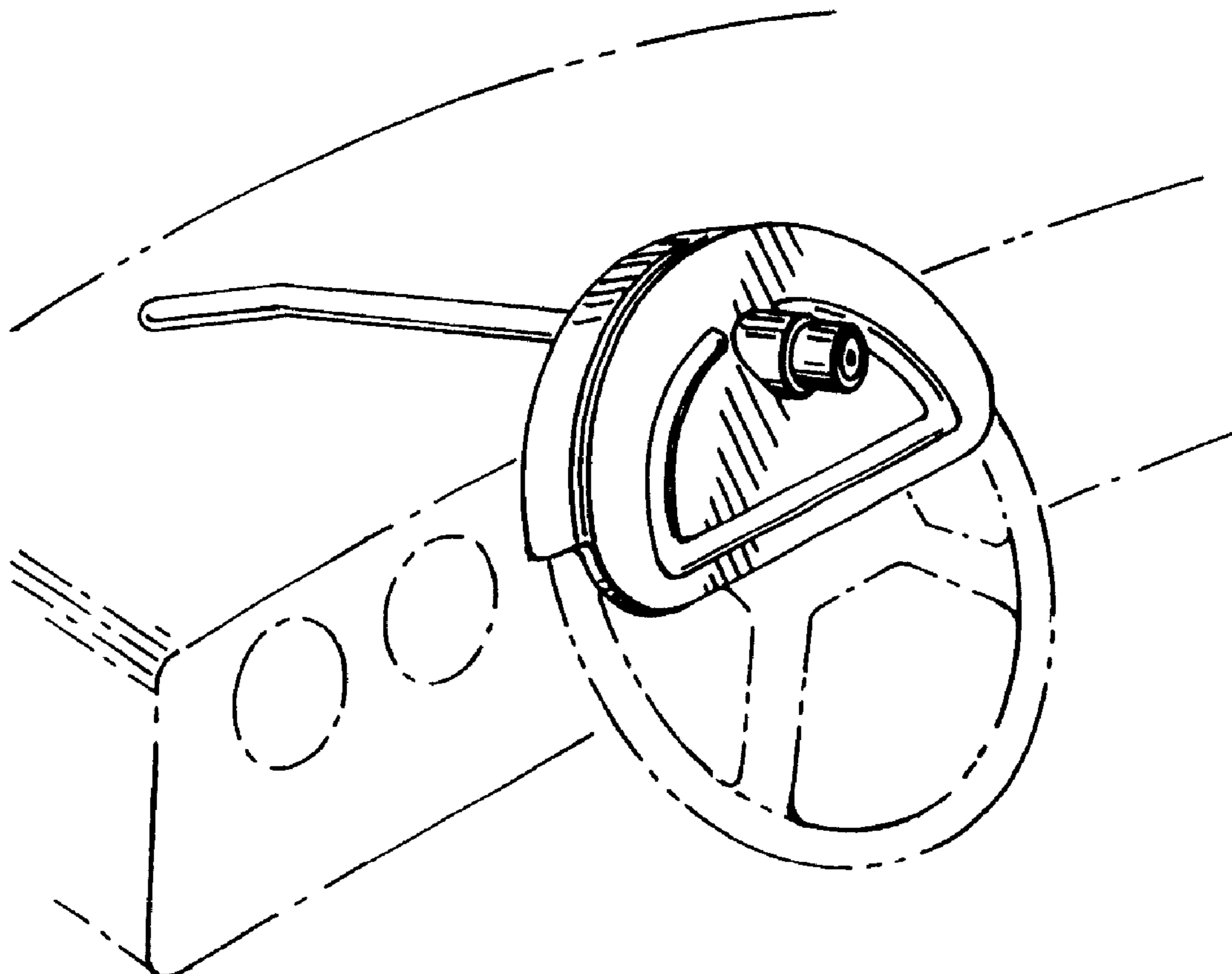
FIG. 4 is a rear view of the ornamental design of the present invention;

FIG. 5 is a top view of the ornamental design of the present invention; and,

FIG. 6 is a bottom view of the ornamental design of the present invention.

The phantom lines are shown for illustrative purposes only and form no part of the claimed design.

**1 Claim, 3 Drawing Sheets**



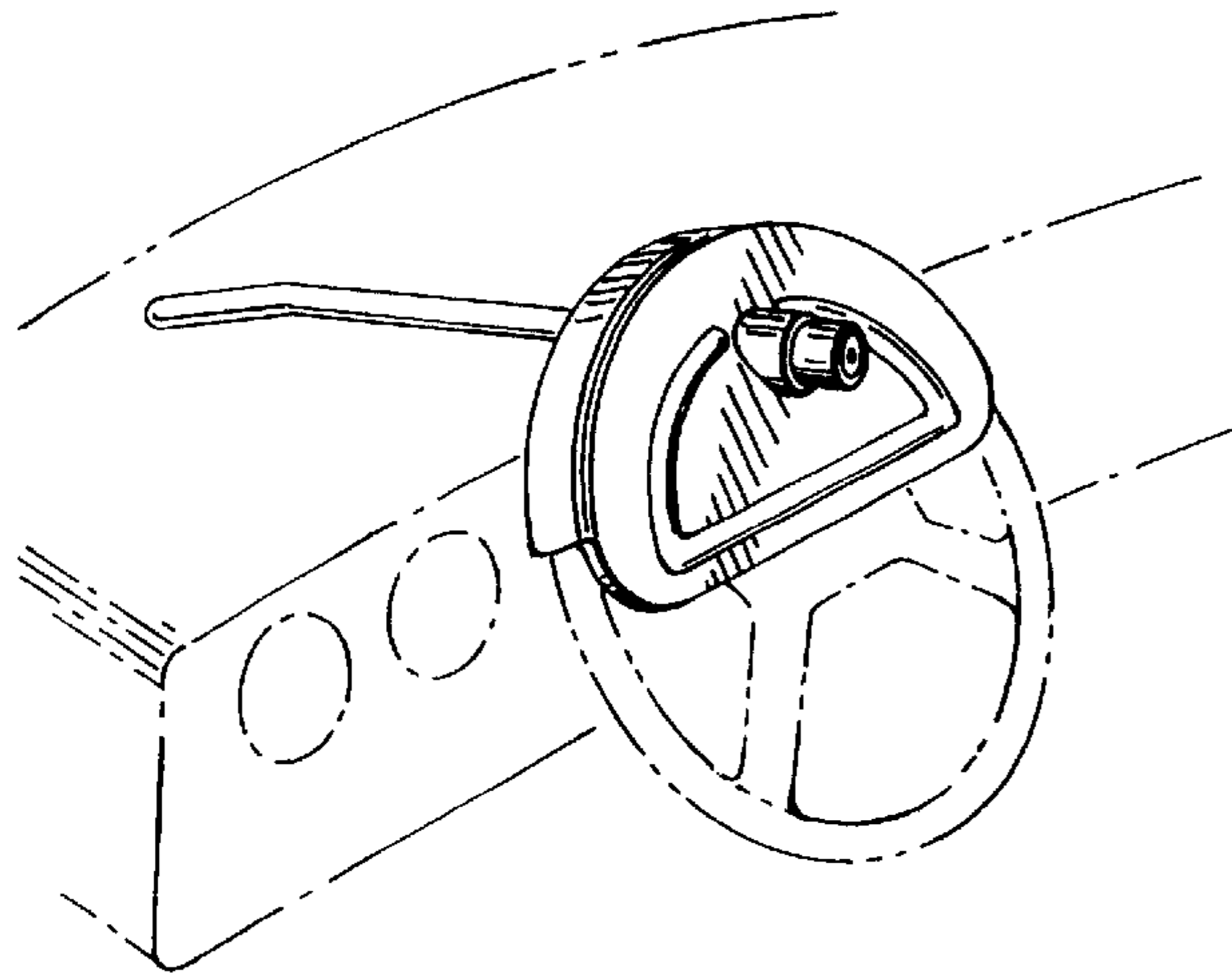


FIG. 1

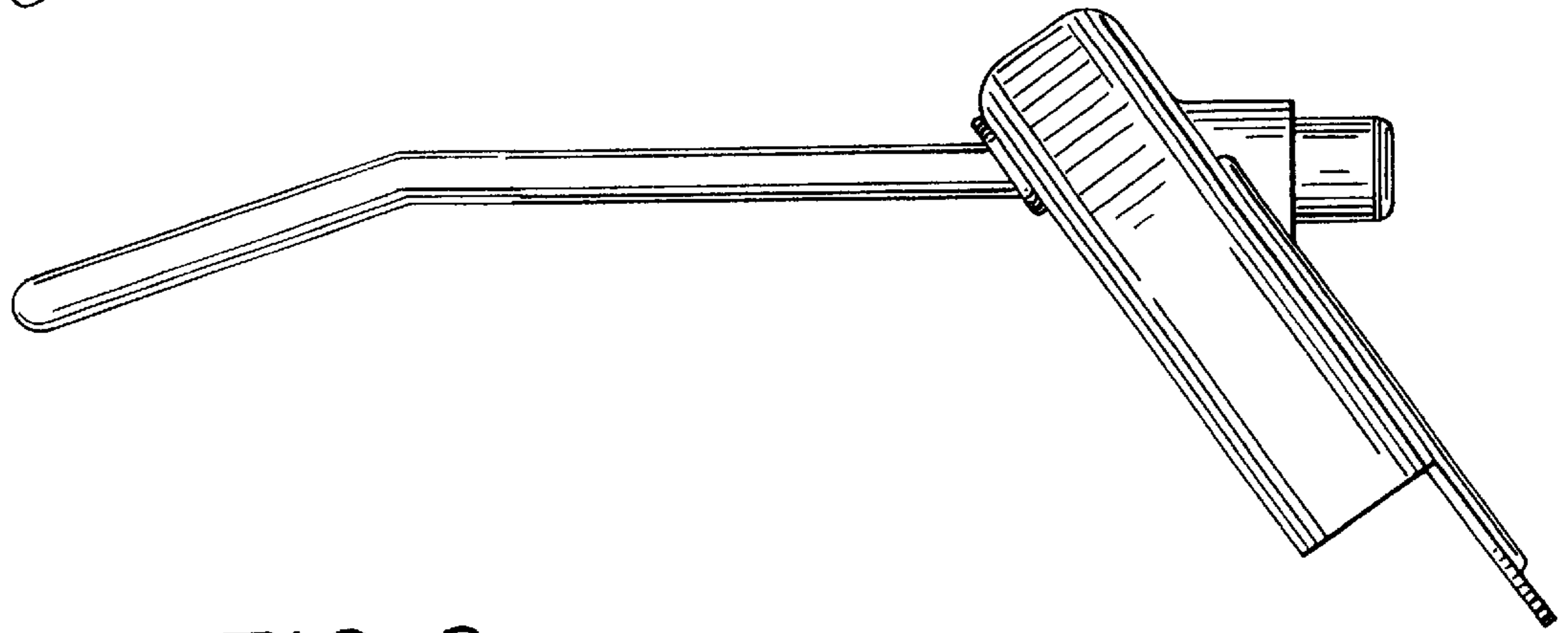
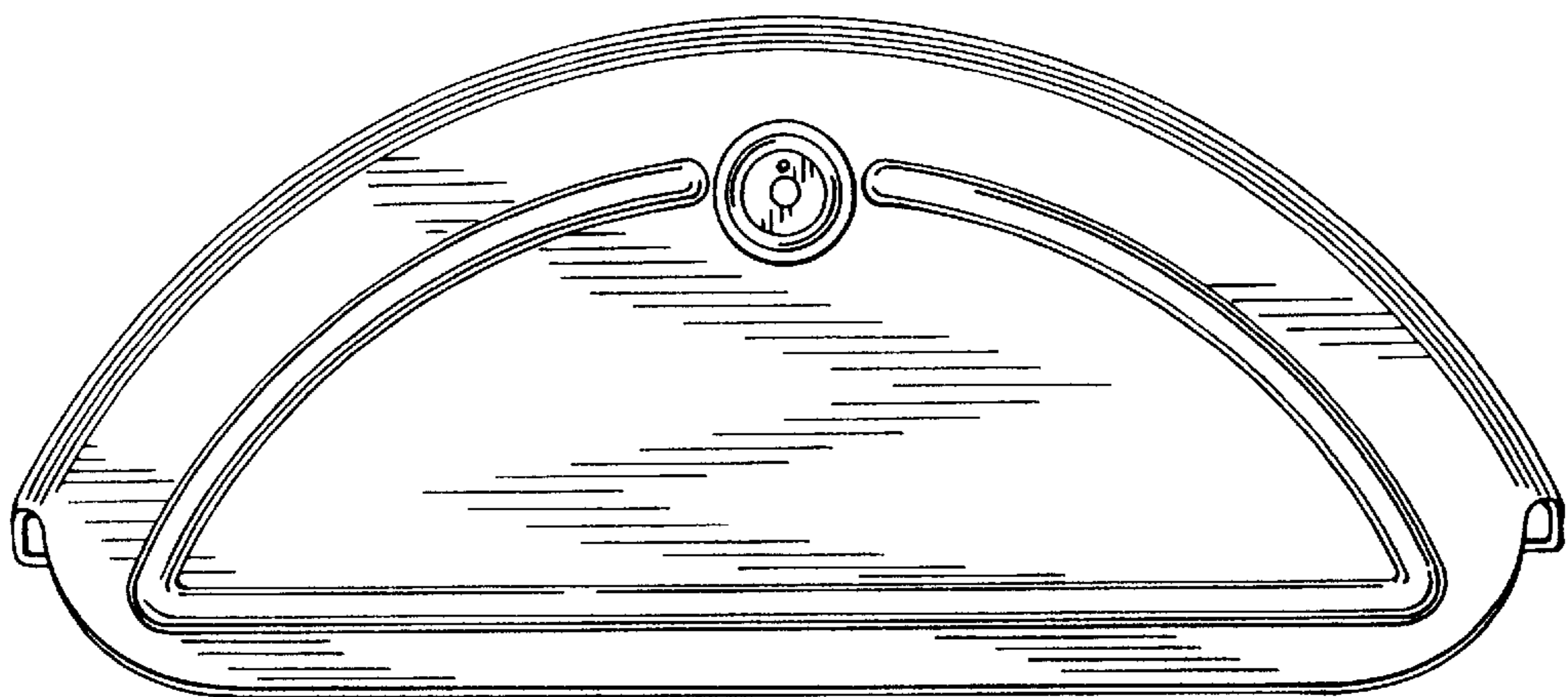


FIG. 2

FIG. 3



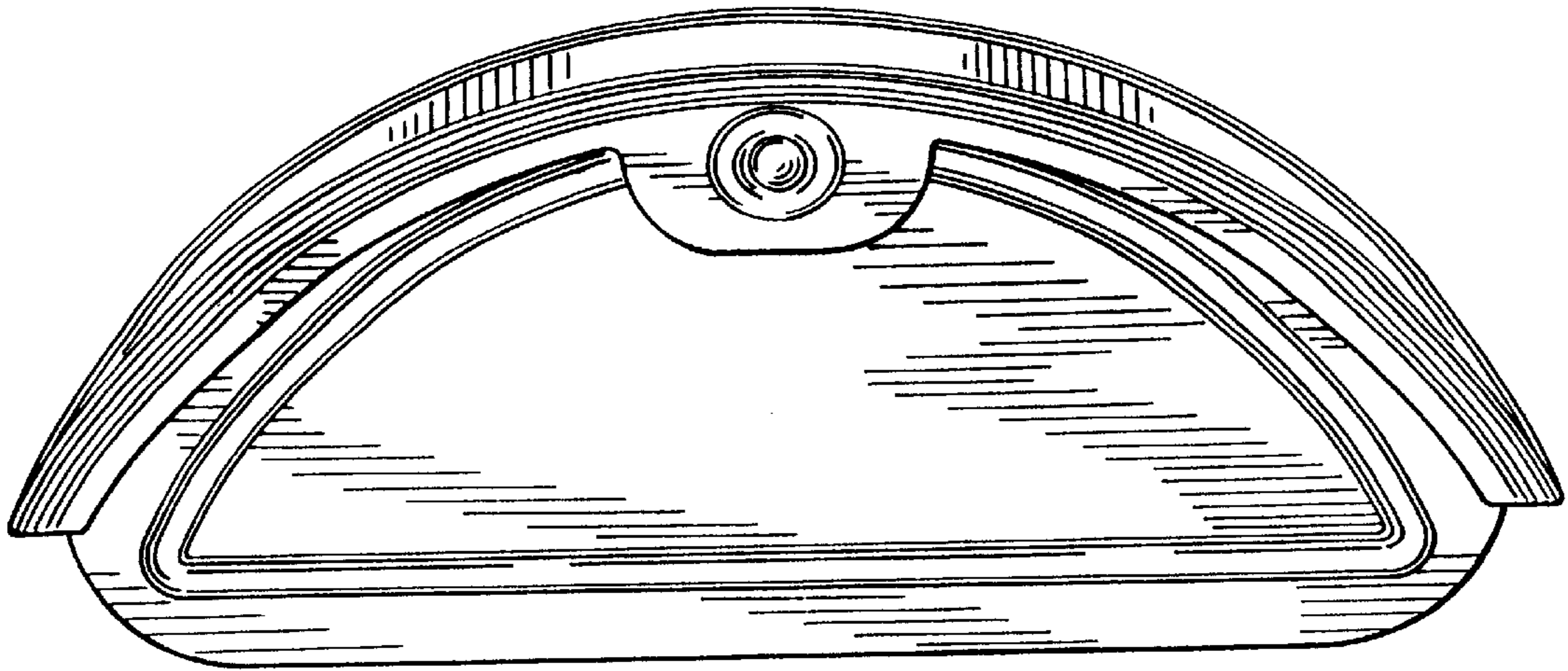


FIG. 4

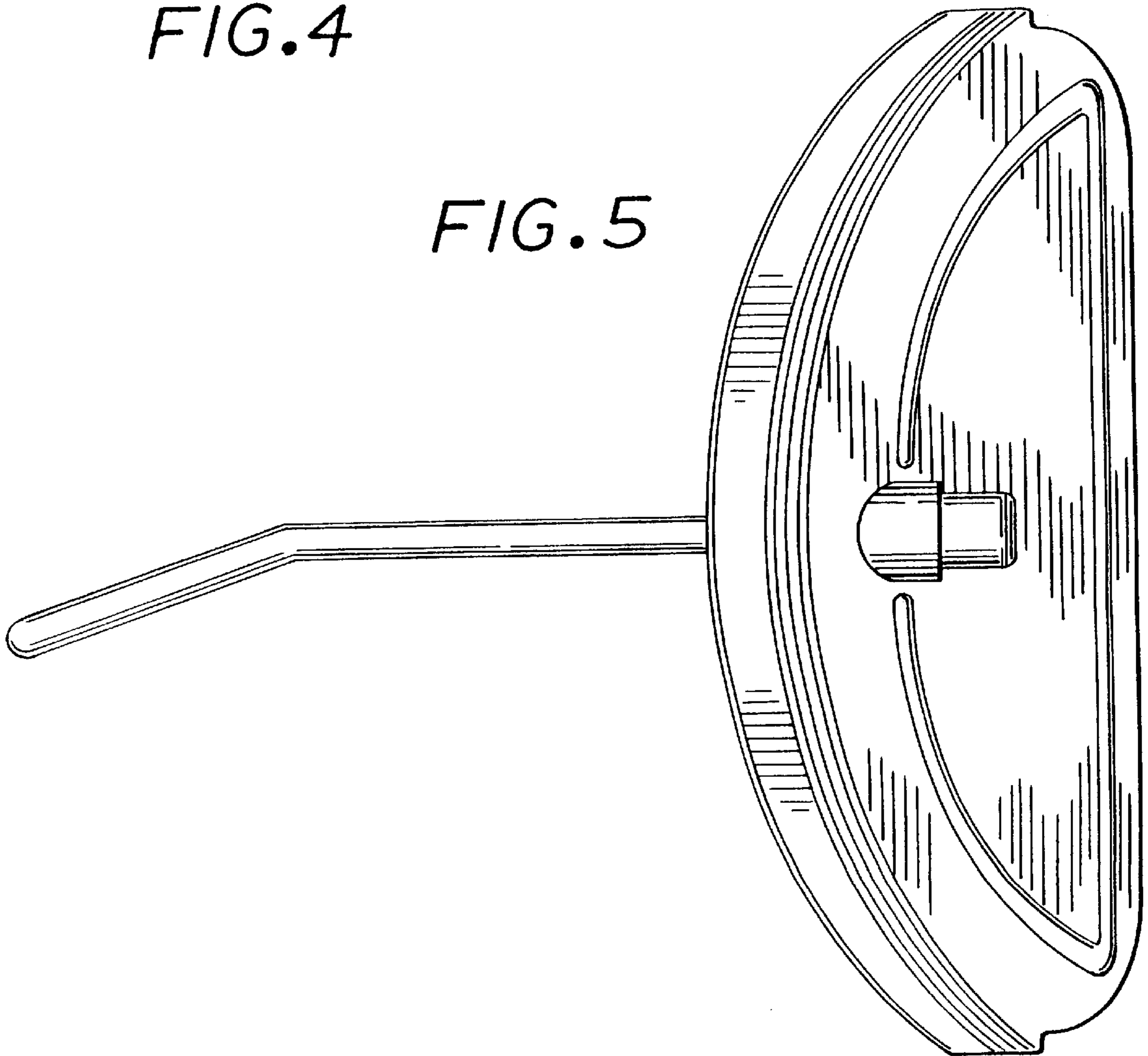


FIG. 5

FIG. 6

