



US00D417827S

**United States Patent** [19]  
**Gillman**

[11] **Patent Number: Des. 417,827**

[45] **Date of Patent: \*\* Dec. 21, 1999**

[54] **TAP HAND TOOL**

[76] Inventor: **Larry A. Gillman**, 14176 Barium St.,  
Ramsey, Minn. 55303

[\*\*] Term: **14 Years**

[21] Appl. No.: **29/097,778**

[22] Filed: **Dec. 14, 1998**

[51] **LOC (6) Cl. .... 08-05**

[52] **U.S. Cl. .... D8/14; D8/47; D8/312;**  
D8/98; D8/82

[58] **Field of Search .... D8/14, 47, 82,**  
D8/86, 107, 312, 98; 408/215, 216, 222;  
411/352, 353

[56] **References Cited**

**U.S. PATENT DOCUMENTS**

D. 231,317	4/1974	Ludwick	.....	D8/312
D. 287,456	12/1986	Kobos	.....	D8/24
D. 292,771	11/1987	Kim	.....	D8/25
D. 309,089	7/1990	Tsuji	.....	D8/82
D. 325,692	4/1992	Johnson	.....	D8/83
D. 394,794	6/1998	Vasudeva	.....	D8/107
D. 400,430	11/1998	McDonough et al.	.....	D8/312

D. 402,522	12/1998	Gillman	.....	D8/312
2,046,840	7/1936	Phillips et al.	.	
2,325,627	8/1943	Neilson	.....	408/222
4,791,837	12/1988	Main	.....	81/63.1
5,037,251	8/1991	Roth	.....	408/222
5,382,124	1/1995	Frattarola	.....	411/352
5,518,440	5/1996	Bone	.....	451/342
5,642,972	7/1997	Ellis et al.	.....	411/353

*Primary Examiner*—Philip S. Hyder  
*Attorney, Agent, or Firm*—Burd, Bartz & Gutenkauf

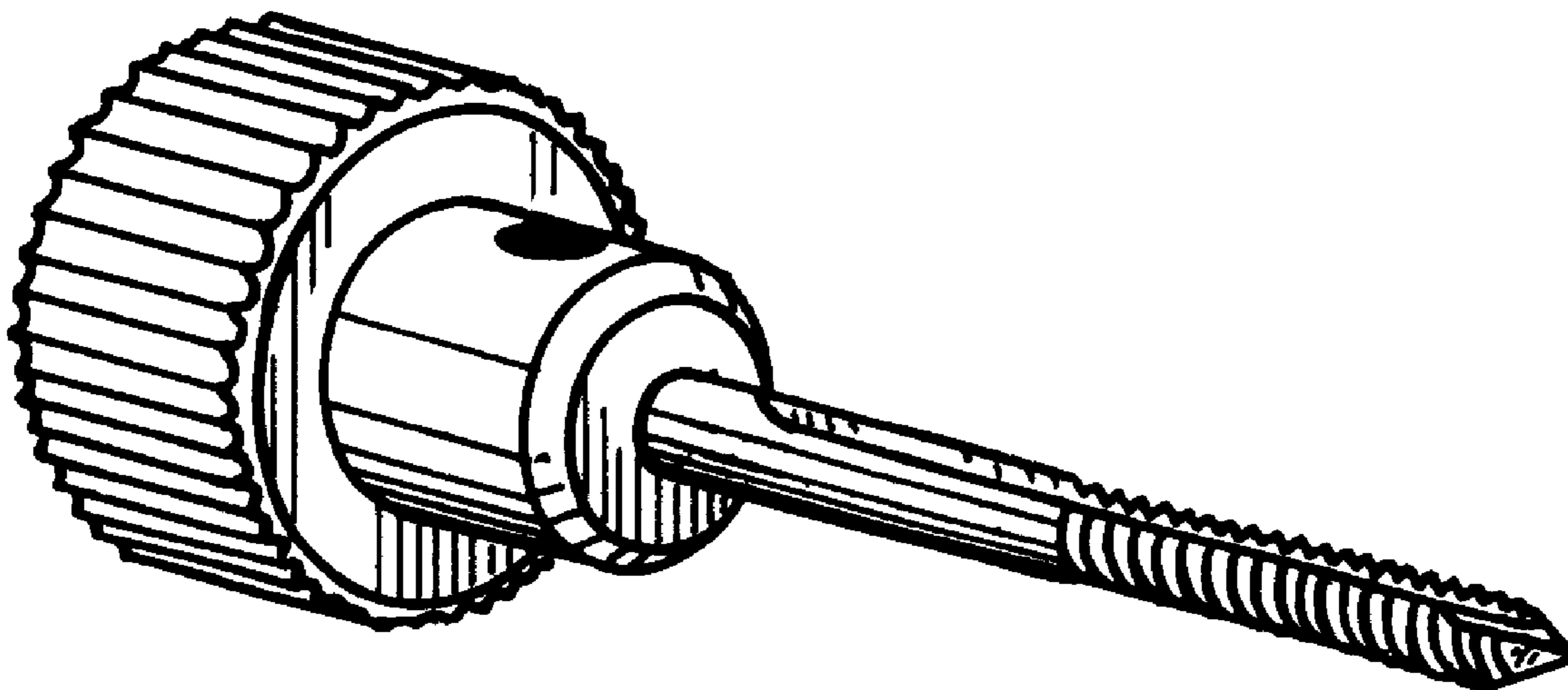
[57] **CLAIM**

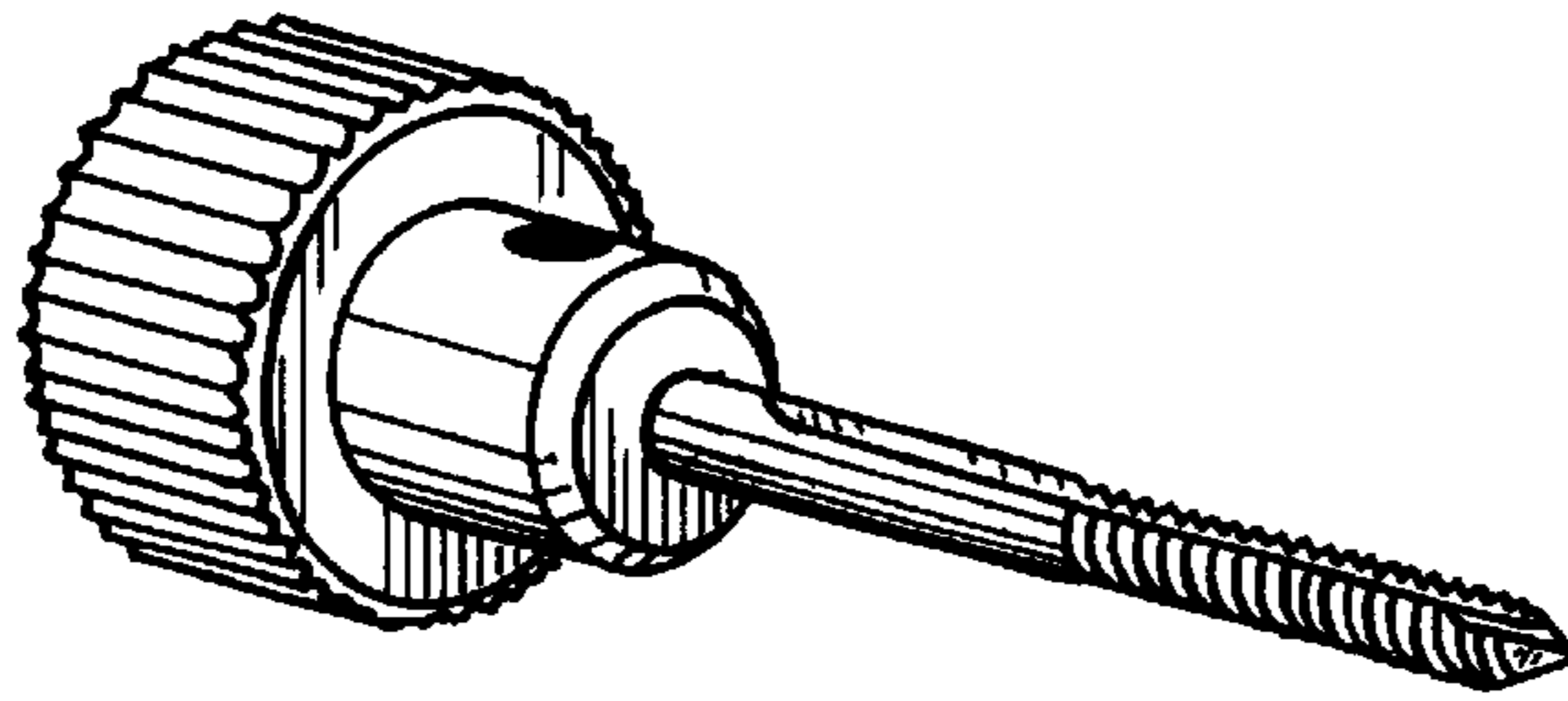
The ornamental design for a tap hand tool, as shown as described.

**DESCRIPTION**

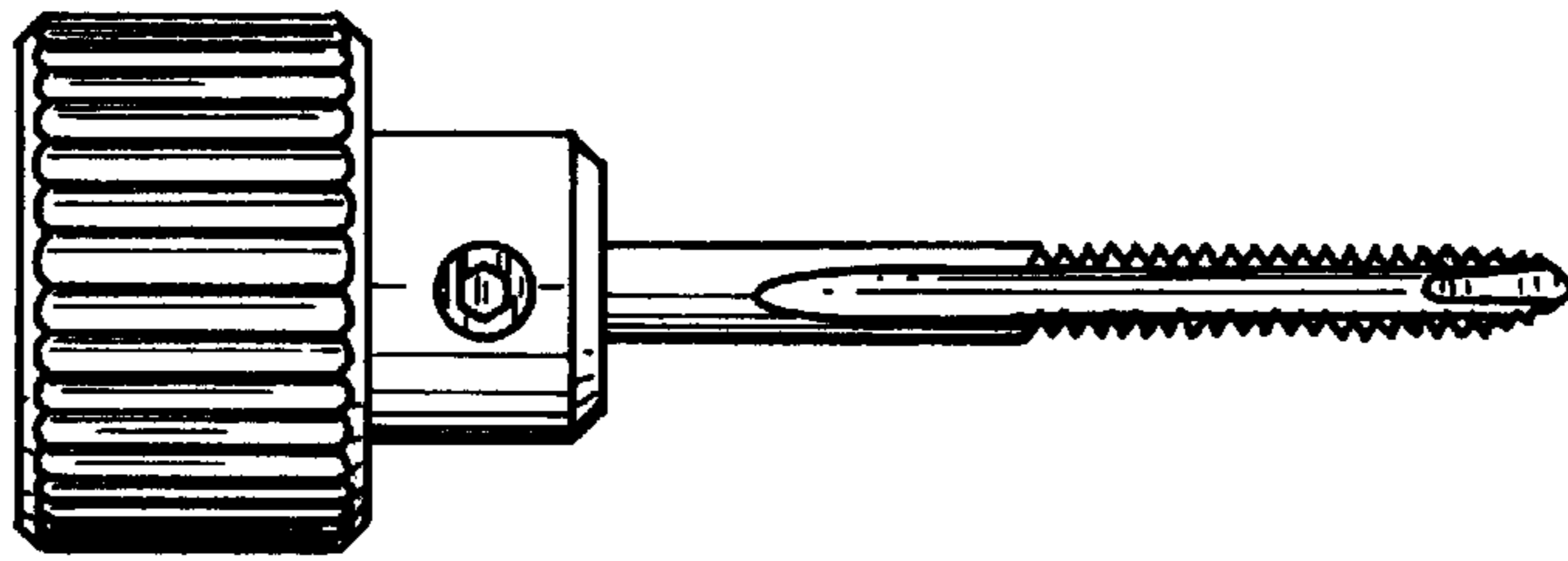
FIG. 1 is a perspective view of the tap hand tool of my new design;  
FIG. 2 is a top plan view thereof;  
FIG. 3 is a rear elevational view thereof;  
FIG. 4 is a front elevational view thereof;  
FIG. 5 is a bottom plan view thereof; and,  
FIG. 6 is a side elevational view thereof, the opposite side being a mirror image thereof.

**1 Claim, 1 Drawing Sheet**

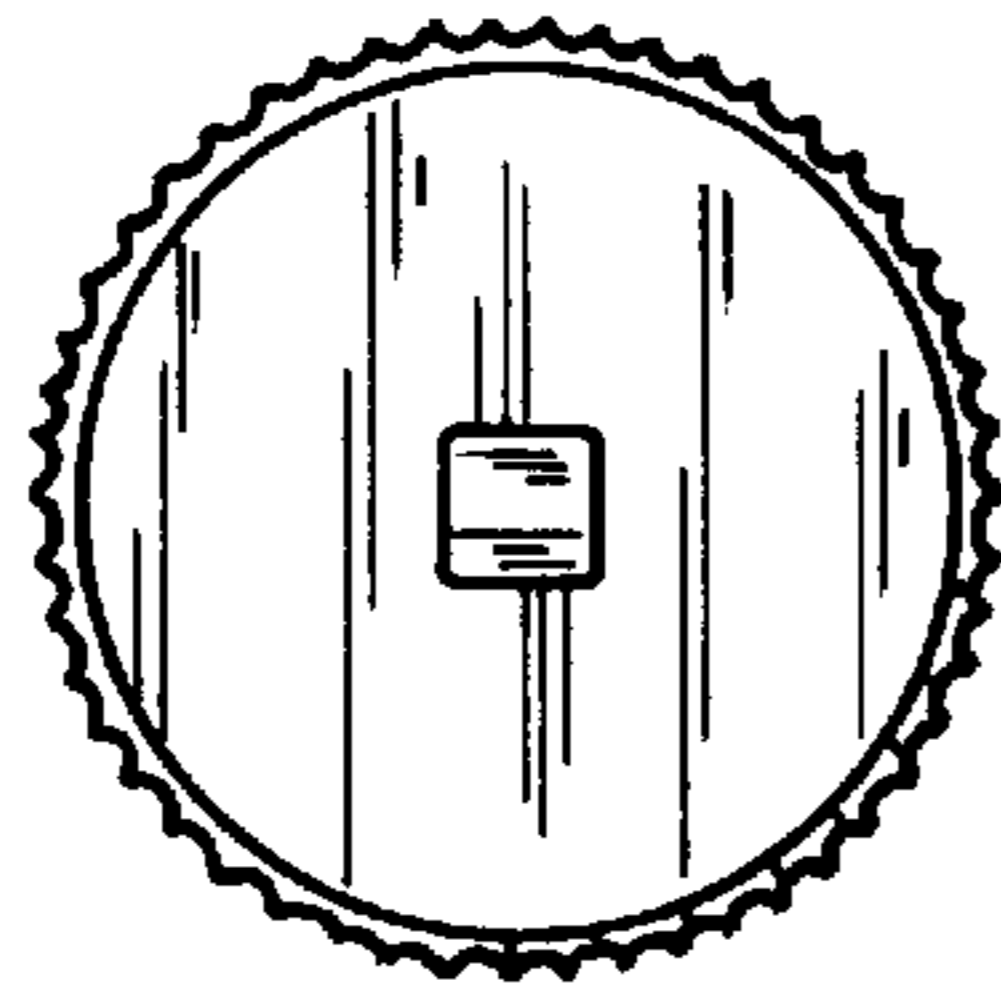




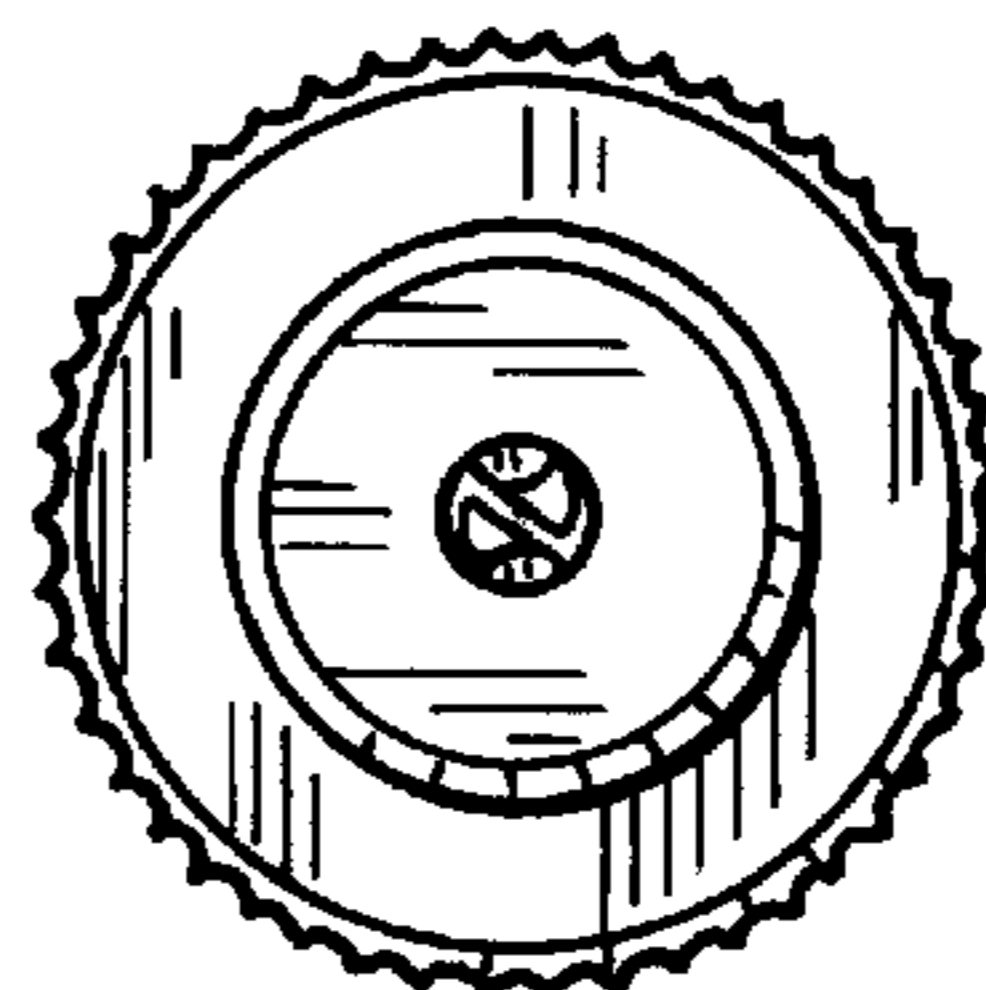
**FIG. 1**



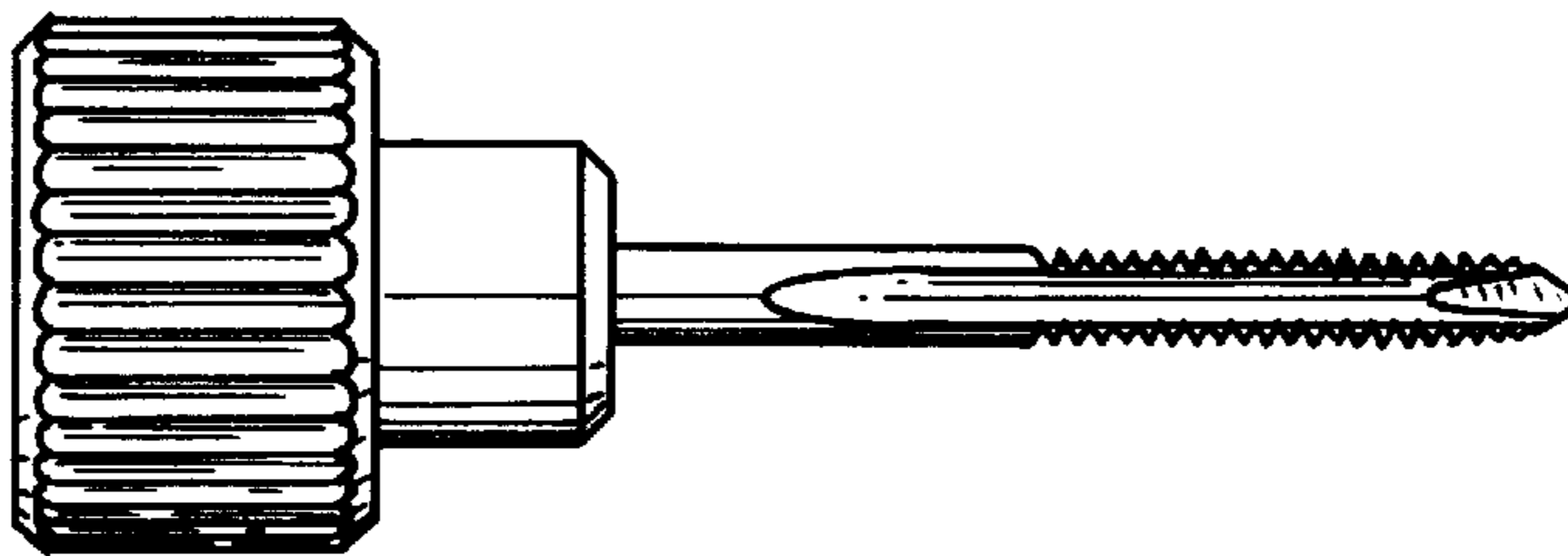
**FIG. 2**



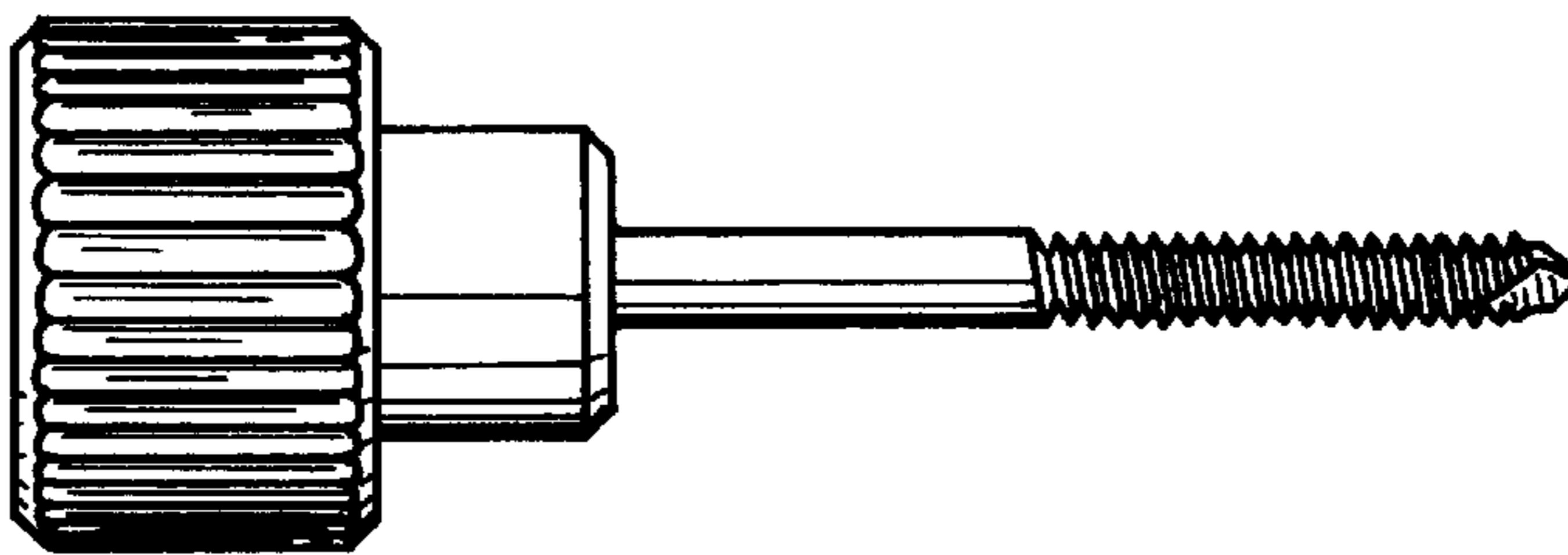
**FIG. 3**



**FIG. 4**



**FIG. 5**



**FIG. 6**