



US00D417826S

# United States Patent [19]

Yacobi et al.

[11] Patent Number: Des. 417,826

[45] Date of Patent: \*\* Dec. 21, 1999

[54] SNOW TOOL BLADE

[75] Inventors: **Michael S. Yacobi**, Powell; **Richard P. Nuchols**, Loveland, both of Ohio

[73] Assignee: **Uniontools**, Columbus, Ohio

[\*\*] Term: **14 Years**

[21] Appl. No.: **29/066,965**

[22] Filed: **Feb. 28, 1997**

[51] LOC (6) Cl. .... **08-01**

[52] U.S. Cl. .... **D8/10**

[58] Field of Search ..... D8/7, 10; 294/49, 294/54.5, 55; 37/265, 284, 285

### [56] References Cited

#### U.S. PATENT DOCUMENTS

D. 298,906	12/1988	Bonnes	.....	D8/10
D. 363,653	10/1995	Tisbo et al.	.....	D8/10
D. 385,160	10/1997	Tisbo et al.	.....	D8/10
3,078,604	2/1963	Neuman	.....	294/54.5

*Primary Examiner*—Alan P. Douglas  
*Assistant Examiner*—Lavone D. Tabor  
*Attorney, Agent, or Firm*—Finnegan, Henderson, Farabow, Garrett & Dunner

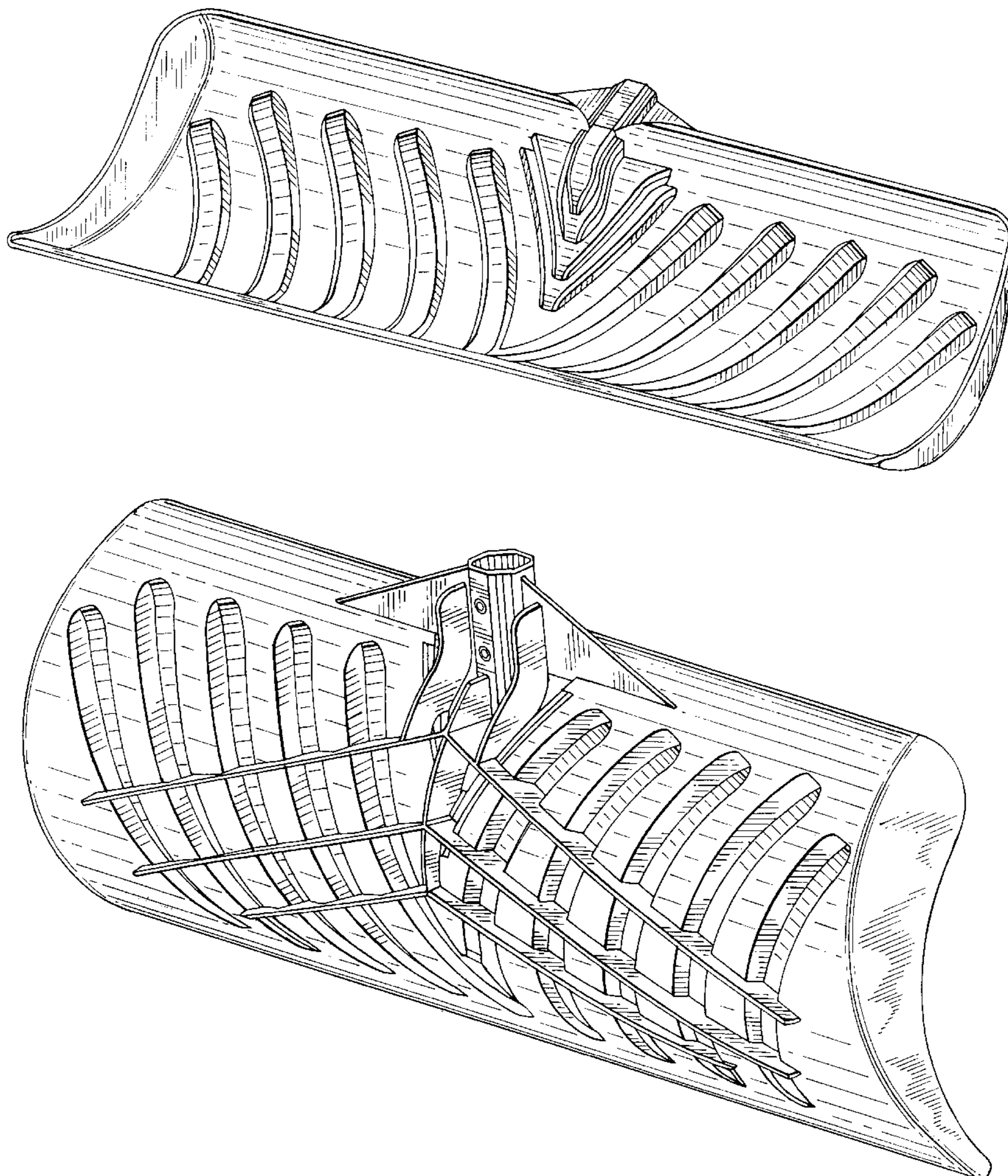
### [57] CLAIM

The ornamental design for a snow tool blade, as shown and described.

### DESCRIPTION

FIG. 1 is a front perspective view of a snow tool blade in accordance with the present invention; FIG. 2 is a front elevational view thereof; FIG. 3 is a rear perspective view thereof; FIG. 4 is a rear elevational view; FIG. 5 is a left side elevational view thereof, the right side being a mirror image thereof; and, FIG. 6 is a front elevational view of a second embodiment of the design shown in FIGS. 1–5 with the only difference residing in the uninterrupted appearance at the center of the top edge of the blade.

1 Claim, 6 Drawing Sheets



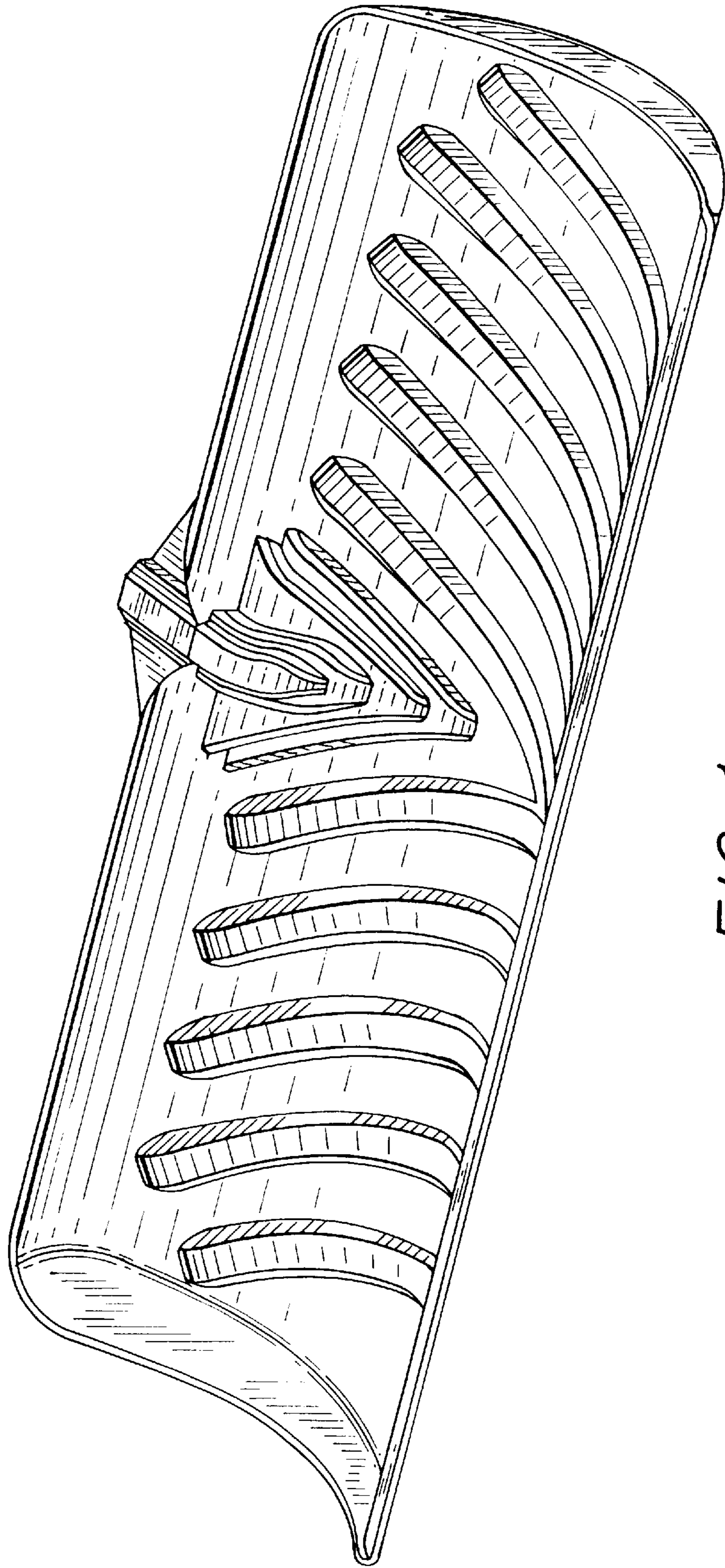


FIG. 1

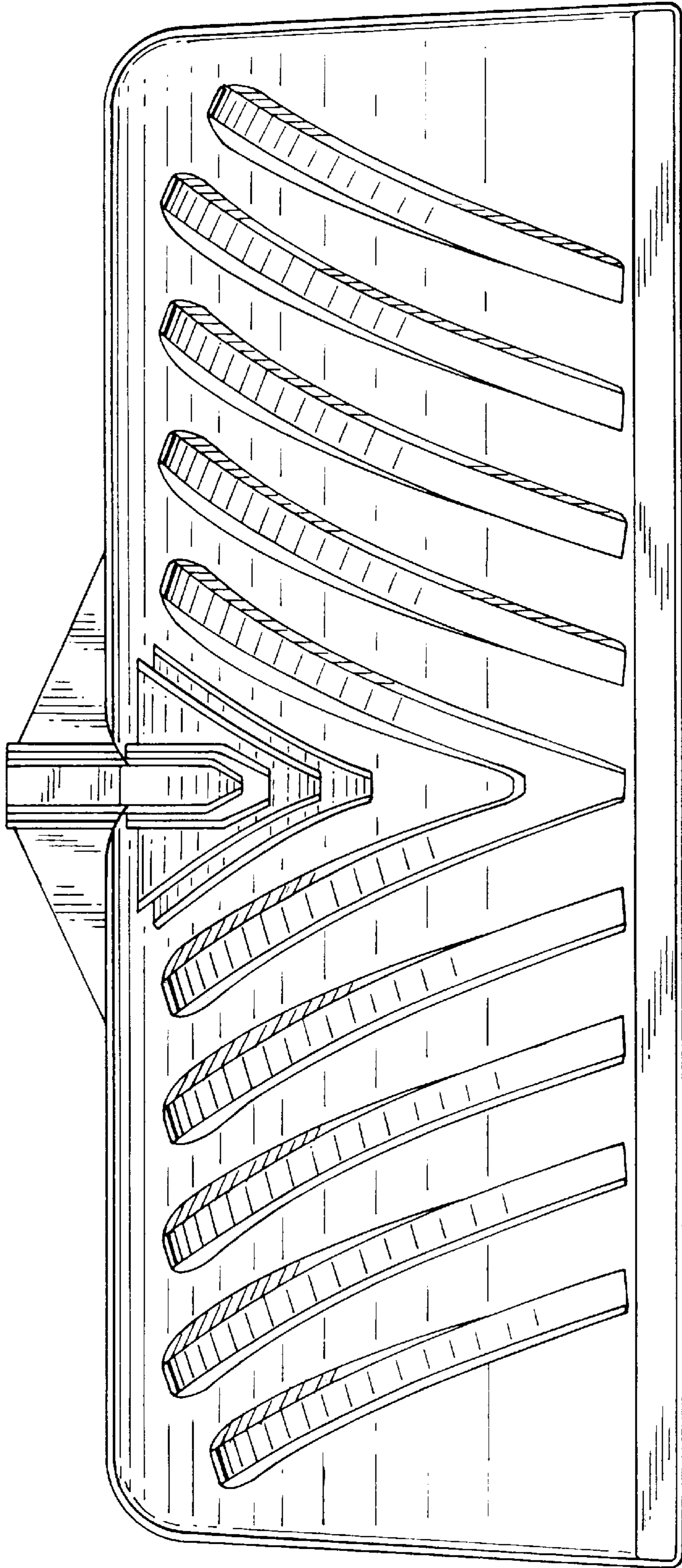


FIG. 2

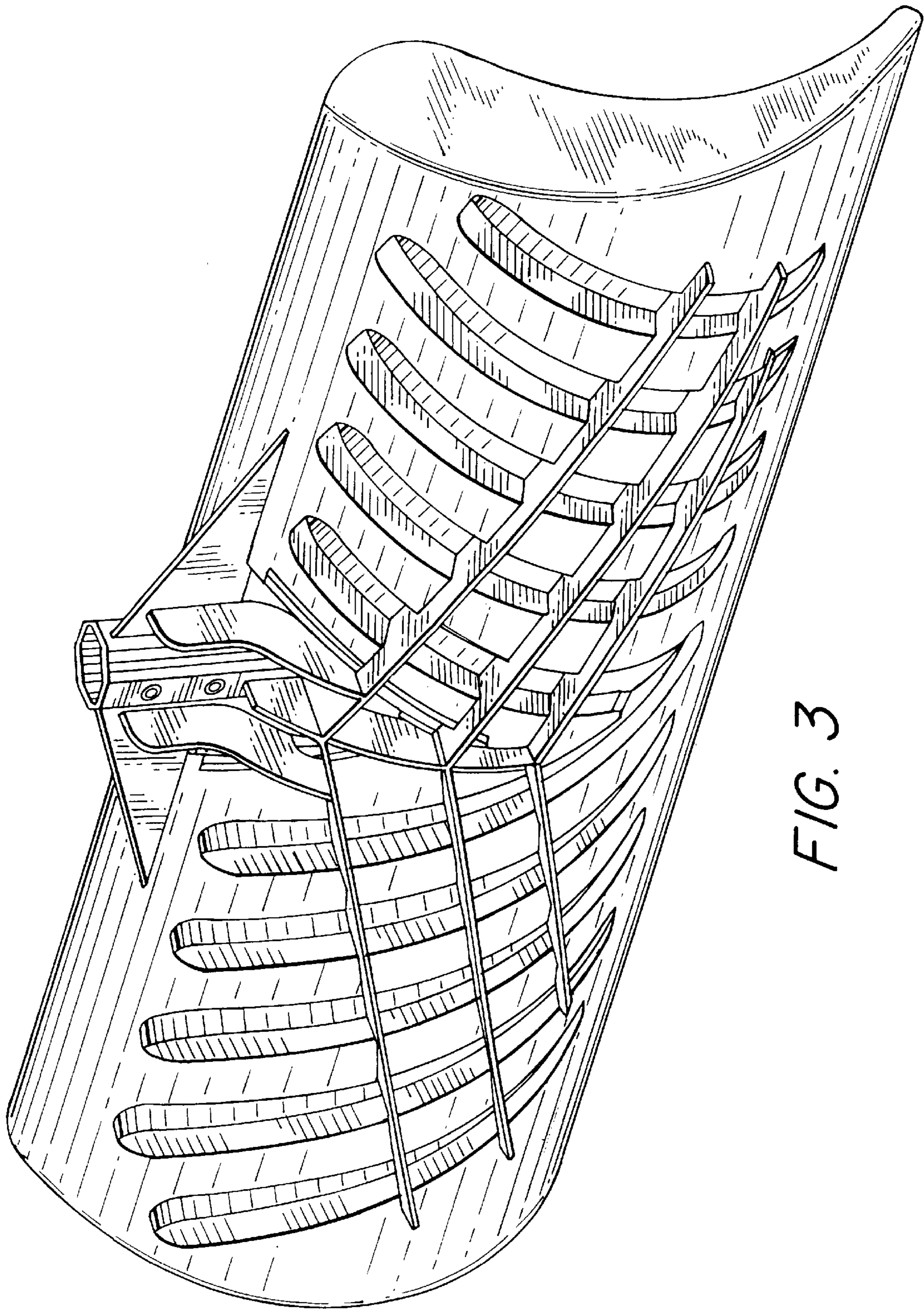


FIG. 3

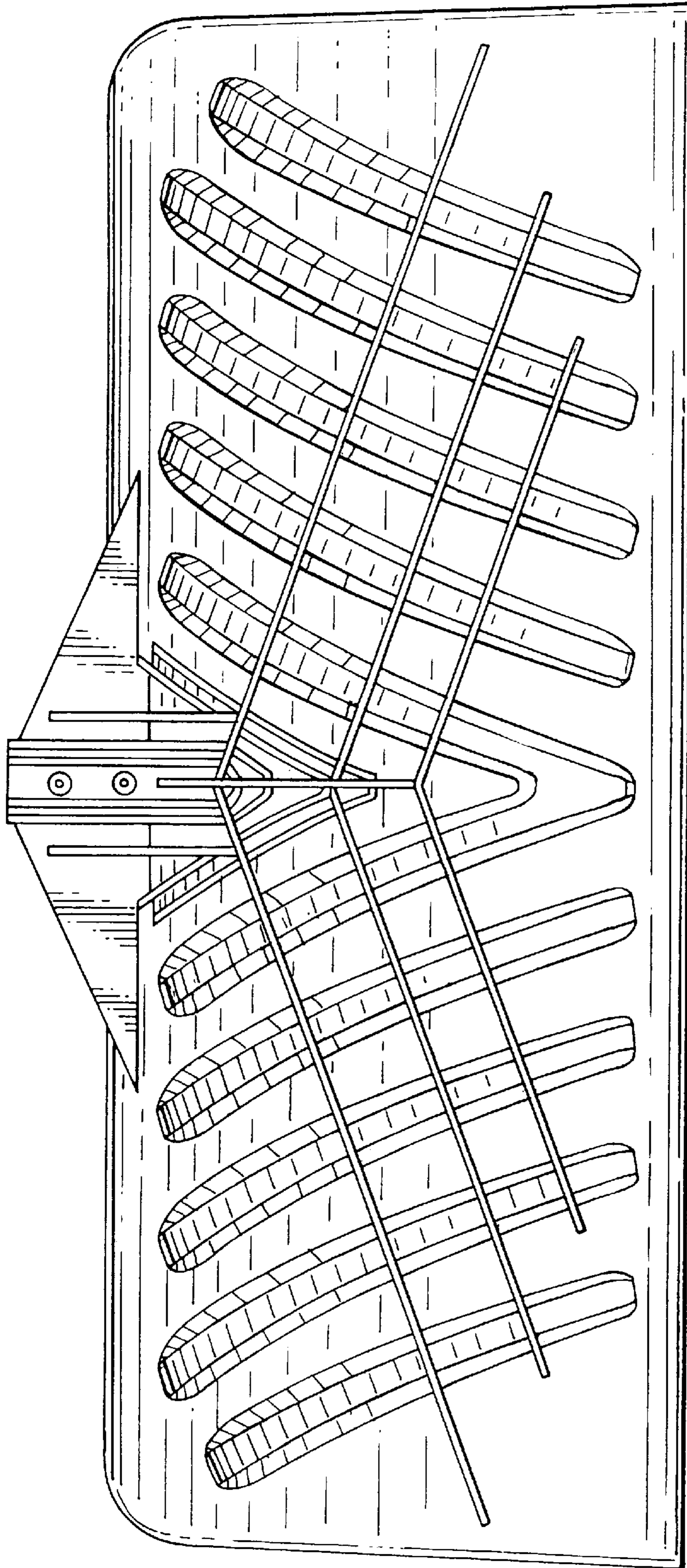
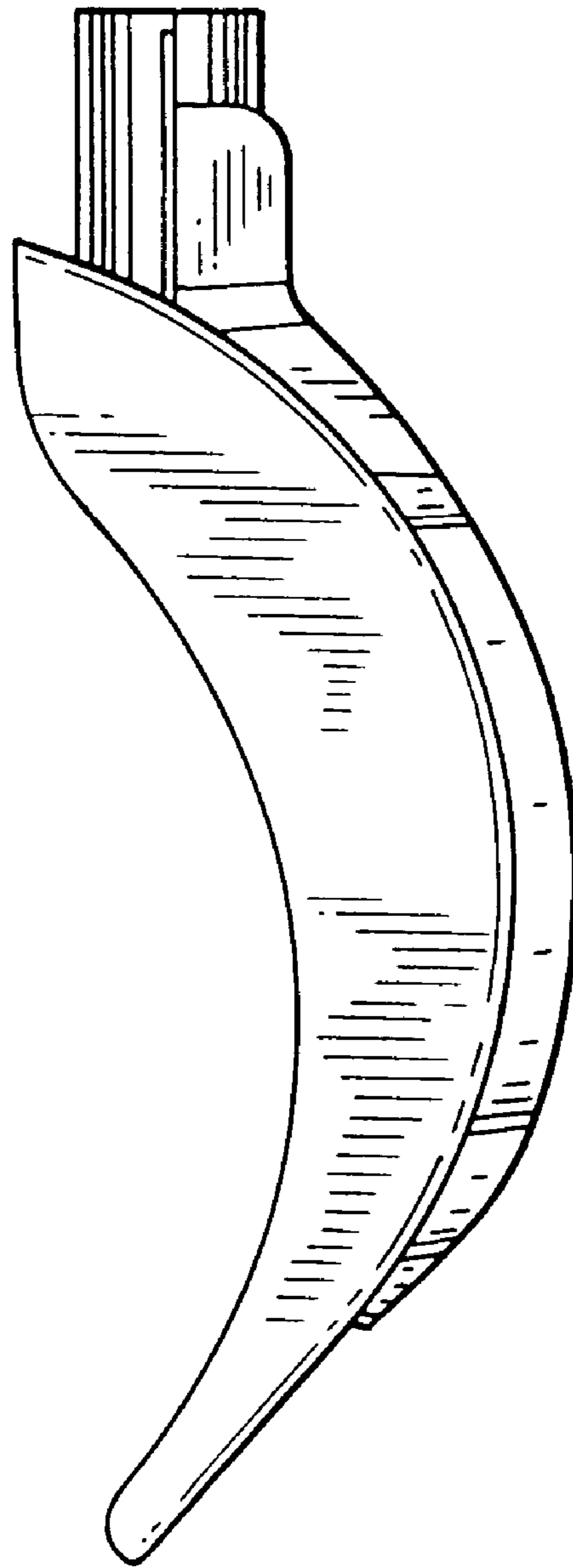


FIG. 4



*FIG. 5*

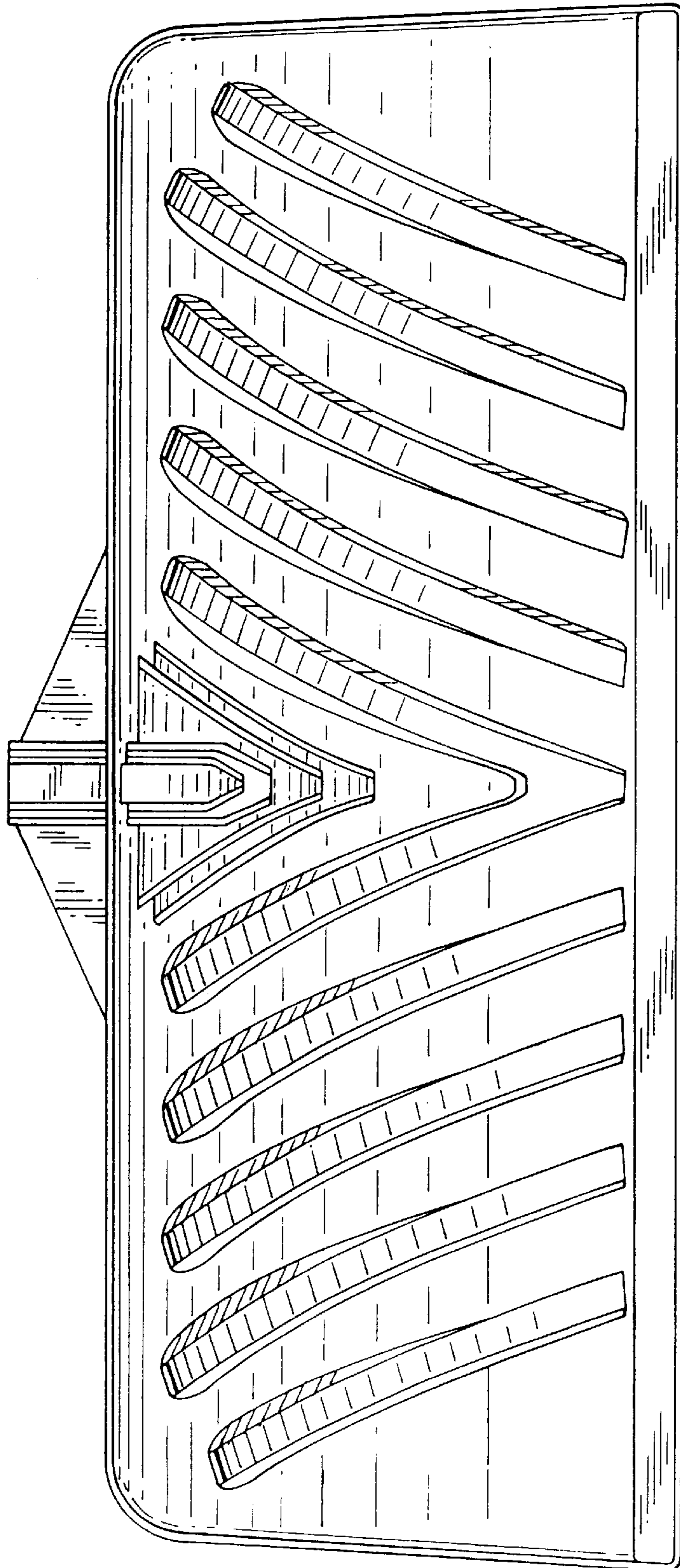


FIG. 6