



US00D417817S

United States Patent [19]

[11] Patent Number: **Des. 417,817**

Loew et al.

[45] Date of Patent: **** Dec. 21, 1999**

[54] BOWL LID

OTHER PUBLICATIONS

[75] Inventors: **Christopher Loew**, Palo Alto; **John Stoddard**, Ben Lomond, both of Calif.

P. 4, Lids; Tupperware, Orlando, Florida. Publication date 1976.

[73] Assignees: **Rubbermaid Incorporated**, Wooster, Ohio; **Amway Corporation**, Ada, Mich.

P. 12, Lids; Tupperware, Orlando, Florida. Publication date Mar., 1996.

[**] Term: **14 Years**

Pp. 3, 5, 6, 20, 21 and 24; Tupperware, Orlando, Florida. Publication date Fall, 1993.

[21] Appl. No.: **29/089,196**

Pp. 5 and 11; Tupperware, Orlando, Florida. Publication date Summer, 1994.

[22] Filed: **Jun. 9, 1998**

Pp. 10, 24, 25 and 26; Tupperware, Orlando, Florida. Publication date 1997.

[51] **LOC (6) Cl.** **07-01**

Catalog page, Lids; Fratelli Guzzini S.p.A., c.da Mattonata, 60, 62019 Recanati, Italy. Published at least as early as Aug., 1995.

[52] **U.S. Cl.** **D7/392.1; D7/543**

P. 6, Lid; Decor America Incorporation, 250 West Artesia Boulevard, Compton, California 90220. Publication date 1991.

[58] **Field of Search** D7/391, 392, 392.1, D7/538, 539, 540, 542, 543, 545, 629; D9/414, 424, 443, 454, 435; 220/306, 307, 309.1, 367.1, 377, 780, 781, 793

Sell sheet, Lids; Anchor Hocking Plastics, a Member of the Newell Group, P.O. Box 64610, St. Paul, Minnesota 55164. Publication date Oct., 1992.

[56] References Cited

Catalog page, Lids; Anchor Hocking Plastics, a Member of the Newell Group, P.O. Box 64610, St. Paul, Minnesota 55164. Publication date Feb., 1994.

U.S. PATENT DOCUMENTS

(List continued on next page.)

D. 228,867	10/1973	Mallonn .	
D. 229,737	1/1974	Taylor .	
D. 230,342	2/1974	Mallonn .	
D. 230,343	2/1974	Mallonn .	
D. 230,344	2/1974	Mallonn .	
D. 230,556	3/1974	Mallonn .	
D. 238,148	12/1975	Dilot .	
D. 246,344	11/1977	Yonkers .	
D. 249,935	10/1978	Williams	D9/454
D. 267,703	1/1983	Chase et al.	D9/435
D. 274,030	5/1984	Daenen	D7/391
D. 279,952	8/1985	Daenen .	
D. 282,616	2/1986	Gallagher et al. .	
D. 309,554	7/1990	Meisner	D7/602
D. 329,572	9/1992	Krupa	D7/538
D. 336,017	6/1993	Smith et al.	D7/629
D. 339,958	10/1993	Olsen et al.	D7/392.1
D. 344,210	2/1994	Cousins et al.	D7/538
D. 346,720	5/1994	Onneweer	D7/629
D. 350,843	9/1994	Van Valkenburg	D7/614
D. 350,880	9/1994	Van Valkenburg	D7/629
D. 351,090	10/1994	Narsutis	D7/629

Primary Examiner—Cathron B. Matta
Attorney, Agent, or Firm—Richard B. O'Planick

[57] CLAIM

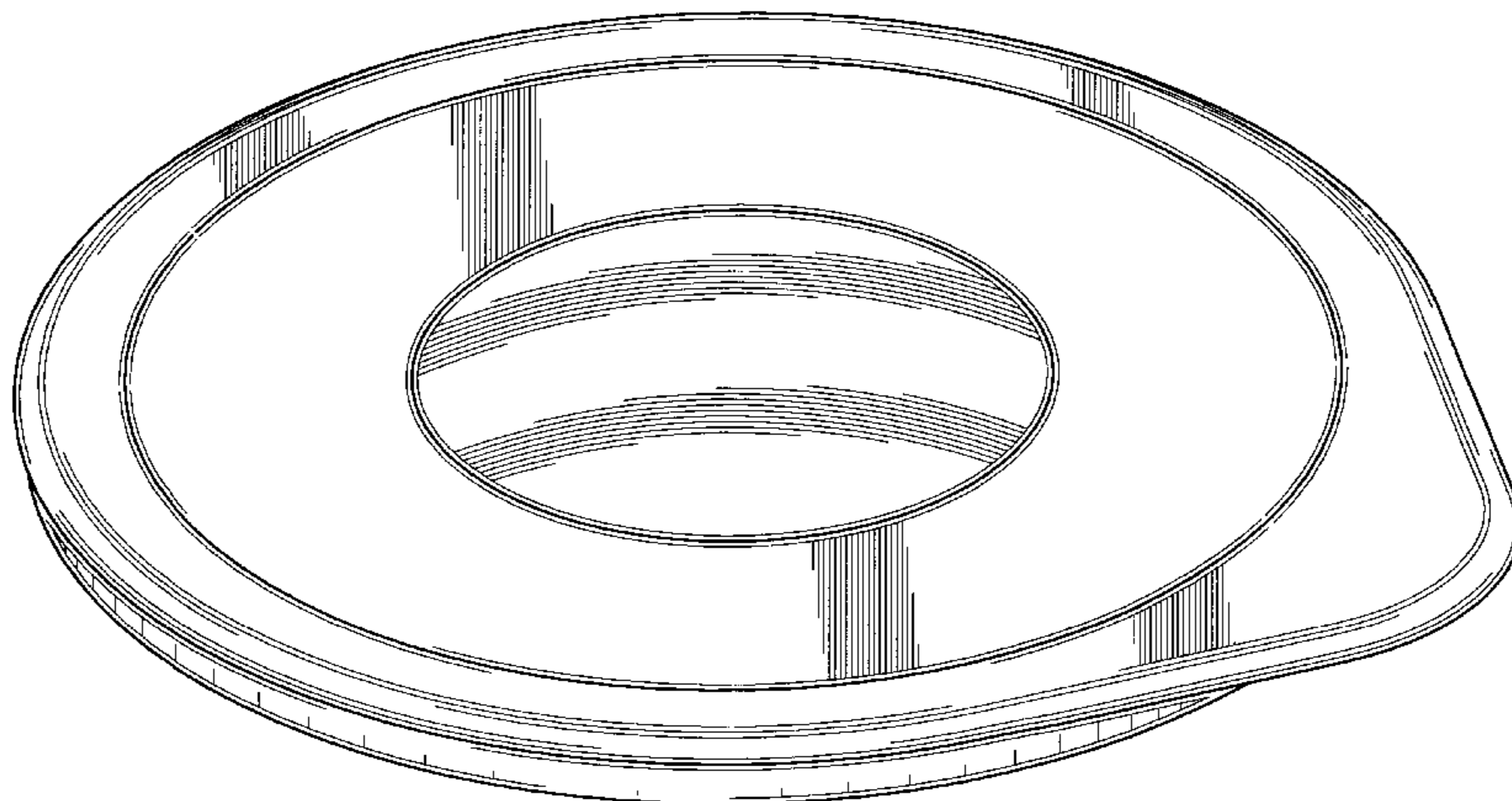
The ornamental design for a bowl lid, as shown and described.

DESCRIPTION

FIG. 1 is a top right front perspective view of a bowl lid showing our new design; FIG. 2 is a top plan view thereof, shown at a reduced scale; FIG. 3 is a left side elevational view thereof; FIG. 4 is a front elevational view thereof; the rear elevational view being a mirror image; FIG. 5 is a right side elevational view thereof; and, FIG. 6 is a bottom plan view thereof, shown at a reduced scale.

(List continued on next page.)

1 Claim, 6 Drawing Sheets



U.S. PATENT DOCUMENTS

D. 351,765	10/1994	Beeler et al.	D7/629
D. 352,423	11/1994	Laib	D7/538
D. 353,303	12/1994	Davis	D7/542
D. 354,435	1/1995	Krupa	D9/423
D. 355,814	2/1995	Van Valkenburg et al.	D7/629
D. 357,161	4/1995	Botten	D7/605
D. 360,105	7/1995	Doxey	D7/391
D. 363,638	10/1995	Feer	D7/391
D. 366,397	1/1996	Zimmerman	D7/629
D. 366,989	2/1996	Zimmerman	D7/629
D. 367,996	3/1996	Rausch	D7/602
D. 371,963	7/1996	Ahern, Jr.	D9/428
D. 373,704	9/1996	Doxey	D7/391
D. 376,512	12/1996	Klemme	D7/538
D. 376,952	12/1996	Rausch	D7/392.1
D. 376,960	12/1996	Ferris	D7/629
D. 377,733	2/1997	Ahern et al.	D7/392.1
D. 378,563	3/1997	Ferris	D7/629
D. 379,133	5/1997	Ahern et al.	D7/392.1
D. 379,138	5/1997	Carlson	D7/629
D. 381,560	7/1997	Indekeu	D7/538
D. 381,864	8/1997	Feer	D7/392.1
D. 388,325	12/1997	Tucker et al.	D9/425
D. 389,012	1/1998	Miller	D7/391
D. 390,109	2/1998	Tucker et al.	D9/425
D. 390,422	2/1998	Daenen et al.	D7/615
3,424,342	1/1969	Scopp et al.	.
3,447,714	6/1969	Elliot	.
3,448,888	6/1969	Smith et al.	.
3,452,896	7/1969	Elliot	.
3,526,334	9/1970	Ashton et al.	.
3,773,207	11/1973	Dokoupil et al.	.
3,957,097	5/1976	Swett	150/0.5
4,209,126	6/1980	Elias	.
4,341,324	7/1982	Ramirez	220/306
4,412,630	11/1983	Daenen	220/353
4,471,880	9/1984	Taylor et al.	220/306
4,499,998	2/1985	Carlson	206/541
4,687,117	8/1987	Terauds	220/306
4,693,391	9/1987	Roth	220/359
4,700,842	10/1987	Grusin	206/508

4,795,056	1/1989	Meyers	220/306
4,809,868	3/1989	Pomroy	220/260
5,065,889	11/1991	Conti	220/366
5,356,026	10/1994	Andress et al.	220/306
5,377,860	1/1995	Littlejohn et al.	220/306

OTHER PUBLICATIONS

Packaging, Lids; Anchor Hocking Plastics, a Member of the Newell Group, P.O. Box 64610, St. Paul, Minnesota 55164. Publication date 1994.

Catalog page; Lids; Anchor Hocking Plastics, a Member of the Newell Group, P.O. Box 64610, St. Paul, Minnesota 55164. Publication date 1992.

Digitized photograph of product, Lid; Anchor Hocking Plastics, a Member of the Newell Group, P.O. Box 64610, St. Paul, MN 55164. Published at least as early as May, 1998.

P. 37, Lids; Anchor Hocking Plastics, a Member of the Newell Group, P. O. Box 64610, St. Paul, Minnesota 55164. Publication date Jan., 1995.

P. 12, Lids; Tucker Housewares, 25 Tucker Drive, Leominster, Massachusetts 01453. Publication date 1993.

Catalog page, Lids; Eagle Affiliates Inc., 101-01 Avenue D, Brooklyn, New York 11236. Publication date 1992.

P. 17, Lids; Injecta Plastics, B.P. 99, 01103 Oyonnax, Cedex, France. Publication date 1995.

Pp. 12 and 13, Lids; Curver, Fliethstrasse 67, Postfach 665, The Netherlands. Publication date 1992.

Pp. 20 and 23, Lids; Dupol-Rubbermaid GmbH, An der Trift 63, D-6072 Dreieich, Germany. Publication date 1989.

P. 12, Lids; Rubbermaid Incorporated, 1147 Akron Road, Wooster, Ohio 44691. Publication date 1986.

Catalog page, Lids; Rubbermaid Incorporated, 1147 Akron Road, Wooster, Ohio 44691. Publication date 1991.

Catalog page, Lids; Rubbermaid Incorporated, 1147 Akron Road, Wooster, Ohio 44691. Publication date 1992.

Catalog page, Lids; Rubbermaid Incorporated, 1147 Akron Road, Wooster, Ohio 44691. Publication date 1995.

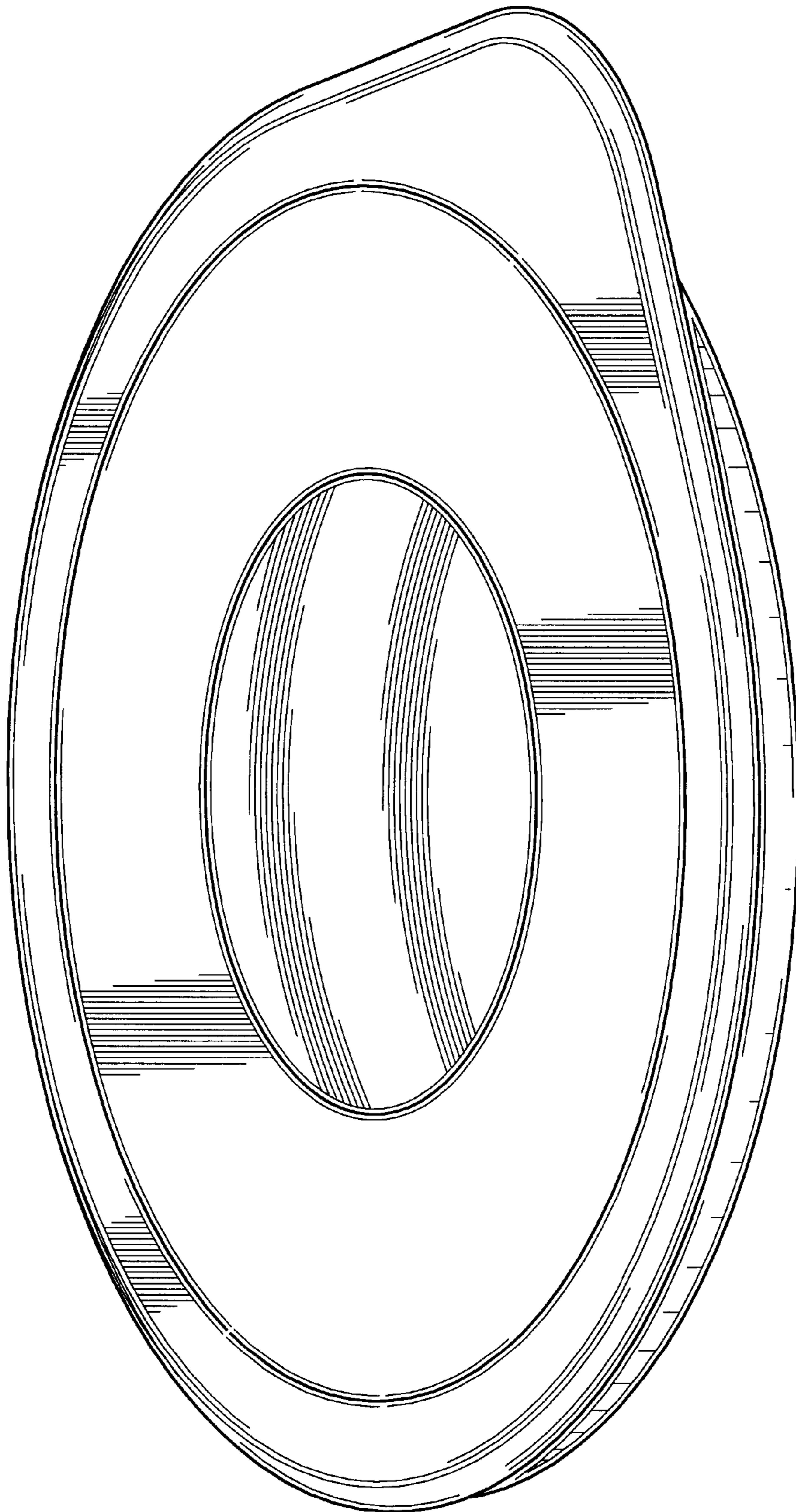


FIG. 1

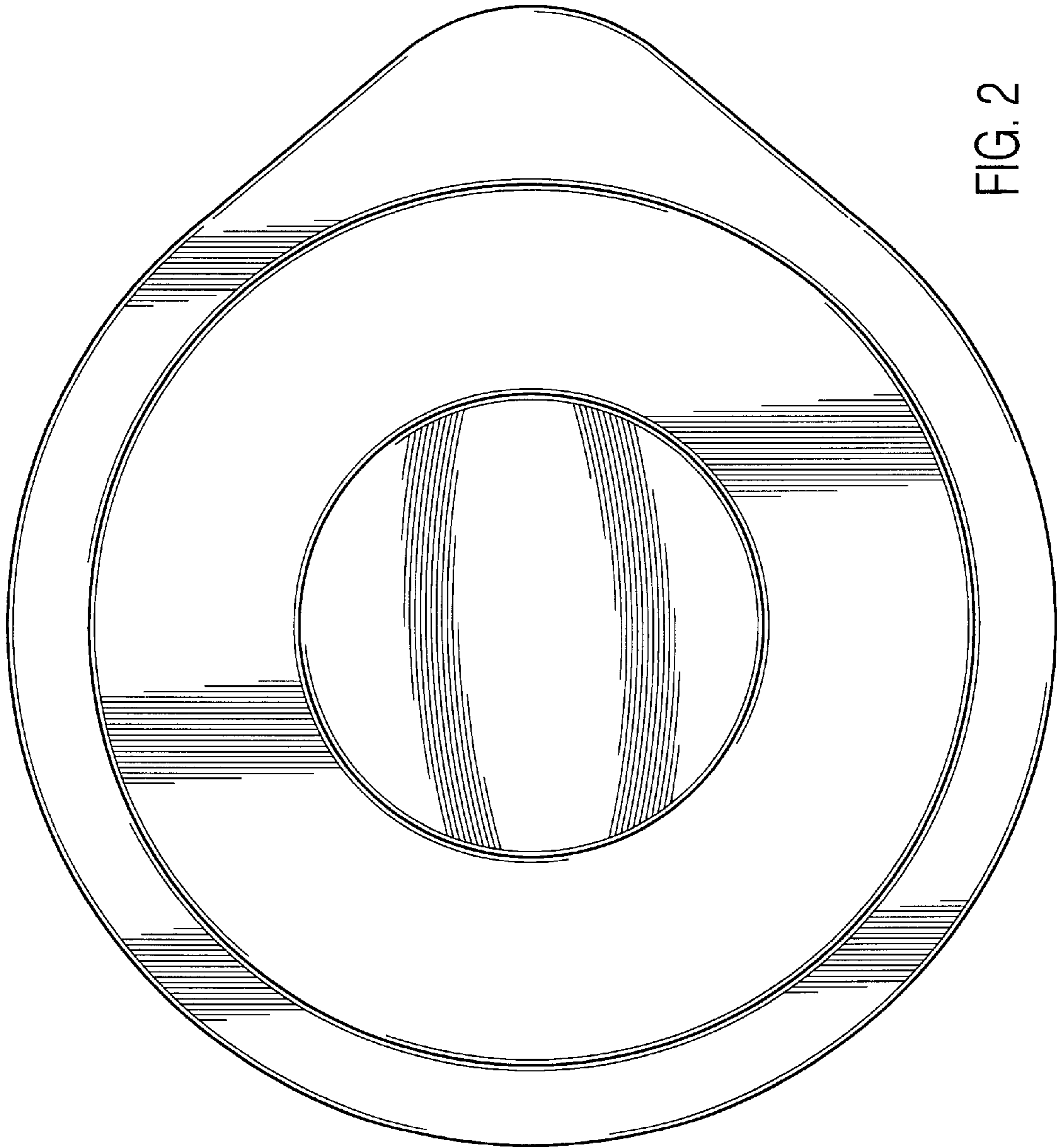


FIG. 2



FIG. 3

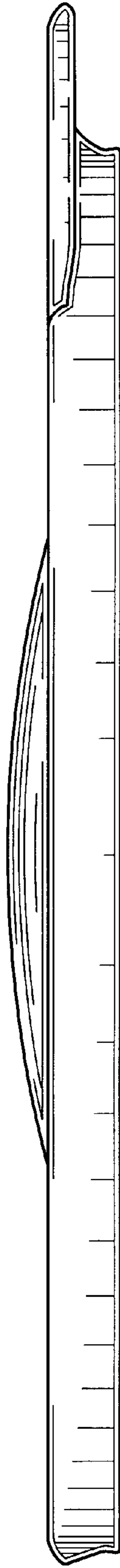


FIG. 4

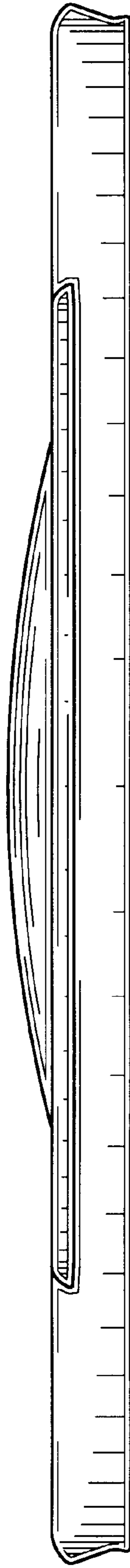


FIG. 5

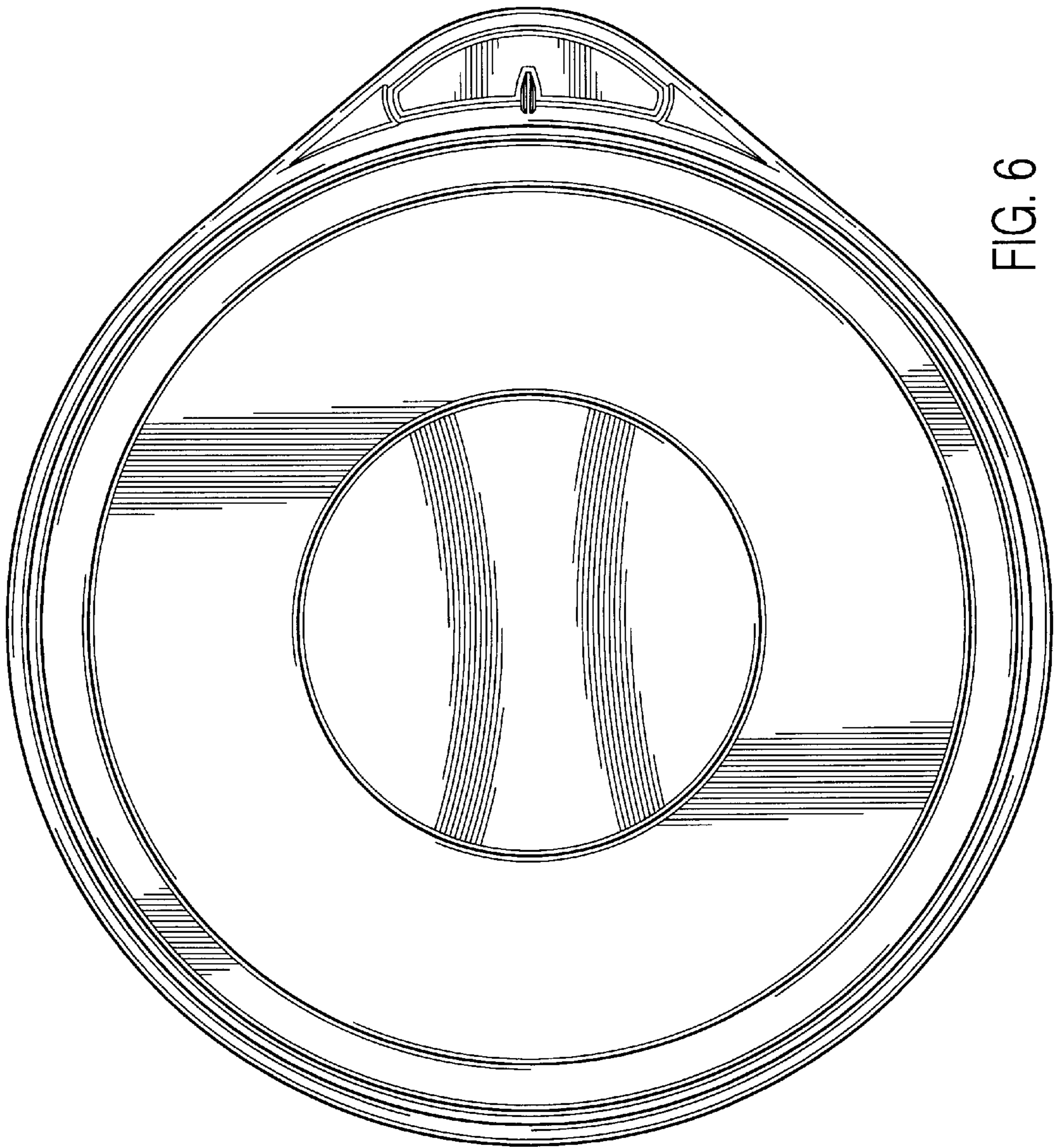


FIG. 6