



US00D417814S

United States Patent [19] Huang

[11] Patent Number: Des. 417,814

[45] Date of Patent: ** Dec. 21, 1999

[54] VACUUM FLASK

[76] Inventor: Frank Teh-Hsiung Huang, Suite 804,
8 Fl., No. 128, Sec. 3, Ming-Sheng E.
Rd., Taipei, Taiwan

[**] Term: 14 Years

[21] Appl. No.: 29/087,611

[22] Filed: May 6, 1998

[51] LOC (6) Cl. 07-01

[52] U.S. Cl. D7/319; D7/318; D7/317

[58] Field of Search D7/598, 600, 590,
D7/312, 316, 317, 318, 319, 321, 322;
99/289 R, 295, 279; 210/479; 222/454,
465.1, 467

[56] **References Cited**

U.S. PATENT DOCUMENTS

D. 281,570	12/1985	Zimmermann	D7/321
D. 337,235	7/1993	Huang	D7/317
D. 369,714	5/1996	Huang	D7/319

D. 386,934	12/1997	Huang	D7/319
D. 394,981	6/1998	Huang	D7/319
D. 394,982	6/1998	Huang	D7/319
D. 395,576	6/1998	Huang	D7/319
D. 396,377	7/1998	Tamura	D7/319
D. 405,640	2/1999	Saltet	D7/319

Primary Examiner—M. N. Pandozzi
Attorney, Agent, or Firm—Bacon & Thomas

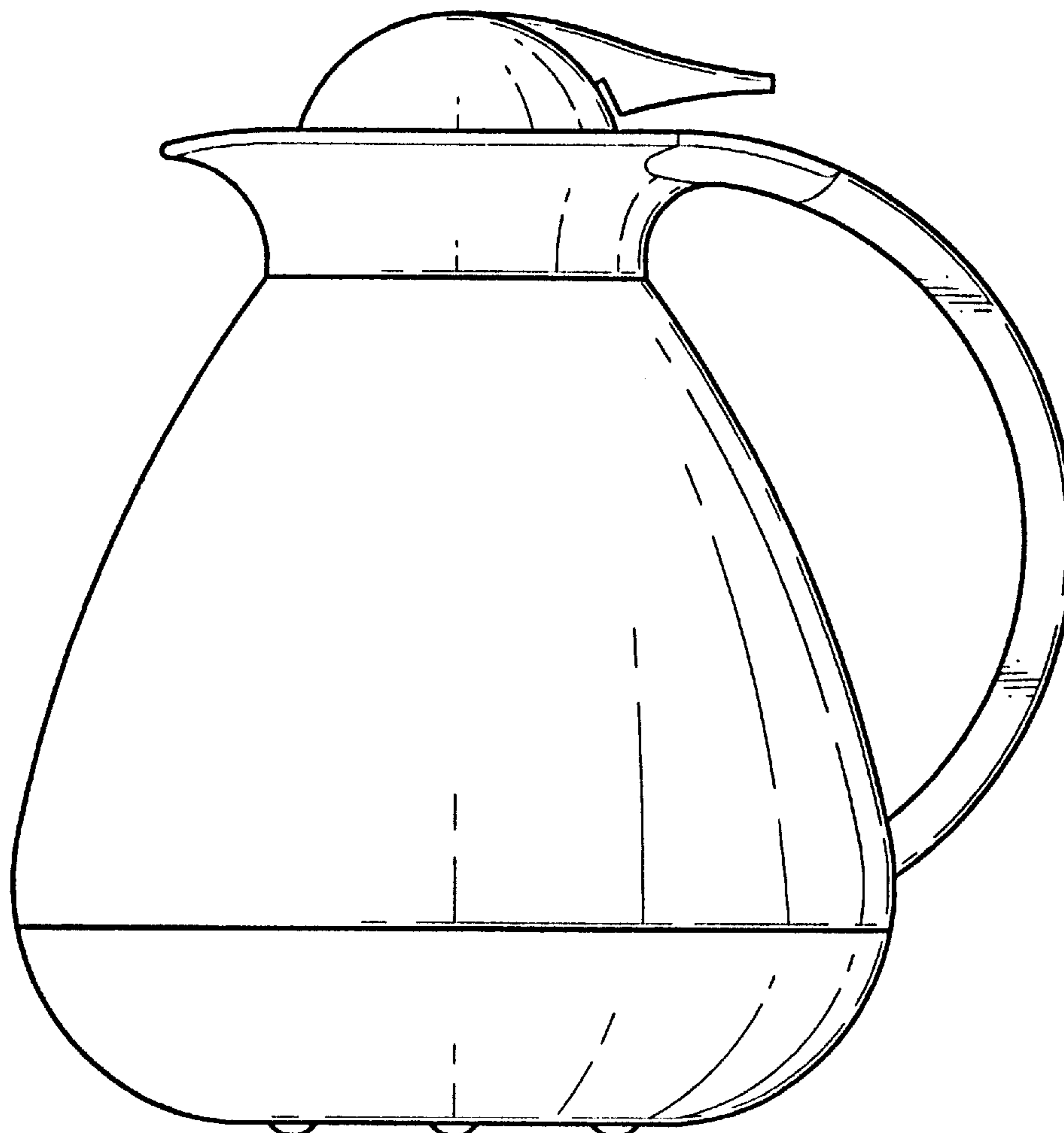
[57] **CLAIM**

The ornamental design for vacuum flask, as shown and described.

DESCRIPTION

FIG. 1 is a perspective view of vacuum flask showing my new design thereof;
FIG. 2 is a front elevational view and the rear elevational view being a mirror image thereof;
FIG. 3 is a left side elevational view thereof;
FIG. 4 is a right elevational view thereof;
FIG. 5 is a top plan view thereof; and,
FIG. 6 is a bottom plan view thereof.

1 Claim, 5 Drawing Sheets



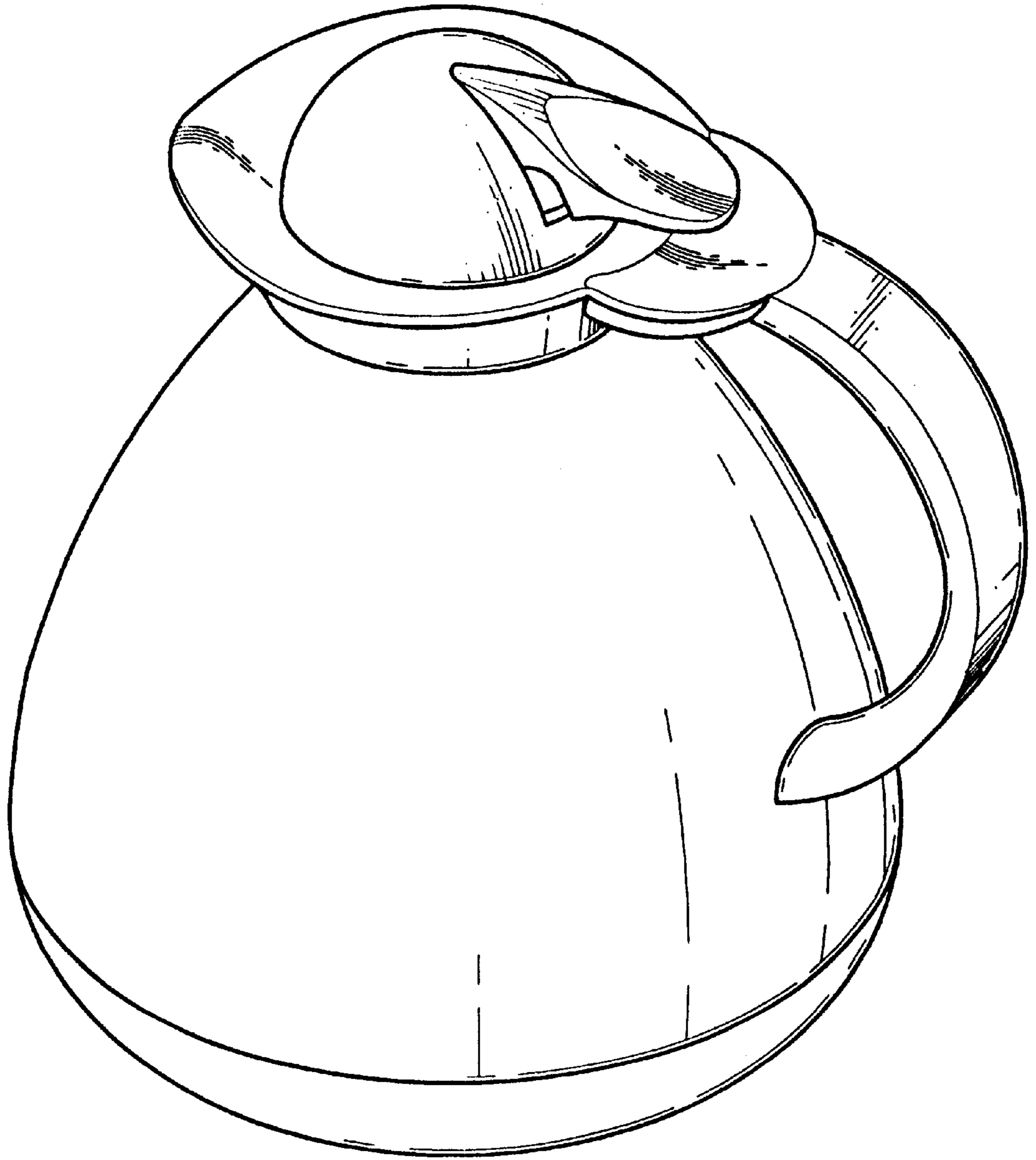


Fig. 1

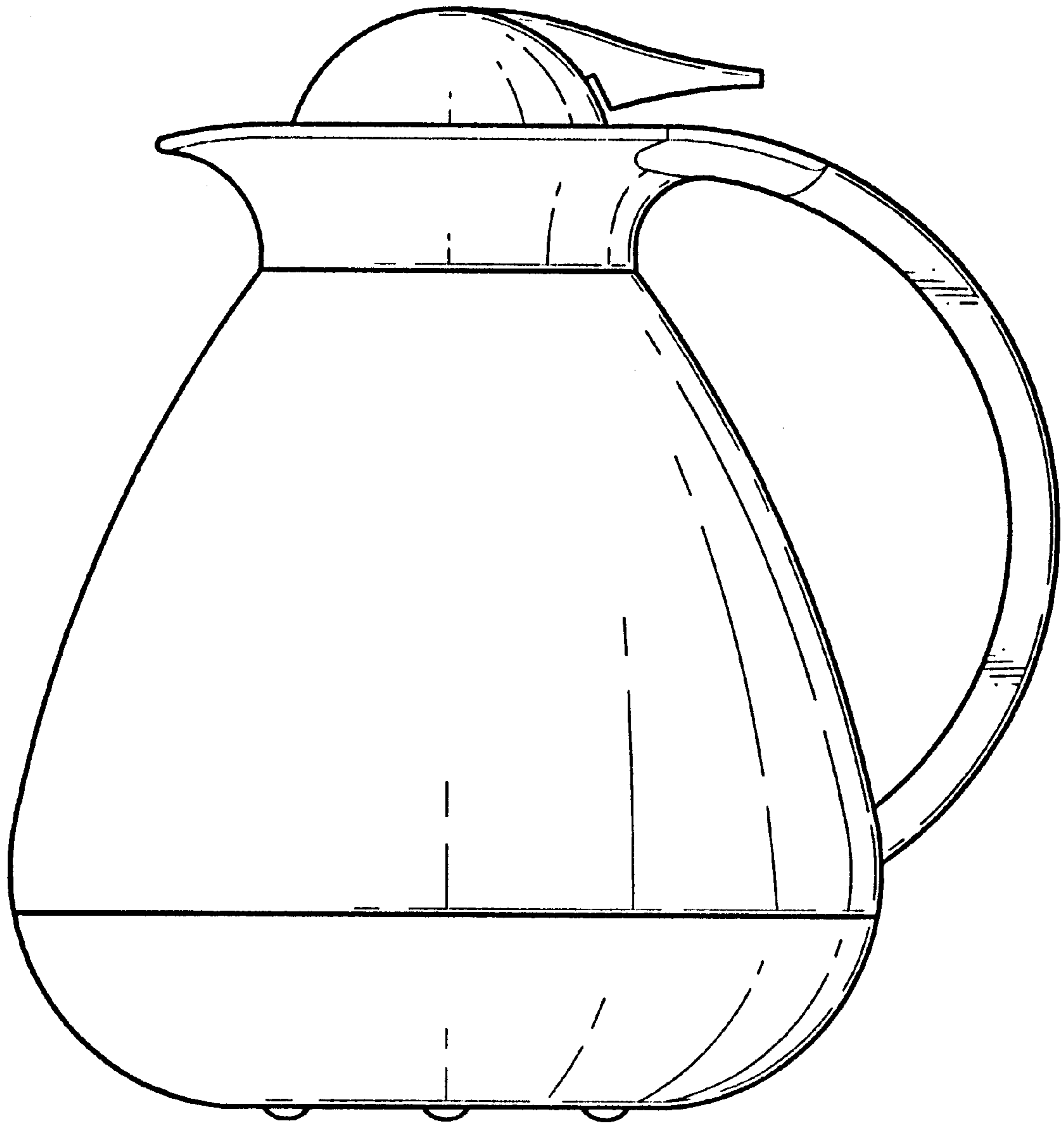


Fig. 2

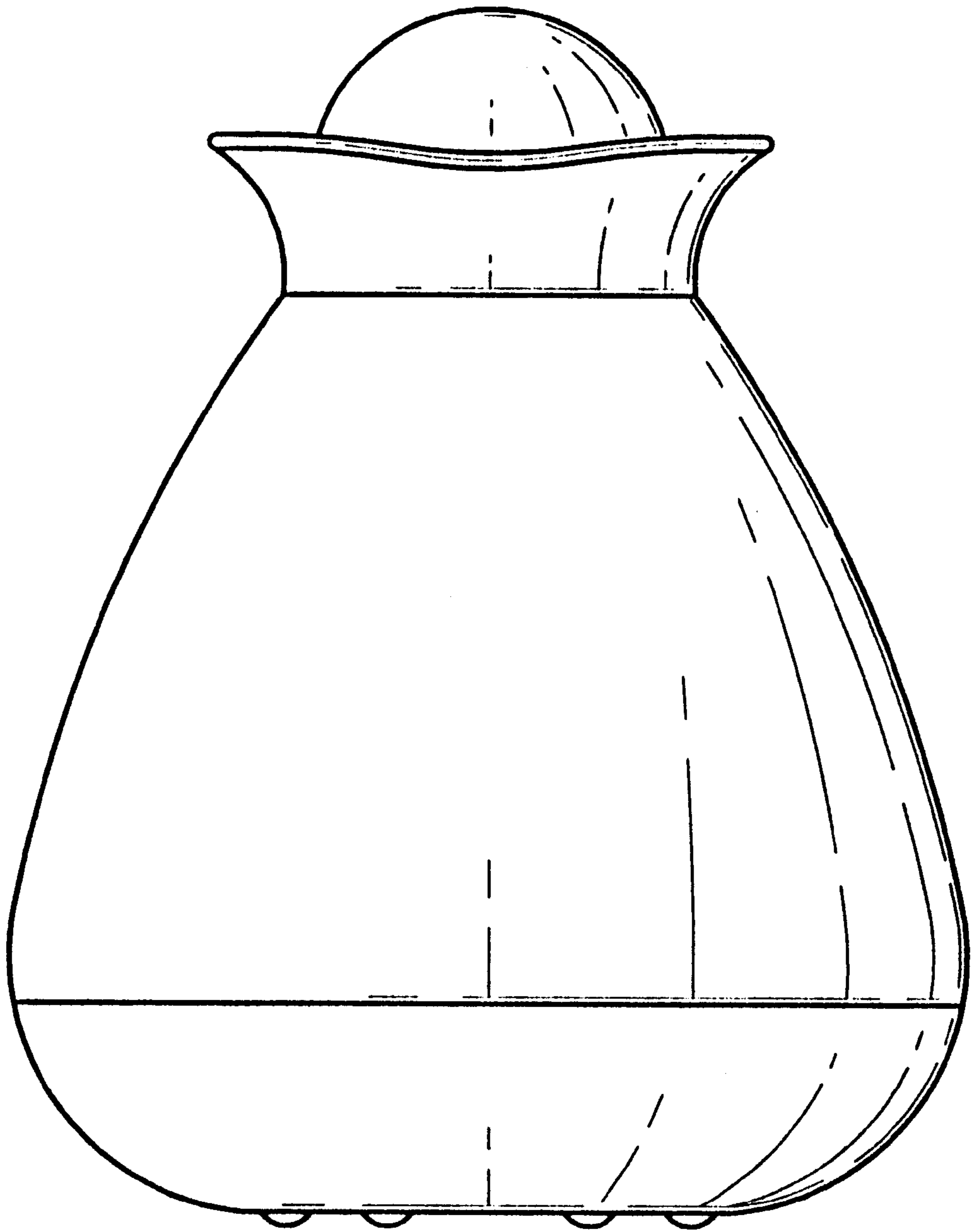


Fig. 3

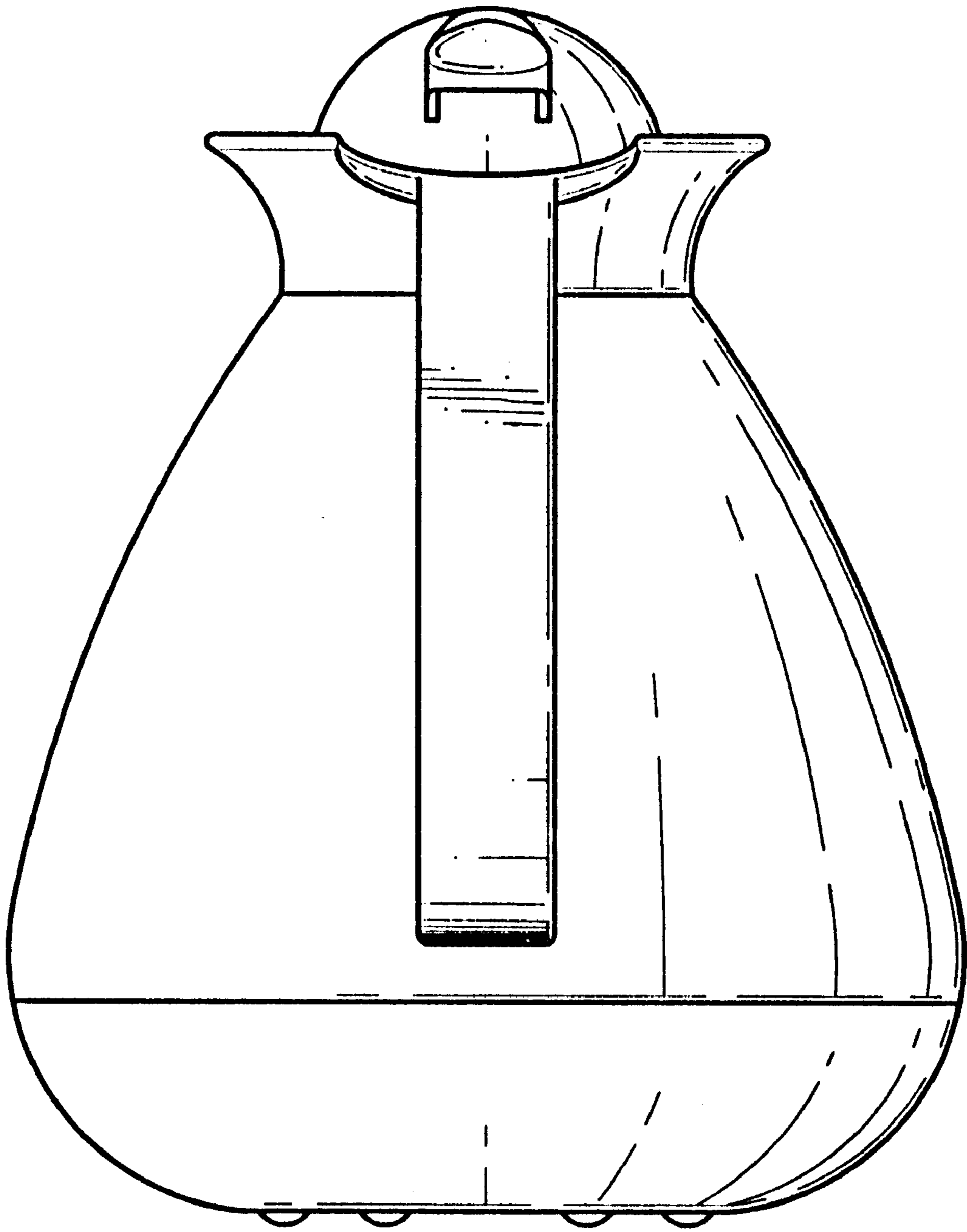


Fig. 4

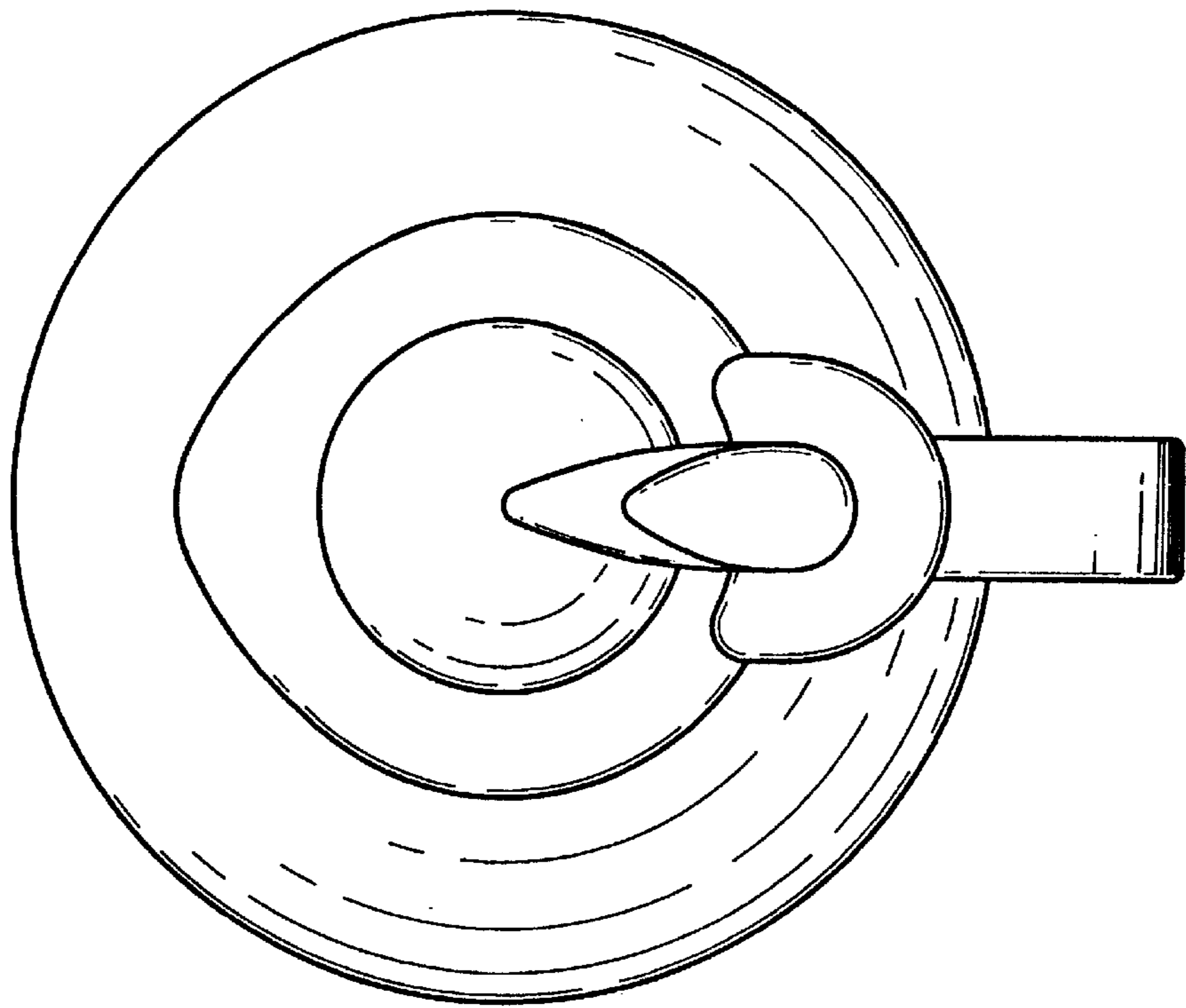


Fig. 5

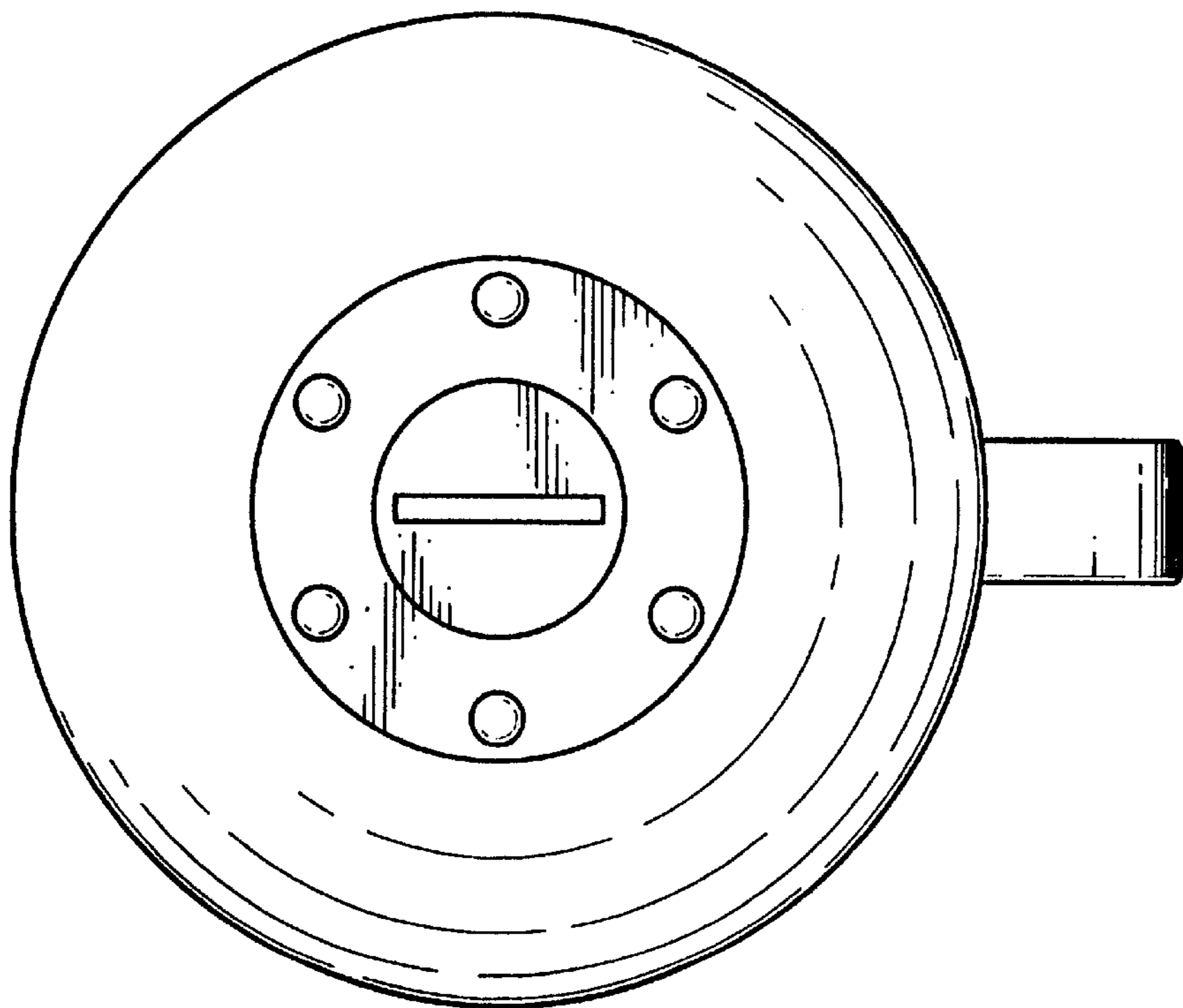


Fig. 6