



US00D417813S

United States Patent [19]

Cheris et al.

[11] **Patent Number: Des. 417,813**

[45] **Date of Patent: ** Dec. 21, 1999**

[54] **STORAGE CONTAINER FOR COMPACT DISCS, CD-ROMS, AND DISCS**

5,454,633 10/1995 Nemeth 312/9.54

OTHER PUBLICATIONS

[75] Inventors: **Albert B. Cheris**, Highland Park;
Mark Dziarsk, Chicago, both of Ill.

Tenex Corporation MEDIAWORX Catalog © 1995.
USSN 29/068,557, Filed Apr. 1, 1997 for File Box Allowed
Aug. 18, 1997.

[73] Assignee: **Tenex Corporation**, Elk Grove Village,
Ill.

USSN 29/075,293 filed Aug. 29, 1997 for Tote.

[**] Term: **14 Years**

Primary Examiner—Doris V. Coles
Assistant Examiner—Linda Brooks
Attorney, Agent, or Firm—Cook, Alex, McFarron, Manzo,
Cummings & Mehler

[21] Appl. No.: **29/079,111**

[22] Filed: **Nov. 10, 1997**

[57] CLAIM

[51] **LOC (6) Cl.** **06-04**

The ornamental design for a storage container for compact discs, CD-ROMs, and discs, as shown and described.

[52] **U.S. Cl.** **D6/632**

[58] **Field of Search** D6/407, 475, 476,
D6/432, 445, 446, 626-635; D3/273, 294;
206/307.1, 307, 308.1-308.3, 457, 551;
312/9.1, 9.9, 9.47, 9.48, 9.51-9.55, 9.64;
D19/75, 76

DESCRIPTION

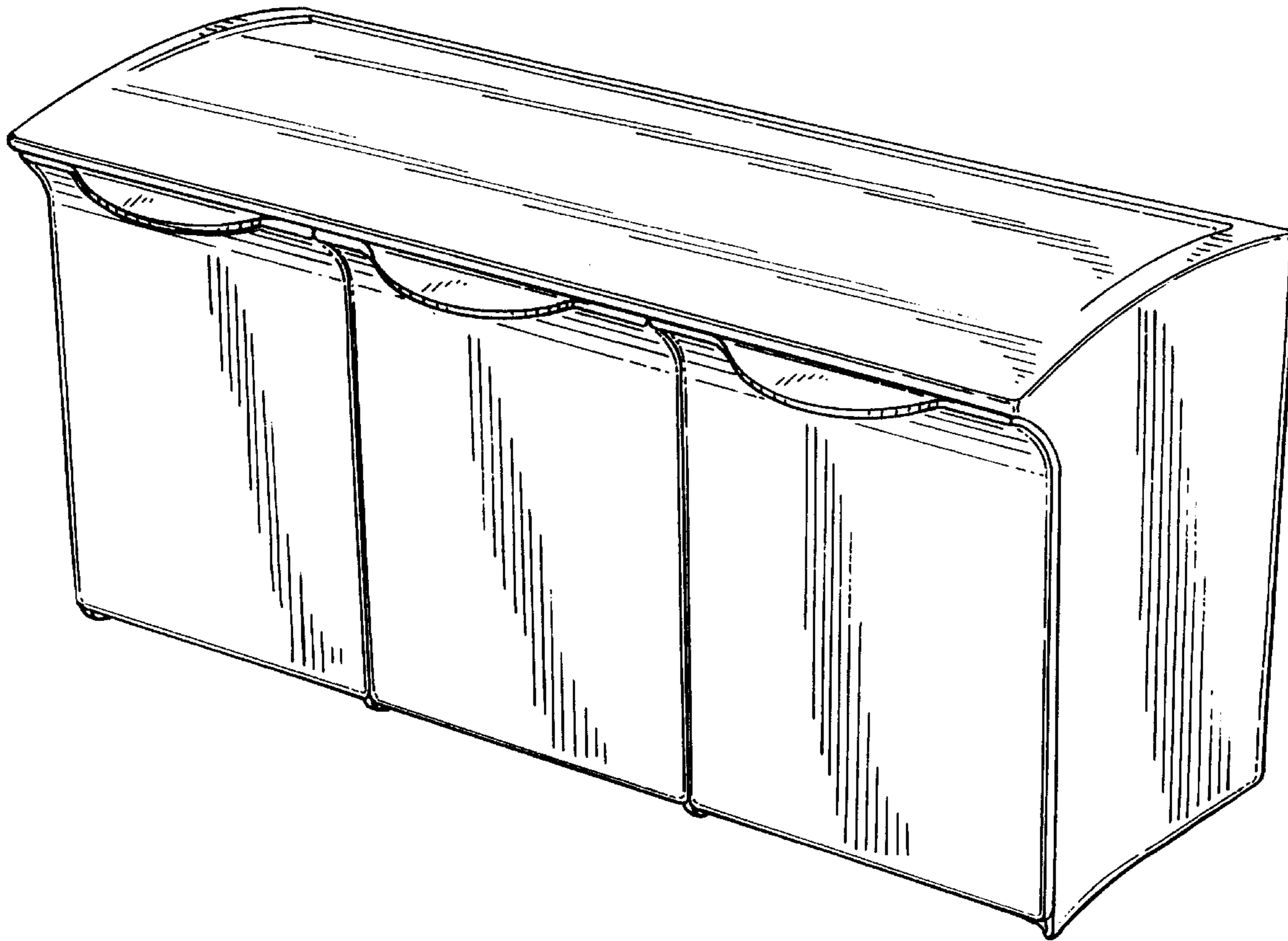
[56] References Cited

U.S. PATENT DOCUMENTS

- D. 328,313 7/1992 Evenson et al. D19/75
- D. 390,265 2/1998 Cheris et al. .
- D. 394,280 5/1998 Cheris et al. D19/75
- 2,724,595 11/1955 Amann .

FIG. 1 is a perspective view of a storage container for compact discs, CD-ROMs, and discs showing our new design;
FIG. 2 is a front elevational view thereof;
FIG. 3 is an elevational view of one side thereof, the opposite side being a mirror image thereof;
FIG. 4 is a top plan view thereof;
FIG. 5 is a bottom plan view thereof; and,
FIG. 6 is a rear elevational view thereof.

1 Claim, 4 Drawing Sheets



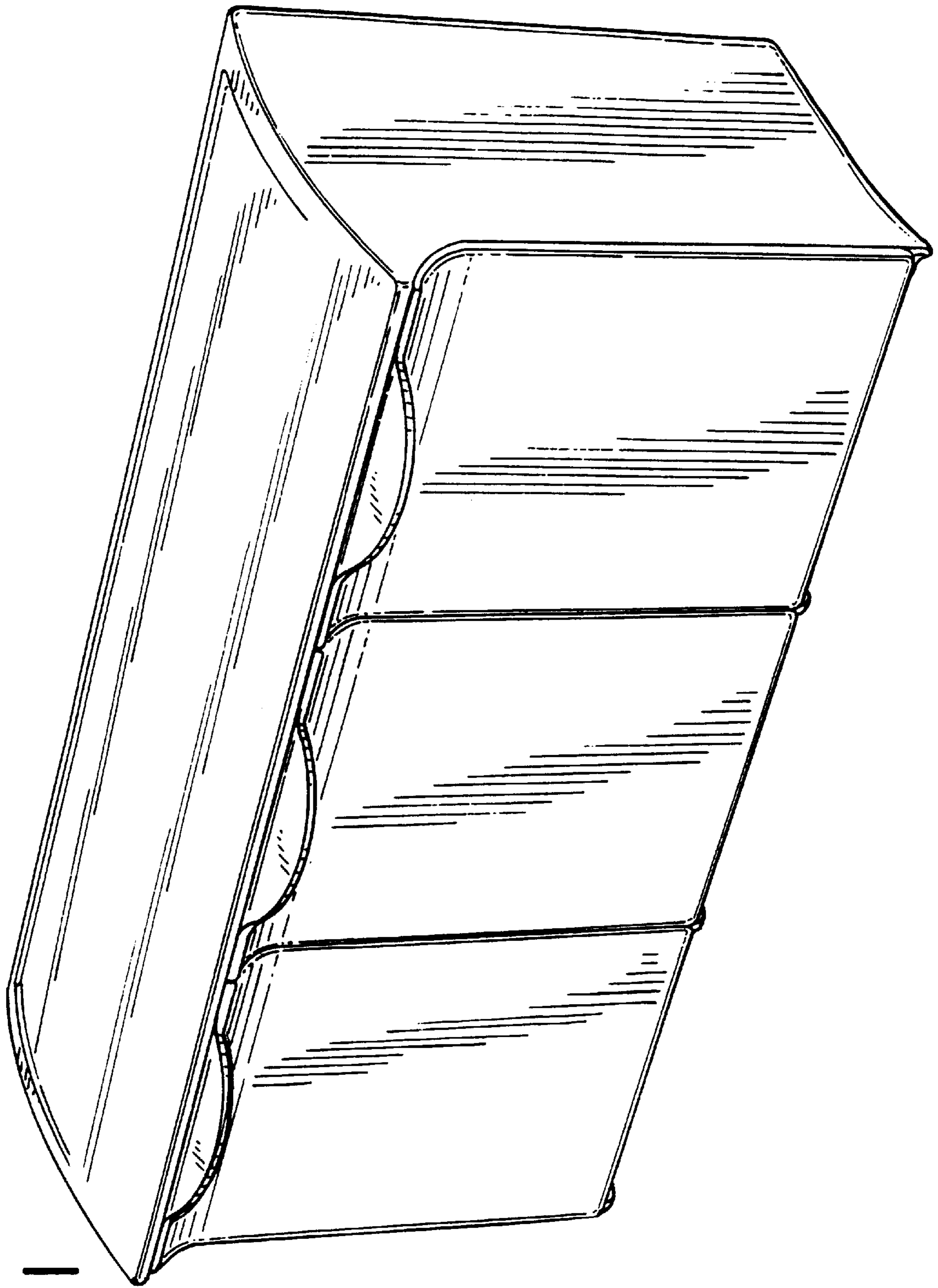


FIG. 1

FIG. 2

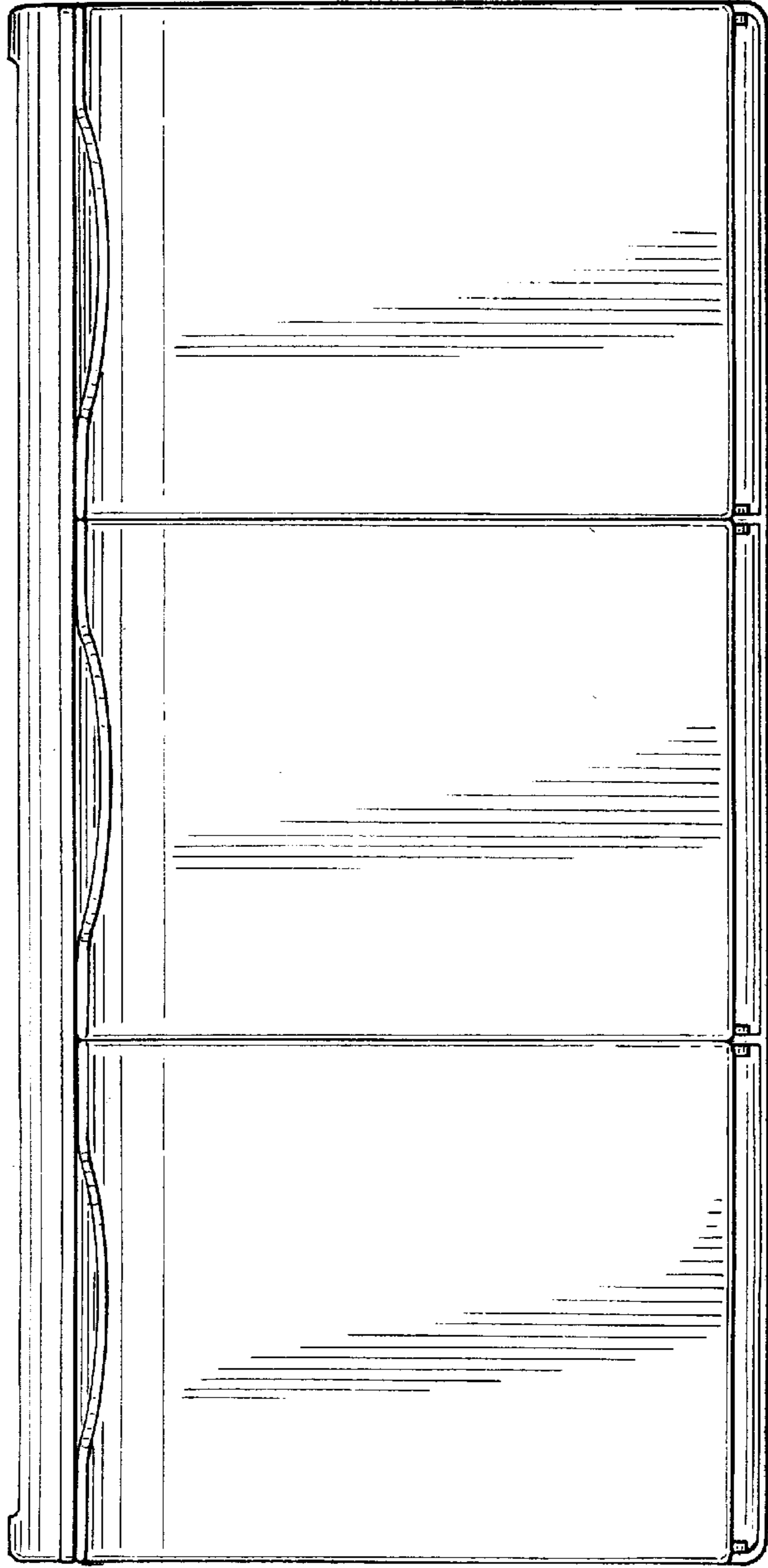
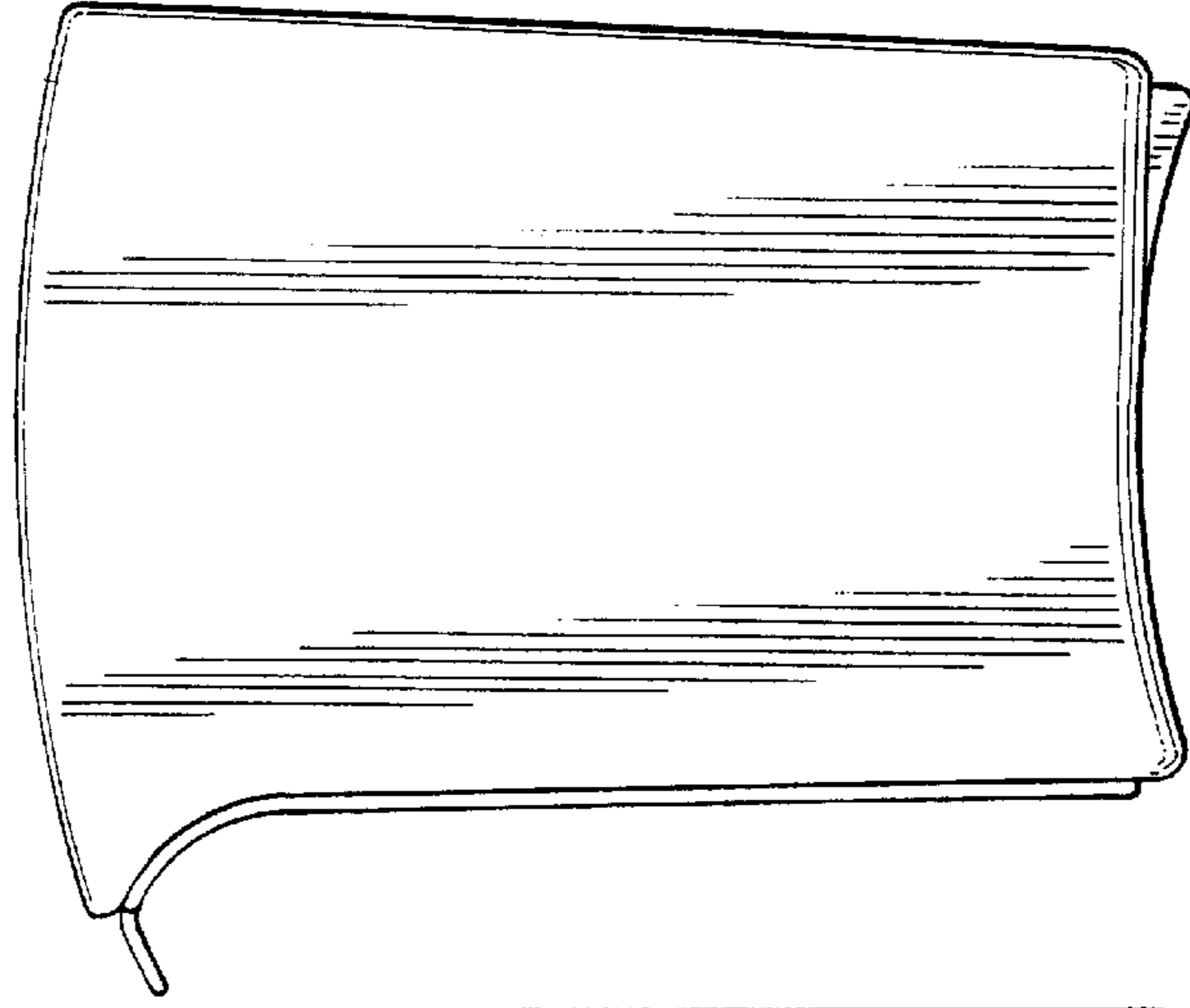


FIG. 3



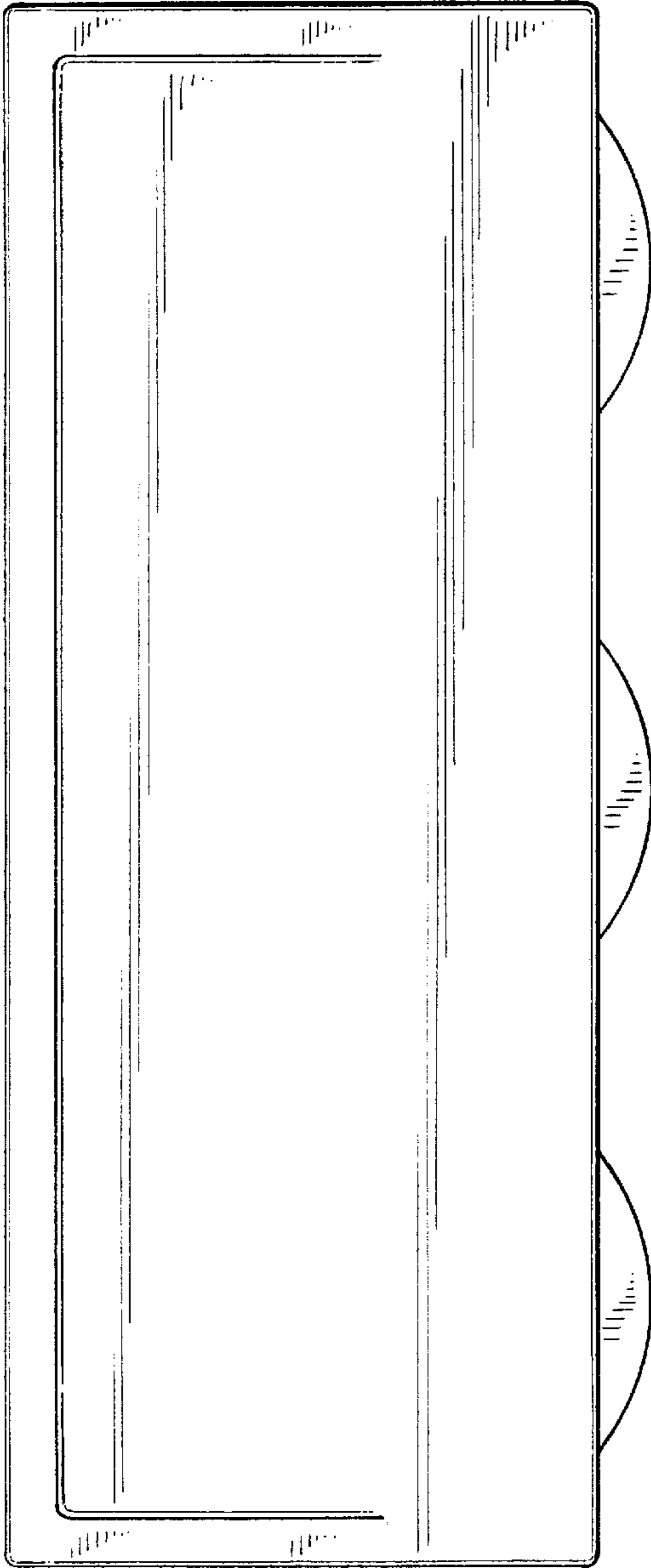


FIG. 4

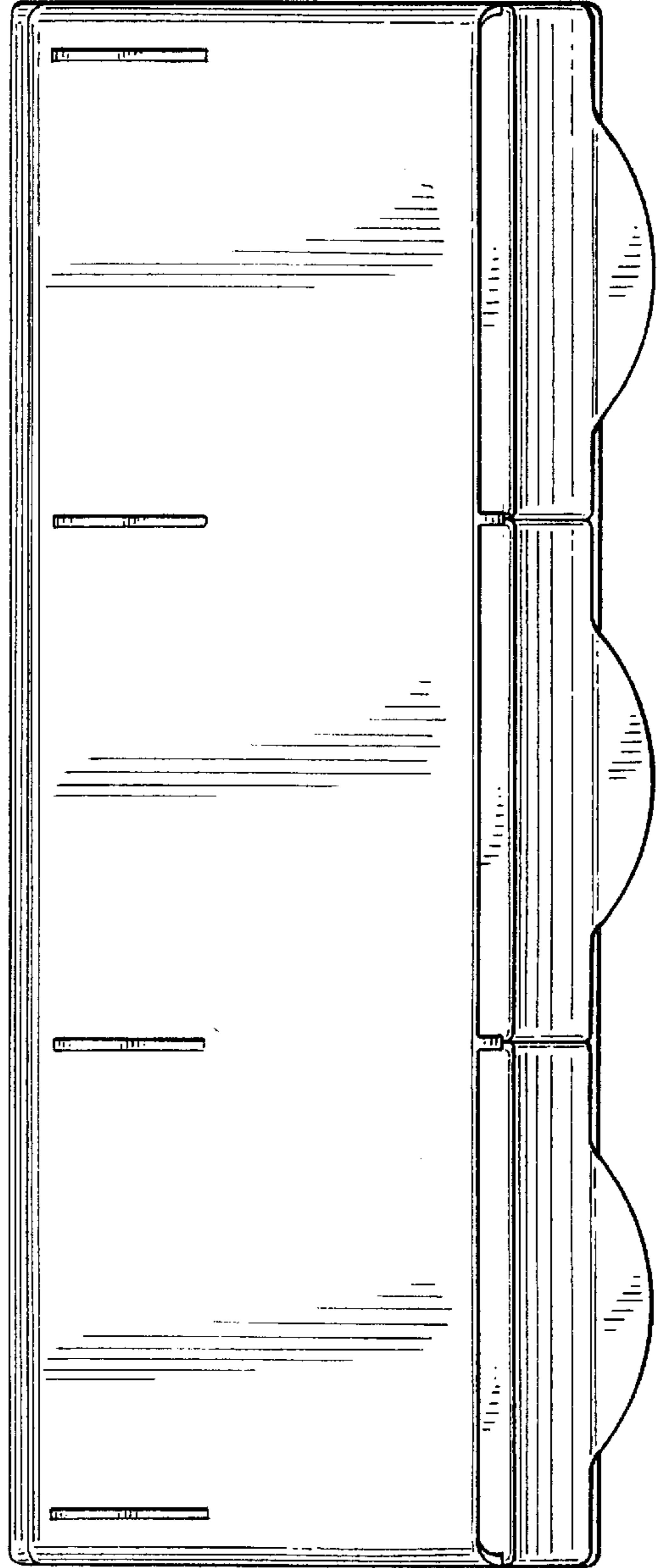


FIG. 5

FIG. 6

