



US00D417810S

United States Patent [19] Murray

[11] Patent Number: **Des. 417,810**

[45] Date of Patent: **** *Dec. 21, 1999**

[54] **THEATER SEAT GARMENT-SUPPORTING APPARATUS WITH FLEXIBLE STRAP**

[76] Inventor: **Russell K. Murray**, 302 Paterson Plank Rd., Jersey City, N.J. 07307

[*] Notice: This patent is subject to a terminal disclaimer.

[**] Term: **14 Years**

[21] Appl. No.: **29/055,029**

[22] Filed: **May 28, 1996**

[51] **LOC (6) Cl.** **06-04**

[52] **U.S. Cl.** **D6/553; 150/107; D12/133; D3/243**

[58] **Field of Search** D6/512, 552, 553, D6/546, 549, 550; D12/133, 416-417; D8/349, 1; 16/110 R, 110.5, 114 R; 211/13, 86-87, 123-124, 181, 182; 248/229.1, 251, 302, 231.8; D3/309, 243; 224/619; 150/107; 190/115-116

[56] **References Cited**

U.S. PATENT DOCUMENTS

- D. 268,237 3/1983 Simon D6/533 X
- D. 332,729 1/1993 Sessions D8/349 X
- D. 351,305 10/1994 Law D6/567
- D. 373,750 9/1996 Gunderson D12/133

- 1,916,509 7/1933 Hammer D6/512 X
- 2,366,085 12/1944 Brothers D6/512 X
- 3,408,703 11/1968 Brandenburg 150/107 X
- 3,695,190 10/1972 Bucholz 211/188 X
- 4,763,763 8/1988 Sadow 190/115
- 4,799,521 1/1989 Shick 150/107
- 5,104,076 4/1992 Goodall, Jr. D6/567 X
- 5,429,335 7/1995 Cunningham 248/229.1

Primary Examiner—Pamela Burgess

[57] **CLAIM**

The ornamental design for a theater seat garment-supporting apparatus with flexible strap, as shown and described.

DESCRIPTION

FIG. 1 is a front elevational view of the theater seat garment-supporting apparatus with flexible strap showing my new design;
 FIG. 2 is a rear elevational view thereof;
 FIG. 3 is a left side elevational view;
 FIG. 4 is a right side elevational view;
 FIG. 5 is a top plan view thereof; and
 FIG. 6 is a bottom plan view thereof; and,
 FIG. 7 is an isometric view of the theater seat garment-supporting apparatus with flexible strap mounted to the back of a theater seat which is shown in broken lines for illustrative purposes only and forms no part of the claimed design.

1 Claim, 3 Drawing Sheets

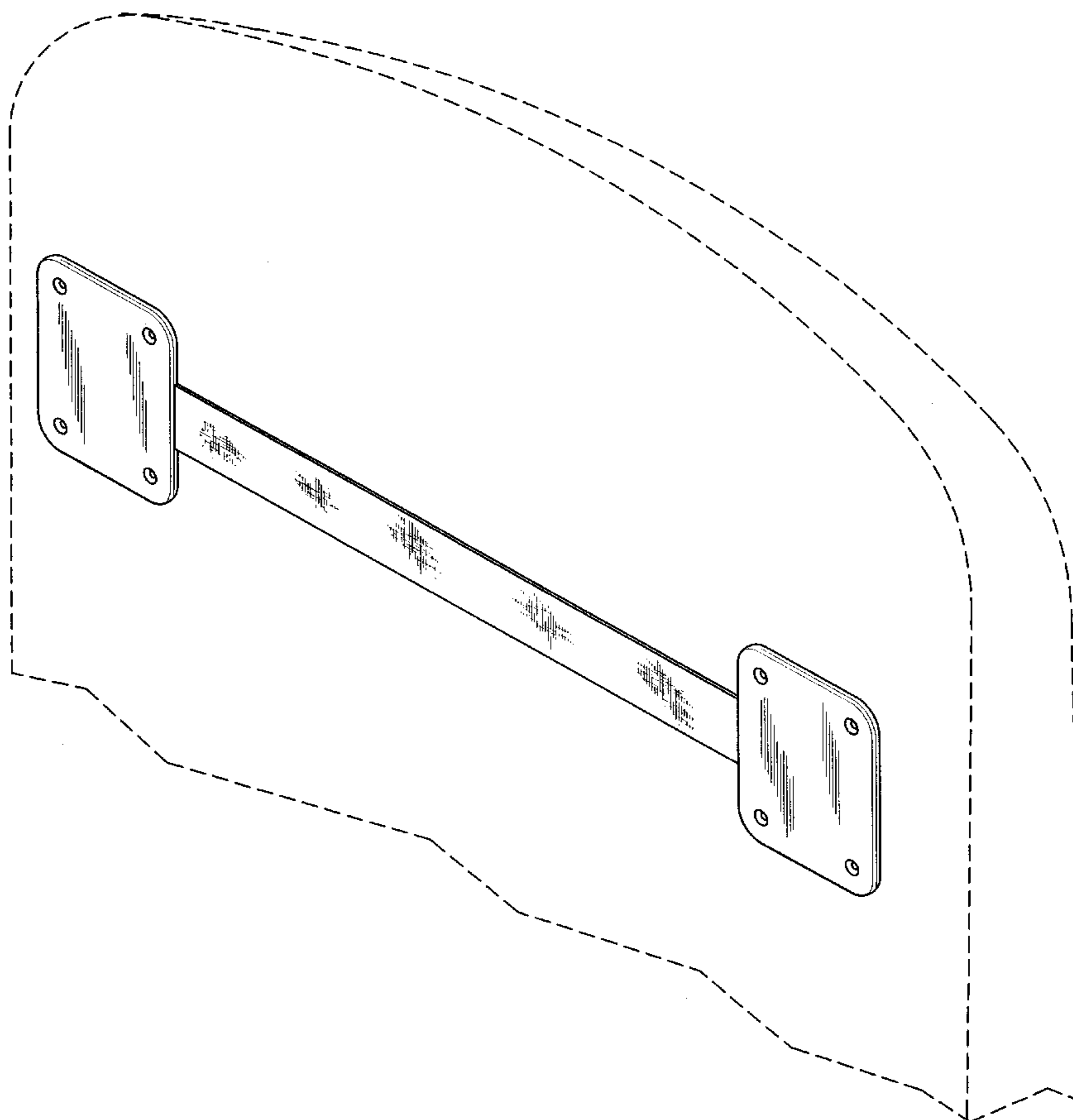


FIG. 1

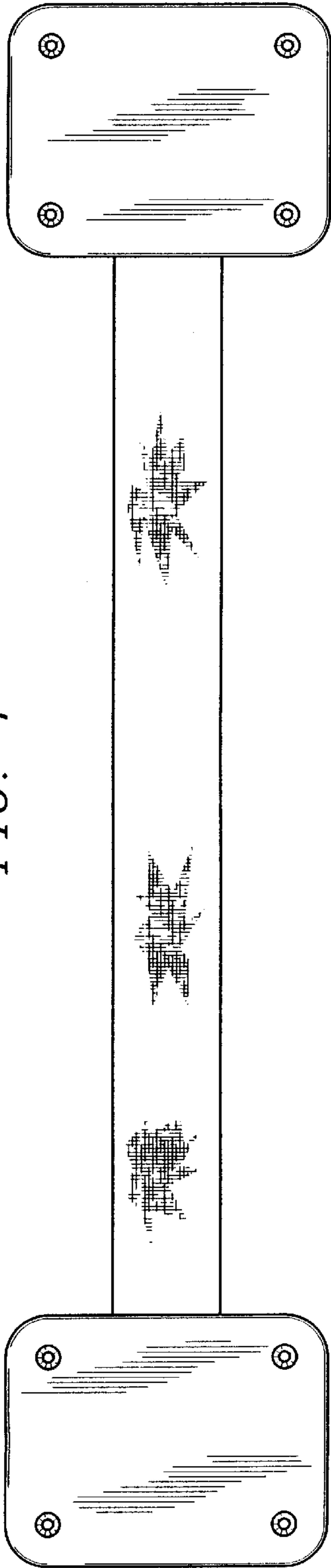


FIG. 2

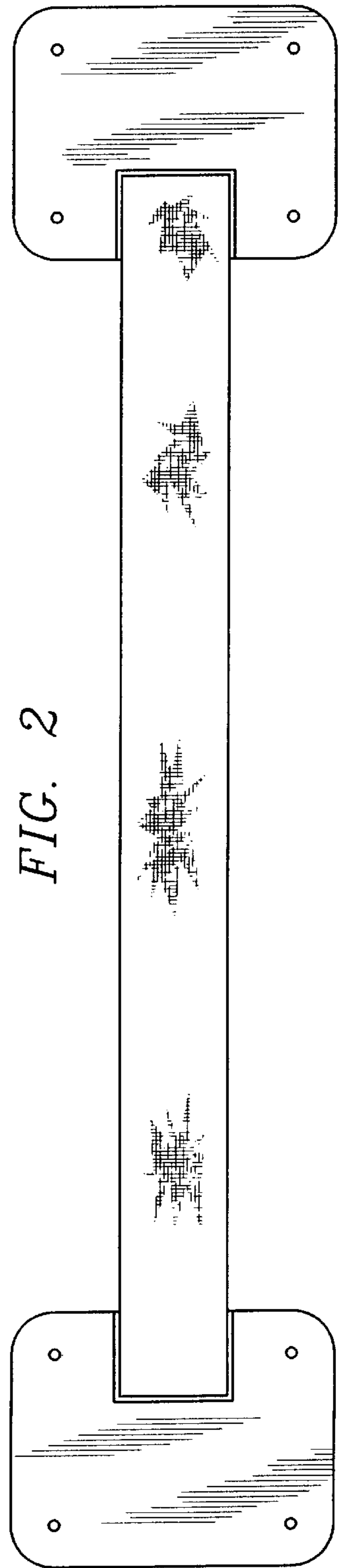


FIG. 4

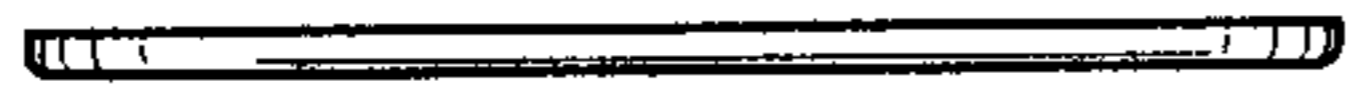


FIG. 3

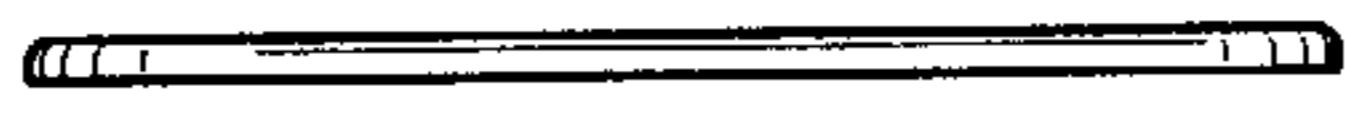


FIG. 5



FIG. 6



FIG. 7

