



US00D417807S

**United States Patent** [19]  
**McBarnette**

[11] **Patent Number: Des. 417,807**

[45] **Date of Patent: \*\* Dec. 21, 1999**

[54] **FENCE CADDY**

[76] Inventor: **Cathy McBarnette**, 174 Kingsberry Dr., Somerset, N.J. 08873

[\*\*] Term: **14 Years**

[21] Appl. No.: **29/091,062**

[22] Filed: **Jul. 22, 1998**

[51] **LOC (6) Cl. .... 08-08**

[52] **U.S. Cl. .... D6/513**

[58] **Field of Search** ..... D6/513, 552, 553;  
D8/349, 354, 367, 373; 248/200, 205.1,  
214, 220.2, 222.2, 309.1, 312, 315; 211/13.1,  
60.1, 70.6

[56] **References Cited**

**U.S. PATENT DOCUMENTS**

D. 266,382	10/1982	Hutchinson	.....	D6/513 X
D. 345,272	3/1994	Kelsoe	.....	D6/552
D. 356,002	3/1995	Morgan	.....	D6/513 X
D. 364,522	11/1995	Haug	.....	D6/513 X
4,953,817	9/1990	Mosteller	.....	248/222.2

*Primary Examiner*—Brian N. Vinson  
*Attorney, Agent, or Firm*—Friscia & Nussbaum

[57] **CLAIM**

The ornamental design for a fence caddy, as shown and described.

**DESCRIPTION**

FIG. 1 is a top, front, and left side perspective view of a fence caddy showing my new design;  
FIG. 2 is a front elevational view thereof;  
FIG. 3 is a right side elevational view thereof;  
FIG. 4 is a rear elevational view thereof;  
FIG. 5 is a top plan view thereof;  
FIG. 6 is a bottom plan thereof; and,  
FIG. 7 is a front, and left side perspective view of an alternate embodiment of a fence caddy showing my new design.

The broken-line disclosure of a portion of a chain-link fence in the views is for illustrative purposes only and forms no part of the claimed design.

**1 Claim, 3 Drawing Sheets**

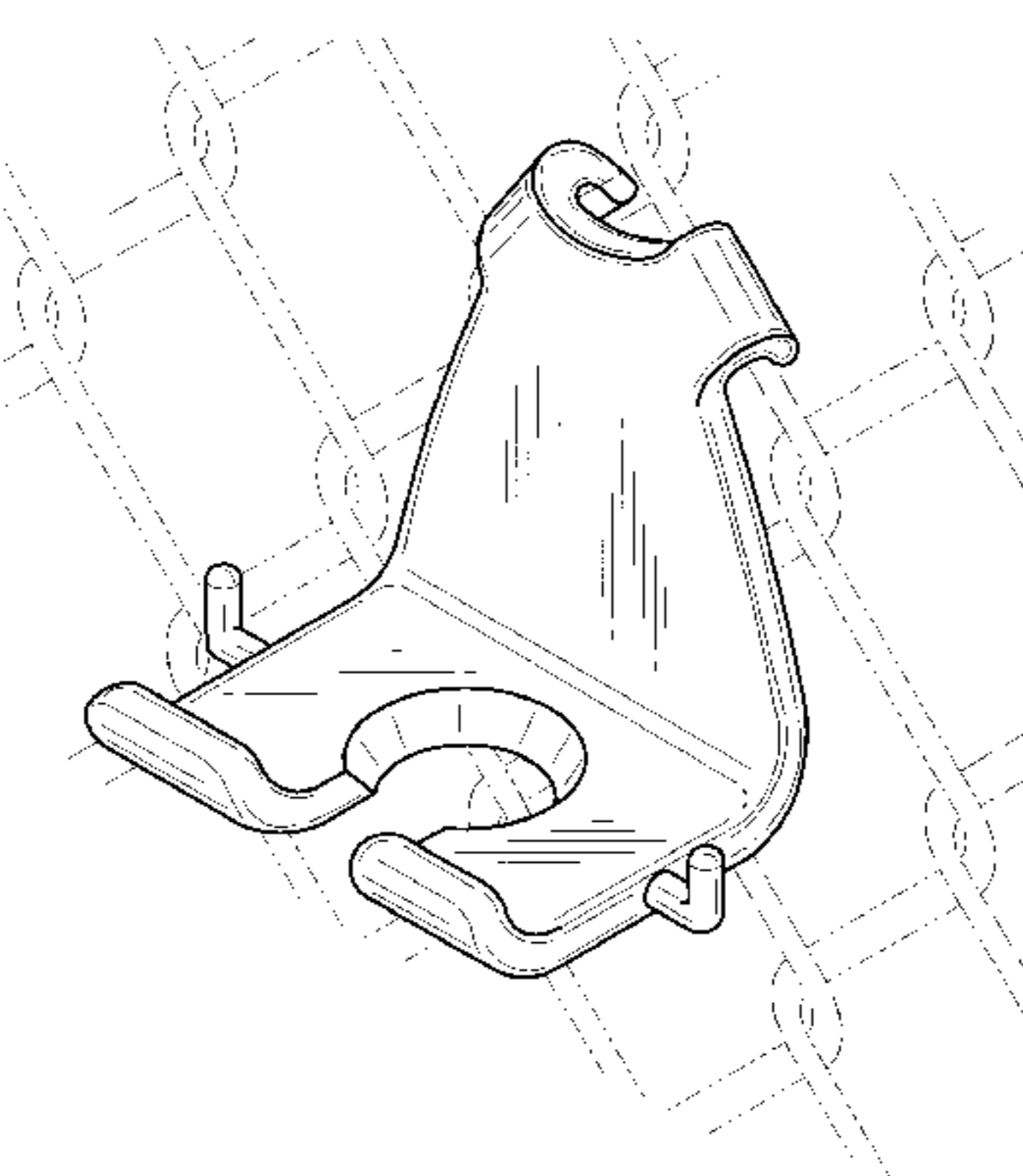
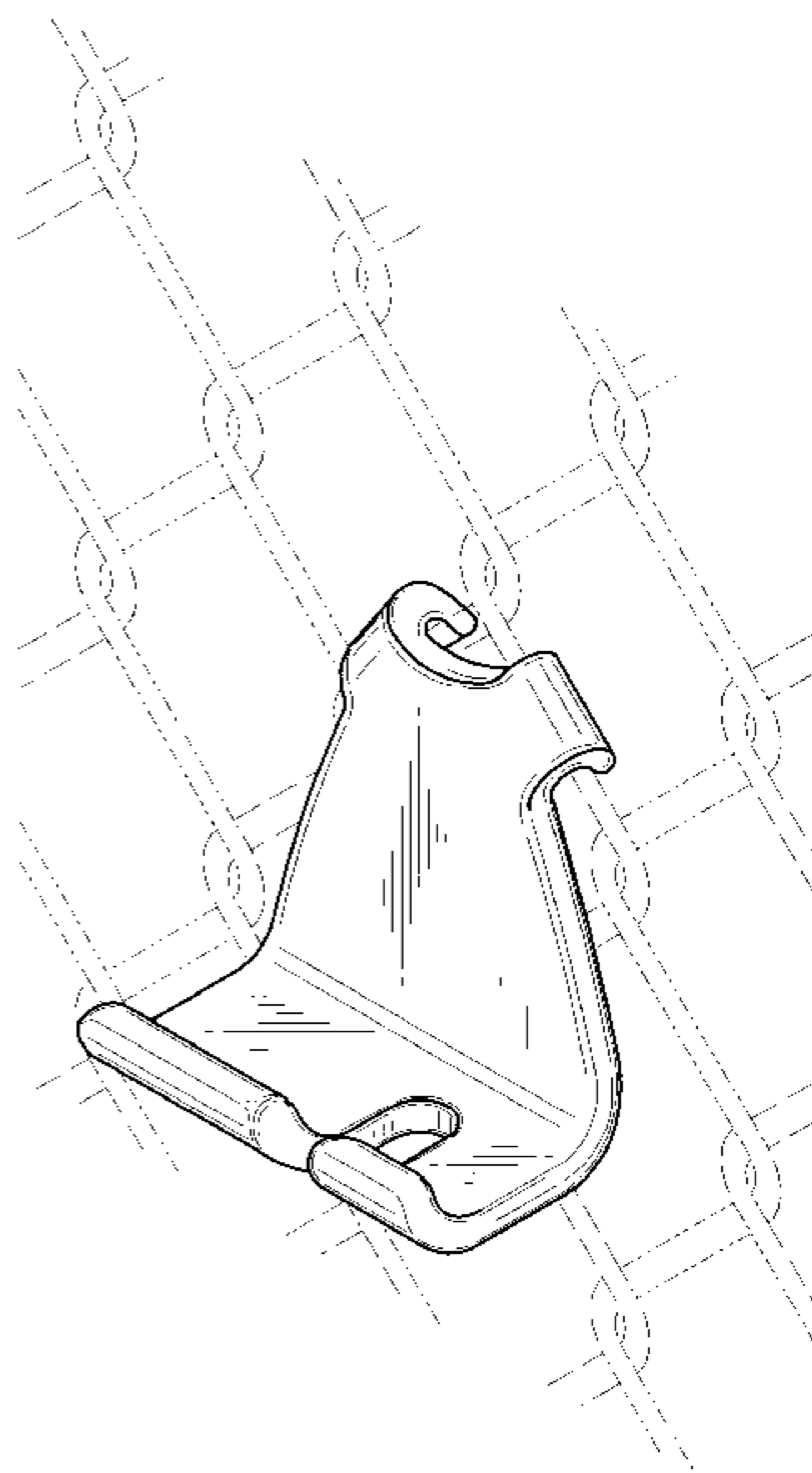


FIG. 1

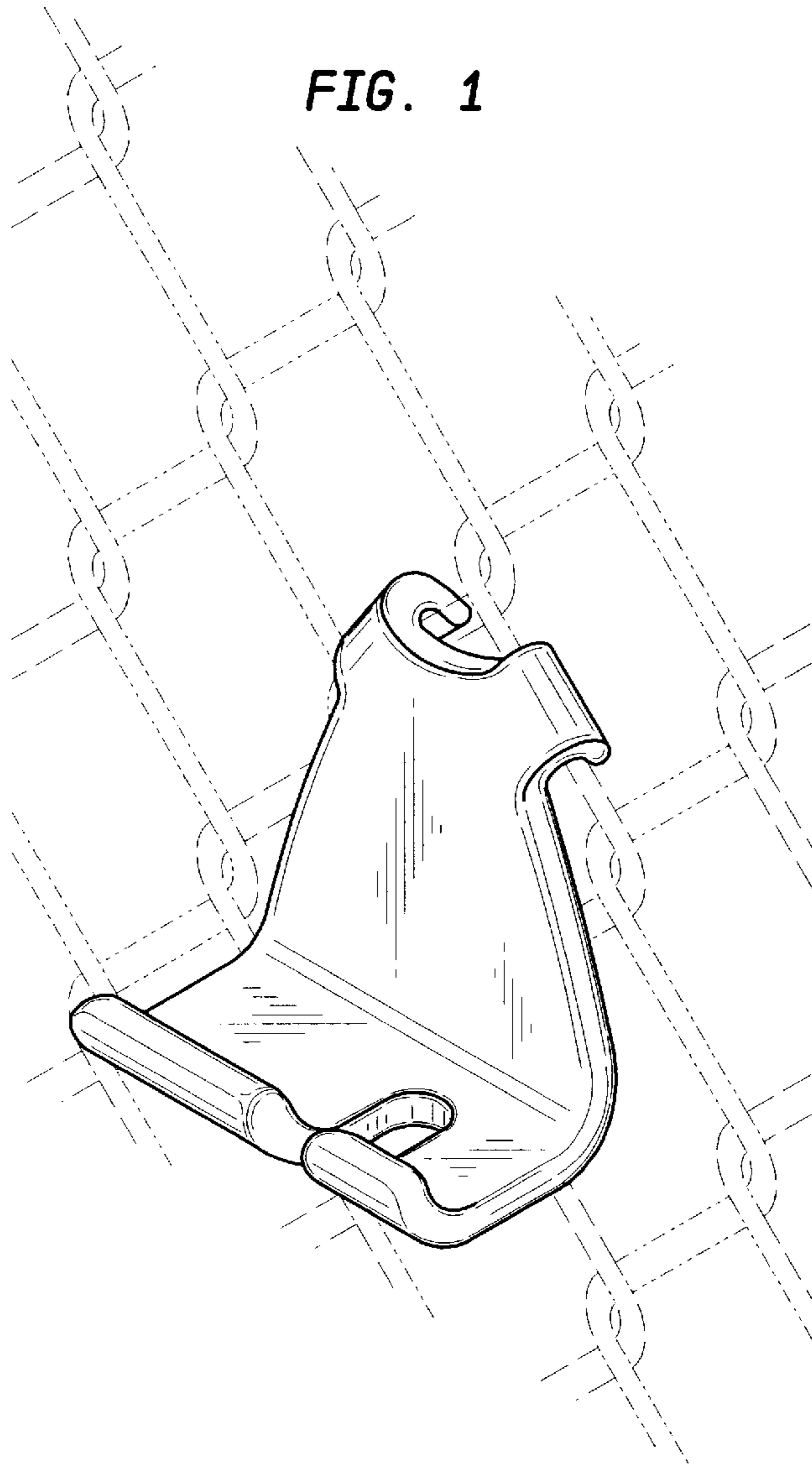


FIG. 2

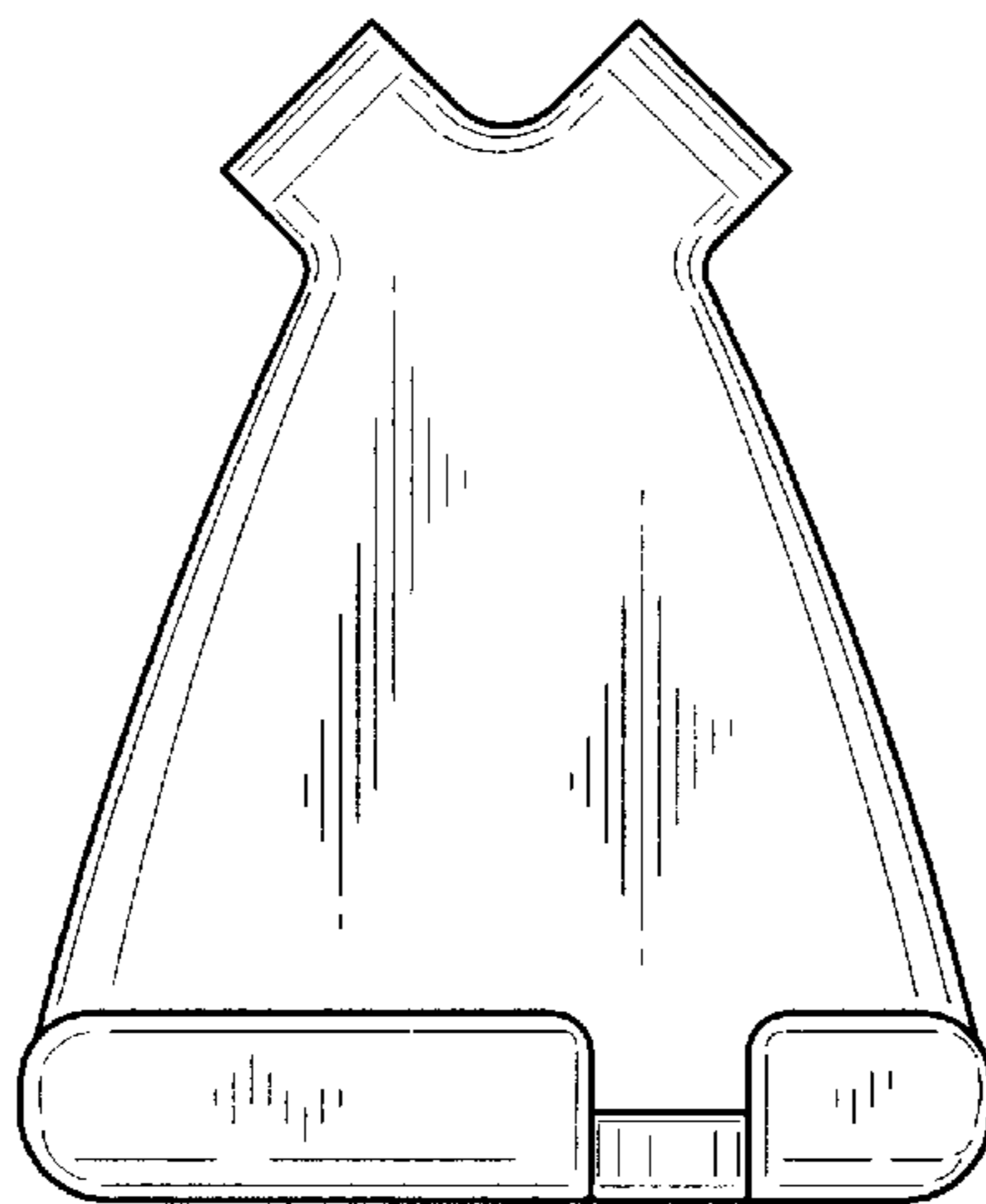


FIG. 3

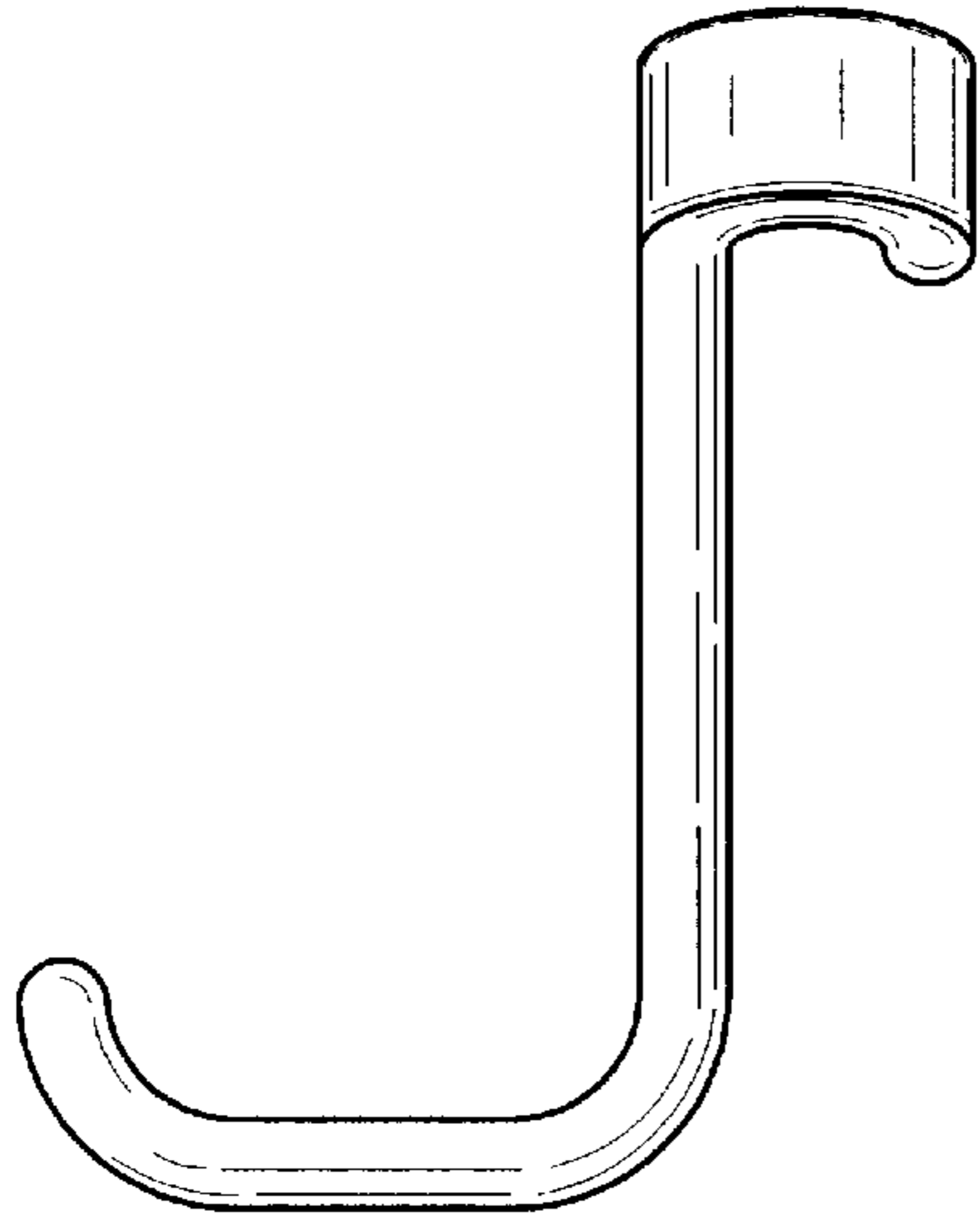


FIG. 4

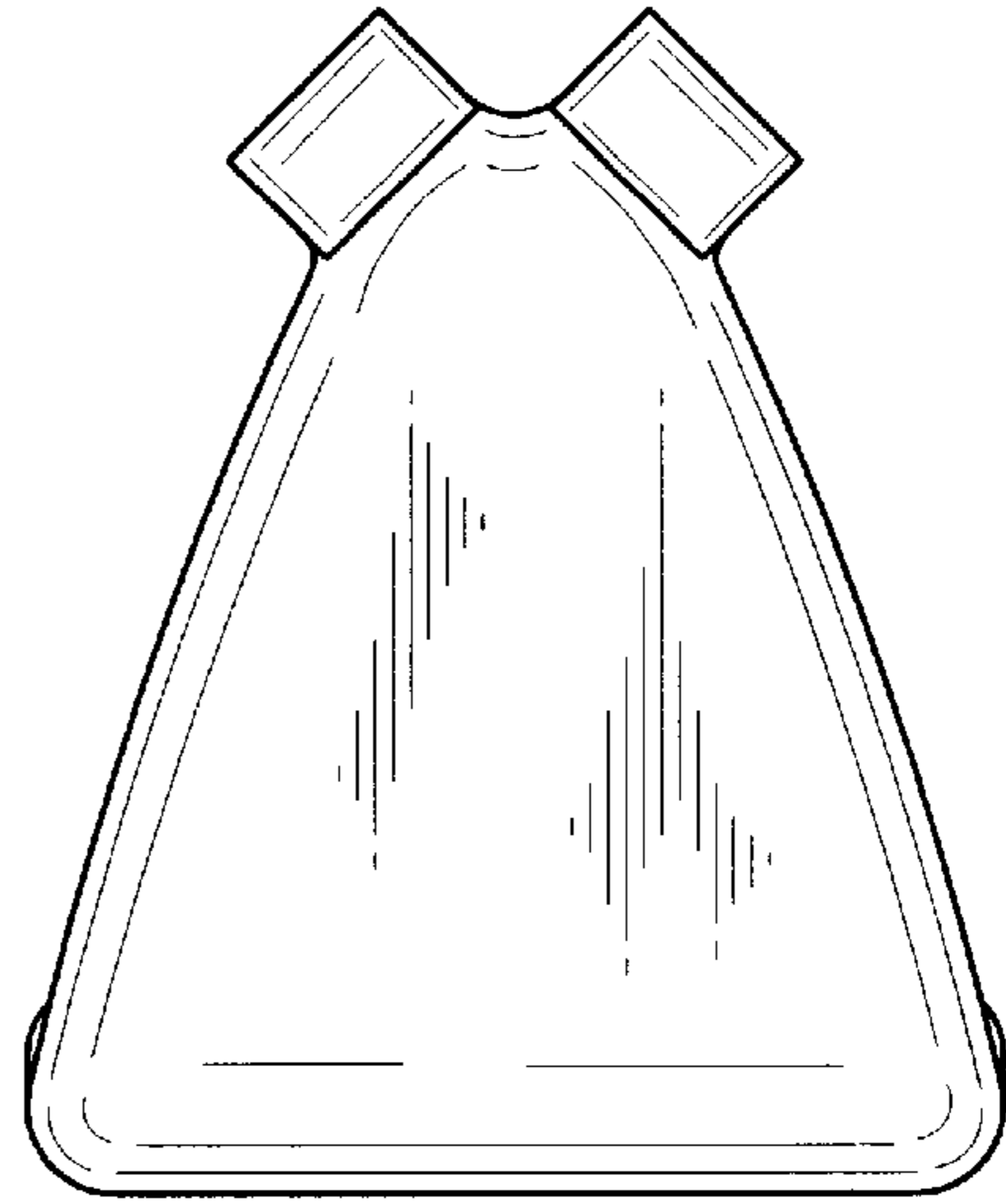


FIG. 5

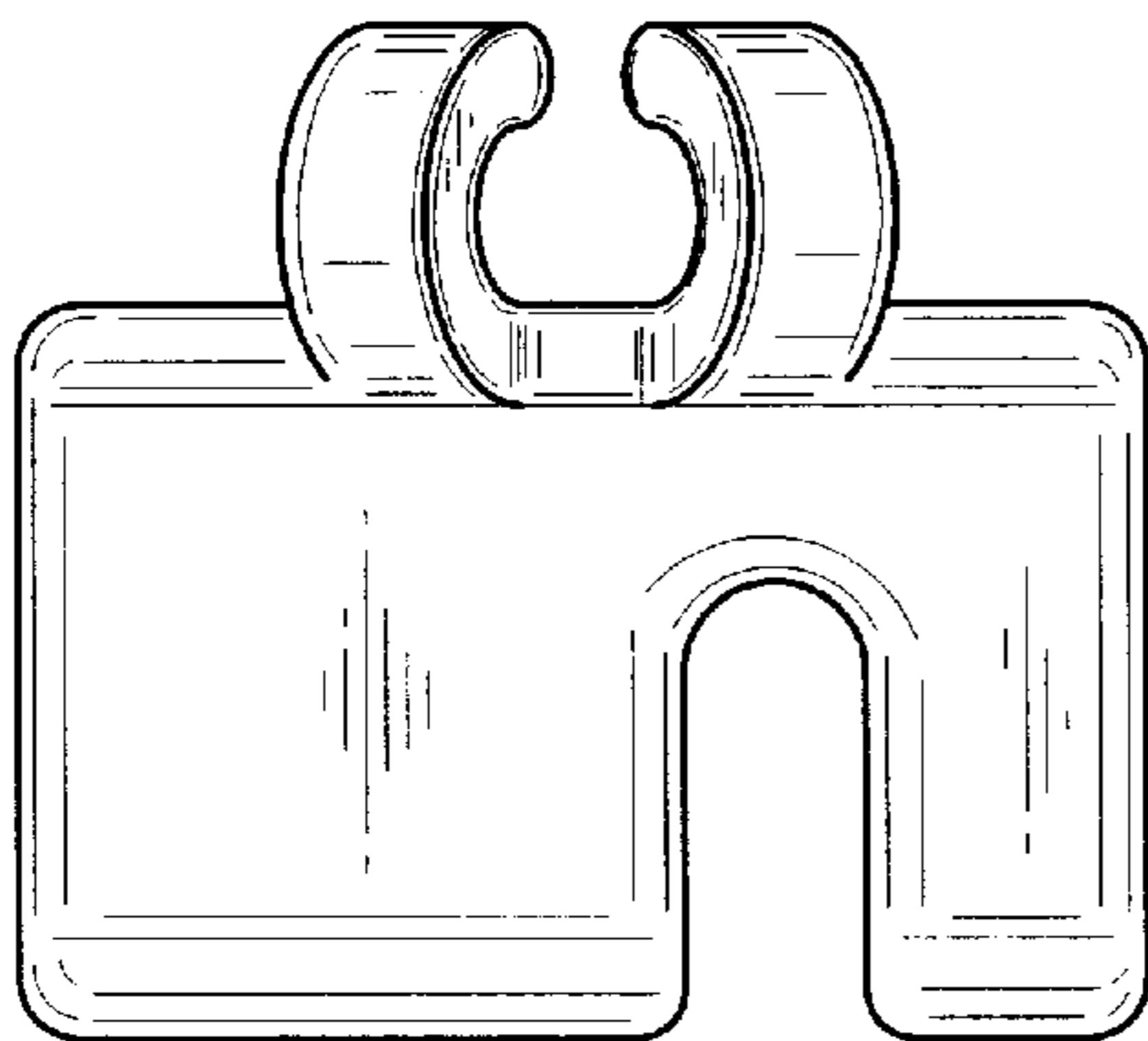
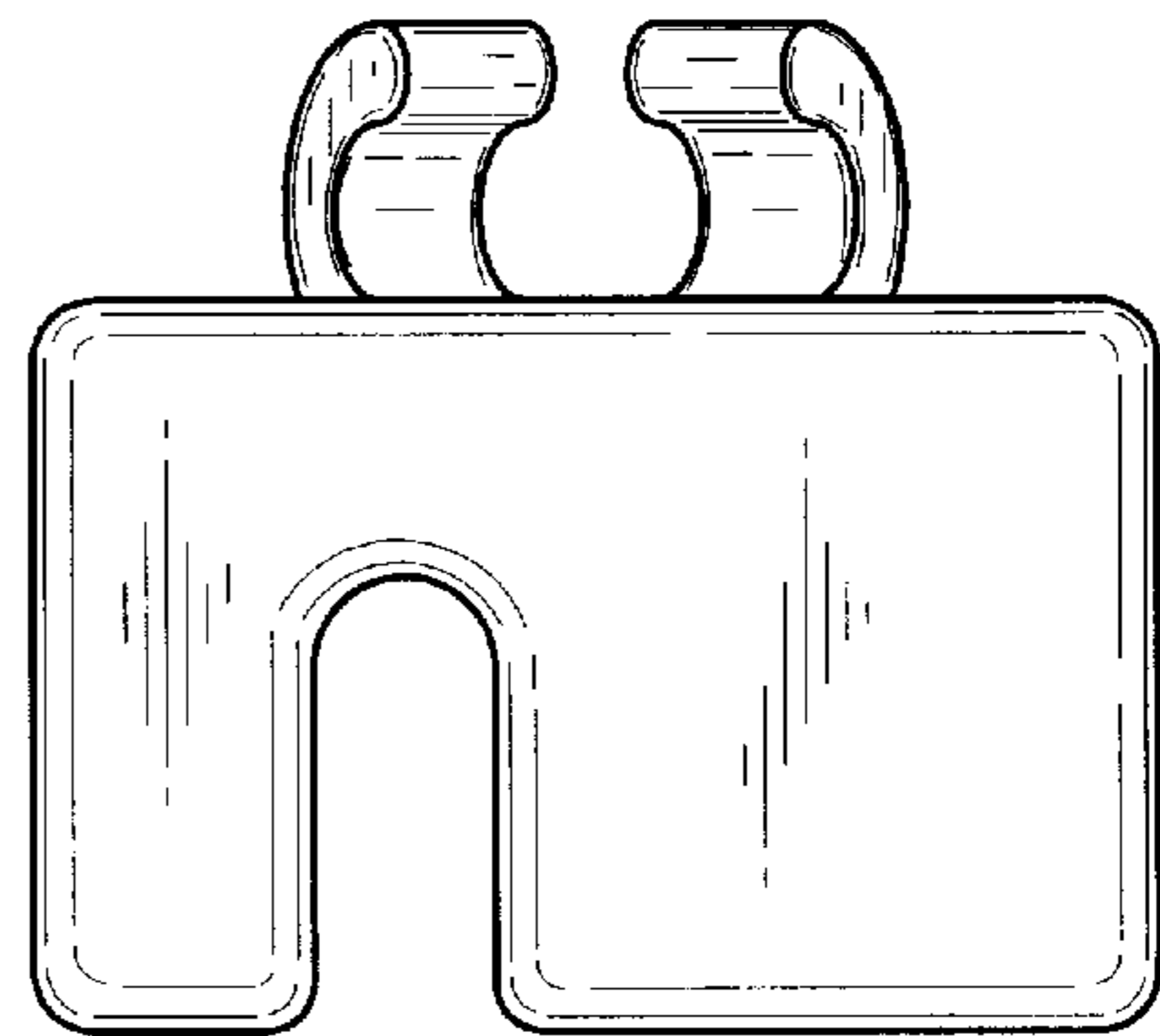


FIG. 6



*FIG. 7*

