



US00D417806S

United States Patent [19]
Zaidman

[11] **Patent Number: Des. 417,806**

[45] **Date of Patent: ** Dec. 21, 1999**

[54] **DRAWER PANEL**

[75] Inventor: **S. Paul Zaidman**, Winnipeg, Canada

[73] Assignee: **Palliser Furniture Ltd.**, Winnipeg, Canada

[**] Term: **14 Years**

[21] Appl. No.: **29/082,878**

[22] Filed: **Jan. 30, 1998**

[51] **LOC (6) Cl.** **06-06**

[52] **U.S. Cl.** **D6/510**

[58] **Field of Search** D6/492, 494, 510,
D6/432-448; 312/204, 330.1, 348.4

[56] **References Cited**

U.S. PATENT DOCUMENTS

- D. 335,409 5/1993 Kellems D6/510
- D. 386,634 11/1997 Daus D6/510
- D. 390,733 2/1998 Brunner et al. D6/510

OTHER PUBLICATIONS

20/20 by Burlington, p. 17 drawer panel on any casegood on page, May 9, 1983.
Catalogue photos of Palliser series 232-B, 232-C, 232-F and 232-O Master Bedroom, Oct. 1991.

Primary Examiner—Carmen H Vales-Lado
Attorney, Agent, or Firm—Clifford W. Browning; Woodard, Emhardt, Naughton, Moriarty & McNett

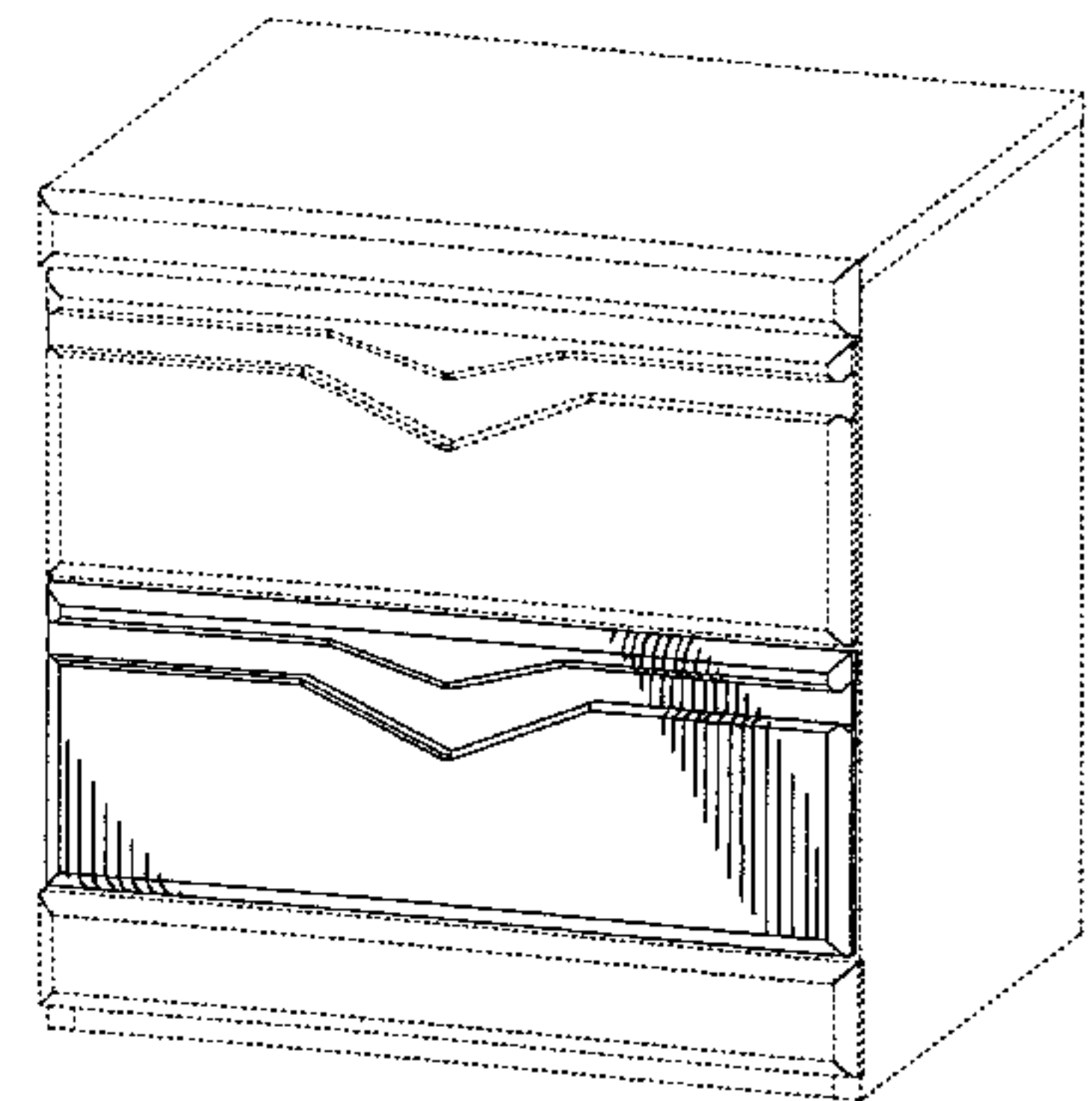
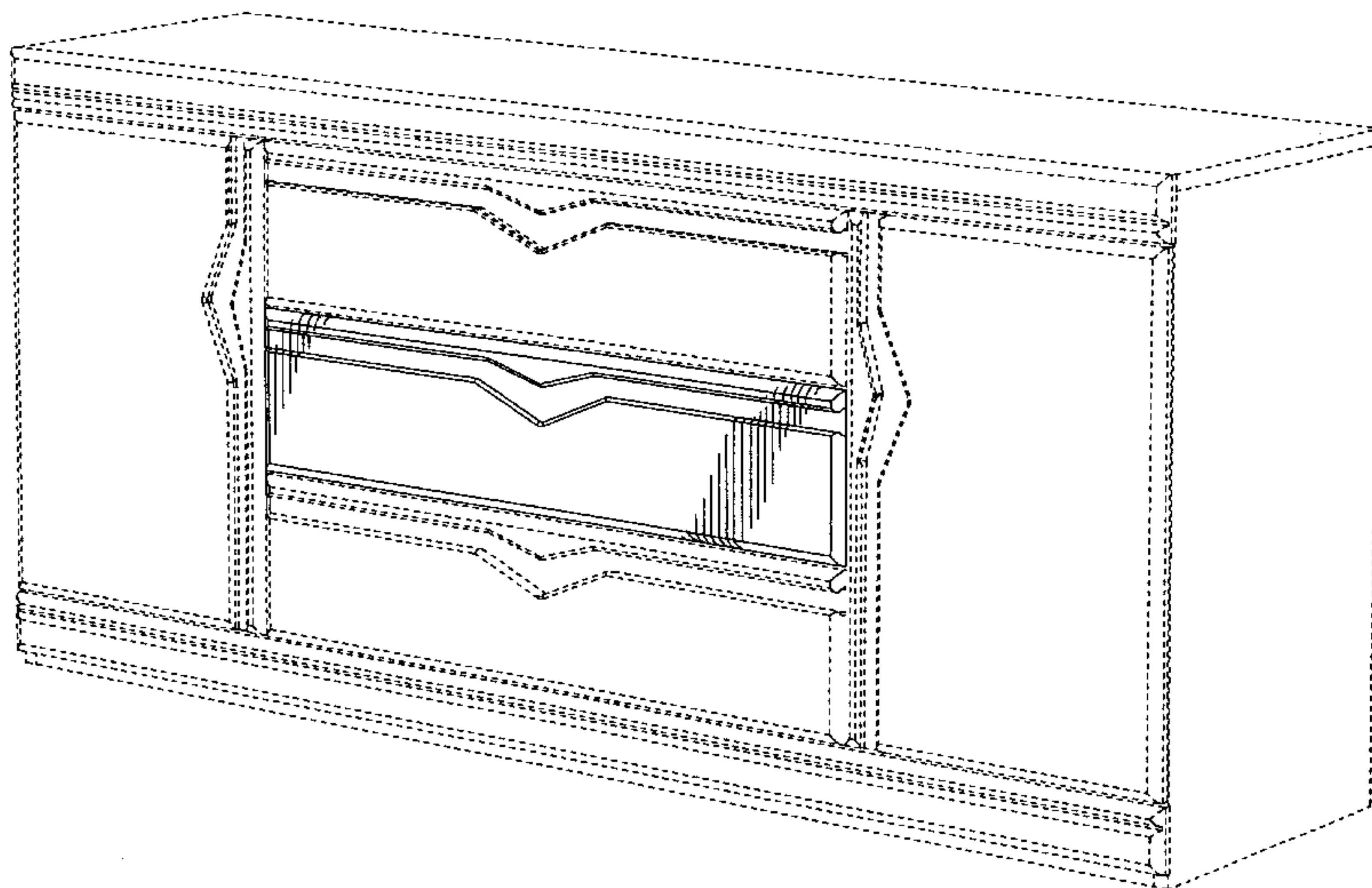
[57] **CLAIM**

The ornamental design for a drawer panel, as shown and described.

DESCRIPTION

FIG. 1 is a front elevational view of a drawer panel showing my new design;
FIG. 2 is a perspective view thereof;
FIG. 3 is an enlarged cross-sectional view taken along line 3—3 of FIG. 1;
FIG. 4 is a front, right side perspective view of a second embodiment of the drawer panel shown in FIG. 1;
FIG. 5 is a front, right side perspective view of FIG. 4 in a different casegood, the left side being a mirror image thereof;
FIG. 6 is a front right side perspective view of FIG. 1 in a different casegood, the left side being a mirror image thereof; and,
FIG. 7 is a left side perspective view of FIG. 4 in a different casegood, the right side being a mirror image thereof.

1 Claim, 7 Drawing Sheets



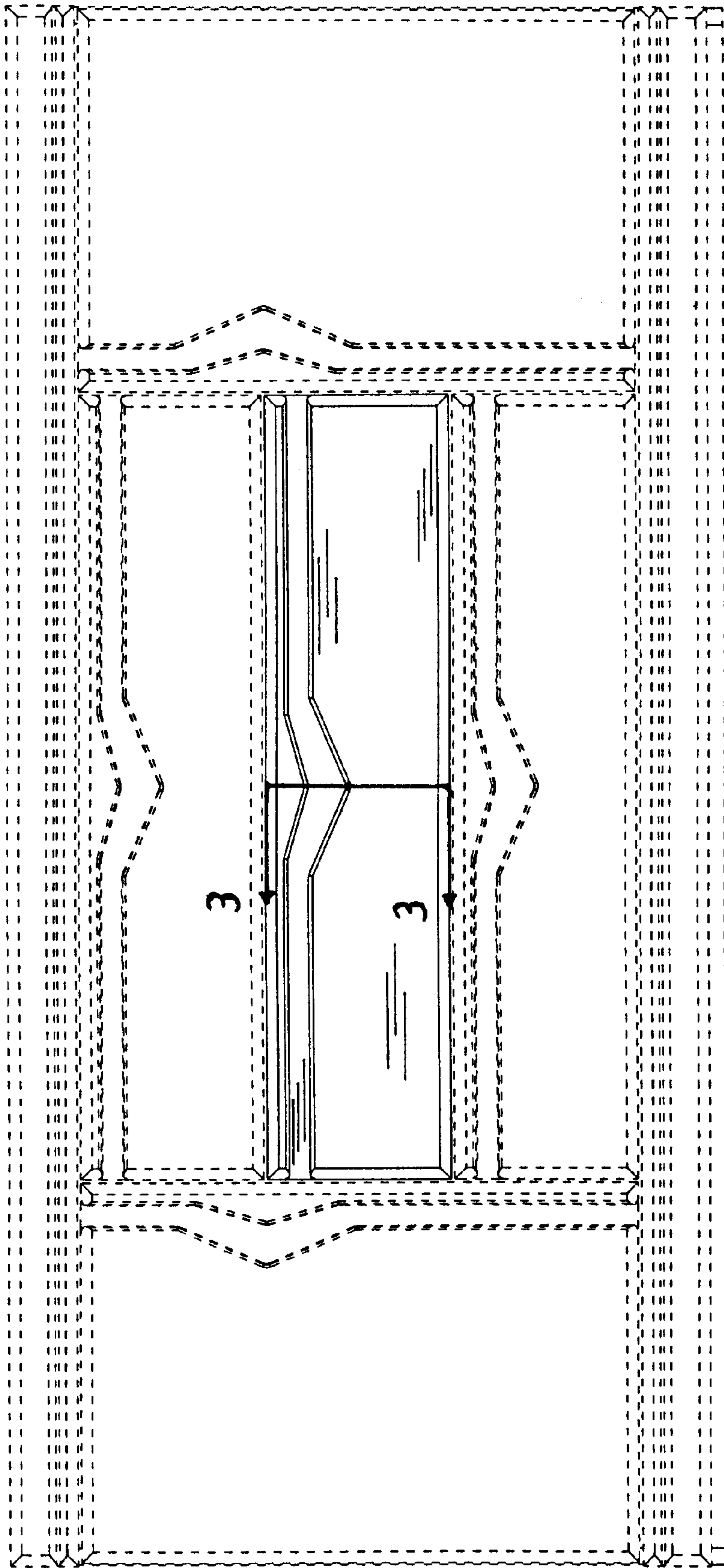


FIG. 1

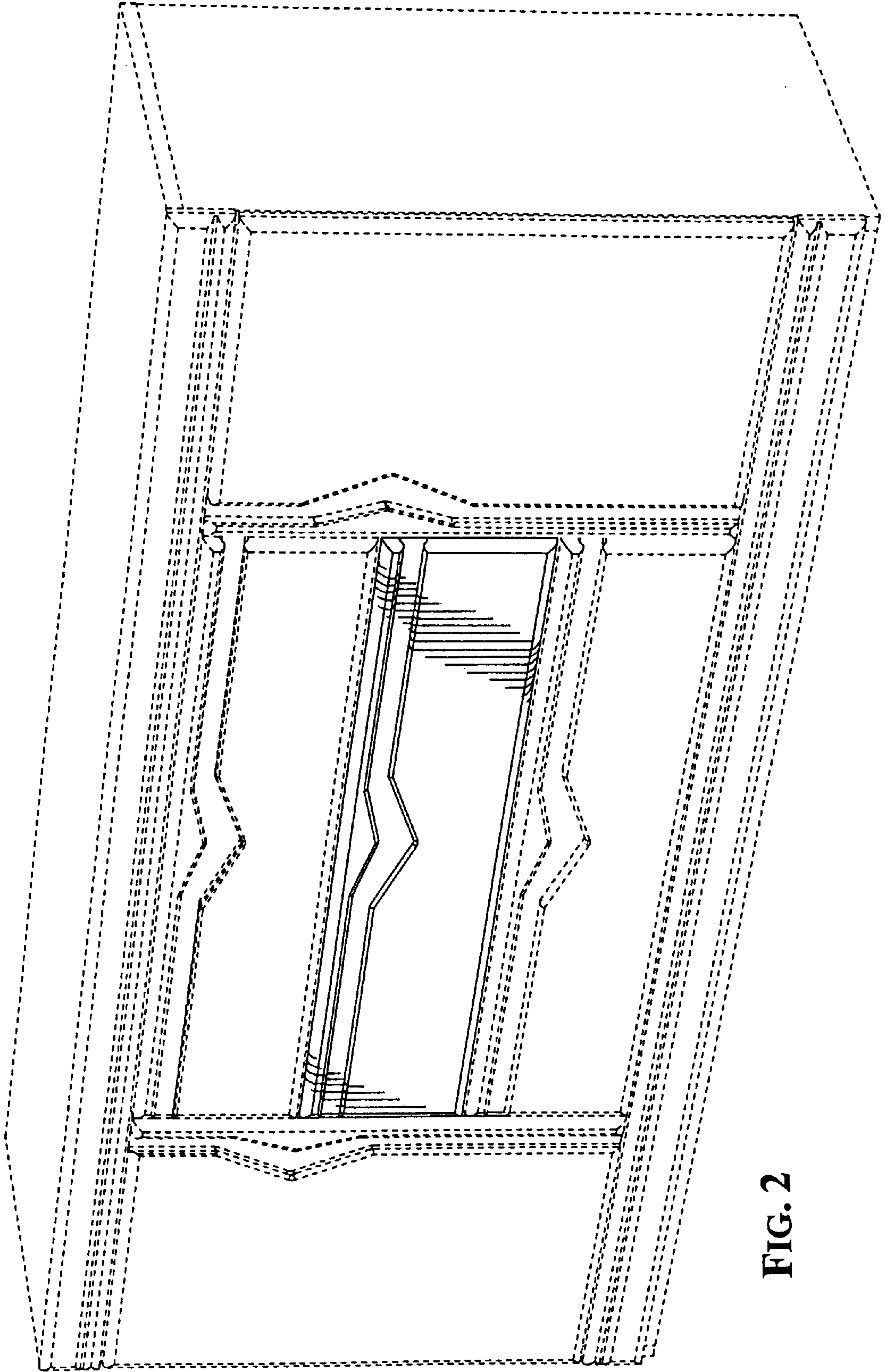


FIG. 2

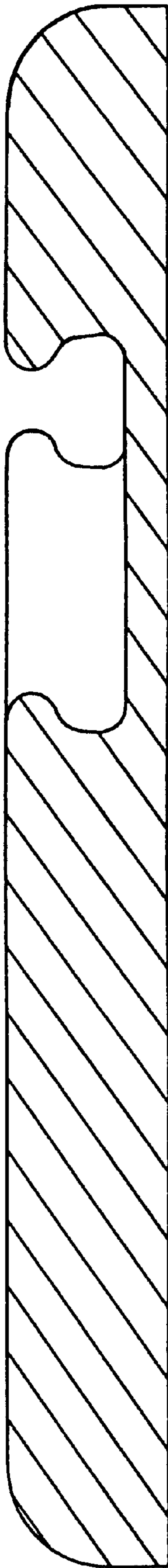


FIG. 3

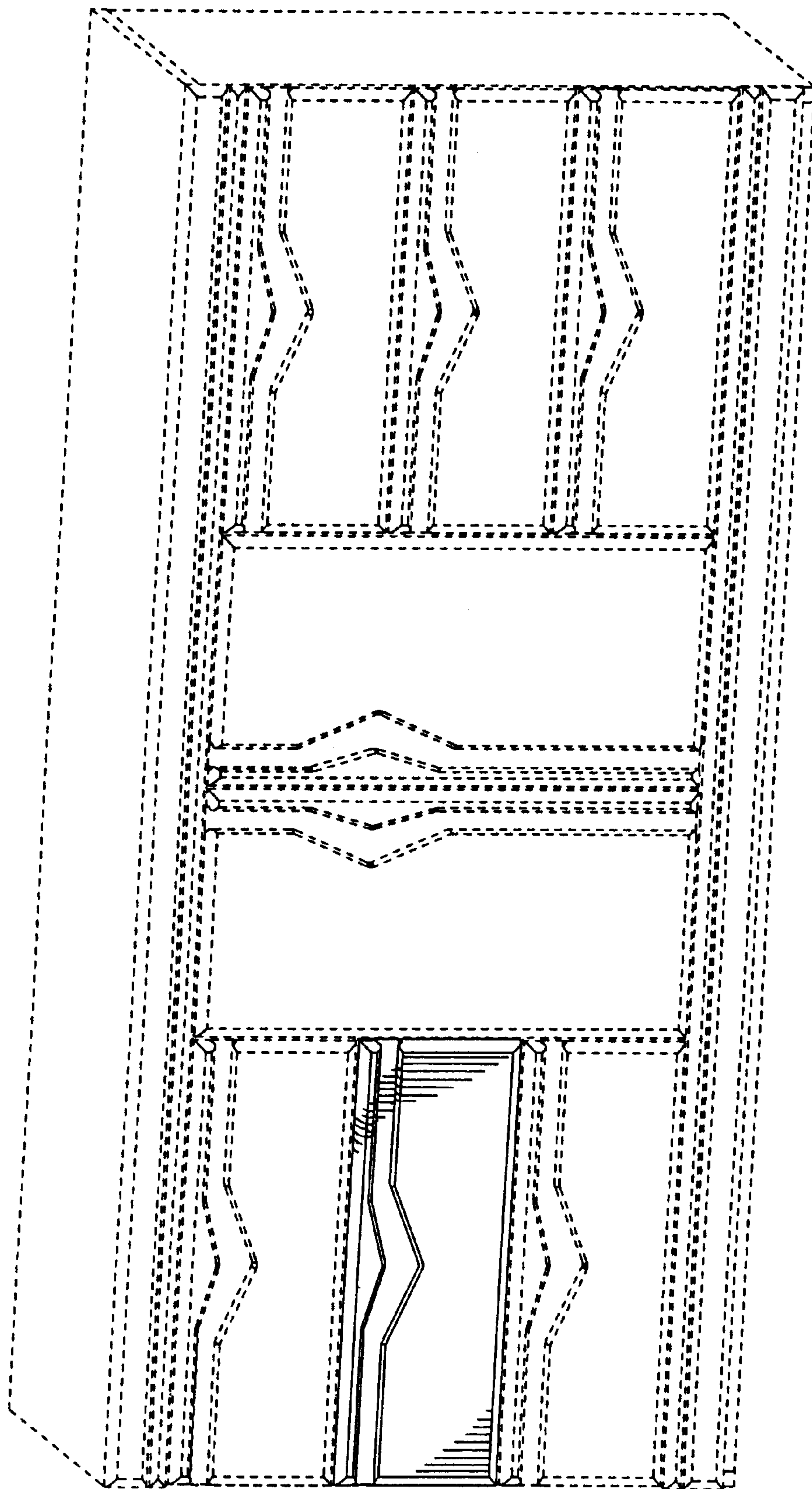
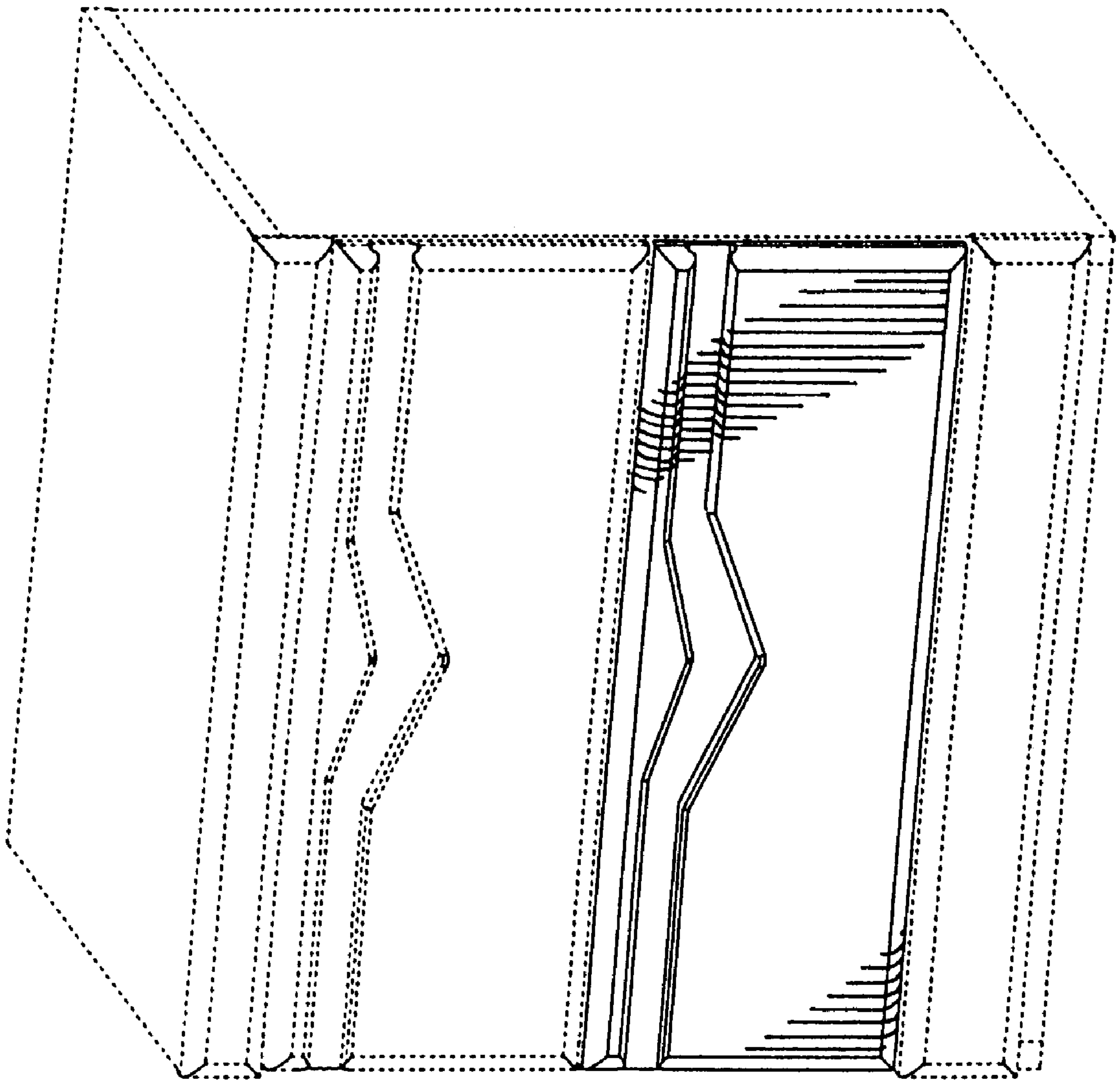


FIG. 4

FIG. 5



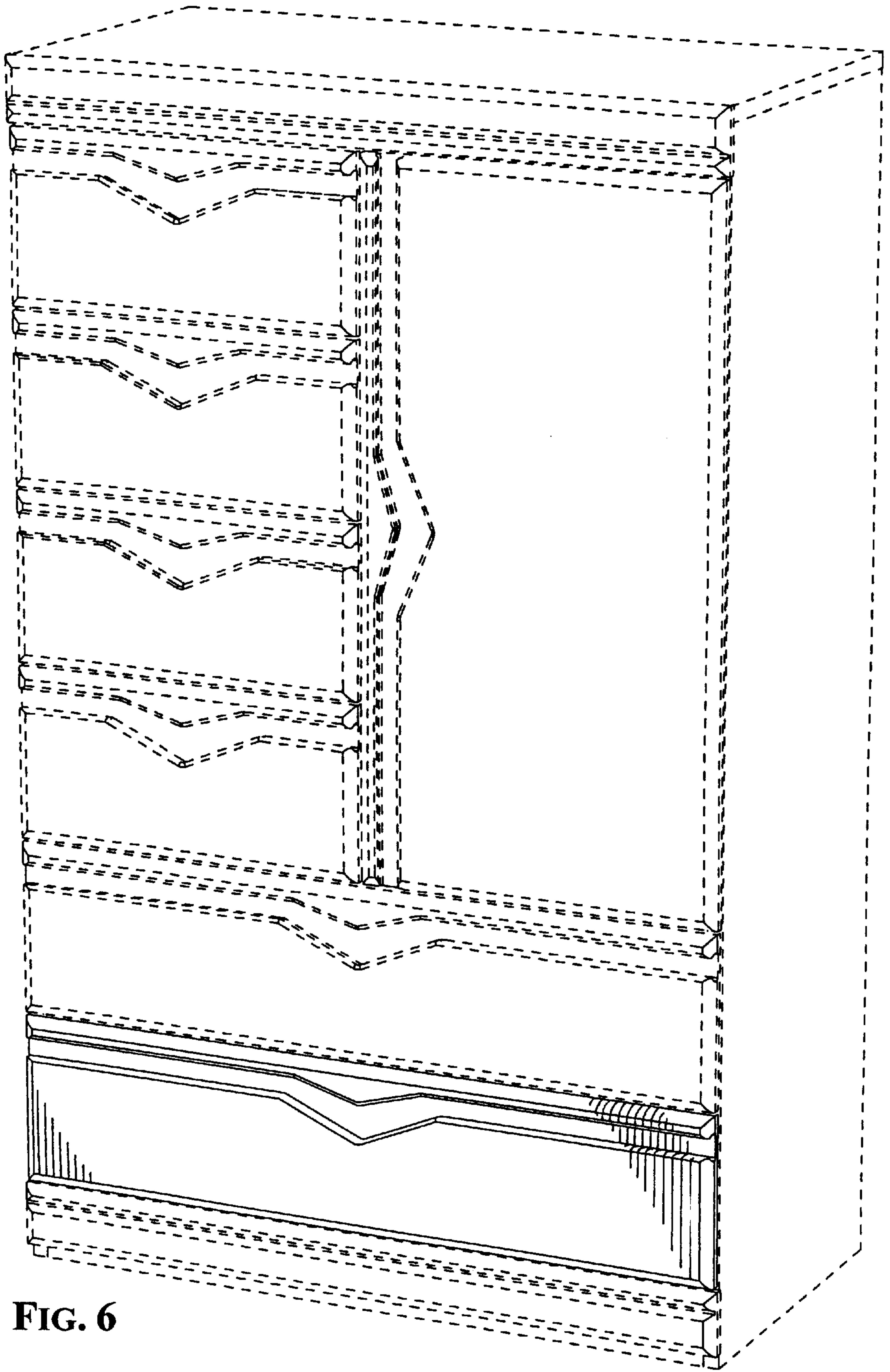


FIG. 6

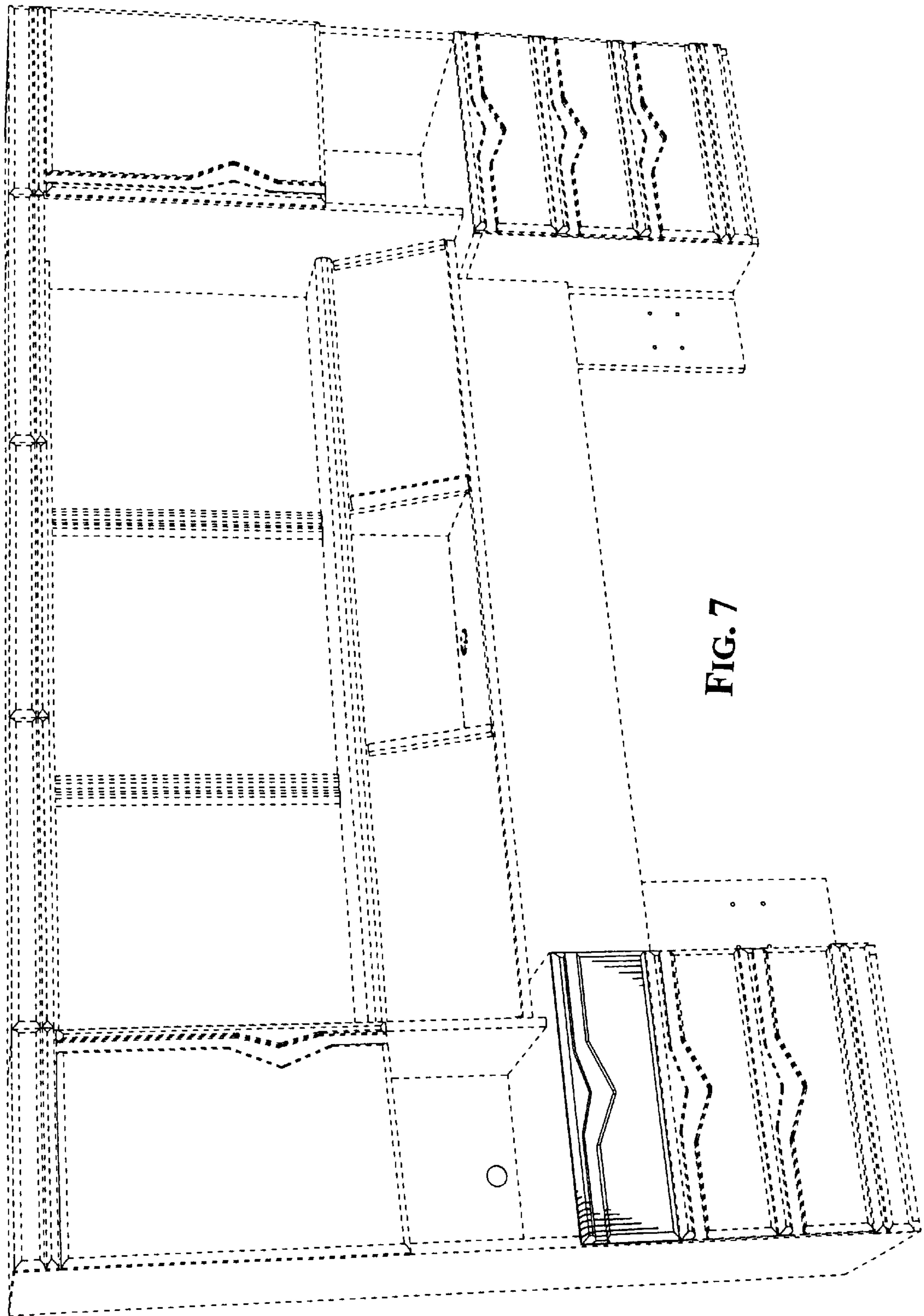


FIG. 7

UNITED STATES PATENT AND TRADEMARK OFFICE
CERTIFICATE OF CORRECTION

PATENT NO : D417,806

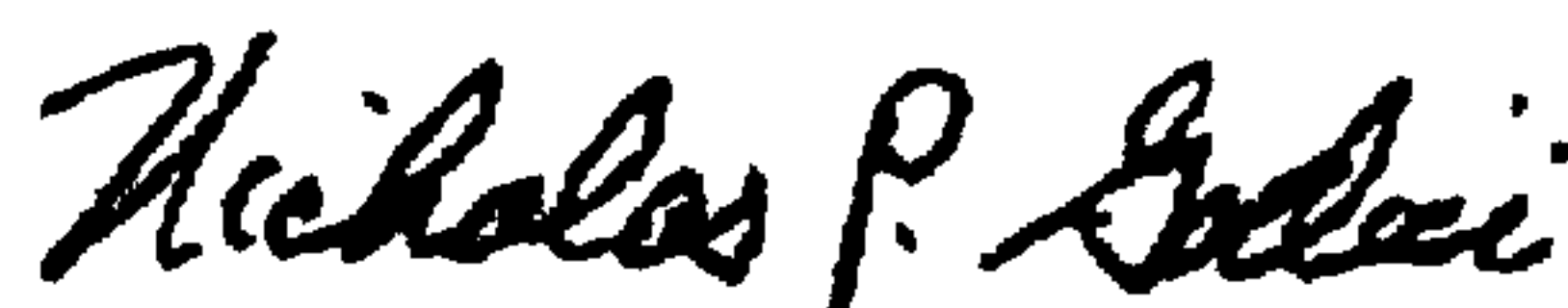
DATED : December 21, 1999

INVENTOR(S) : S. Paul Zaidman

It is certified that error appears in the above-identified patent and that said Letters Patent
is hereby corrected as shown below:

At the end of the Description, please insert the following: --The parts of the panel not shown form no part of
the claimed design and the broken lines are for illustrative purposes only.--

Signed and Sealed this
Sixth Day of March, 2001



NICHOLAS P. GODICI

Attest:

Attesting Officer

Acting Director of the United States Patent and Trademark Office