



US00D417805S

United States Patent [19]

Bramsiepe et al.

[11] **Patent Number: Des. 417,805**

[45] **Date of Patent: ** Dec. 21, 1999**

[54] **STAND AND SUPPORT FOR DISPLAY PANELS**

[75] Inventors: **Holger Bramsiepe; Matthias Öcklenburg**, both of Wuppertal, Germany

[73] Assignee: **"Durable" Hunke & Jochheim GmbH & Co. KG**, Iserlohn, Germany

[**] Term: **14 Years**

[21] Appl. No.: **29/073,968**

[22] Filed: **Jul. 24, 1997**

[30] **Foreign Application Priority Data**

Jan. 24, 1997 [DE] Germany M 97 00 573
Jan. 24, 1997 [DE] Germany M 97 00 571

[51] **LOC (6) Cl.** **06-04**

[52] **U.S. Cl.** **D6/509**

[58] **Field of Search** D6/491, 495, 496, D6/466, 467, 332, 509; D20/41, 43; 248/188, 188.1, 188.2, 188.5, 188.8; 108/10, 155, 156, 157.1, 158.12; 211/183; 160/368.1

[56] **References Cited**

U.S. PATENT DOCUMENTS

D. 81,953 9/1930 Appleman D6/495

D. 115,528 7/1939 Silvers D6/495
D. 127,928 6/1941 Wellman D6/332
D. 223,498 4/1972 Daum D6/495
D. 305,567 1/1990 Scott D6/496 X
D. 334,314 3/1993 Milton D6/495
D. 370,128 5/1996 Alexander D6/495 X

Primary Examiner—Doris V. Coles
Assistant Examiner—Linda Brooks
Attorney, Agent, or Firm—Mark P. Stone

[57] **CLAIM**

The ornamental design for a stand and support for display panels, as shown and described.

DESCRIPTION

FIG. 1 is a front view of a stand and support for display panels in accordance with a first embodiment of the present invention;

FIG. 2 is a side view thereof, the opposite side view being a mirror image;

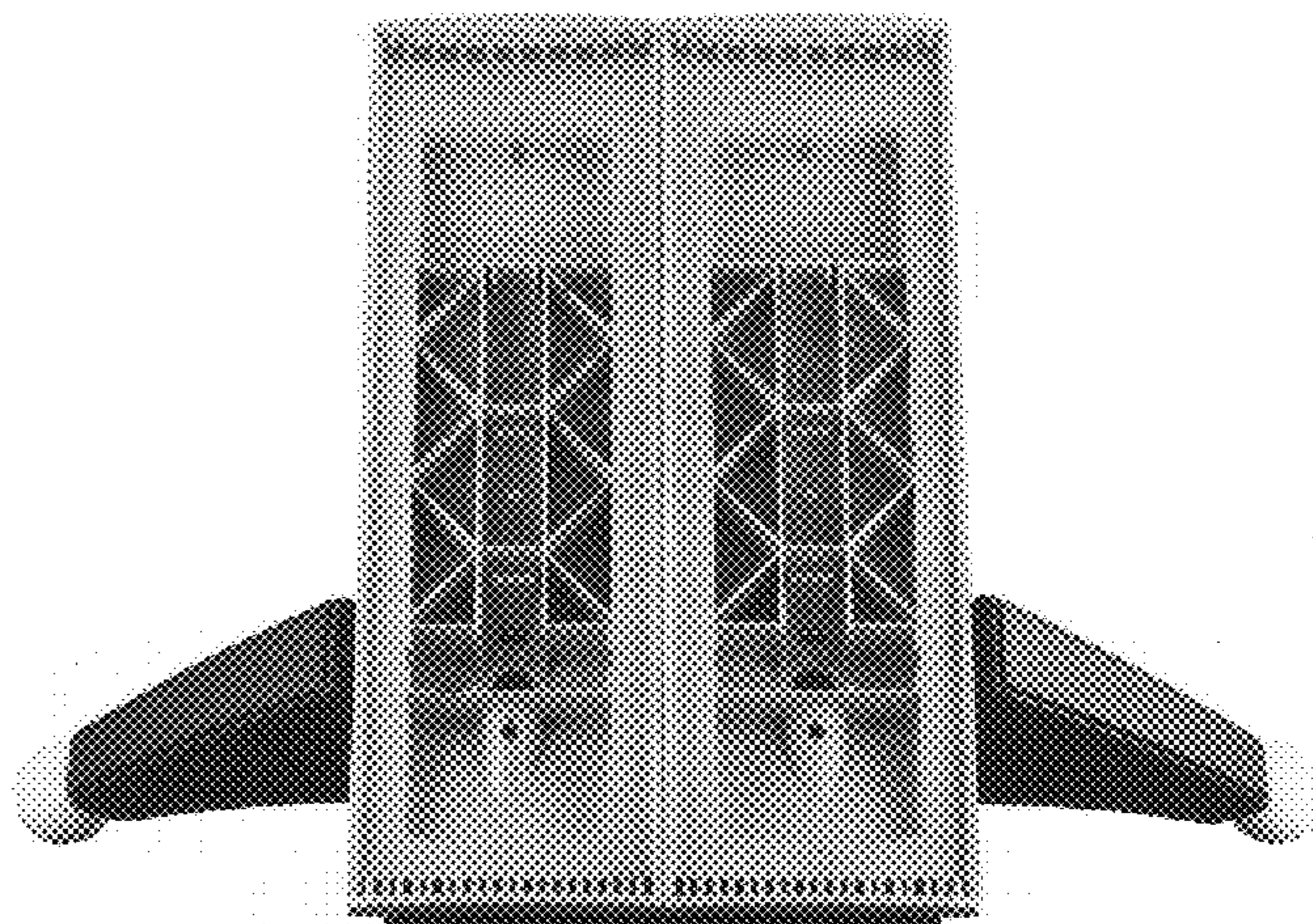
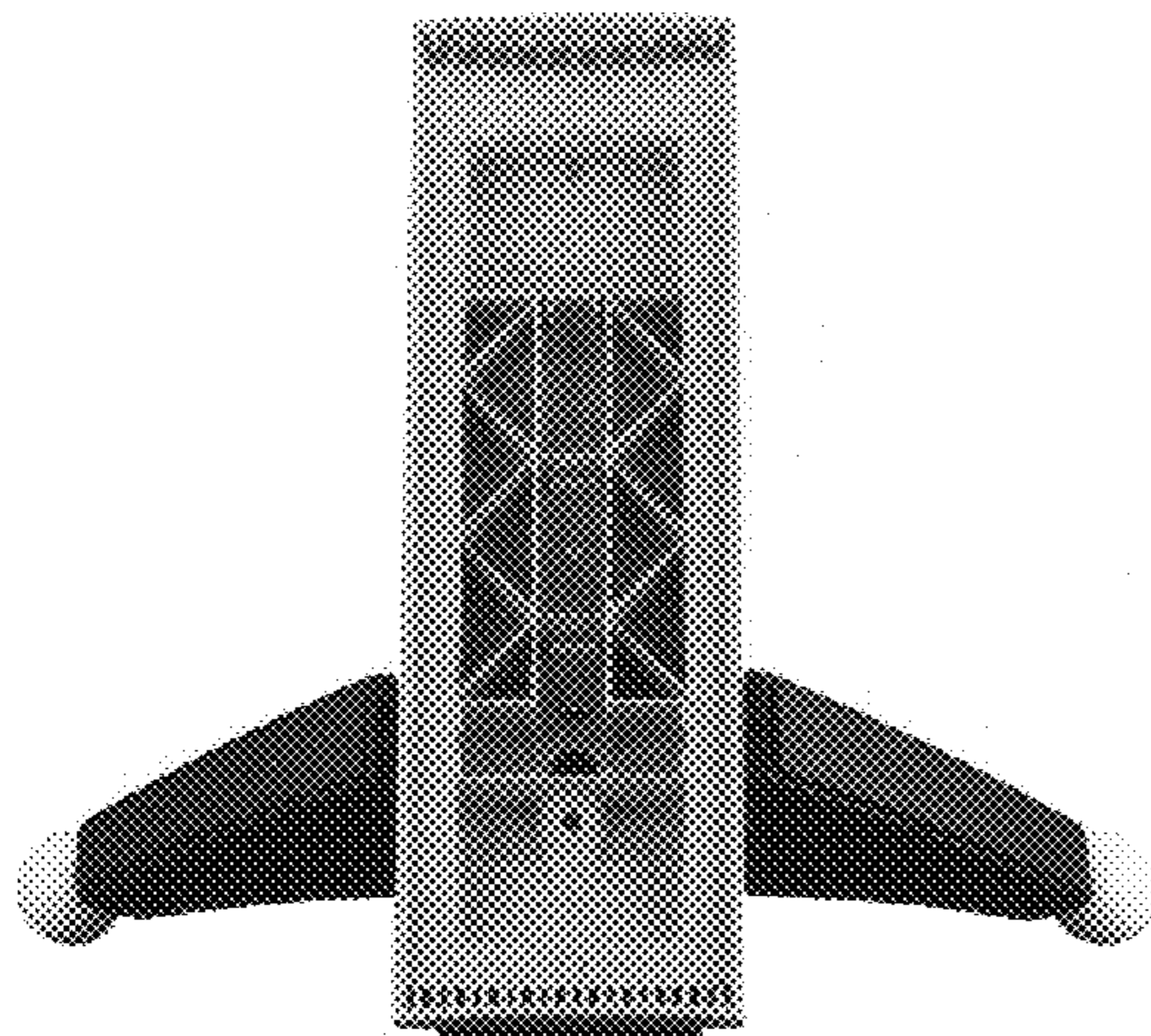
FIG. 3 is a rear view thereof;

FIG. 4 is a front view of a stand and support for display panels in accordance with a second embodiment of the present invention;

FIG. 5 is a side view of FIG. 4, the opposite side view being a mirror image; and,

FIG. 6 is a rear view thereof.

1 Claim, 6 Drawing Sheets



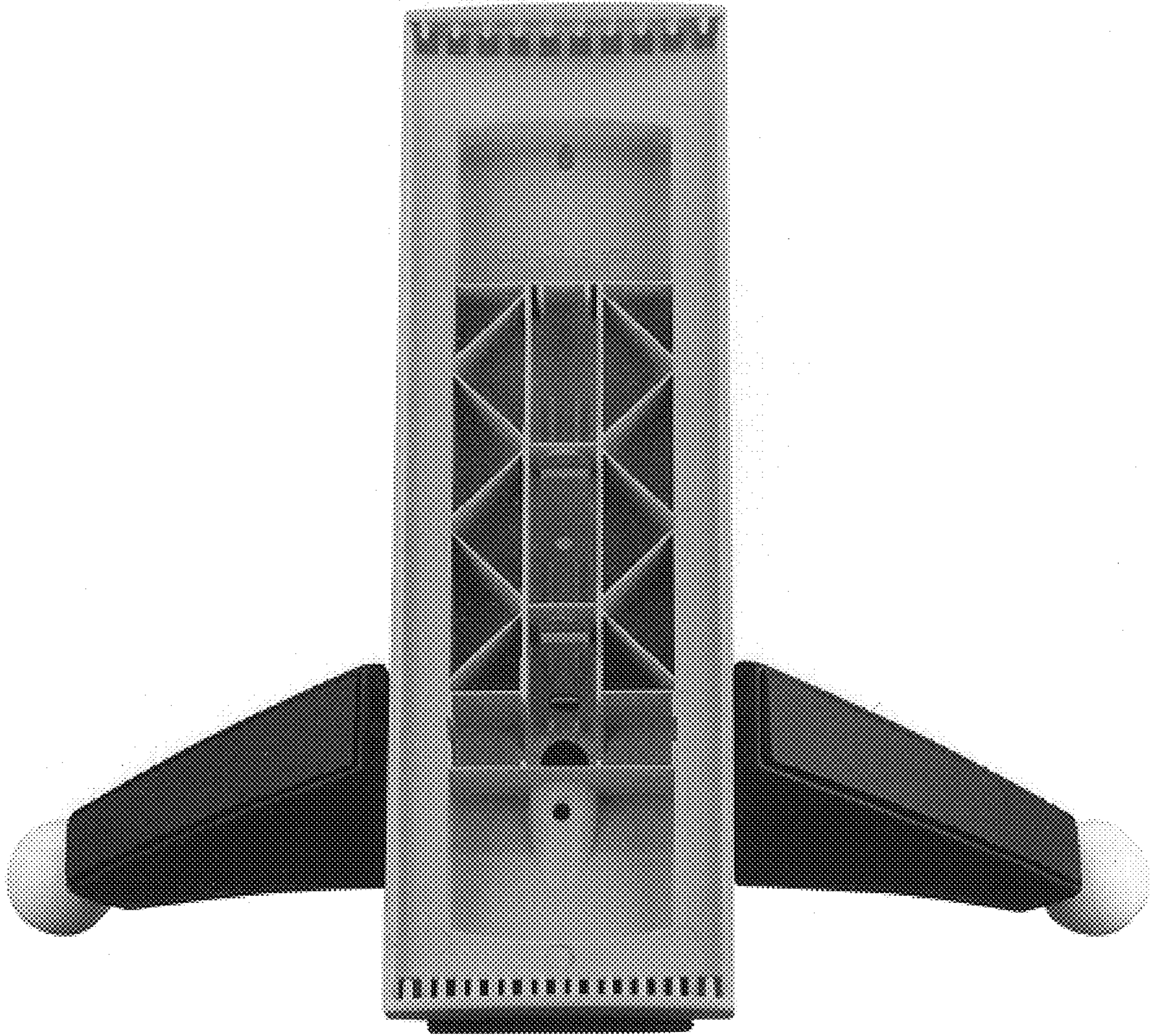


FIG. 1

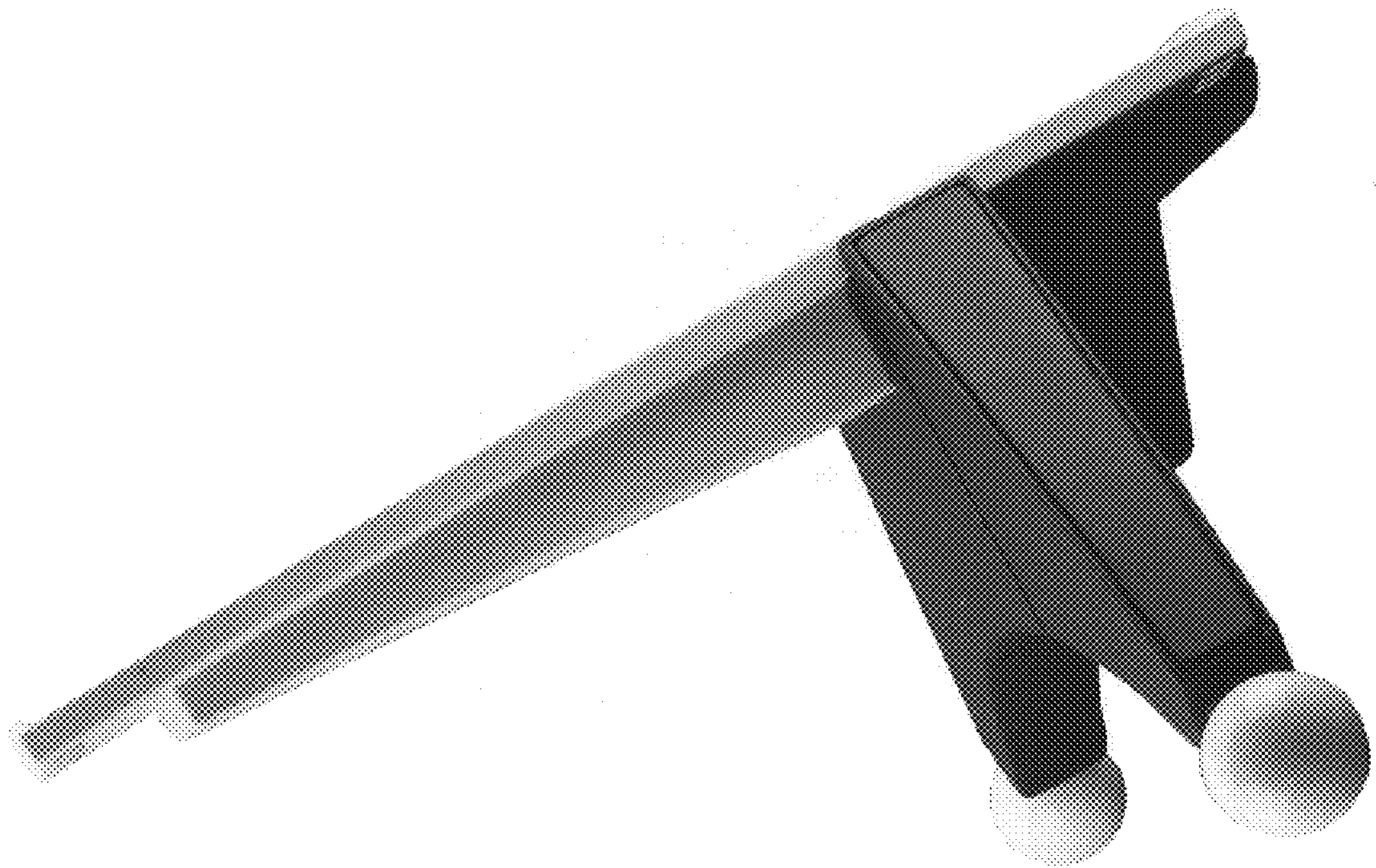


FIG. 2

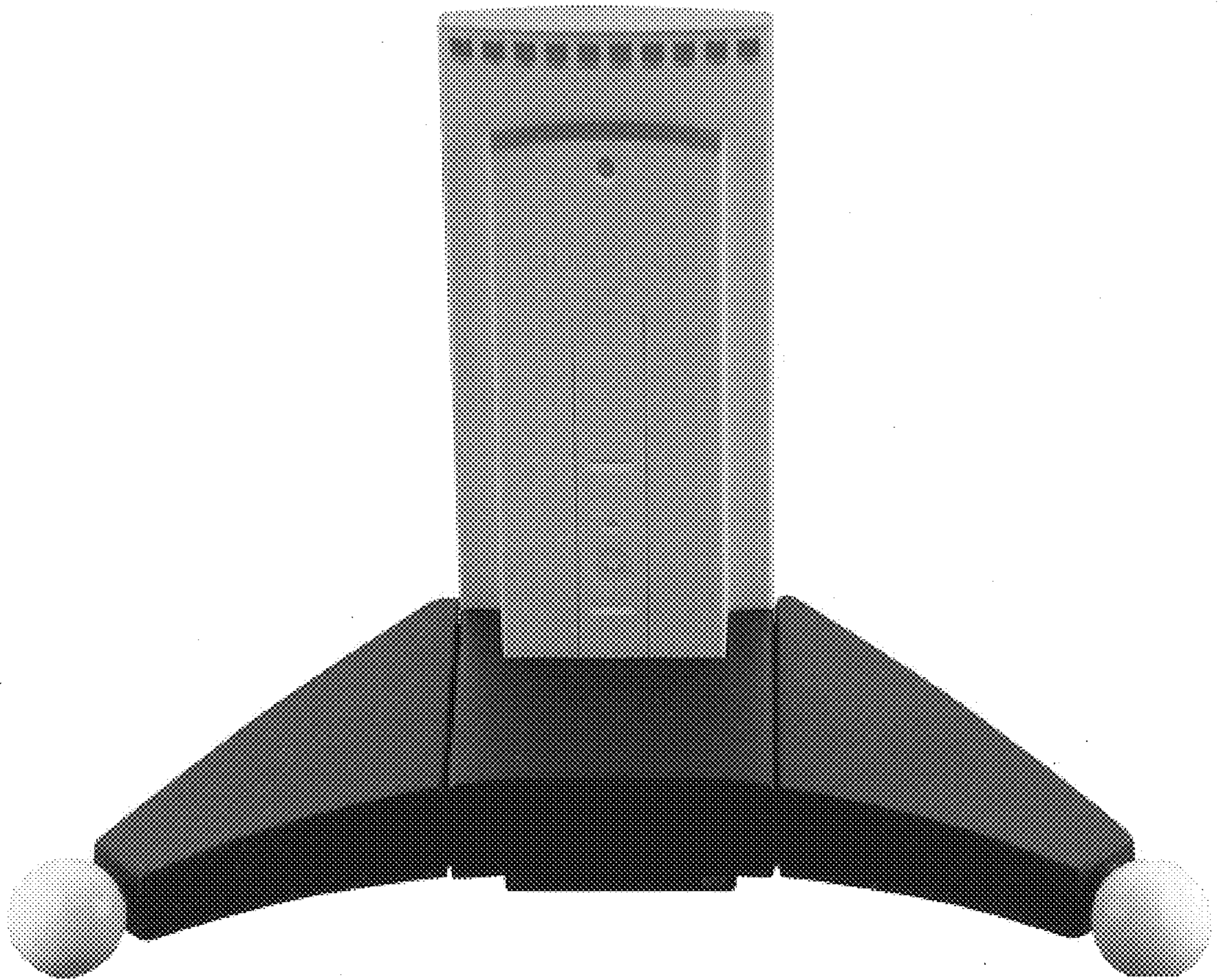


FIG. 3

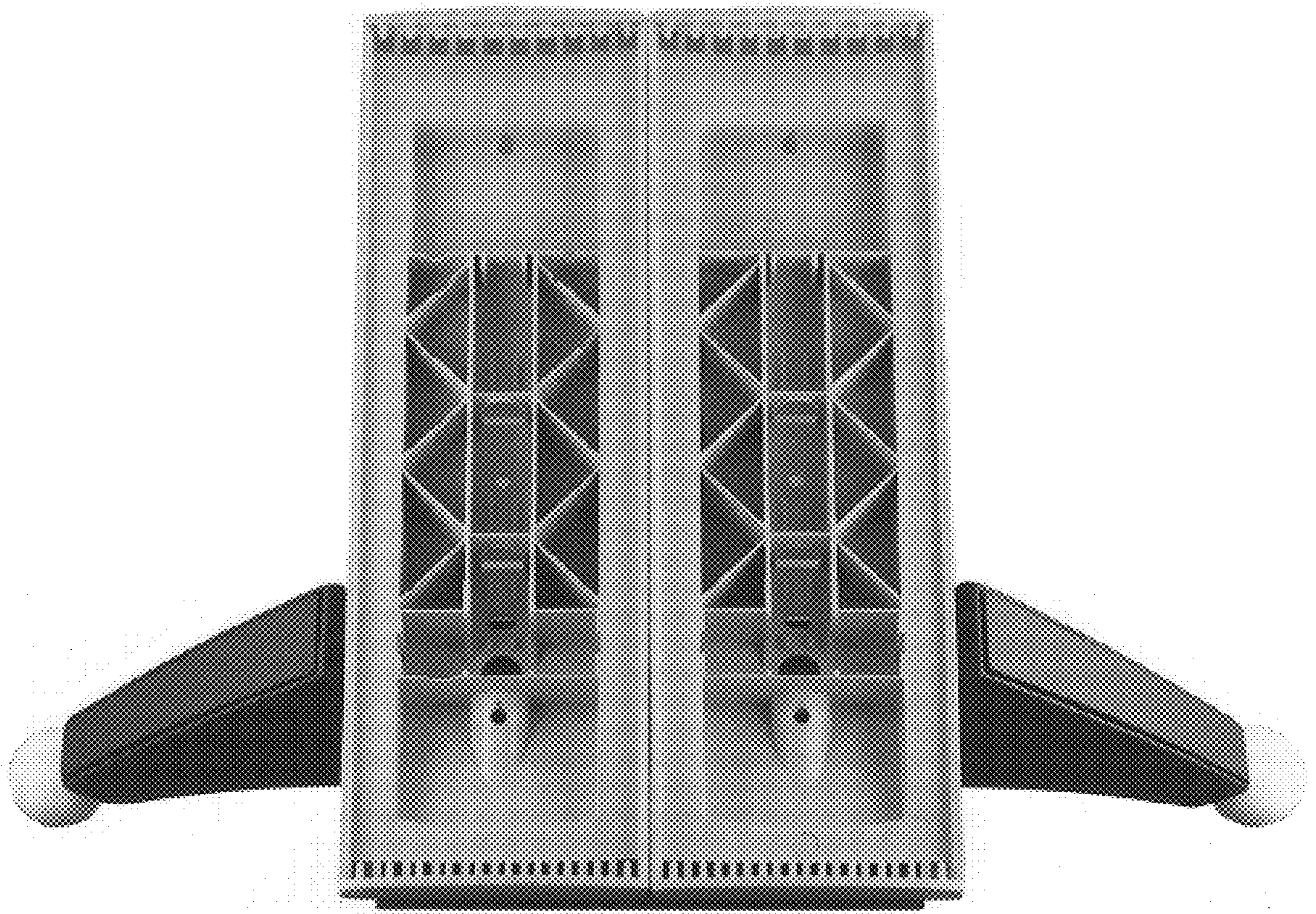


FIG. 4

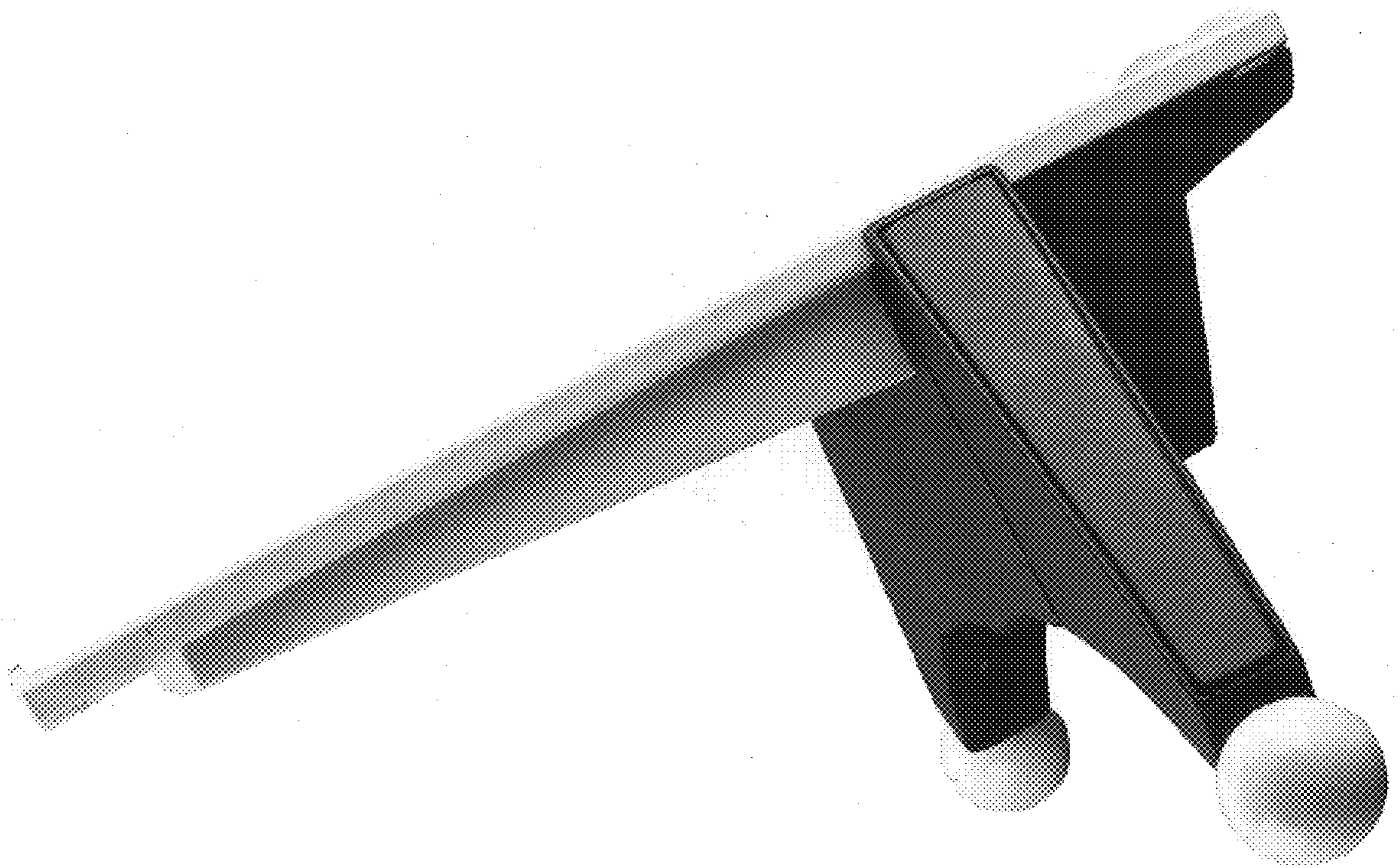


FIG. 5

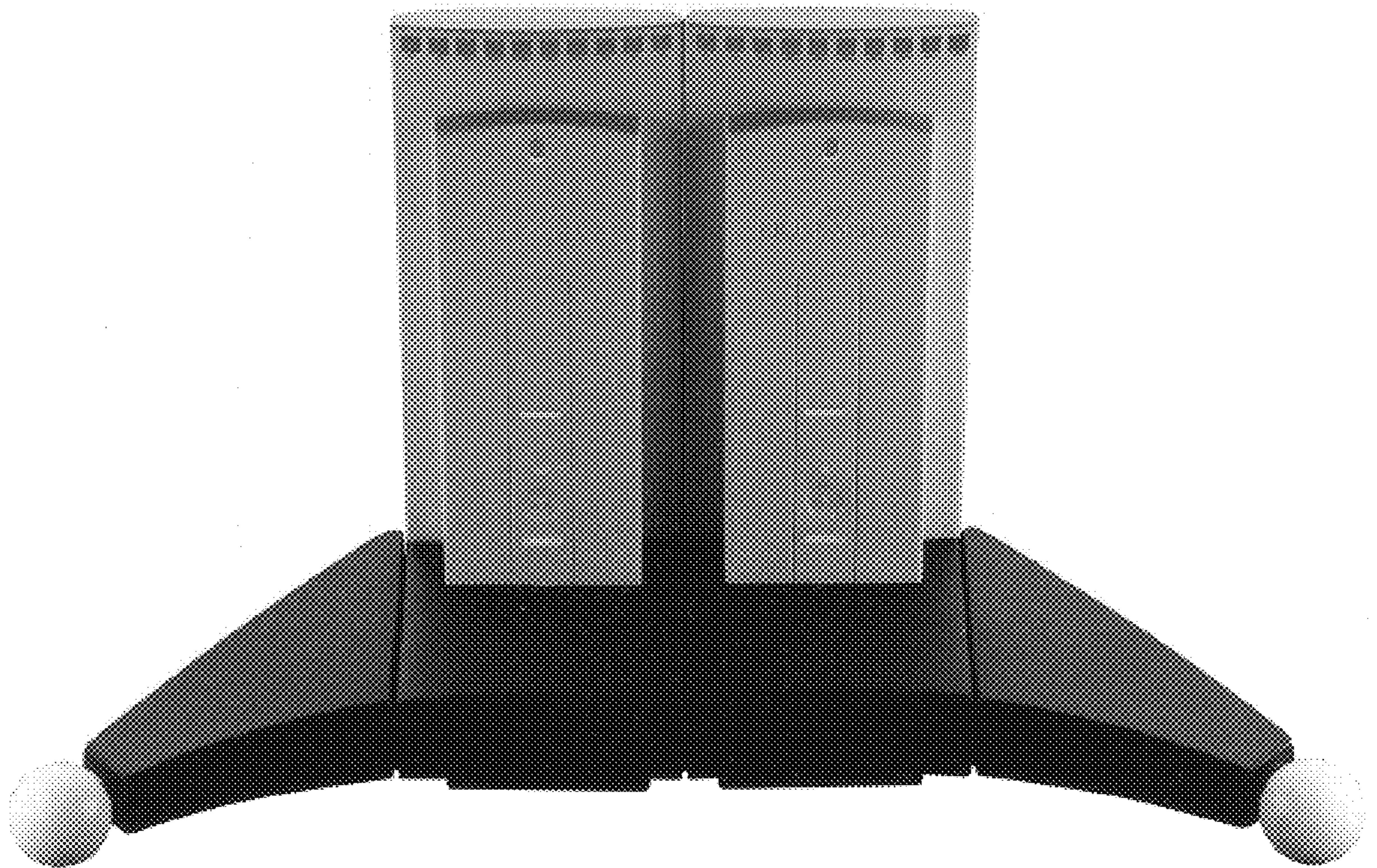


FIG. 6