



US00D417803S

United States Patent [19] Shilling et al.

[11] Patent Number: **Des. 417,803**

[45] Date of Patent: **** Dec. 21, 1999**

[54] TABLE LEG

[75] Inventors: **Jerry L. Shilling**, Syracuse; **David A. Reichard**, Warsaw; **Michael R. Schilling**, Pierceton, all of Ind.

[73] Assignee: **Wabash Valley Manufacturing, Inc.**, Silver Lake, Ind.

[**] Term: **14 Years**

[21] Appl. No.: **29/092,715**

[22] Filed: **Aug. 25, 1998**

[51] LOC (6) Cl. **06-06**

[52] U.S. Cl. **D6/499**

[58] Field of Search D6/334, 337, 369, D6/370, 487, 488, 491, 499, 500, 501, 502, 462, 495; 297/157.1, 158.1; 115/108; 248/188.1, 188.6, 175, 176.1; D8/354, 363

[56] References Cited

U.S. PATENT DOCUMENTS

D. 27,598	8/1897	Aufuldish	D6/499
D. 165,710	1/1952	Currie et al. .	
D. 194,038	11/1962	Preston	D6/337
D. 222,806	1/1972	Wise .	
D. 228,162	8/1973	Fink .	
D. 231,963	7/1974	May .	
D. 277,442	2/1985	Crowell .	
D. 287,797	1/1987	Evans	D6/487
D. 402,187	12/1998	Caudle	D6/363
3,758,152	9/1973	Lake .	
3,847,424	11/1974	Nielsen .	
3,910,631	10/1975	Inaba .	
4,023,859	5/1977	Hagenson .	
4,522,443	6/1985	Van Blankenburg .	
5,452,936	9/1995	Koehring .	

OTHER PUBLICATIONS

1998 "Plastisol" Coated Furniture Catalog, Wabash Valley Mfg., Inc.
Vinyl Coated Steel Recreational Furniture 1998 Catalog, Diversified Metal Fabricators, Inc.

Superior Line Outdoor/Indoor Furniture 1996 Catalog, Fusion Coatings, Inc.

Specializing in Vinyl Coated Steel Recreational Furniture Catalog, Diversified Metal Fabricators, Inc., 12th Edition, Jan. 1996.

Recreation Catalog, Ken Coat, Inc., Dec. 1, 1995.

Primary Examiner—Doris V. Coles
Assistant Examiner—Mimosa De
Attorney, Agent, or Firm—E. Victor Indiano; Bose McKinney & Evans

[57] CLAIM

The ornamental design for a table leg, as shown and described.

DESCRIPTION

FIG. 1 is a perspective view of a table leg, showing our new design;

FIG. 2 is a top view thereof showing the table leg;

FIG. 3 is a front view thereof;

FIG. 4 is a bottom view thereof;

FIG. 5 is a right side view thereof;

FIG. 6 is a rear elevational view thereof;

FIG. 7 is a left side elevational view thereof;

FIG. 8 is a perspective view of an alternate embodiment table leg, showing a second variant of our new design;

FIG. 9 is a top view thereof showing the alternate embodiment table leg;

FIG. 10 is a front view thereof;

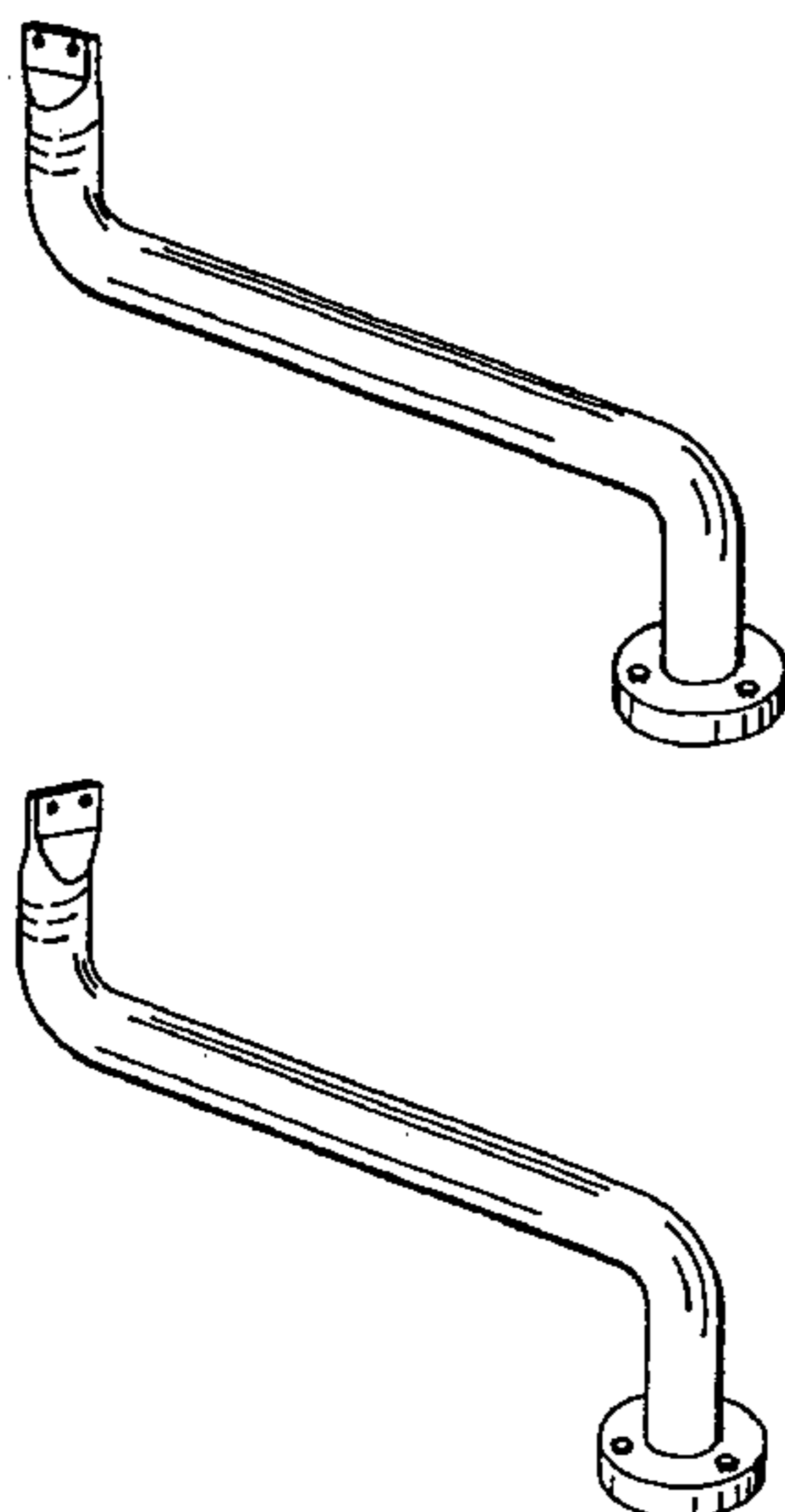
FIG. 11 is a bottom view thereof;

FIG. 12 is a right side elevational view thereof;

FIG. 13 is a rear elevational view thereof; and,

FIG. 14 is a left side elevational view thereof.

1 Claim, 2 Drawing Sheets



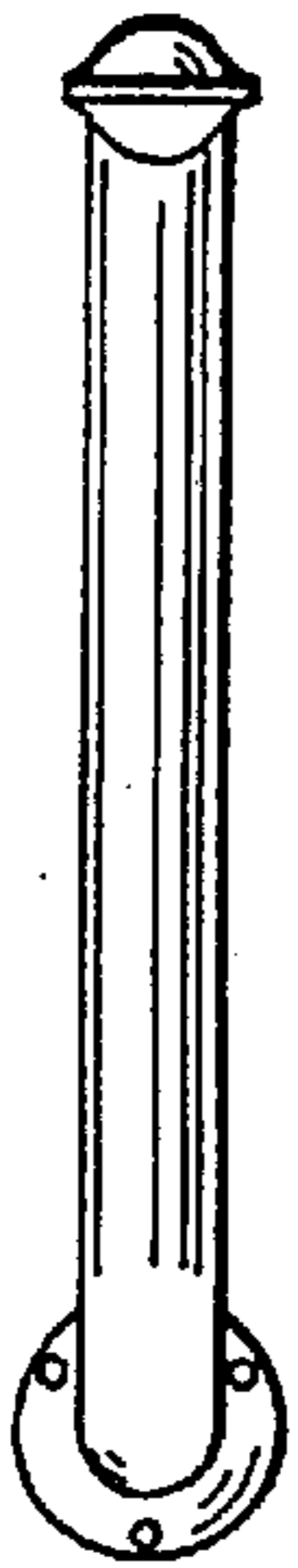


FIG. 2

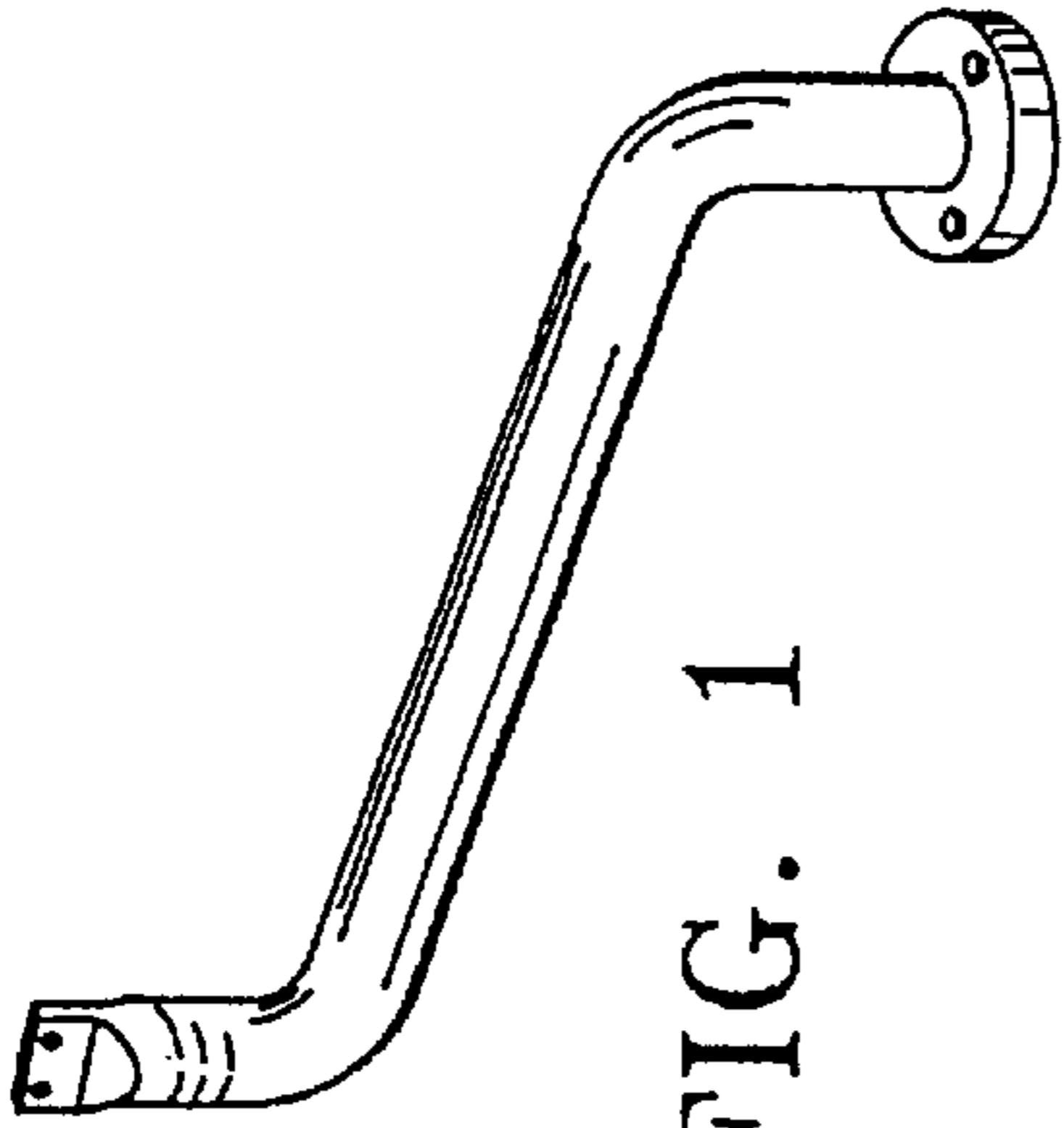


FIG. 1

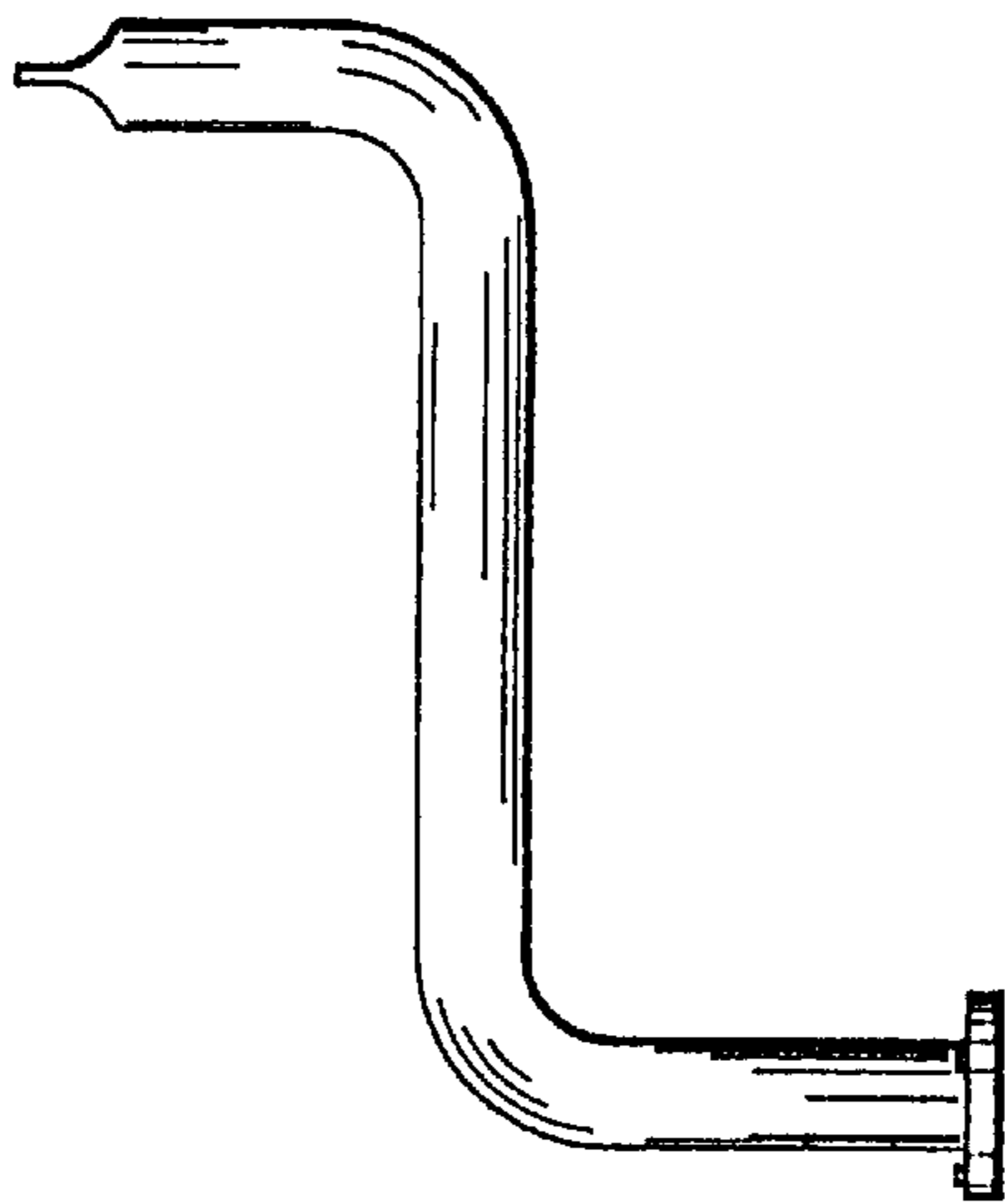


FIG. 3



FIG. 5

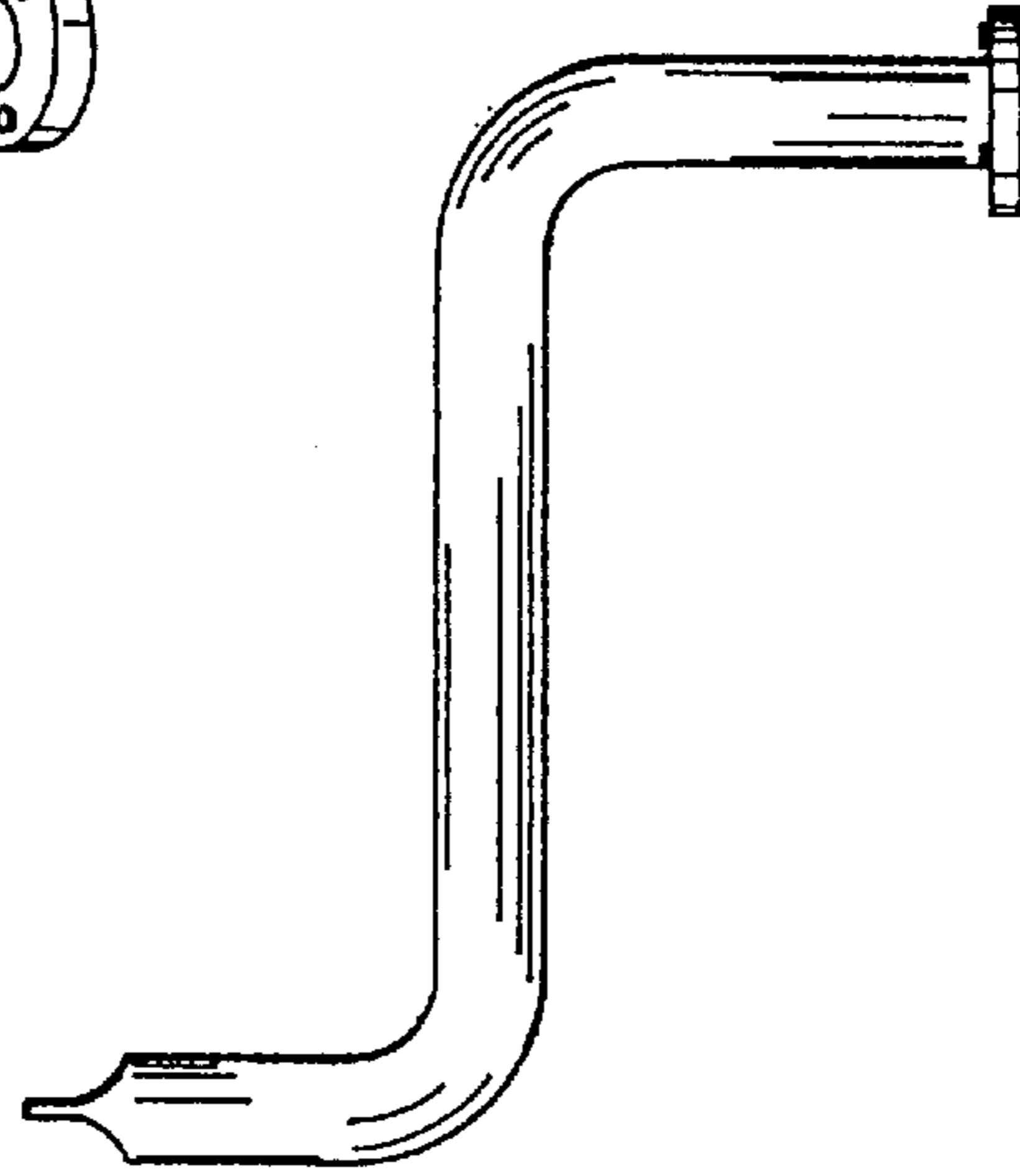


FIG. 6



FIG. 7

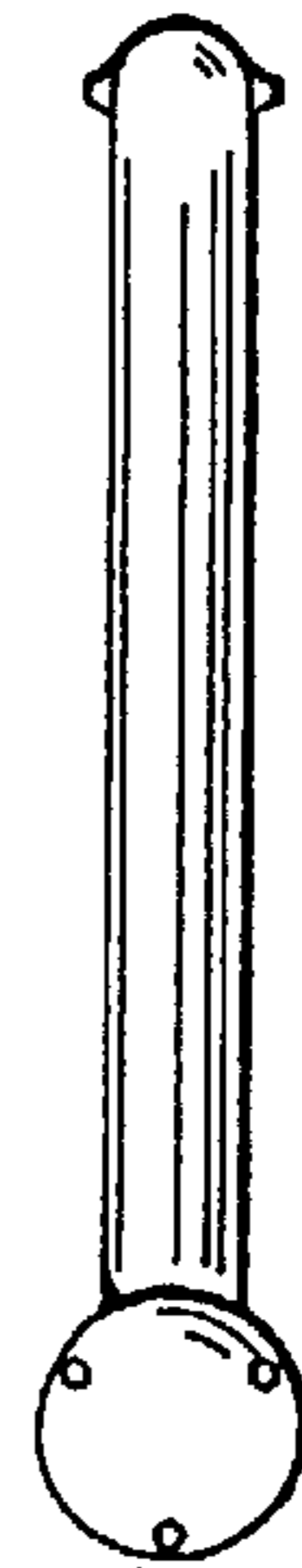


FIG. 4

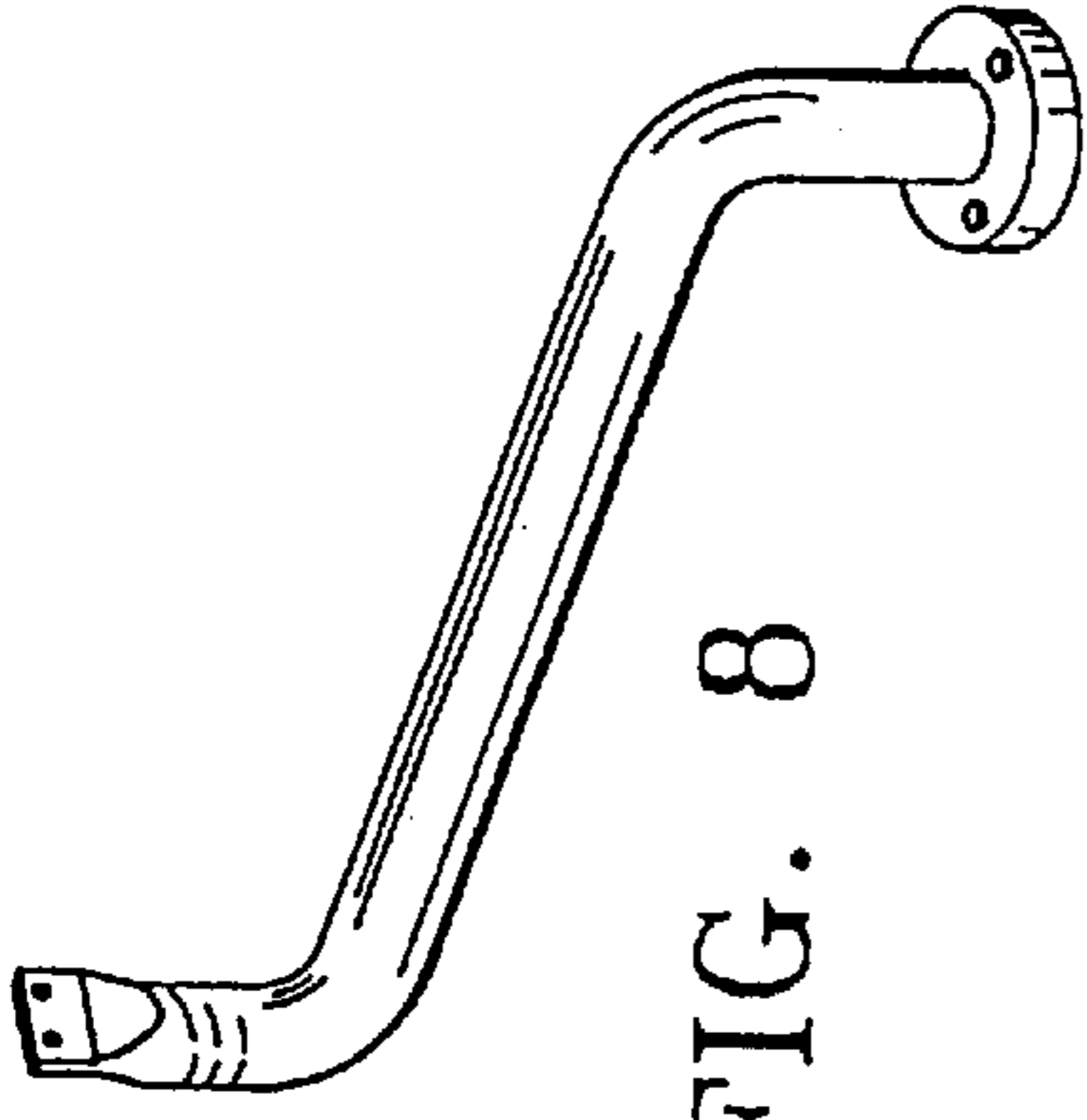


FIG. 8

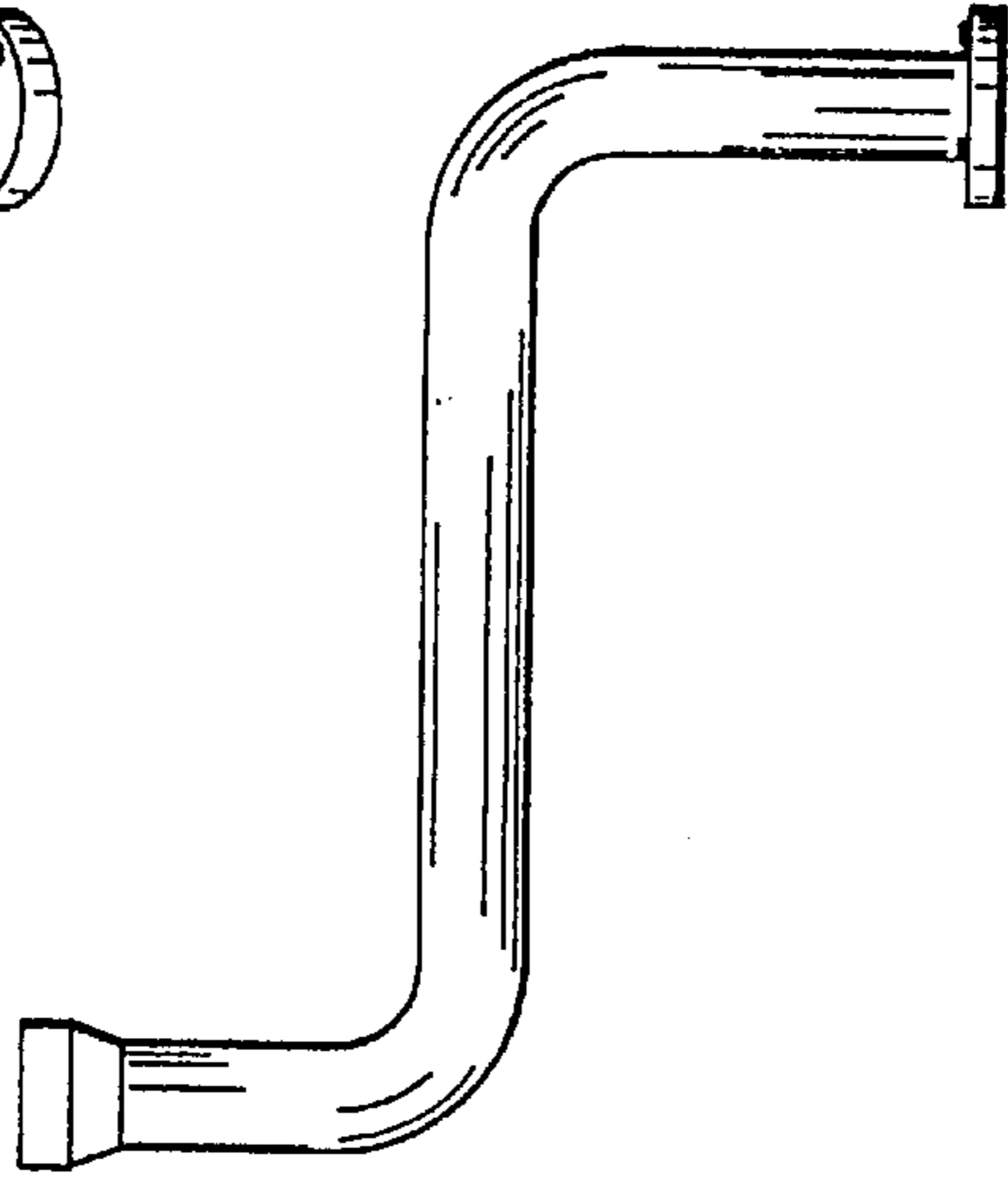


FIG. 13



FIG. 14

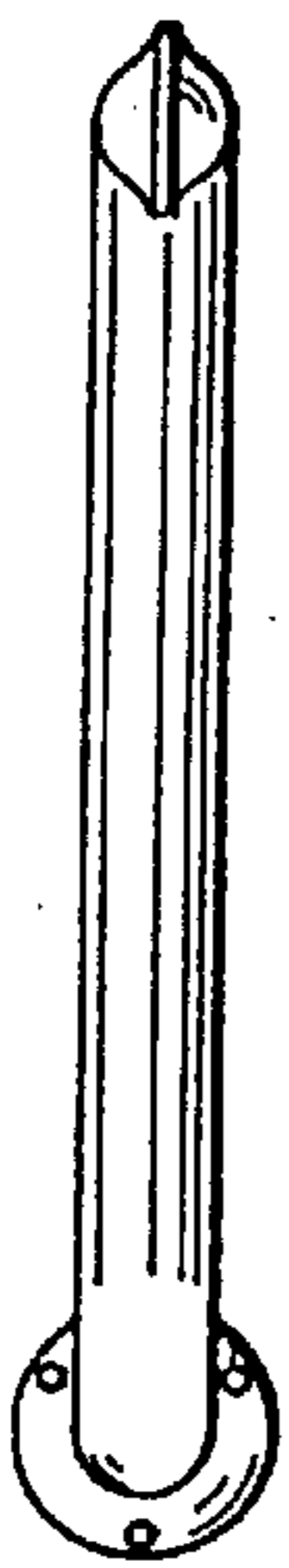


FIG. 9

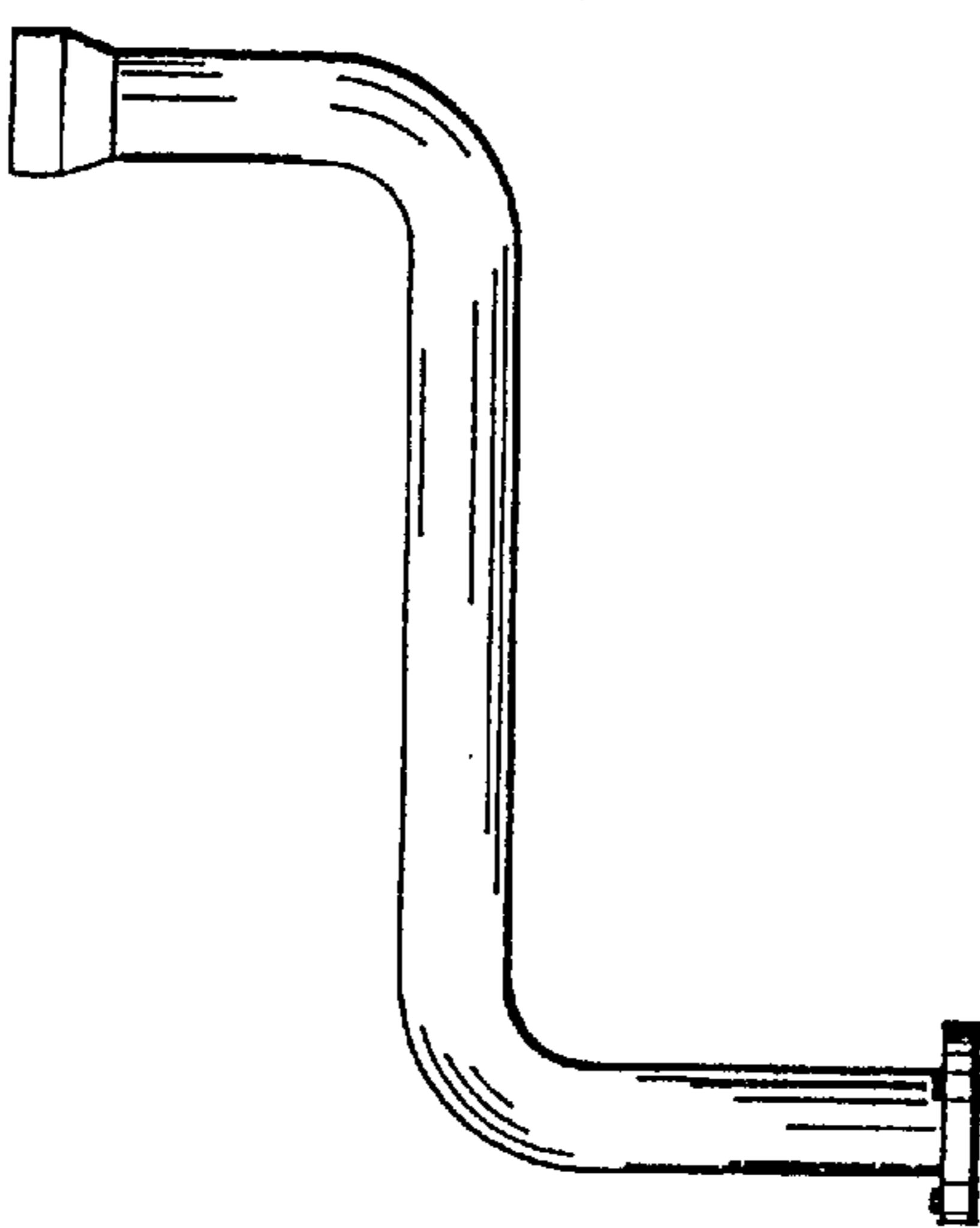


FIG. 10

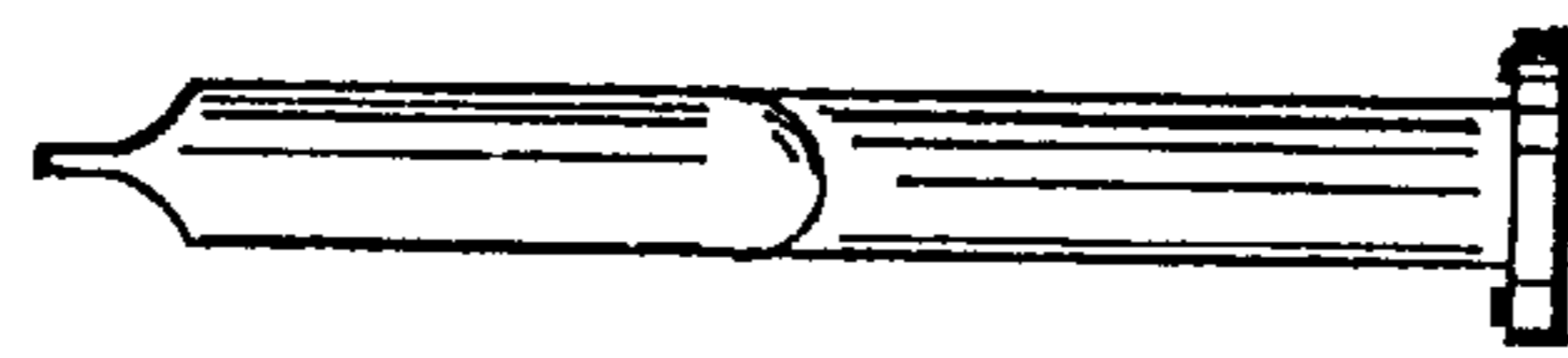


FIG. 12



FIG. 11