



US00D417802S

United States Patent [19]
Spurgeon et al.

[11] **Patent Number: Des. 417,802**
[45] **Date of Patent: ** Dec. 21, 1999**

[54] **COAT HANGER HOLDER**

[76] Inventors: **Lindsey Lee Spurgeon**, 654 Dunlap Rd., Kingsport, Tenn. 37663; **Bradley Byron Dodson**, 8075 Hwy. 152 W., Mooresville, N.C. 28115

[**] Term: **14 Years**

[21] Appl. No.: **29/096,005**

[22] Filed: **Nov. 3, 1998**

[51] **LOC (6) Cl.** **06-04**

[52] **U.S. Cl.** **D6/467**

[58] **Field of Search** D6/455, 457, 466-468, D6/475, 476; D8/367, 373; 206/300; 211/49.1, 60.1, 126.1, 133.4; 248/127, 146, 176.1

[56] **References Cited**

U.S. PATENT DOCUMENTS

Re. 20,814	8/1938	Backer .	
D. 222,085	9/1971	Boley	D6/467
D. 337,513	7/1993	Soloway et al. .	
D. 392,818	3/1998	Shawhan	D6/467
891,490	6/1908	Lippold .	
1,679,204	7/1928	Coney et al. .	
2,074,789	3/1937	Hopkins .	
2,122,324	6/1938	McDermott .	
2,530,609	11/1950	Friedman .	
2,609,919	9/1952	Lee .	
2,918,174	12/1959	Tabbi .	

3,115,968	12/1963	Peterson .
3,490,599	1/1970	Von Maur, Jr. .
3,692,188	9/1972	Bayne .
3,814,008	6/1974	Beshara .
4,016,981	4/1977	Hildt .
4,058,222	11/1977	Singer .
4,424,905	1/1984	Keen .
5,188,241	2/1993	Kobza et al. .
5,348,166	9/1994	Lema .

Primary Examiner—Jeffrey Asch
Assistant Examiner—Linda Brooks
Attorney, Agent, or Firm—Dilworth & Barrese

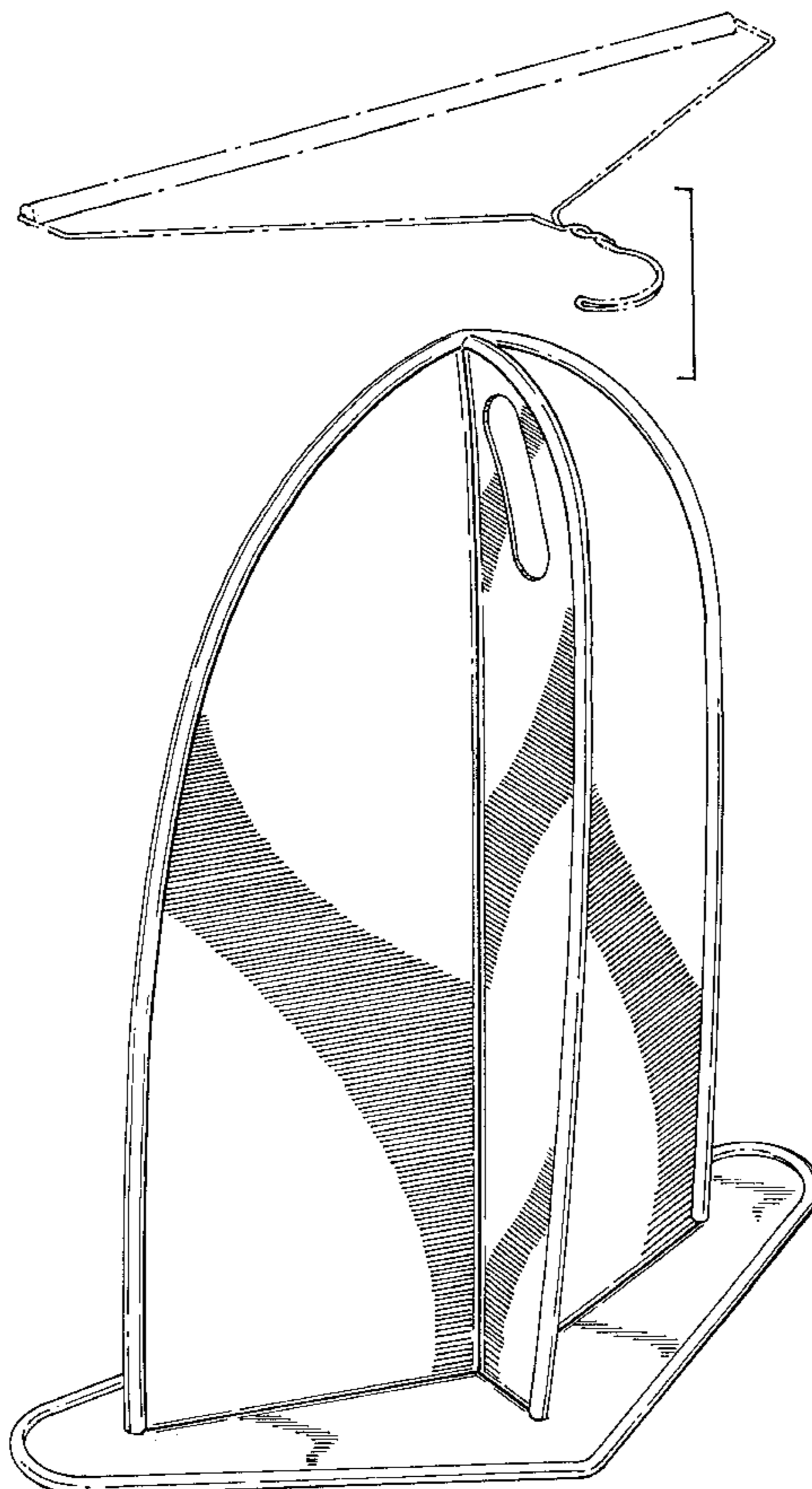
[57] **CLAIM**

The ornamental design for a coat hanger holder, as shown and described.

DESCRIPTION

FIG. 1 is a perspective view of a coat hanger showing our new design;
FIG. 2 is a front view of the coat hanger holder;
FIG. 3 is a side elevational view of the coat hanger holder, the opposite side being a mirror image;
FIG. 4 is a rear view of the coat hanger holder;
FIG. 5 is a top view of the coat hanger holder; and,
FIG. 6 is a bottom view of the coat hanger holder.
The broken line showing of a hanger is for illustrative purposes only and forms no part of the claimed design.

1 Claim, 5 Drawing Sheets



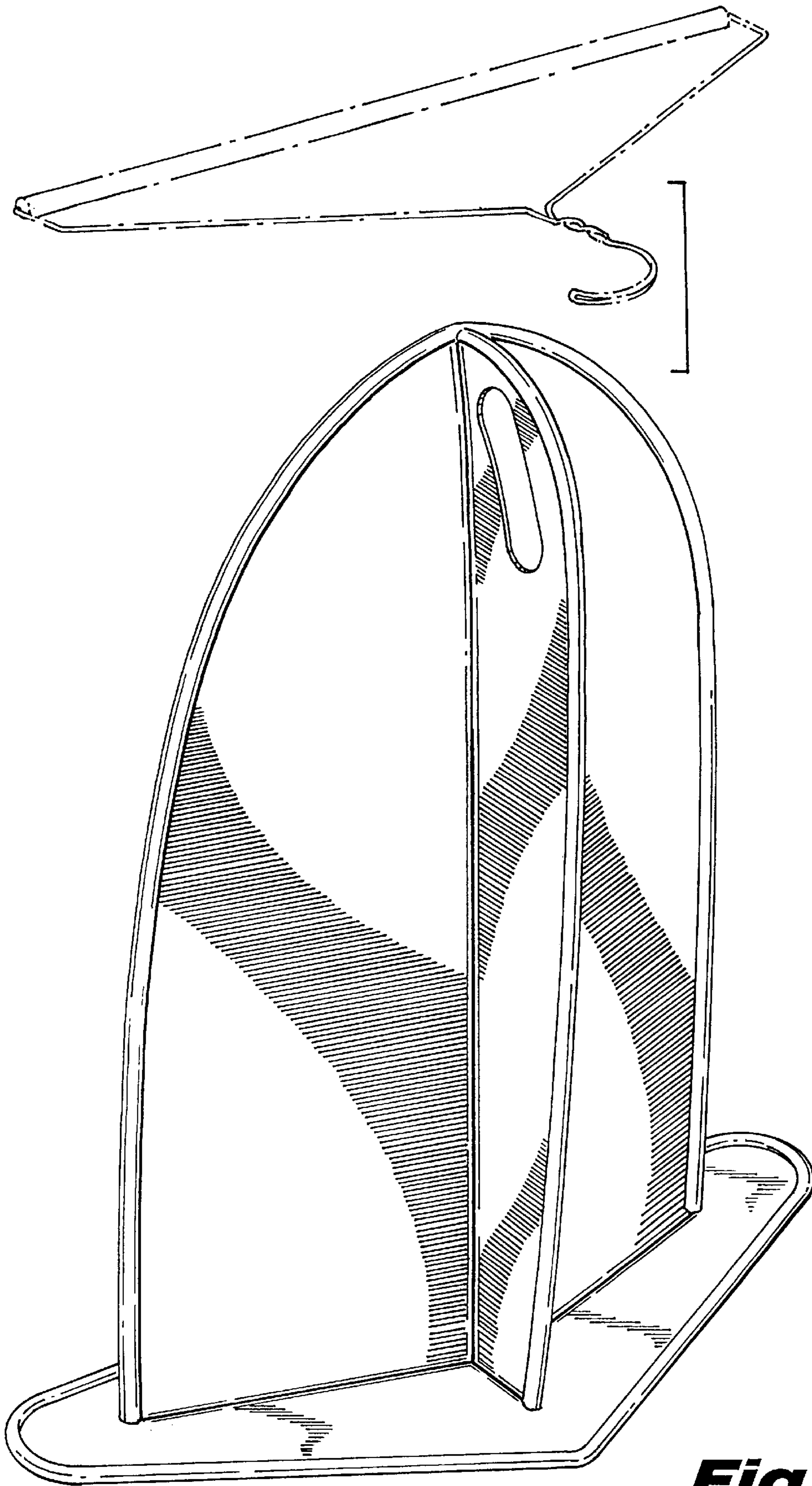


Fig. 1

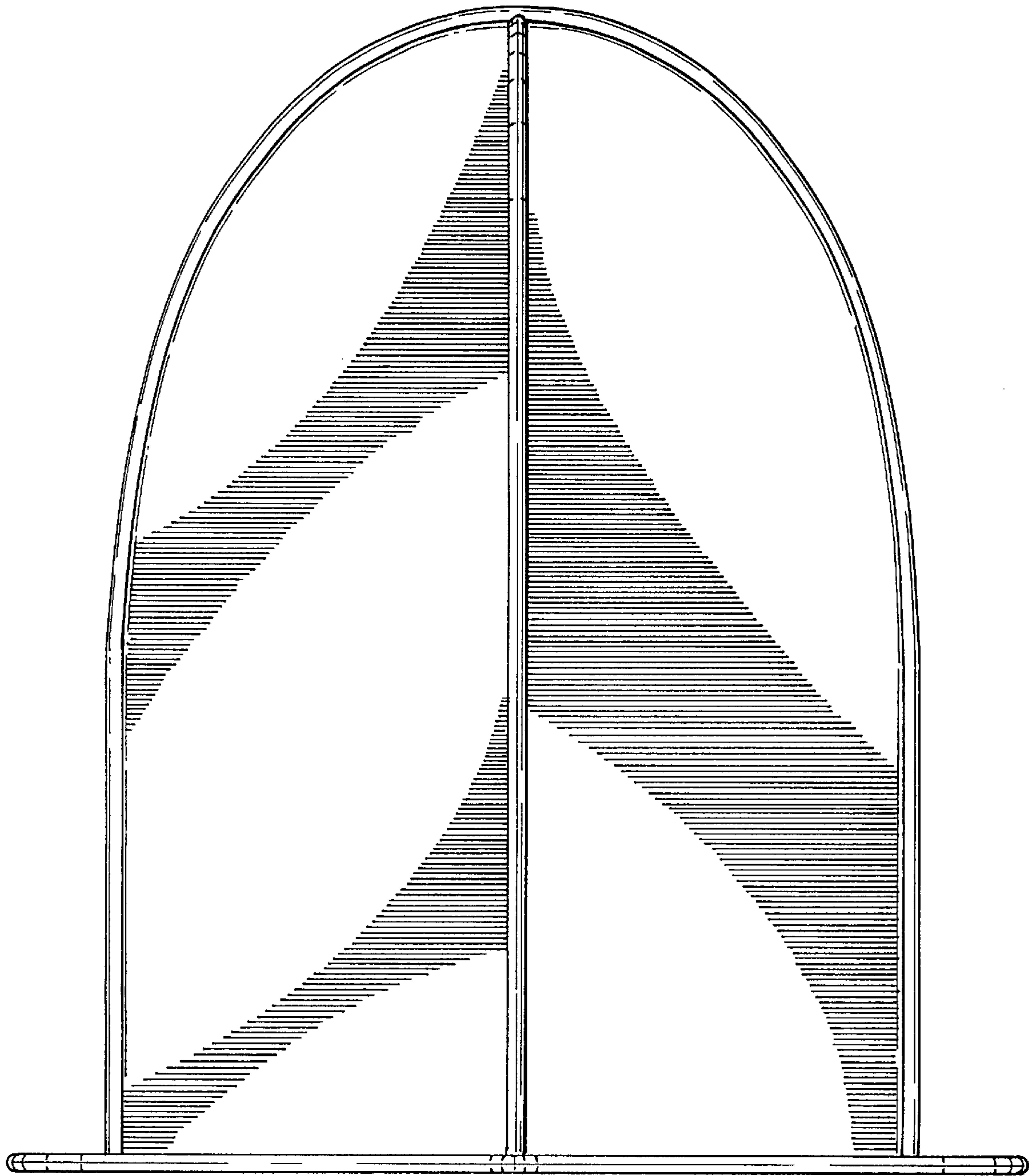


Fig. 2

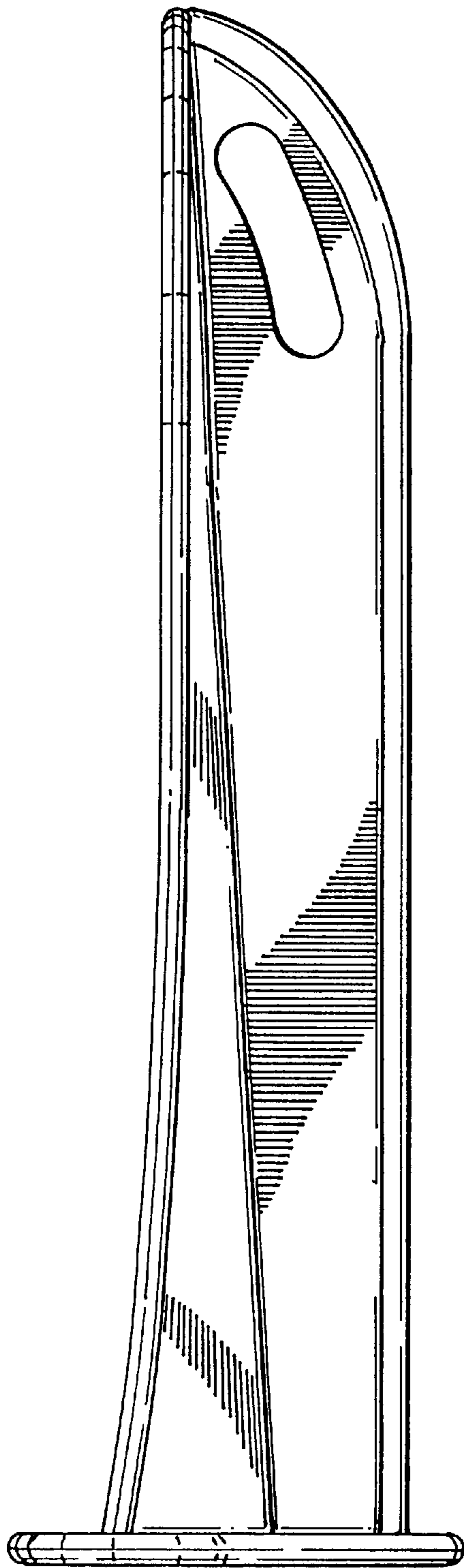


Fig. 3

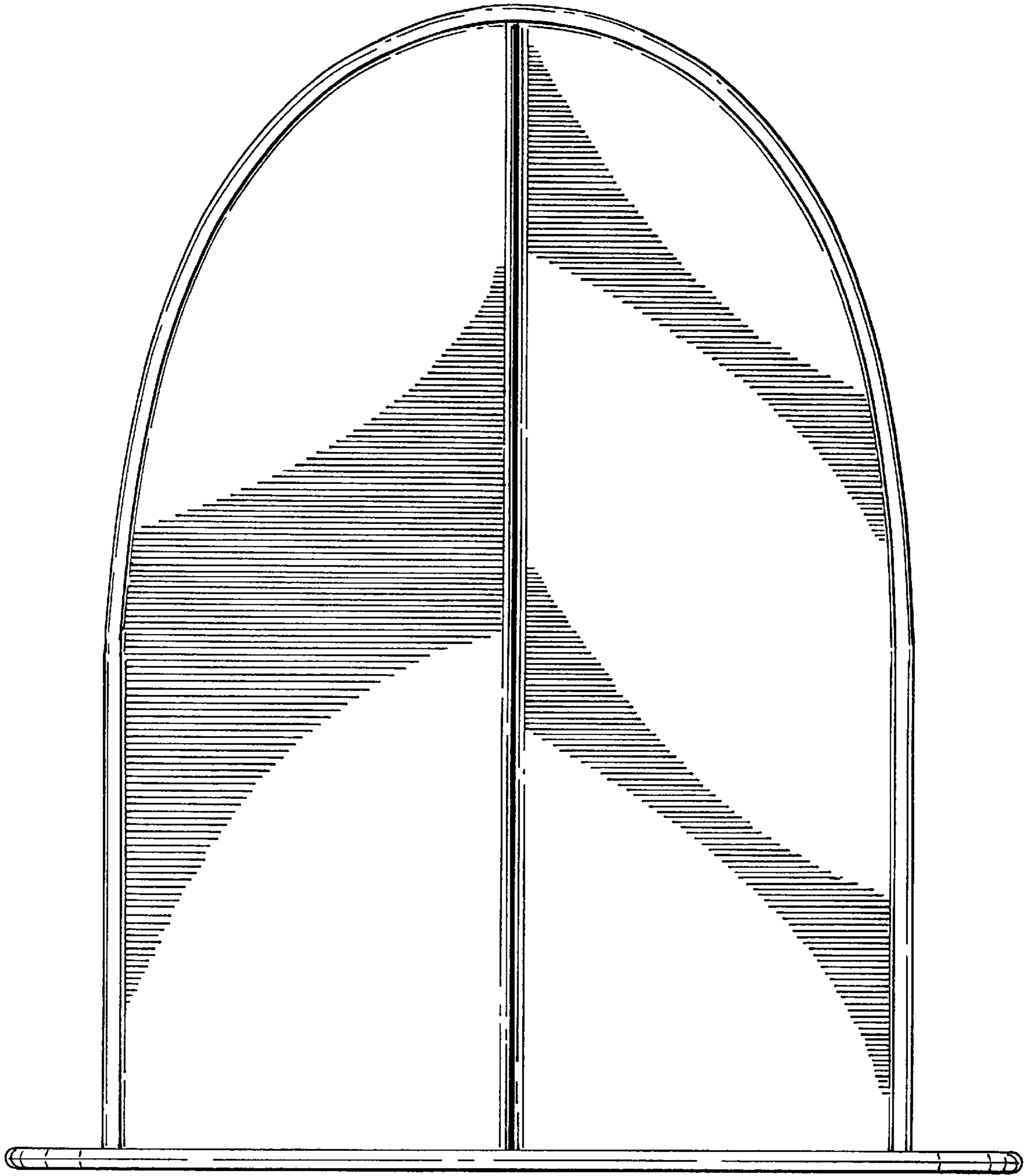


Fig. 4

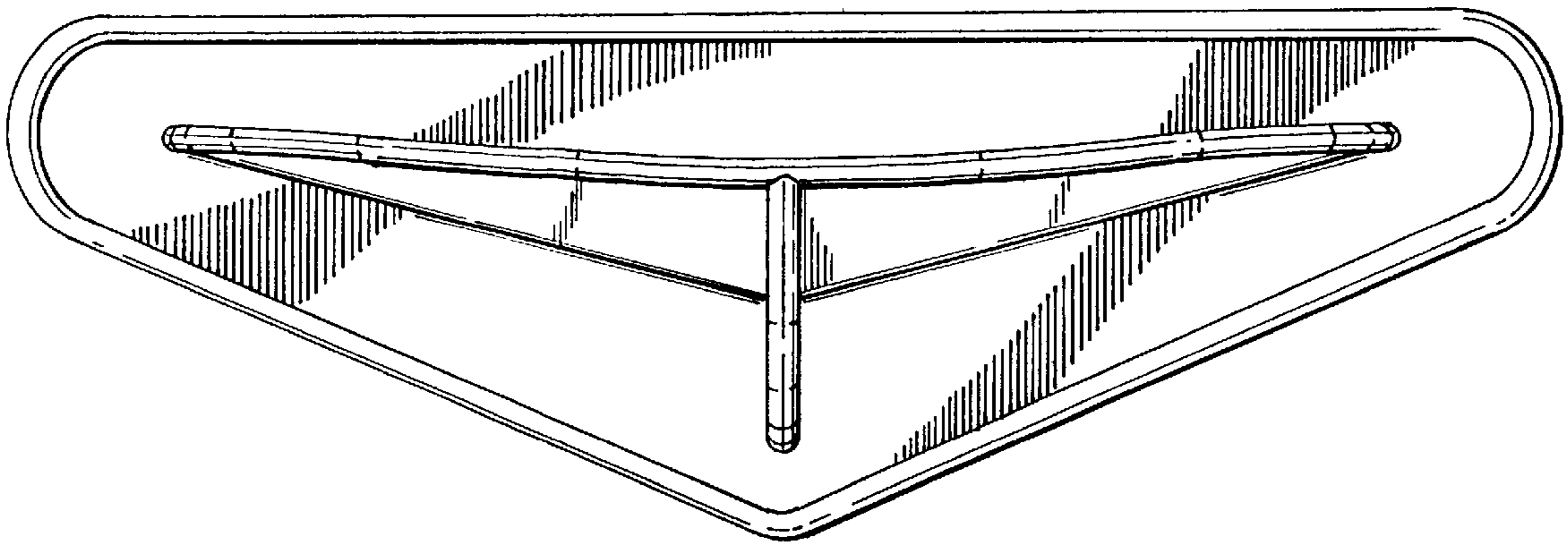


Fig. 5

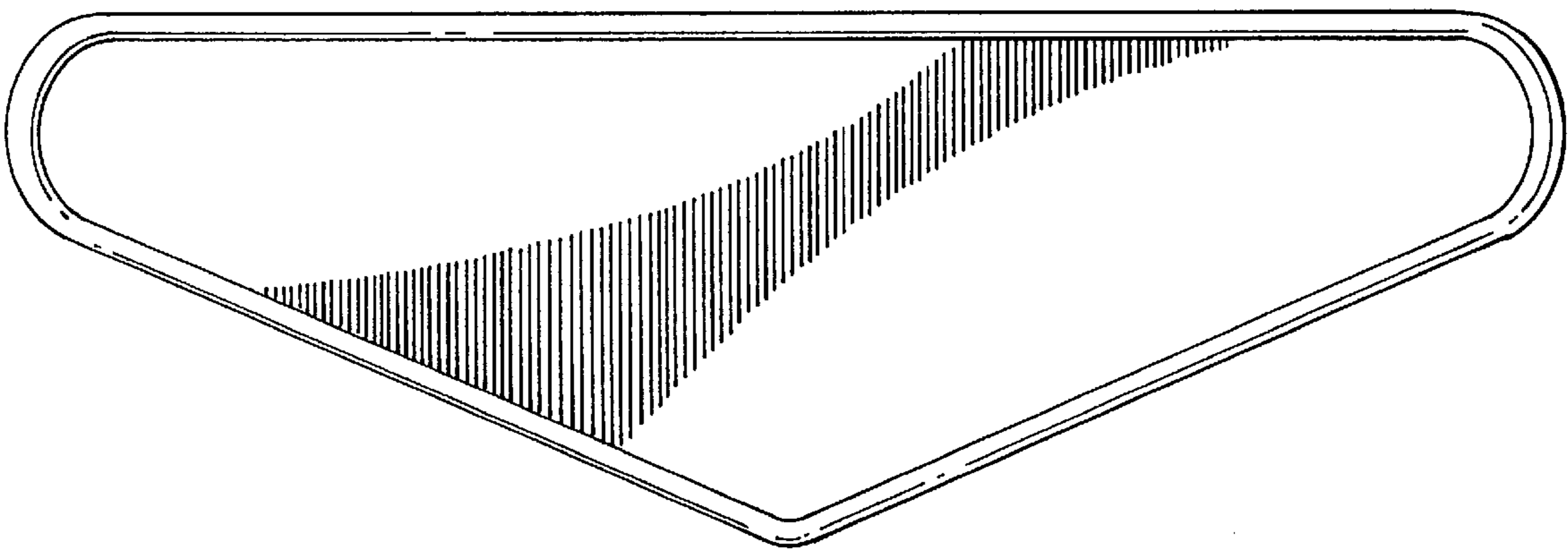


Fig. 6