



US00D417798S

# United States Patent [19]

Henson

[11] Patent Number: Des. 417,798

[45] Date of Patent: \*\* Dec. 21, 1999

[54] MAILBOX-MOUNTED HOLDER FOR POTTED PLANTS

1,146,891 7/1915 Maas ..... 47/45  
2,588,596 3/1952 Weber ..... 47/39 X

[76] Inventor: David W. Henson, 711 Hillshire Pl.,  
Tupelo, Miss. 38801

Primary Examiner—Doris V. Coles  
Assistant Examiner—Linda Brooks  
Attorney, Agent, or Firm—Kirschstein, et al.

[\*\*] Term: 14 Years

### [57] CLAIM

[21] Appl. No.: 29/096,404

The ornamental design for a mailbox-mounted holder for potted plants, as shown and described.

[22] Filed: Nov. 12, 1998

### DESCRIPTION

[51] LOC (6) Cl. .... 11-02

[52] U.S. Cl. .... D6/405

[58] Field of Search ..... D6/405, 403, 556,  
D6/558; D11/143, 152, 155; 206/423; 248/27.8;  
211/85.23, 85.29, 85.31; 47/44-47; D99/29,  
43; 232/38, 39

FIG. 1 is a perspective view of a mailbox-mounted holder for potted plants on a reduced scale according to my new design, with a mailbox and a potted plant being shown in phantom lines only for environmental purposes and forming no part of this design;

FIG. 2 is an enlarged top plan view of FIG. 1;

FIG. 3 is an end elevational view of FIG. 2, both end views being identical;

FIG. 4 is a side elevational view of FIG. 2, both side views being identical; and,

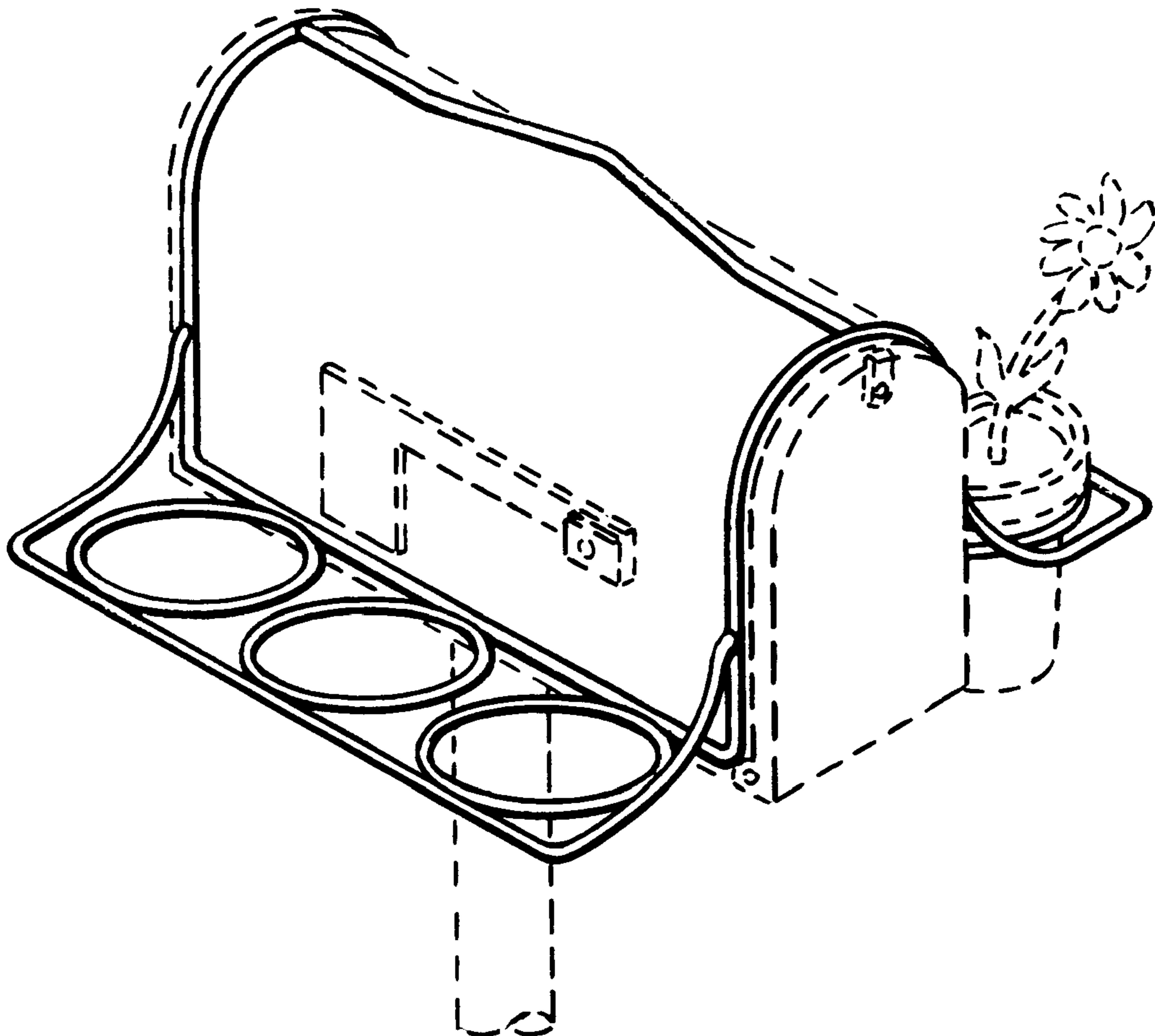
FIG. 5 is a bottom plan view of FIG. 2.

### [56] References Cited

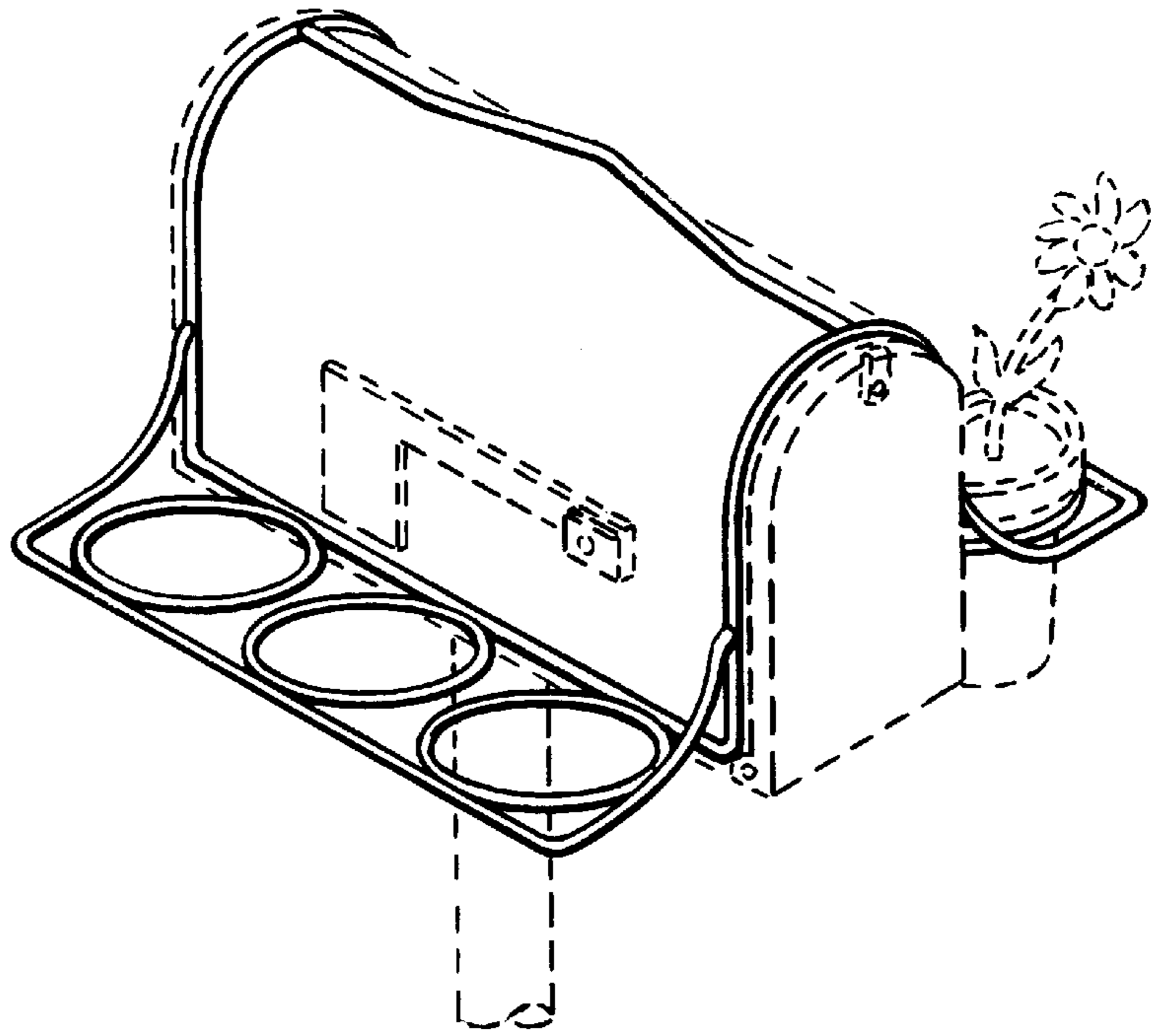
#### U.S. PATENT DOCUMENTS

D. 177,878	5/1956	Sceeles	.....	D6/558
D. 300,699	4/1989	Penrod	.....	D6/405
D. 345,871	4/1994	Anderson	.....	D6/405
D. 353,790	12/1994	Emalfarb et al.	.....	D11/155

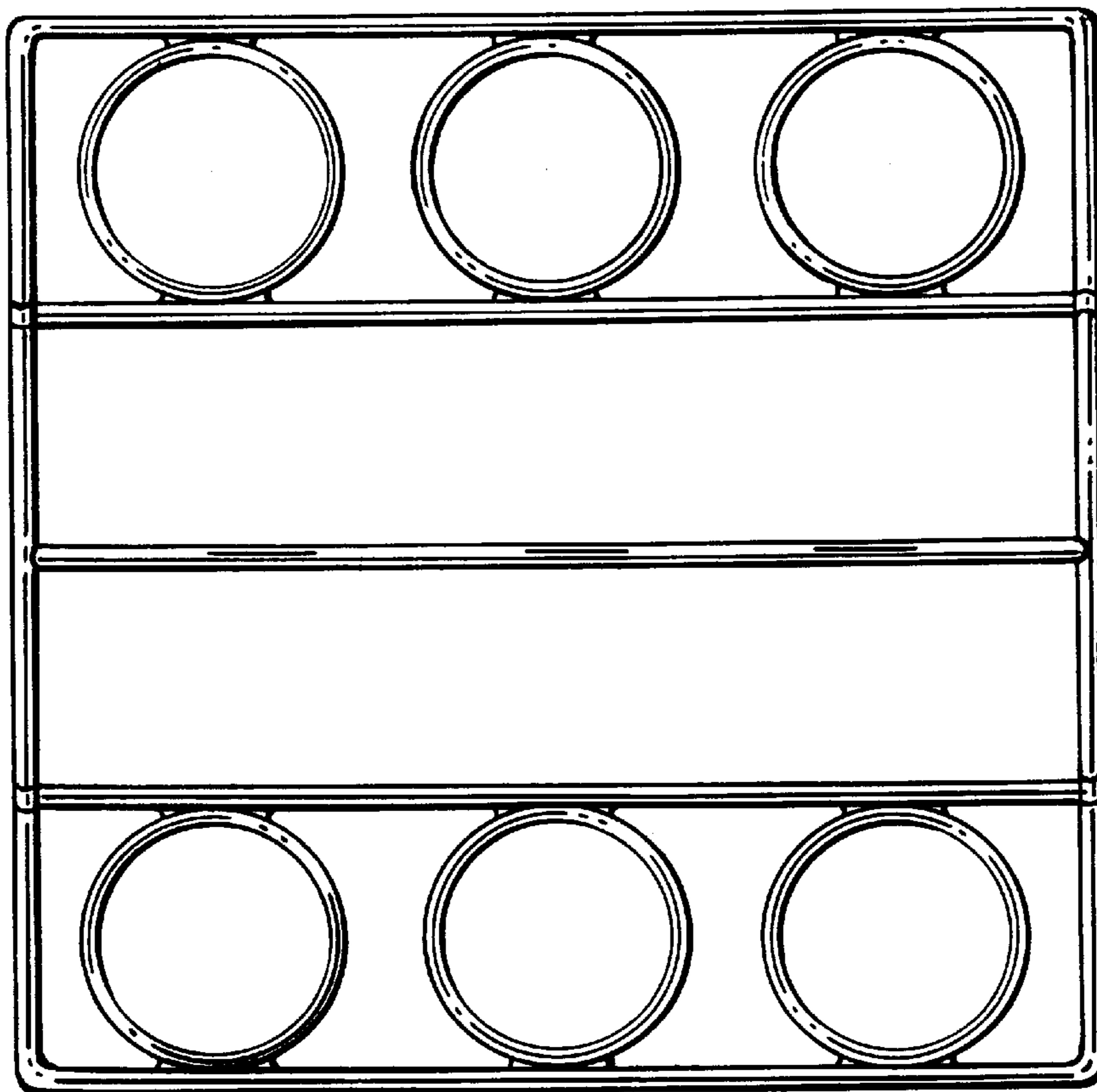
1 Claim, 2 Drawing Sheets

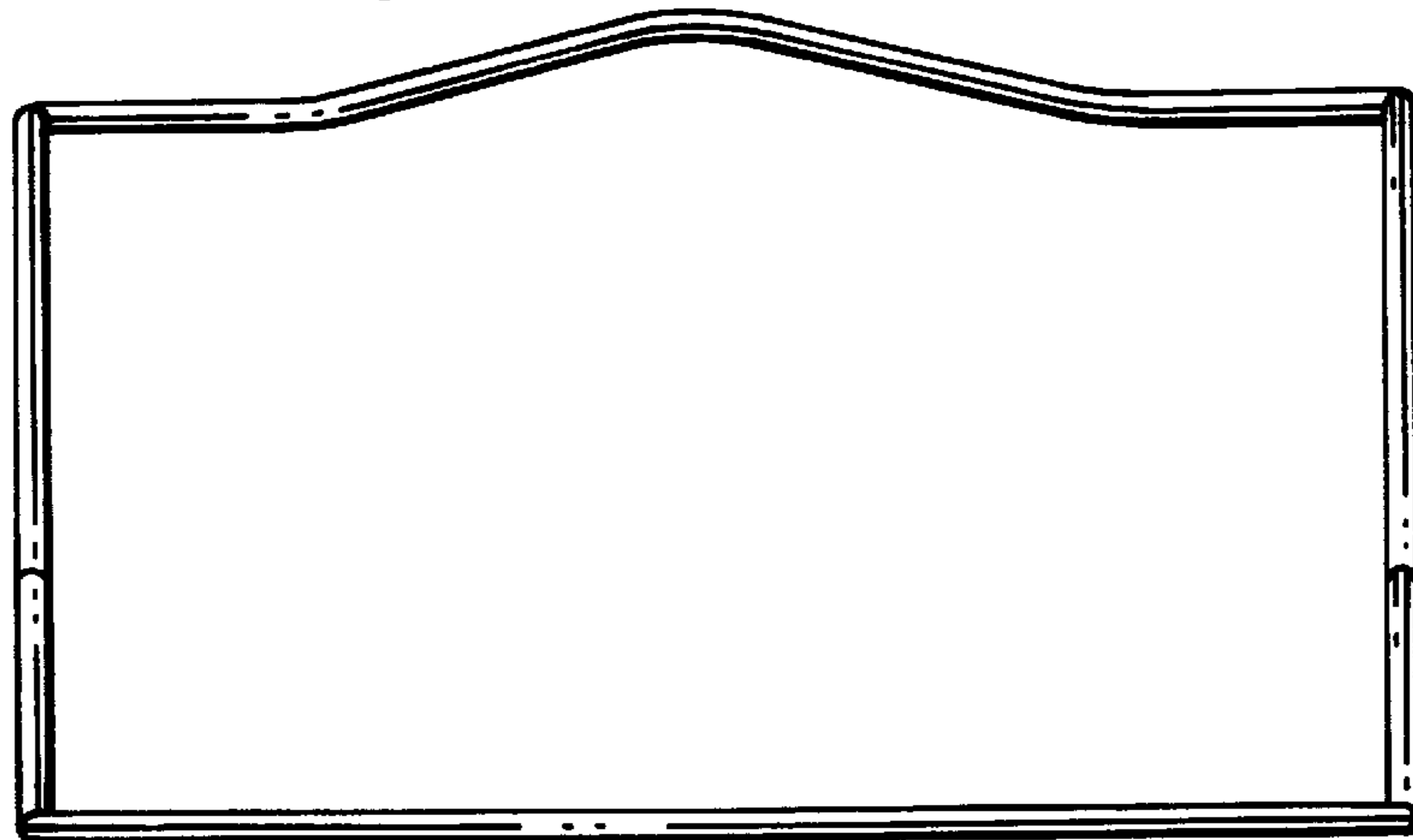
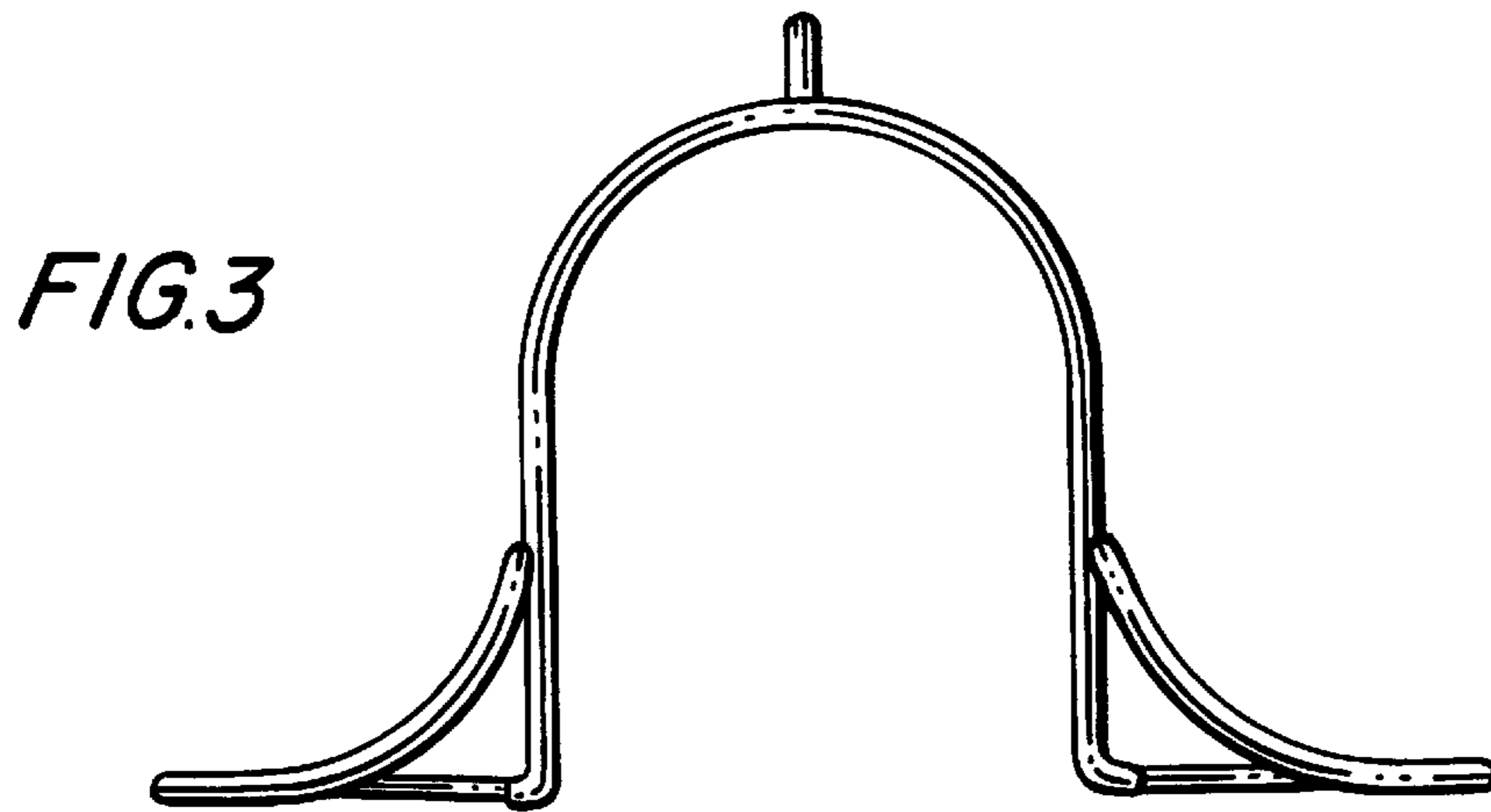


*FIG. 1*

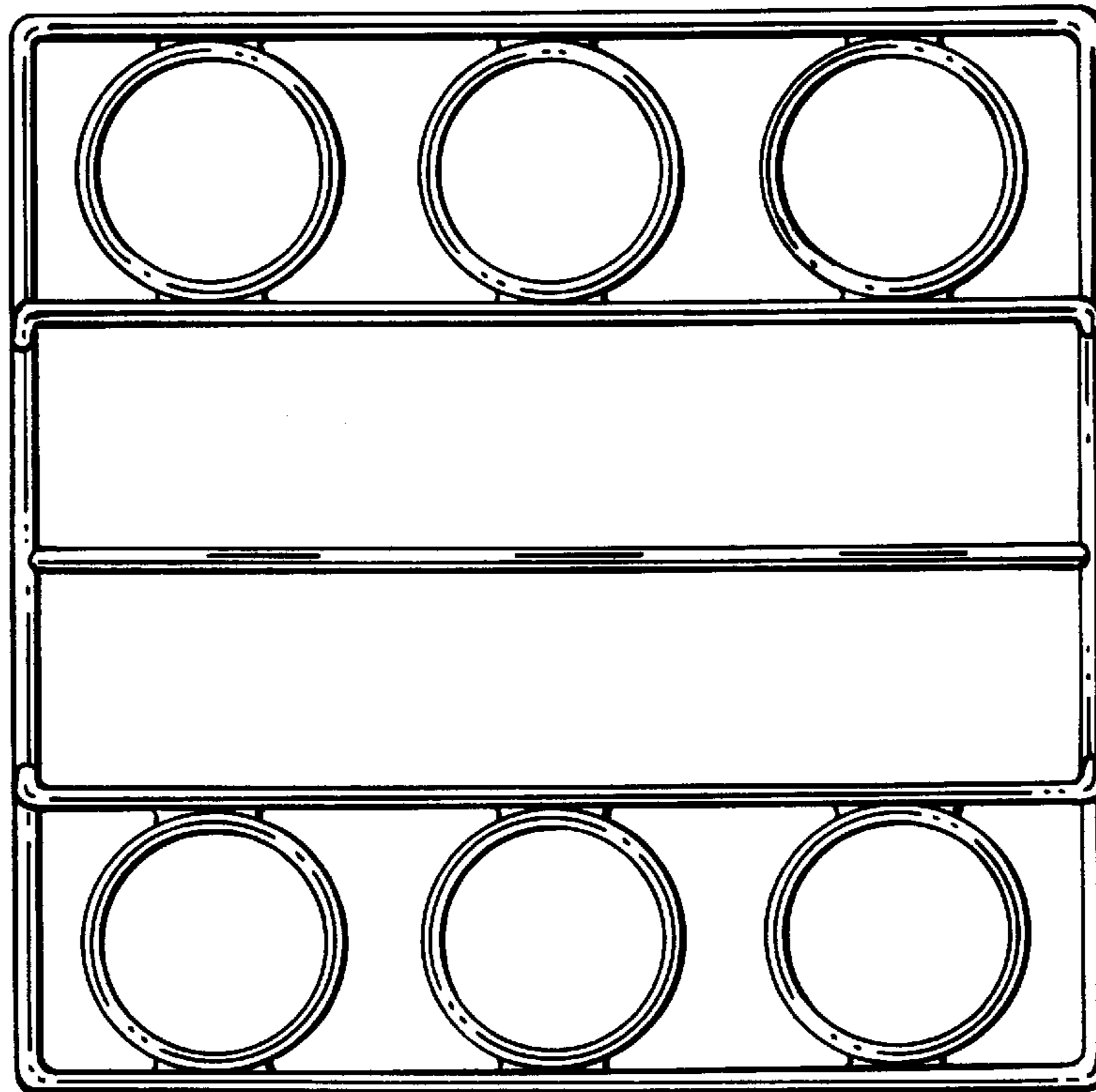


*FIG. 2*





*FIG. 4*



*FIG. 5*