



US00D417796S

United States Patent [19]

Rehmert et al.

[11] **Patent Number: Des. 417,796**

[45] **Date of Patent: ** Dec. 21, 1999**

[54] **CHAIR**

[76] Inventors: **Rory S. Rehmert; Timothy M. LeRoy; D. Michael Howell; William J. McCanna; James F. Kemp; Jackie E. Hogan**, all of P.O. Box 1357, Birmingham, Ala. 35201

[**] Term: **14 Years**

[21] Appl. No.: **29/087,789**

[22] Filed: **May 8, 1998**

[51] **LOC (6) Cl. 06-01**

[52] **U.S. Cl. D6/376; D6/344; D6/365**

[58] **Field of Search D6/334, 344, 358, D6/364, 365, 369, 374, 375, 376, 379, 500, 501, 502; 297/240, 259.3, 259.4, 260.1, 265.1, 452.63, 452.64**

[56] **References Cited**

U.S. PATENT DOCUMENTS

D. 189,344 11/1960 Woodard D6/358

D. 272,020 1/1984 Baty D6/344
D. 335,586 5/1993 Hess D6/376
D. 392,118 3/1998 Proserpio D6/369

Primary Examiner—Gary D. Watson

[57] **CLAIM**

The ornamental design for a chair, as shown and described.

DESCRIPTION

FIG. 1 is a perspective view of chair showing our new design;

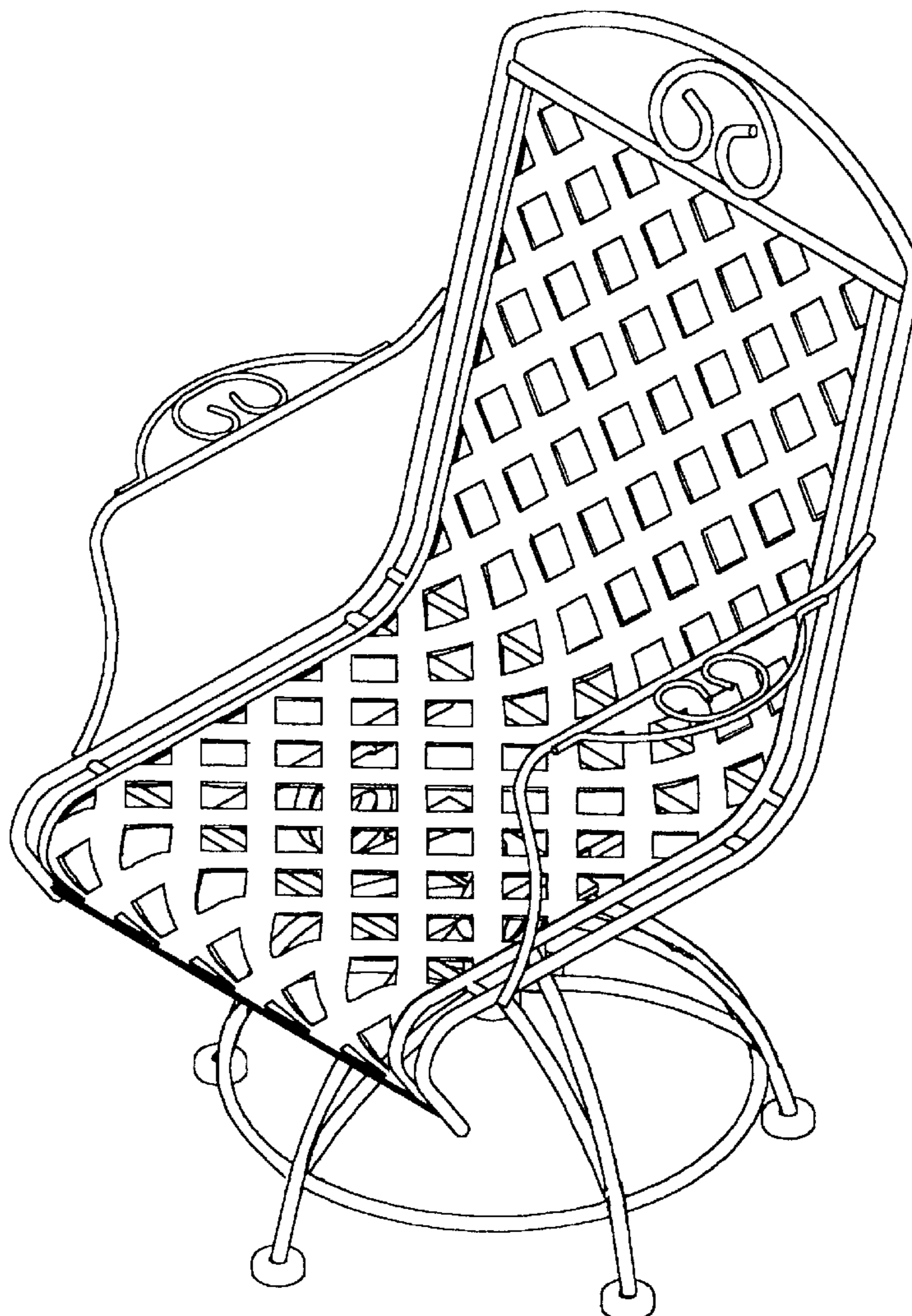
FIG. 2 is a front view thereof;

FIG. 3 is a side elevation view, the opposite side view being a mirror image thereof; and,

FIG. 4 is a top view thereof.

The rear of the chair forms no part of the claimed design. FIGS. 2 and 3 have been shown on an enlarged scale with respect to FIG. 1 and FIG. 4 has been shown on a further enlarged scale.

1 Claim, 4 Drawing Sheets



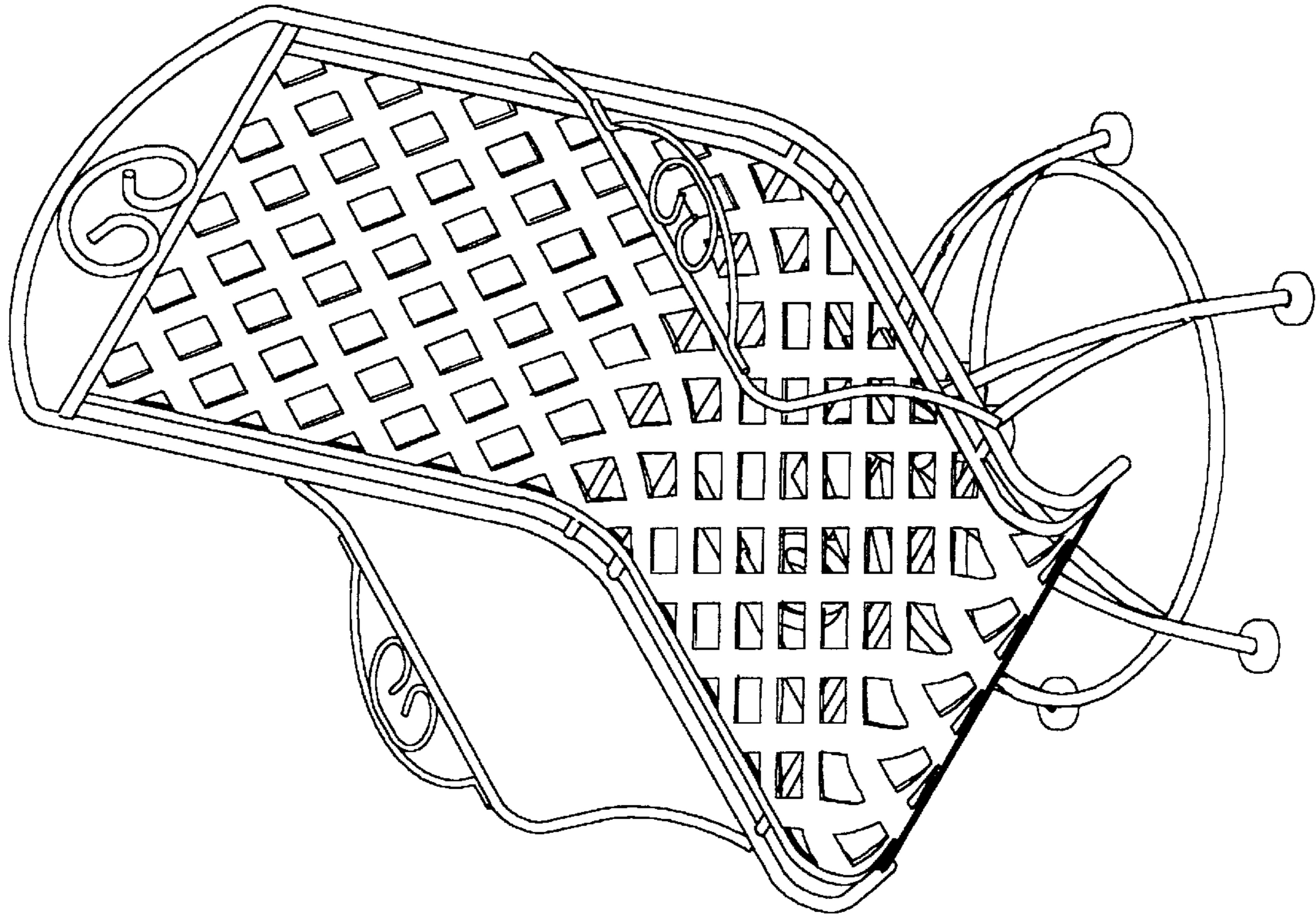


Fig. 1

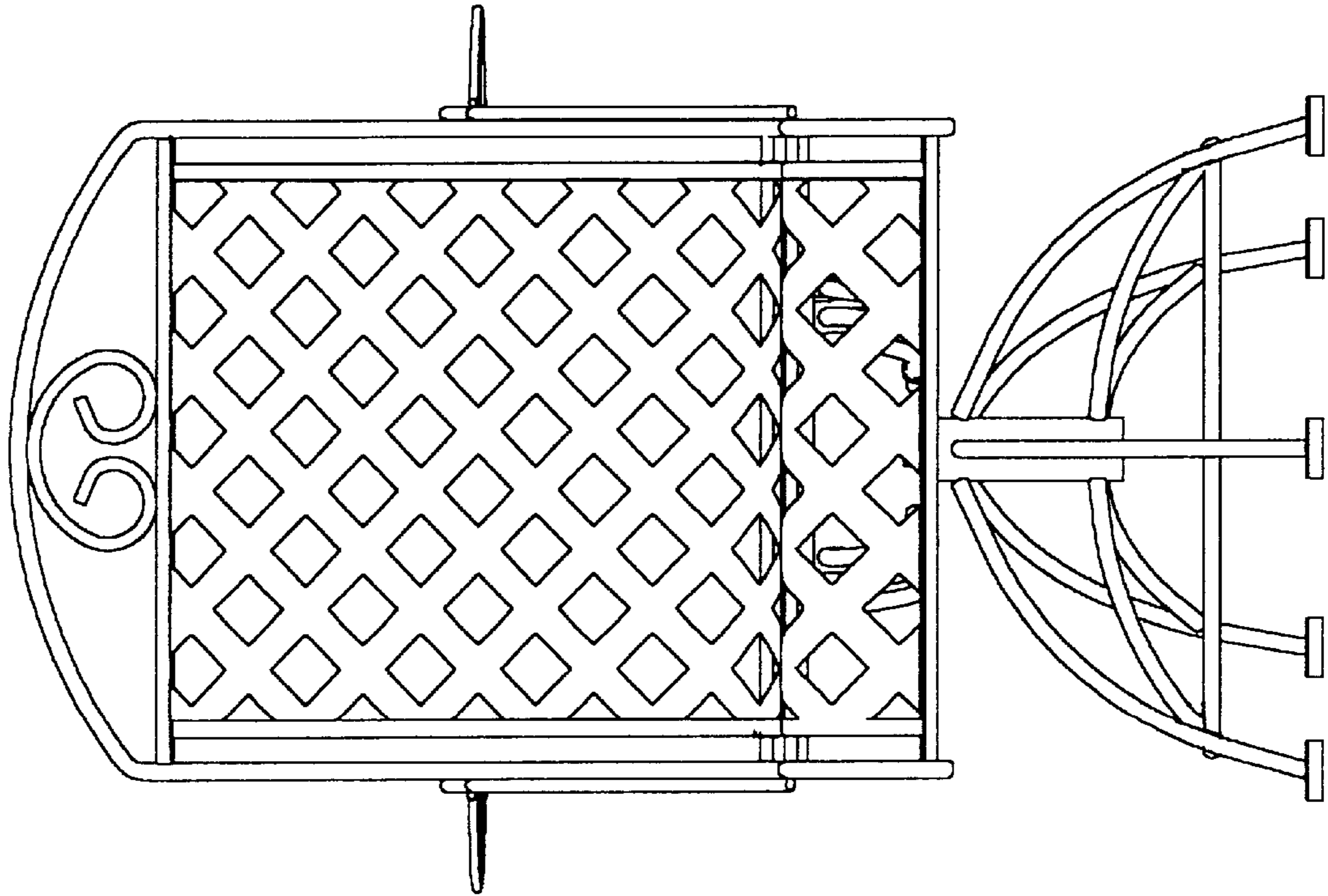


Fig. 2

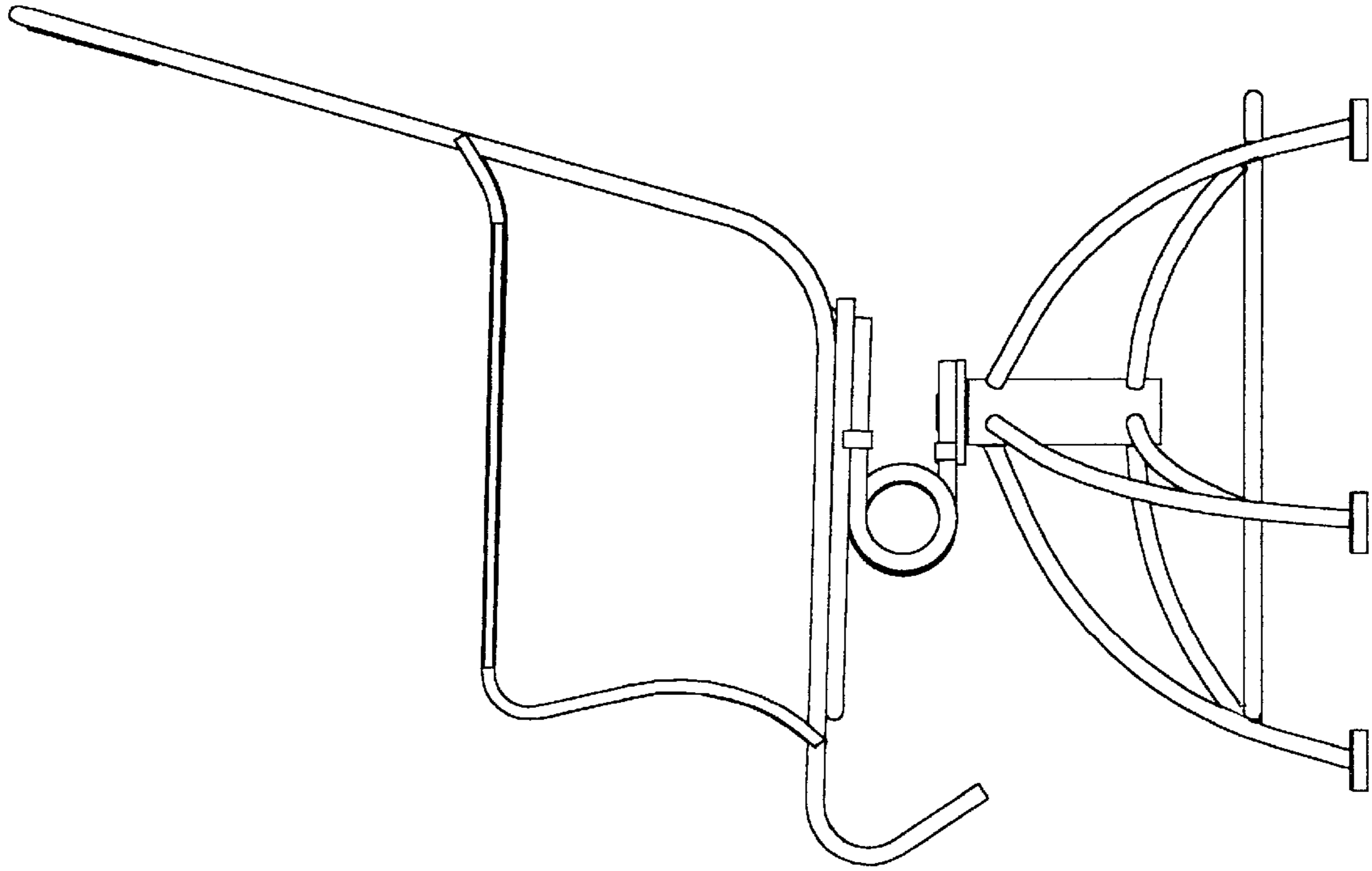


Fig. 3

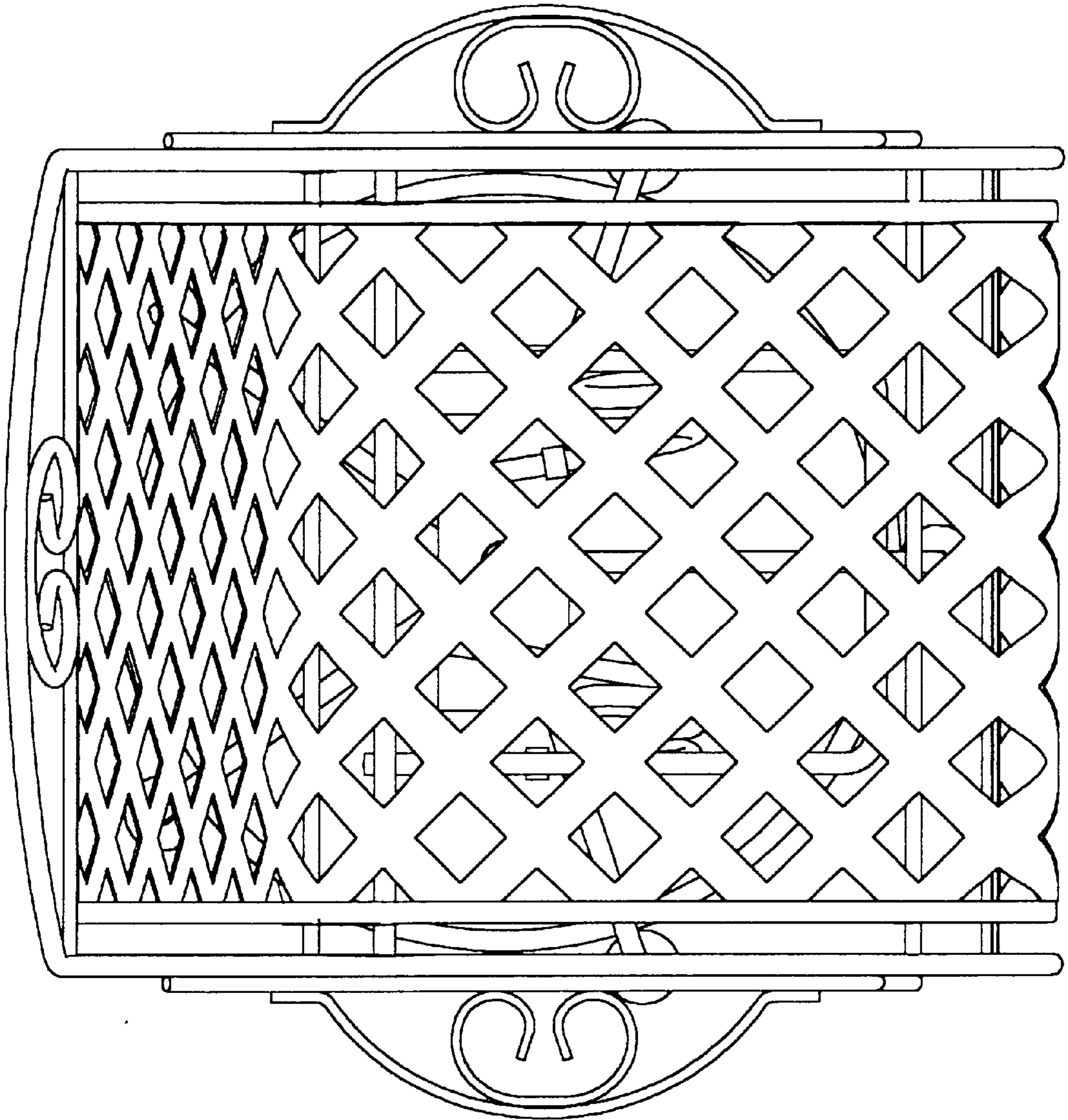


Fig. 4