



US00D417792S

# United States Patent [19]

Hansen et al.

[11] Patent Number: **Des. 417,792**

[45] Date of Patent: **\*\* Dec. 21, 1999**

[54] **OFFICE CHAIR**

[75] Inventors: **Eckhard Hansen**, St. Margrethen;  
**Stefan Preisig**, Zollikon, both of  
Switzerland

[73] Assignee: **Klöber GmbH**, Überlingen, Germany

[\*\*] Term: **14 Years**

[21] Appl. No.: **29/095,569**

[22] Filed: **Oct. 26, 1998**

[30] **Foreign Application Priority Data**

Apr. 29, 1998 [DE] Germany ..... M 98 04 299

[51] **LOC (6) Cl.** ..... **06-01**

[52] **U.S. Cl.** ..... **D6/366**

[58] **Field of Search** ..... D6/334, 364, 365,  
D6/366, 367, 500, 501, 502; 297/411.2

[56] **References Cited**

**U.S. PATENT DOCUMENTS**

- D. 273,728 5/1984 Cafiero ..... D6/366
- D. 274,769 7/1984 Klier ..... D6/366

- D. 309,990 8/1990 von Klier et al. .... D6/366
- D. 332,182 1/1993 Citterio ..... D6/366
- D. 350,032 8/1994 Beaulieu ..... D6/366
- D. 375,009 10/1996 Webb ..... D6/500
- D. 390,712 2/1998 Koepke ..... D6/366
- D. 391,790 3/1998 Breen ..... D6/500
- D. 405,283 2/1999 James ..... D6/366

*Primary Examiner*—Gary D. Watson  
*Attorney, Agent, or Firm*—Hill & Simpson

[57] **CLAIM**

The ornamental design for an office chair, as shown and described.

**DESCRIPTION**

FIG. 1 is a perspective view of an office chair made according to the preferred embodiment of the present invention;  
 FIG. 2 is a front view thereof;  
 FIG. 3 is a rear view thereof;  
 FIG. 4 is a right side elevational view thereof;  
 FIG. 5 is a bottom plan view thereof;  
 FIG. 6 is a top plan view thereof; and,  
 FIG. 7 is a left side elevational view thereof.

**1 Claim, 4 Drawing Sheets**

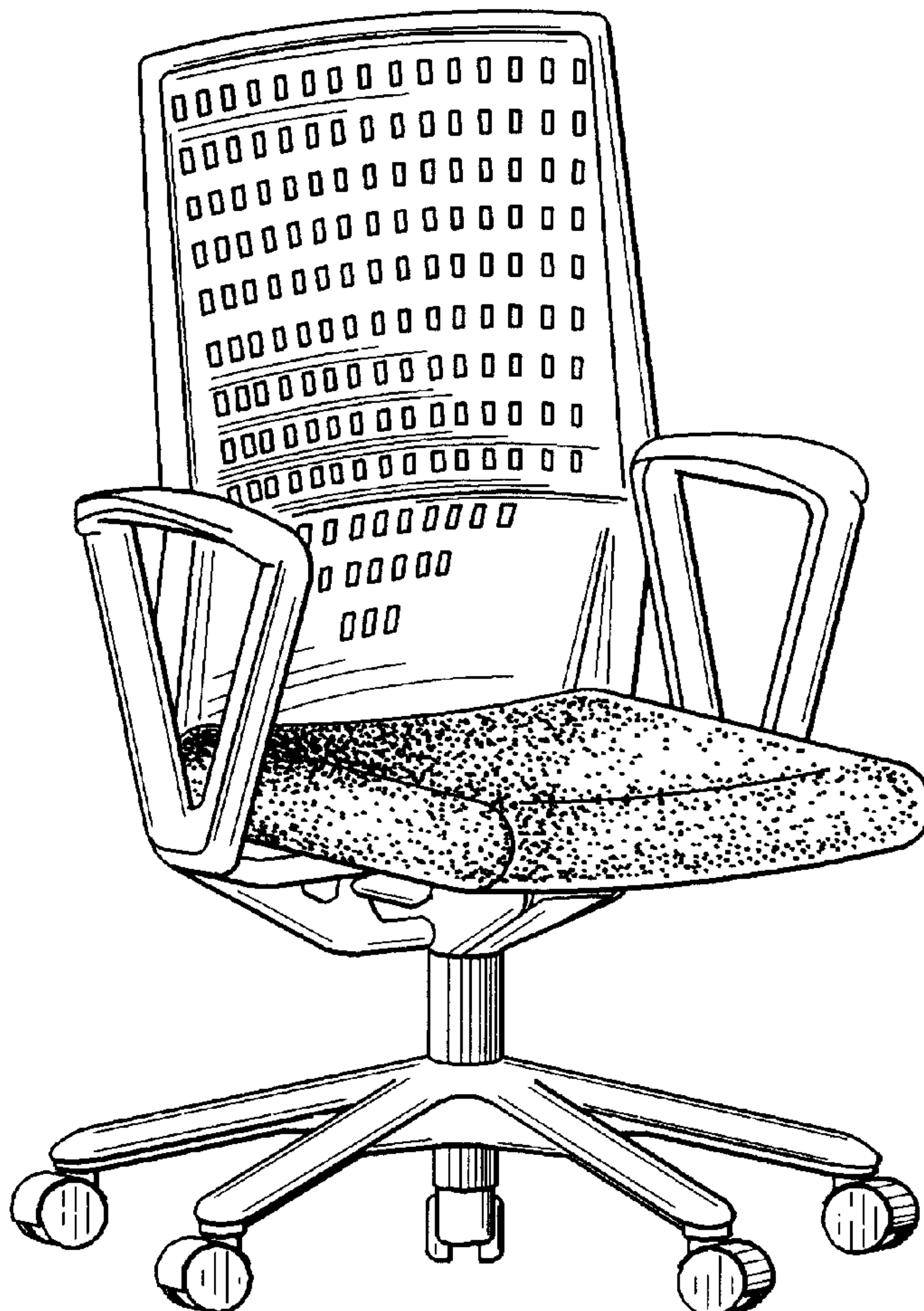


FIG. 1

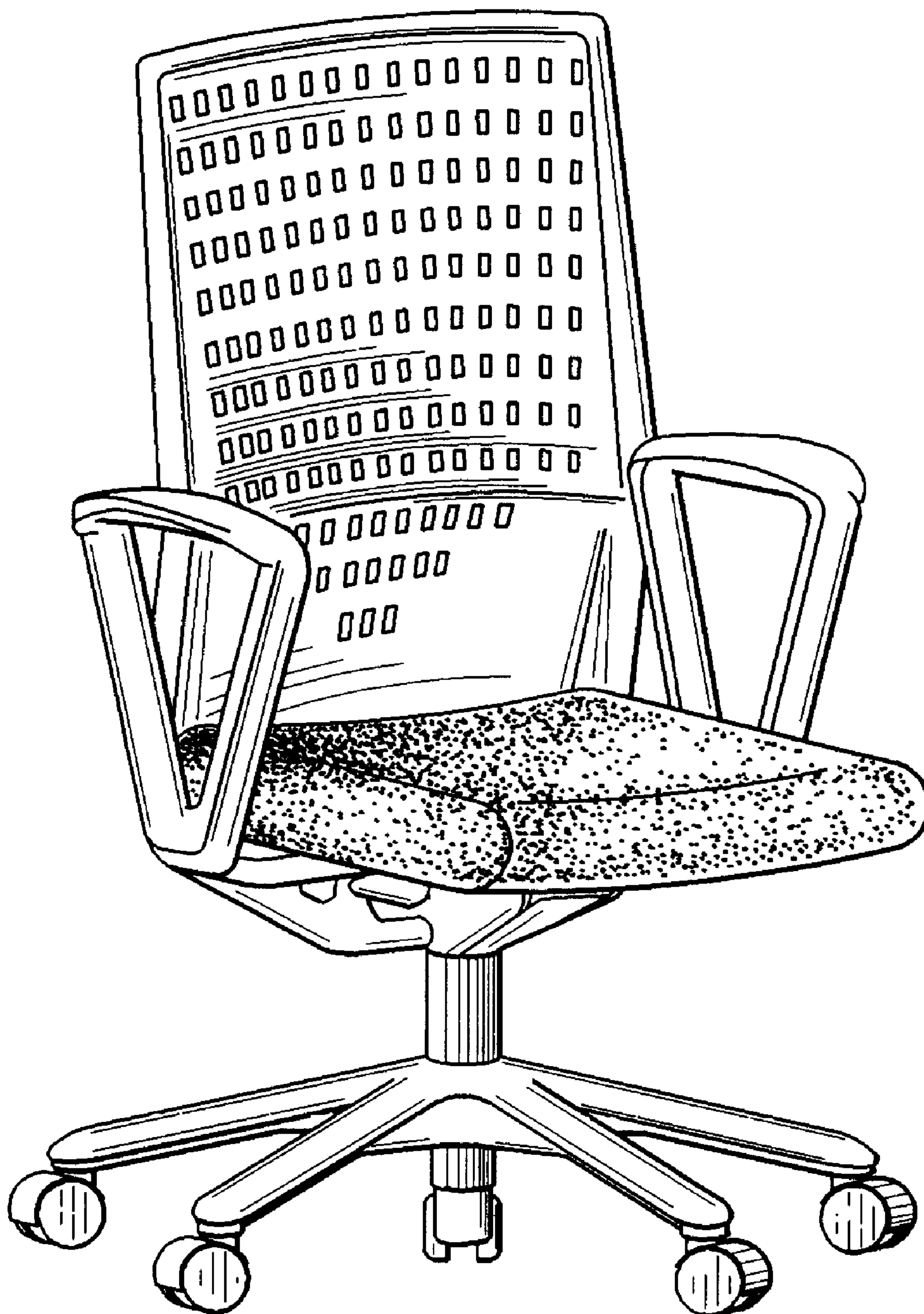


FIG. 6

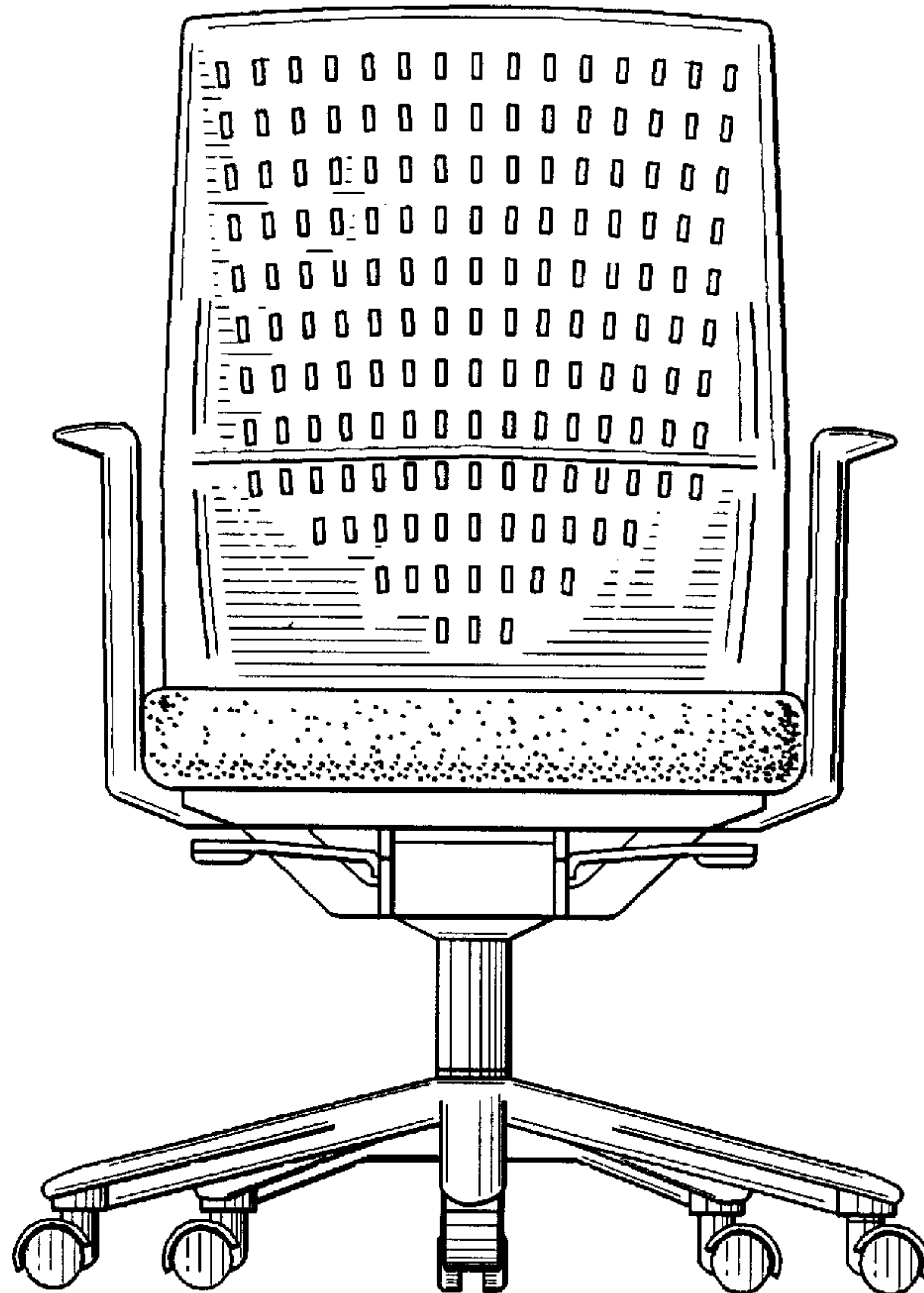
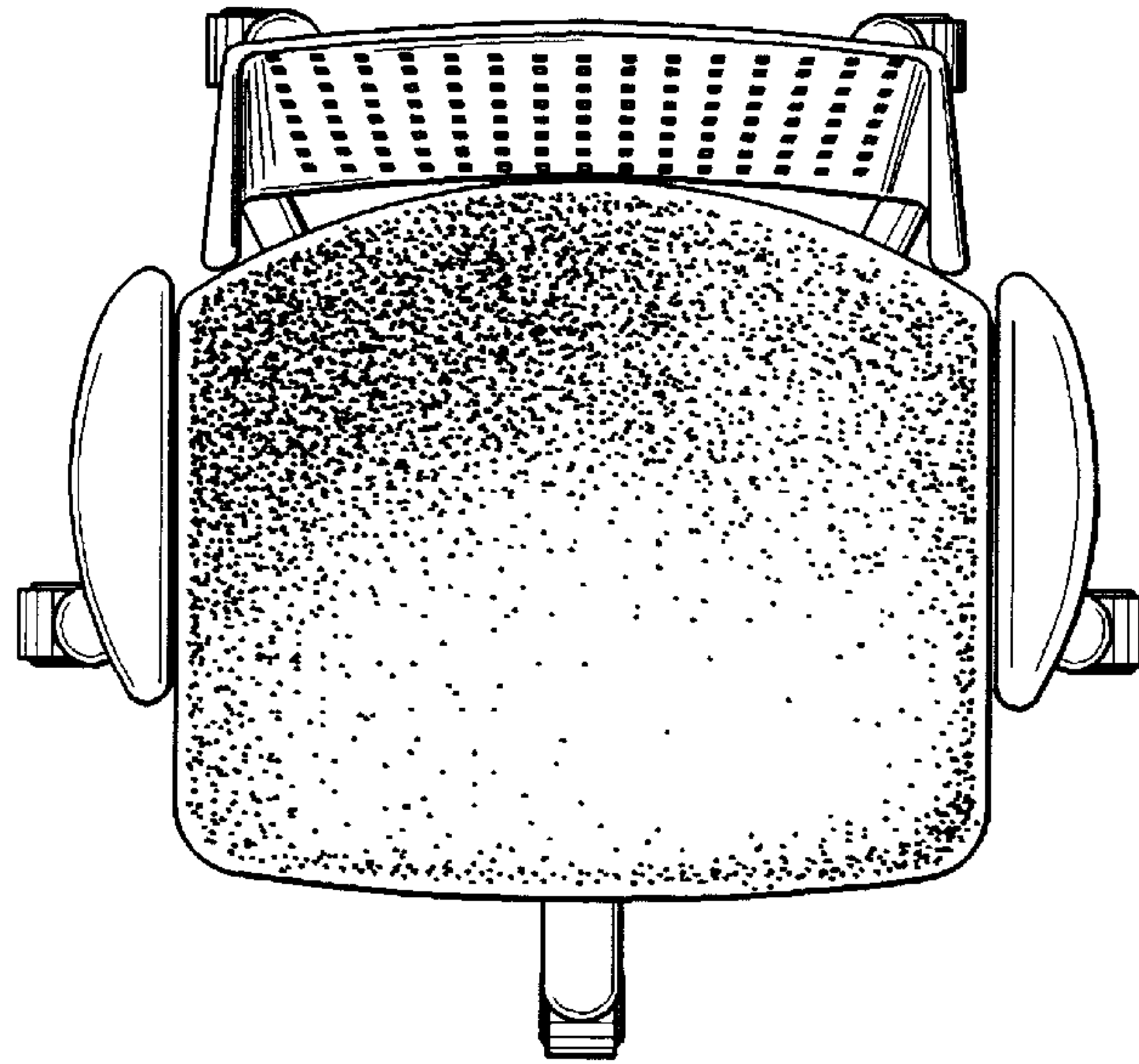


FIG. 2



FIG. 5

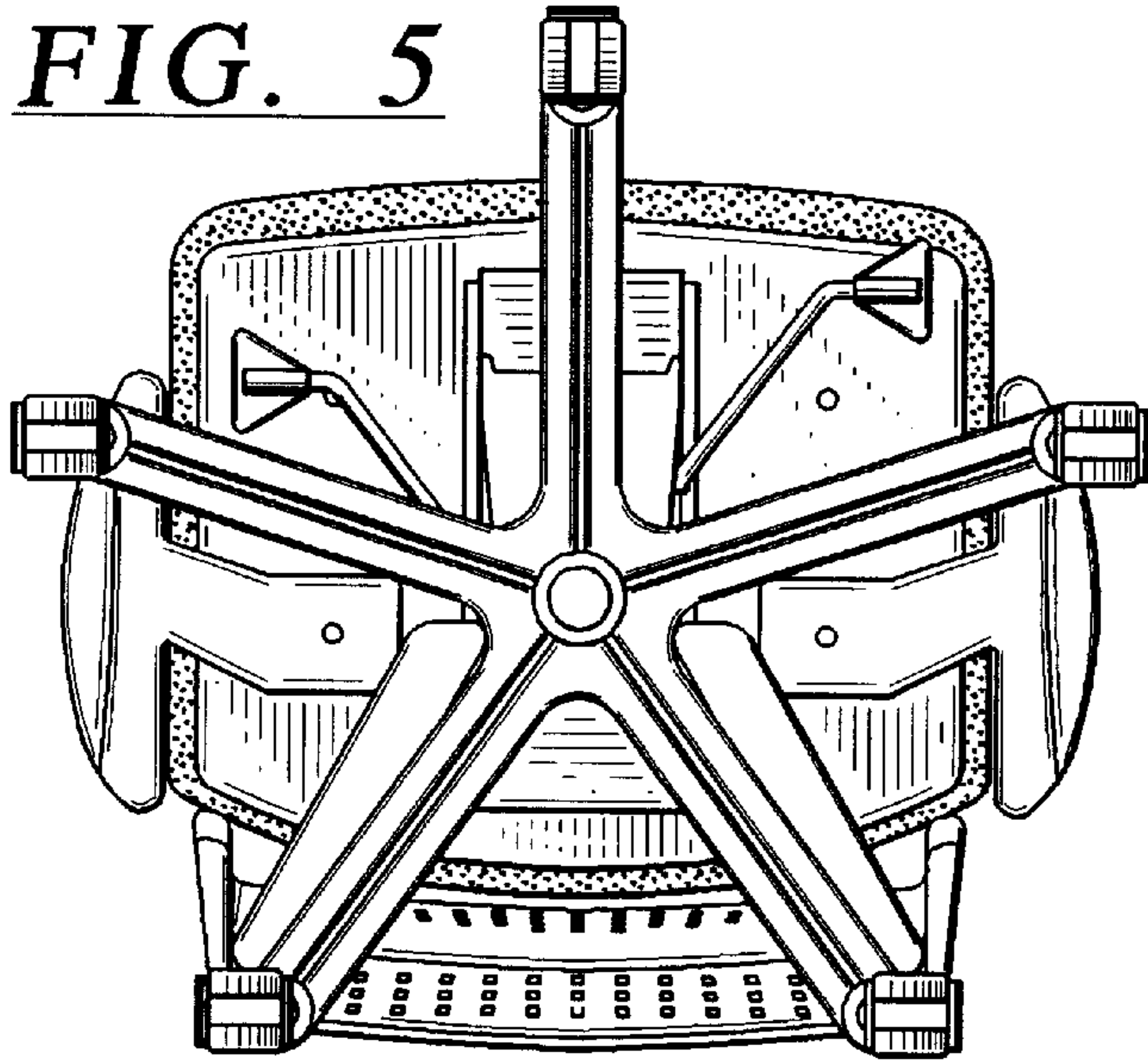
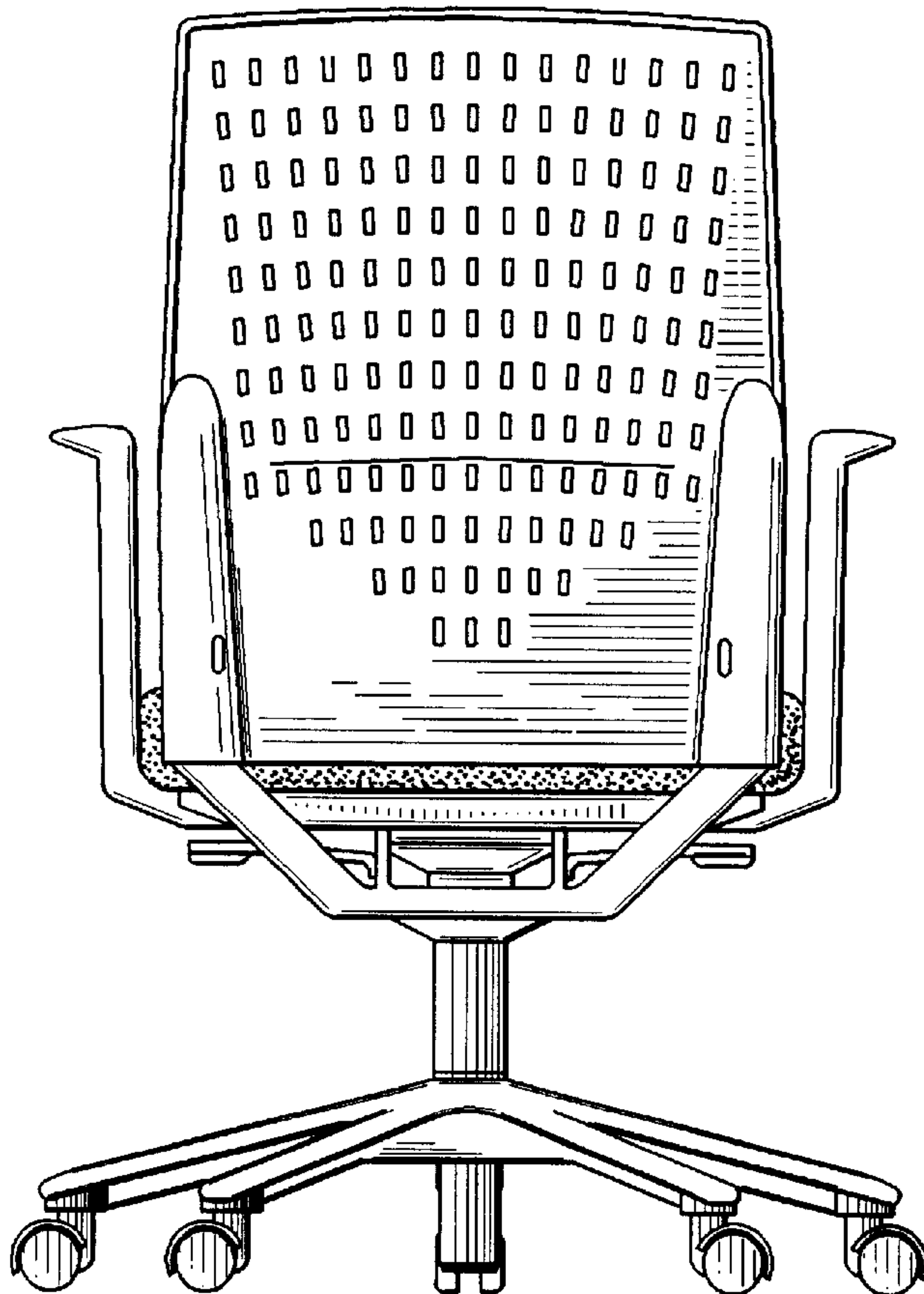


FIG. 3



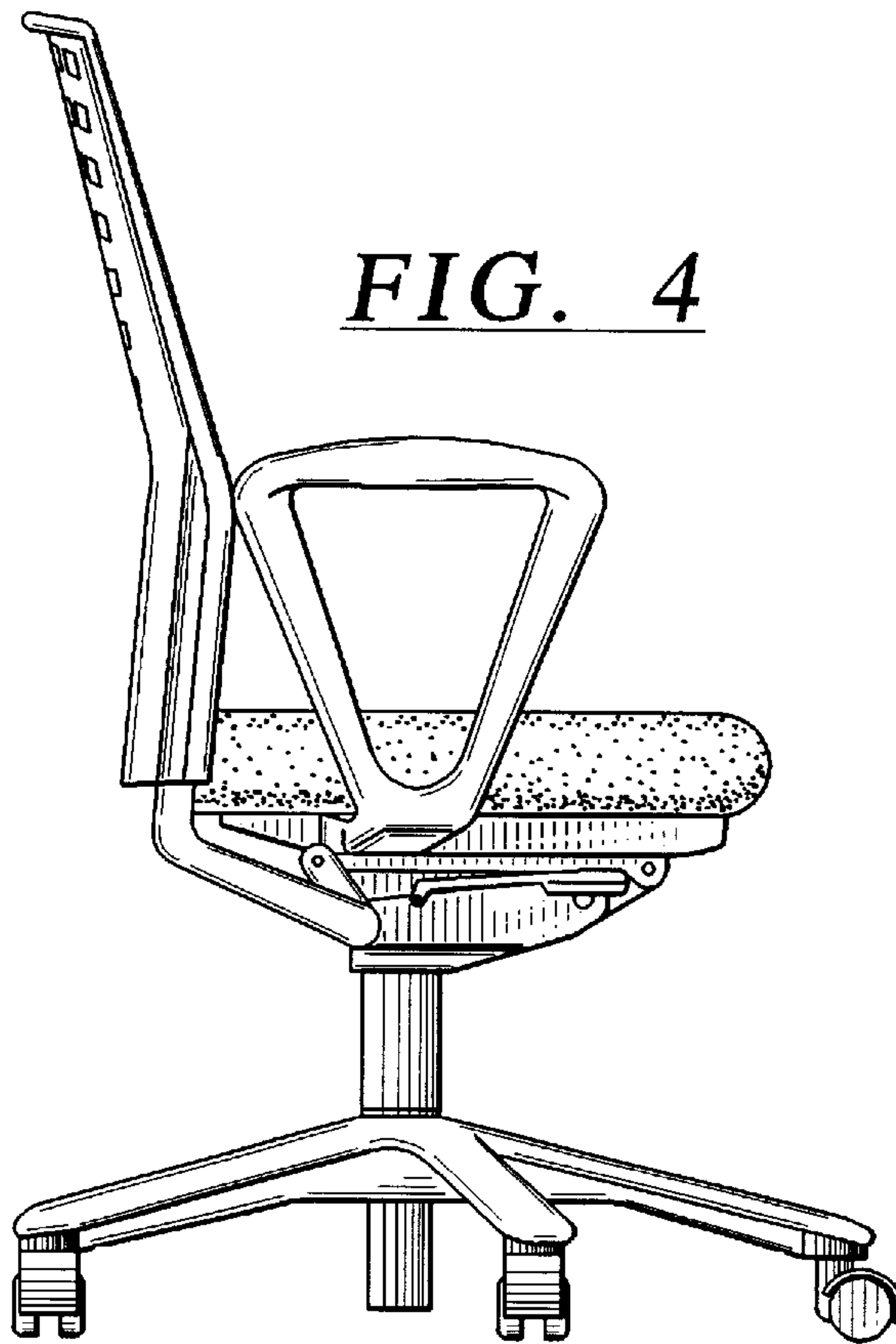


FIG. 4

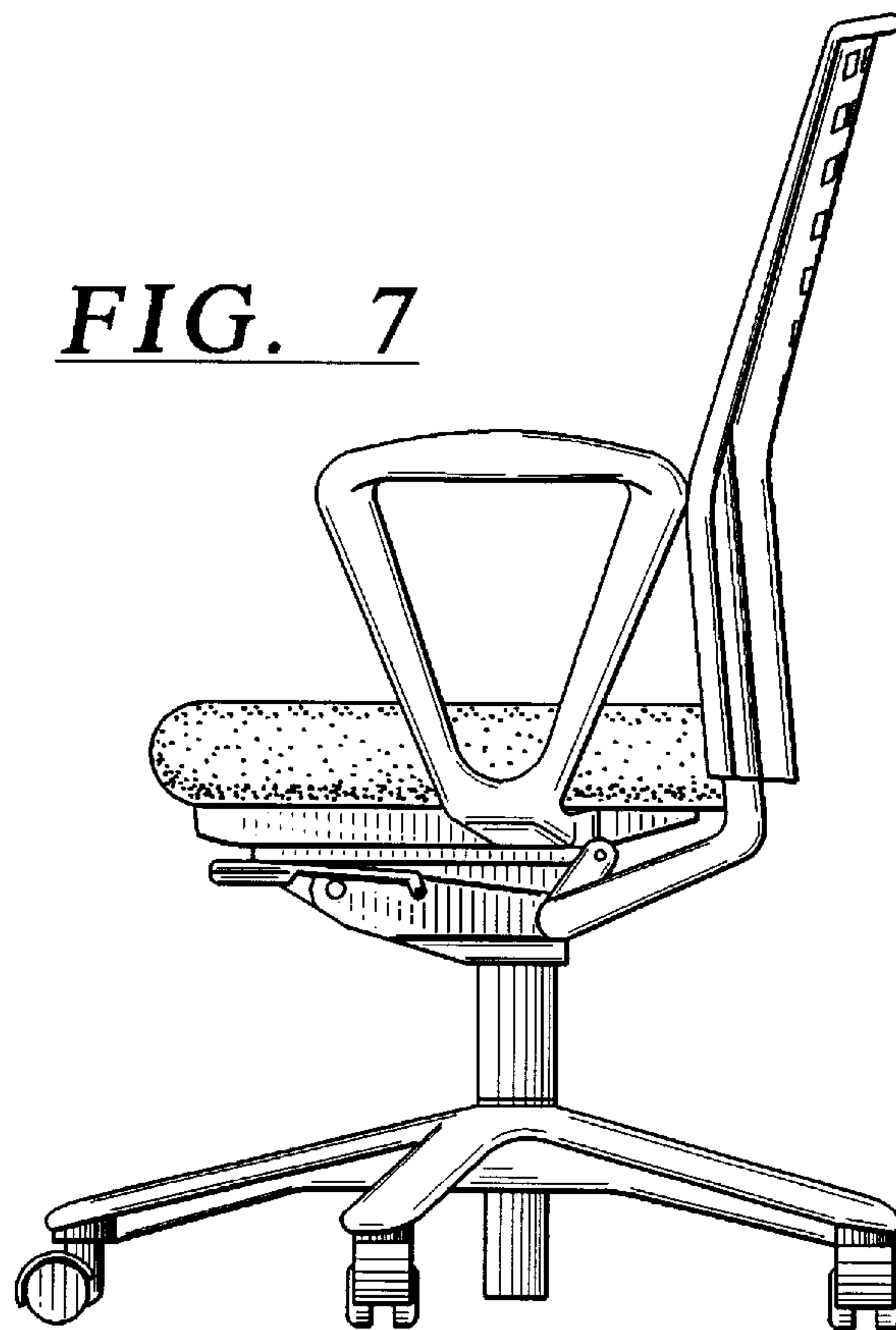


FIG. 7