



US00D417791S

**United States Patent** [19]  
**Liu**

[11] **Patent Number: Des. 417,791**

[45] **Date of Patent: \*\* Dec. 21, 1999**

[54] **ARMCHAIR SWING**

5,803,818 9/1998 Tseng ..... 297/118

[76] Inventor: **Lausan Liu**, No. 243 Chien Kwo Road,  
Hsin Tien City, Taipei Hsien, Taiwan

*Primary Examiner*—Doris V. Coles  
*Assistant Examiner*—Mimosa De  
*Attorney, Agent, or Firm*—Rosenberg, Klein & Bilker

[\*\*] Term: **14 Years**

[57] **CLAIM**

[21] Appl. No.: **29/090,570**

The ornamental design for armchair swing, as shown and described.

[22] Filed: **Jul. 10, 1998**

**DESCRIPTION**

[51] **LOC (6) Cl.** ..... **06-01**

[52] **U.S. Cl.** ..... **D6/347**

[58] **Field of Search** ..... D6/334, 344, 347,  
D6/500; D21/823, 825; 297/259.3, 273,  
277, 278; 472/118, 122, 125

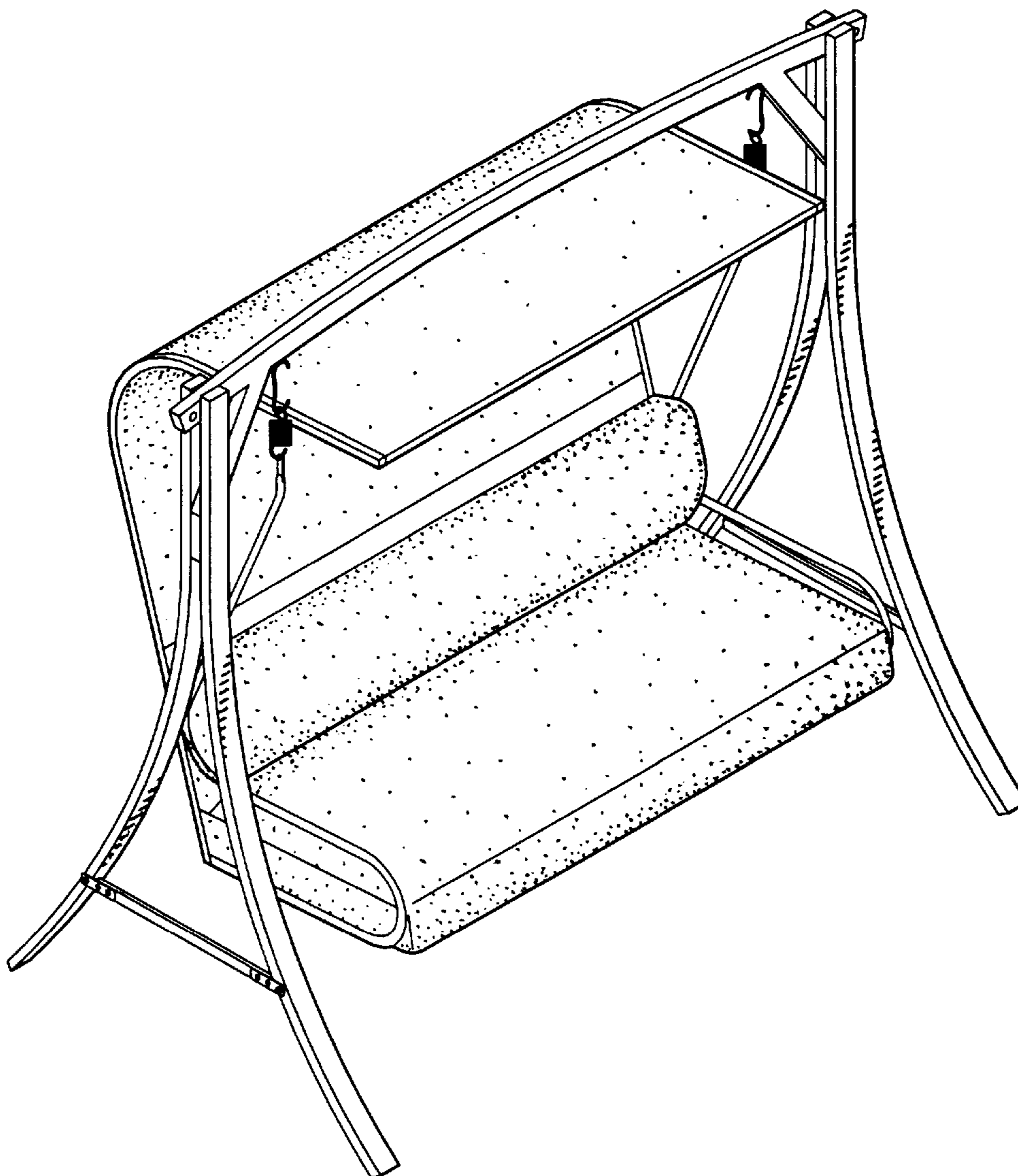
FIG. 1 is the perspective view of a armchair swing showing my new design;  
FIG. 2 is the front elevational view thereof;  
FIG. 3 is the rear elevational view thereof;  
FIG. 4 is the left side elevational view thereof;  
FIG. 5 is the right side elevational view thereof;  
FIG. 6 is the top plan view thereof; and,  
FIG. 7 is the bottom plan view thereof.

[56] **References Cited**

**U.S. PATENT DOCUMENTS**

D. 381,831 8/1997 Prehart ..... D6/344  
4,917,378 4/1990 Girecky et al. .... 297/270

**1 Claim, 4 Drawing Sheets**



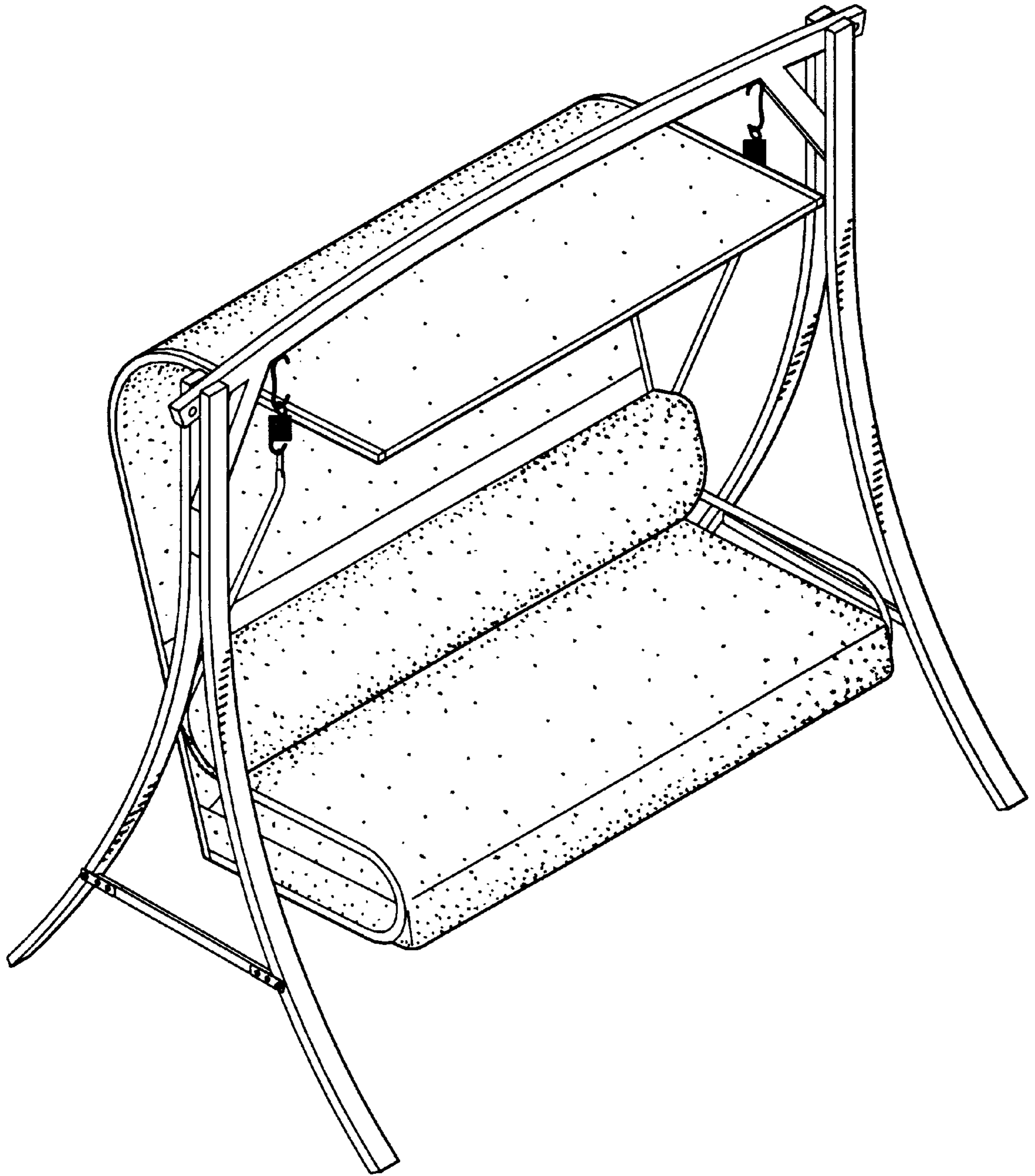


FIG. 1

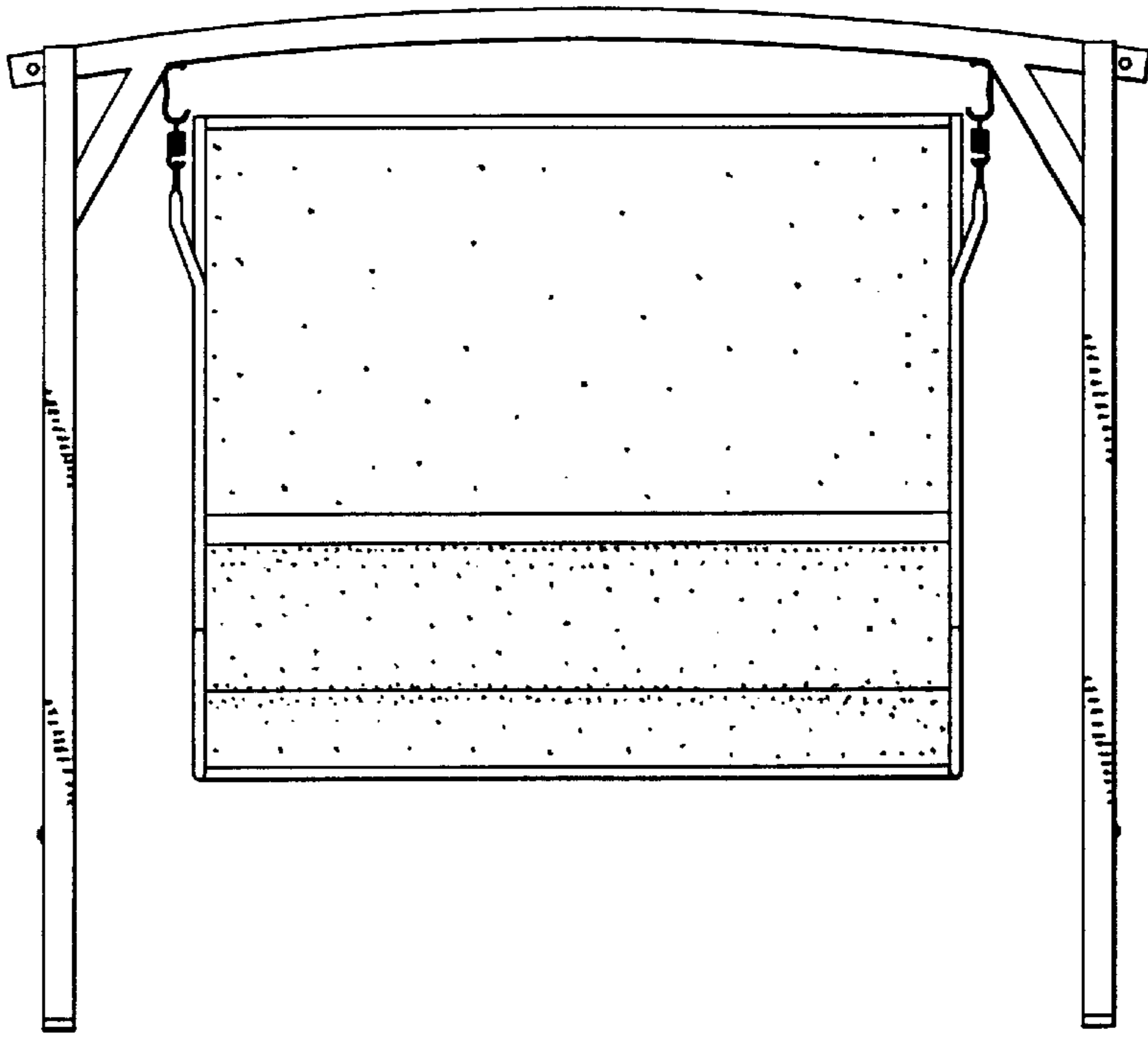


FIG. 2

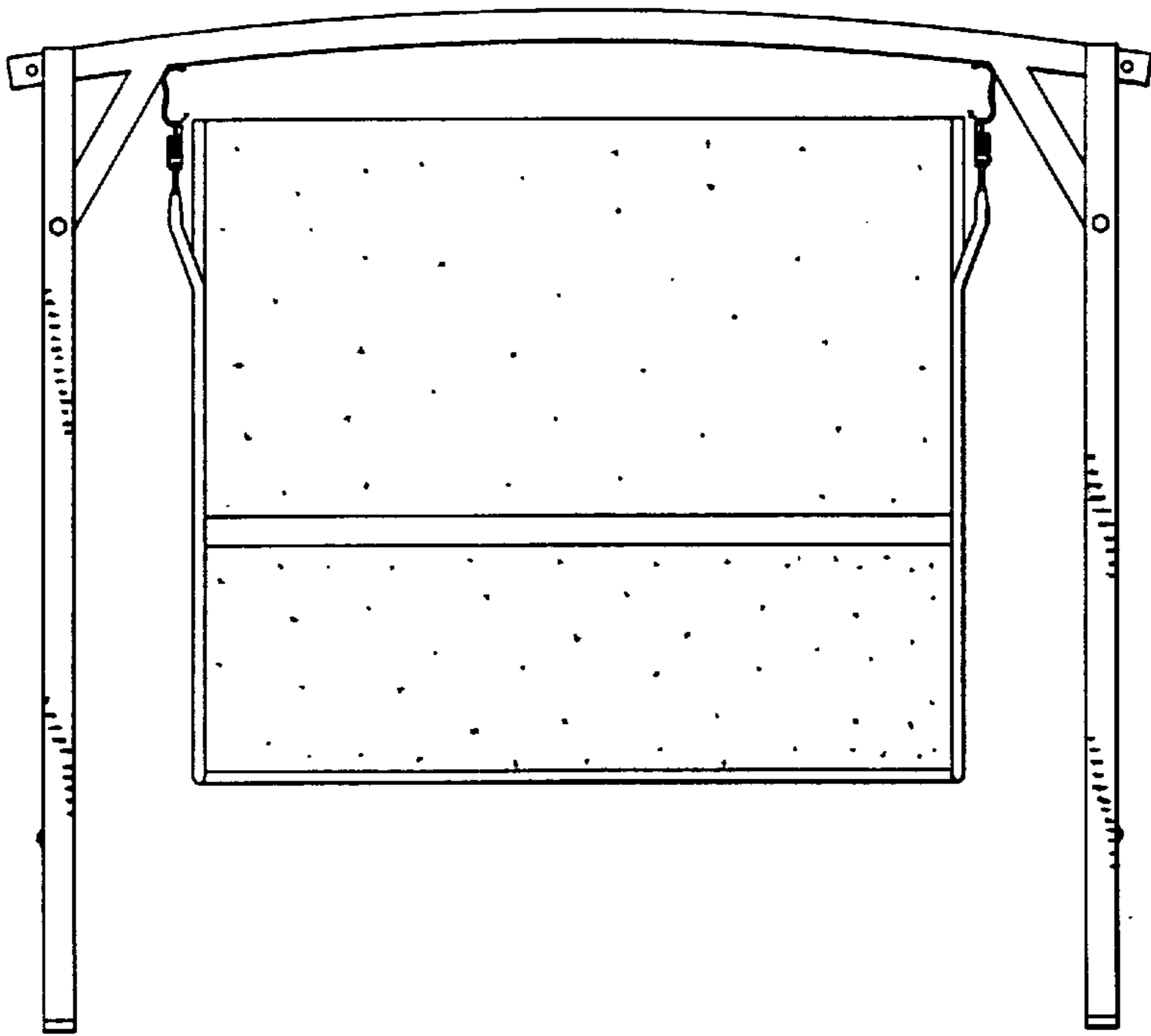


FIG. 3

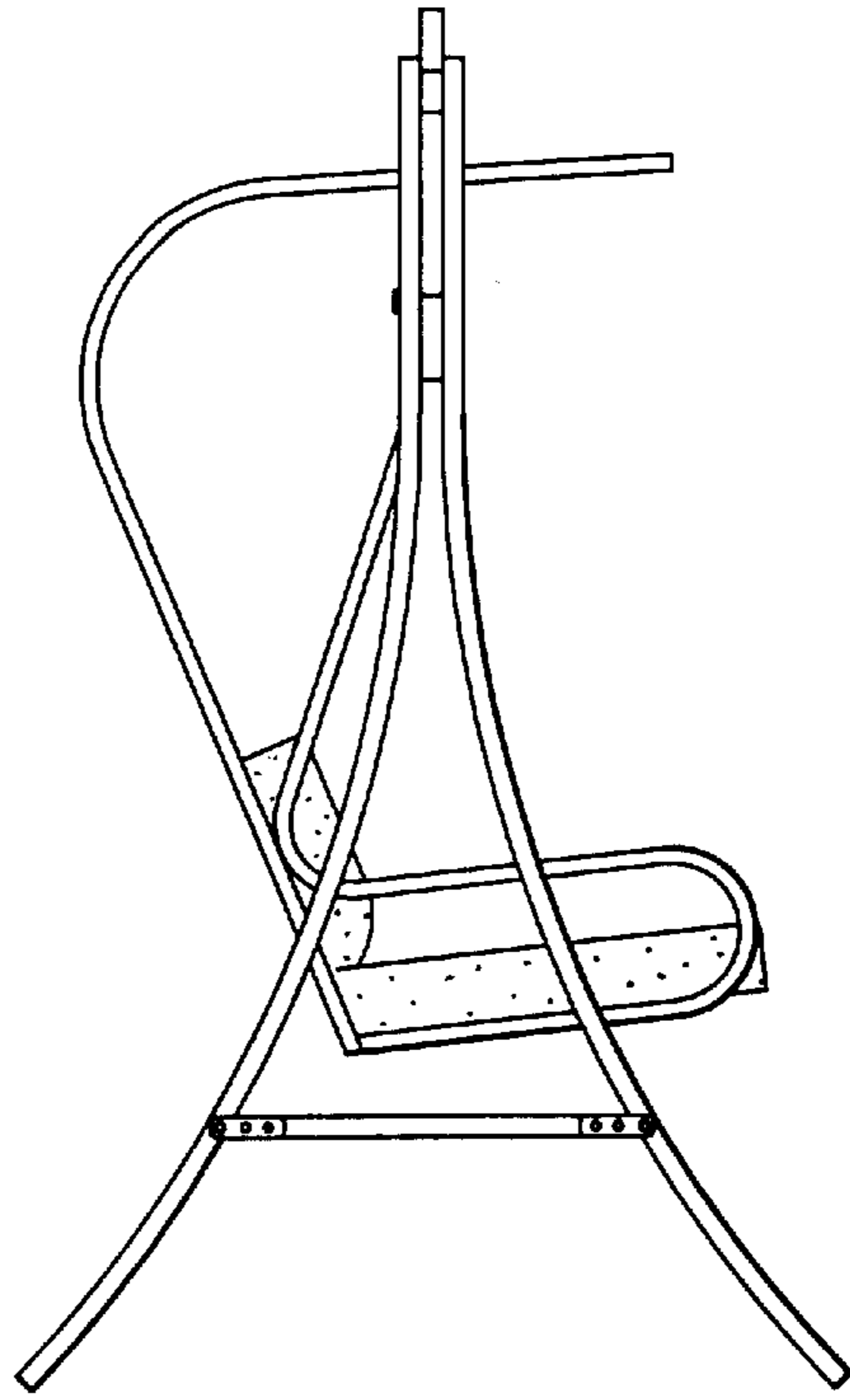


FIG. 4

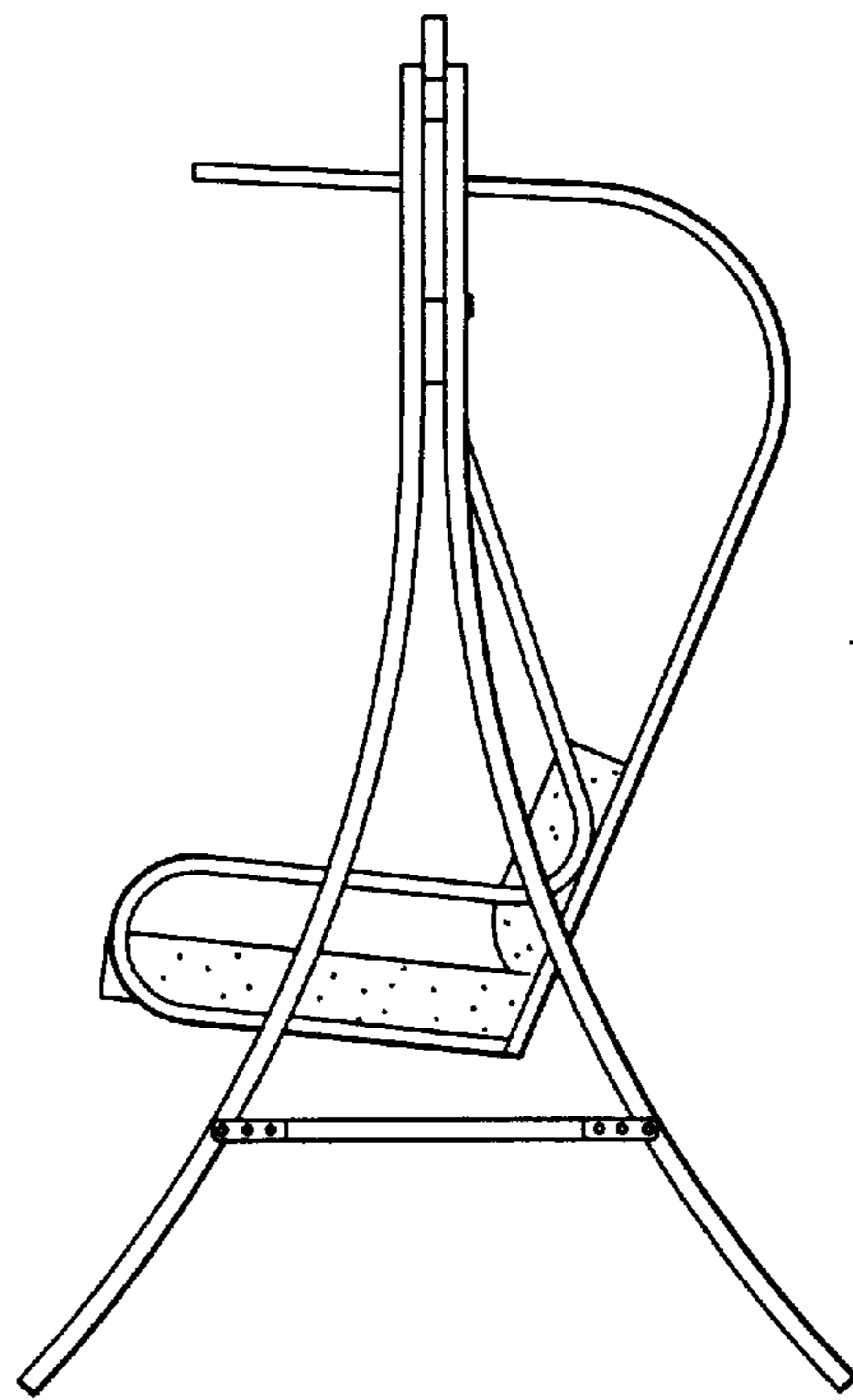


FIG. 5

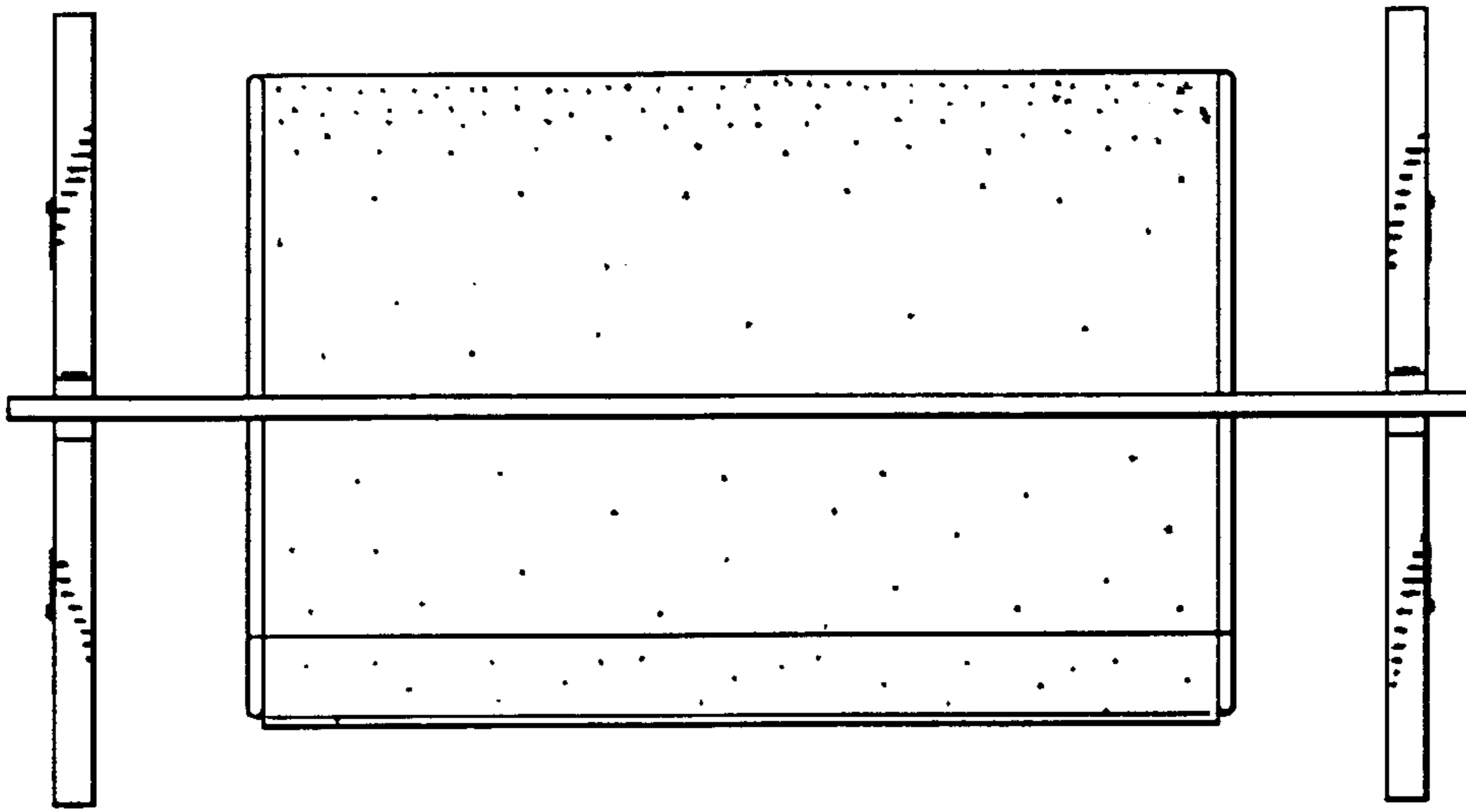


FIG. 6

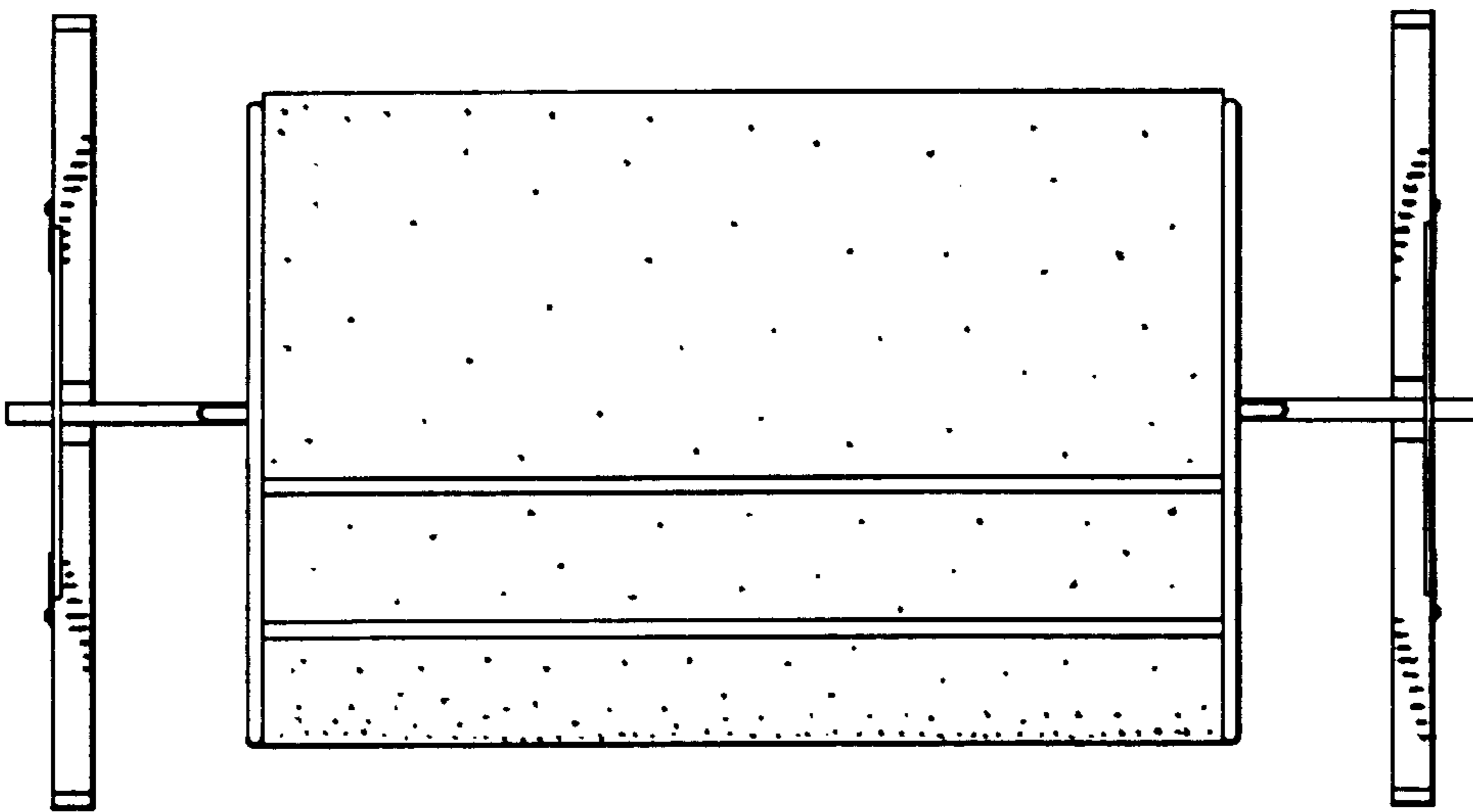


FIG. 7