



US00D417789S

United States Patent [19] Murphy et al.

[11] **Patent Number: Des. 417,789**
[45] **Date of Patent: ** Dec. 21, 1999**

[54] **HAND HELD SCRUBBING DEVICE**

[75] Inventors: **John S. Murphy**, Brookpark; **Richard C. Farone**, Willoughby; **Laurie M. Shumaker**, Talmadge; **Robert A. Matousek**, Lakewood; **Craig Saunders**, Rocky River; **Jeffrey M. Kalman**, Cleveland Heights; **Michael F. Wright**, Stow; **David M. Brickner**, Willoughby, all of Ohio

[73] Assignee: **Royal Appliance Mfg. Co.**, Cleveland, Ohio

[**] Term: **14 Years**

[21] Appl. No.: **29/082,597**

[22] Filed: **Jan. 27, 1998**

Related U.S. Application Data

[63] Continuation-in-part of application No. 08/982,325, Dec. 2, 1997.

[51] **LOC (6) Cl.** **04-01**

[52] **U.S. Cl.** **D4/102; D4/129; D4/138**

[58] **Field of Search** **D4/100, 102, 127, D4/129, 138; D32/17, 18; 15/21.1, 22.1, 22.2, 23, 24, 28, 29, 97.1, 143.1**

[56] References Cited

U.S. PATENT DOCUMENTS

D. 257,941	1/1981	Tack	D32/18
2,379,997	7/1945	Soderberg	15/97.1
3,235,897	2/1966	Fortenberry	.	
3,417,417	12/1968	Rhodes	15/21.1
3,968,789	7/1976	Simoncini	.	

4,137,588	2/1979	Sandt et al.	.	
4,209,870	7/1980	Doyel	15/97.1
4,945,790	8/1990	Golden	.	
4,964,398	10/1990	Jones	.	
5,173,983	12/1992	Le	.	
5,423,102	6/1995	Madison	.	
5,495,632	3/1996	Baker	.	
5,706,541	1/1998	Gutelius et al.	15/22.1

Primary Examiner—Alan P. Douglas
Assistant Examiner—Lavone D. Tabor
Attorney, Agent, or Firm—Fay, Sharpe, Beall, Fagan, Minnich & McKee

[57] CLAIM

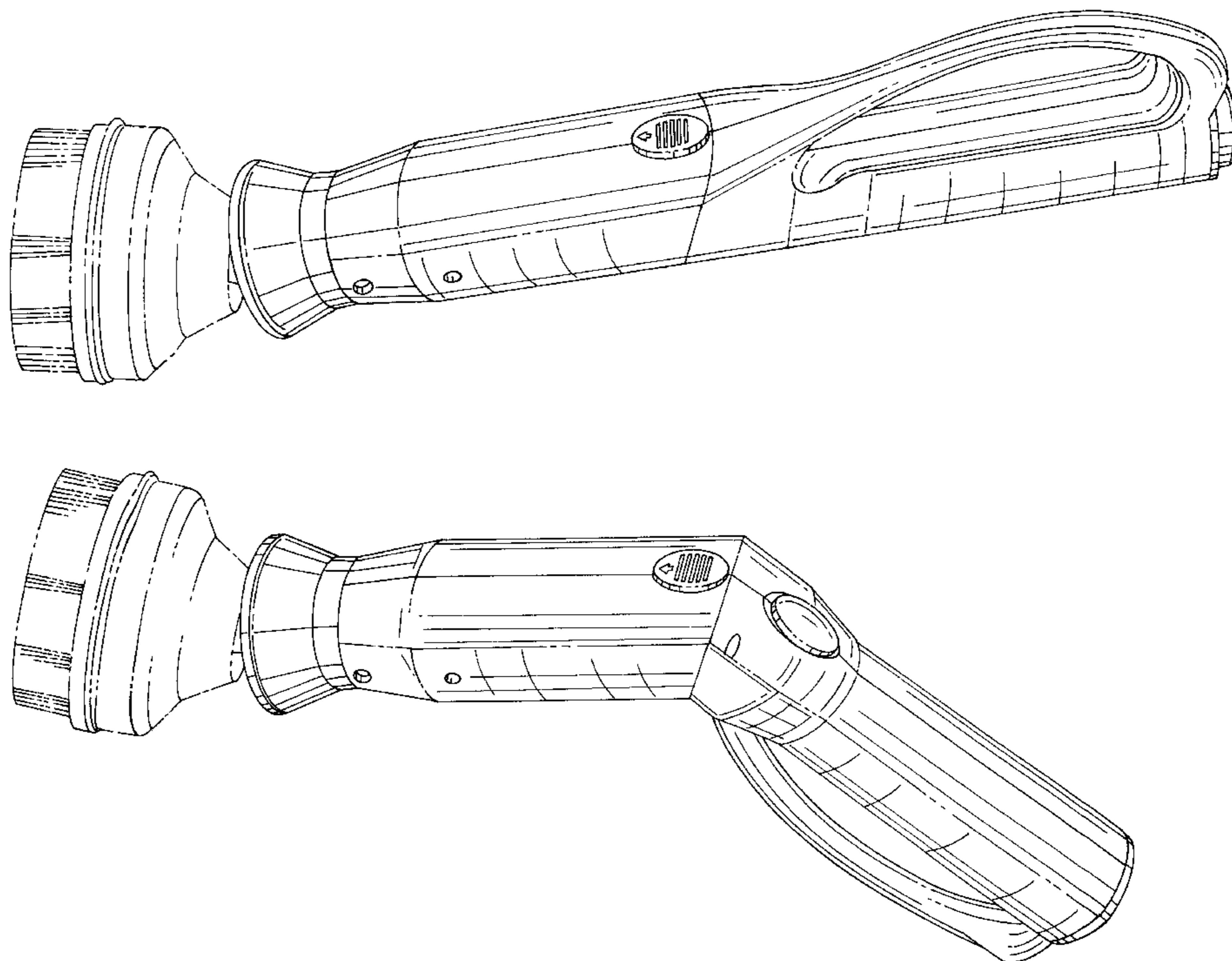
The ornamental design for a hand-held scrubbing device, as shown and described.

DESCRIPTION

FIG. 1 is a right side elevational view of a hand-held scrubbing device showing our new design; FIG. 2 is a top plan view thereof; FIG. 3 is a front elevational view thereof; FIG. 4 is a rear elevational view thereof; FIG. 5 is a bottom plan view thereof; FIG. 6 is a left side elevational view thereof; FIG. 7 is a perspective view thereof with a handle of the scrubbing device being positioned in a first orientation with respect to a main body portion thereof; and, FIG. 8 is a perspective view thereof with the handle being positioned in a second orientation relative to the main body portion of the scrubbing device.

The parts shown in broken lines in FIGS. 7 and 8 are shown for illustrative purposes only and form no part of the claimed design.

1 Claim, 5 Drawing Sheets



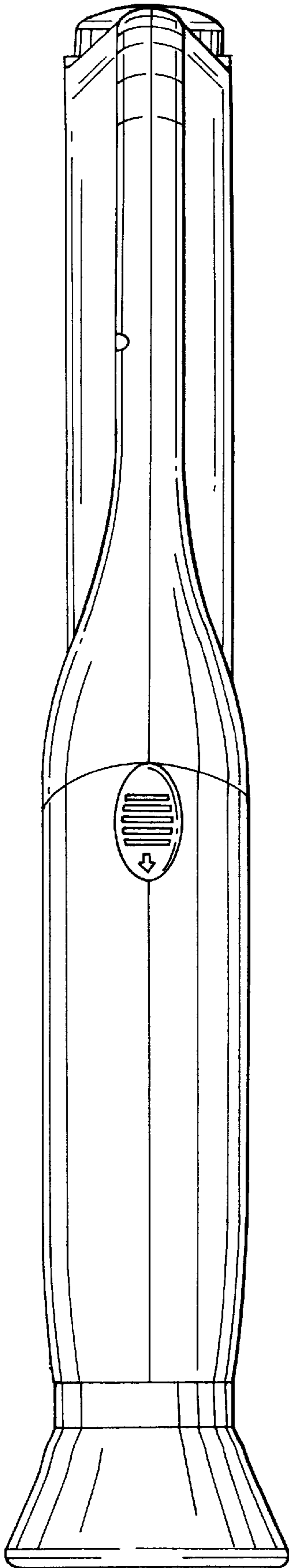


FIG. 2

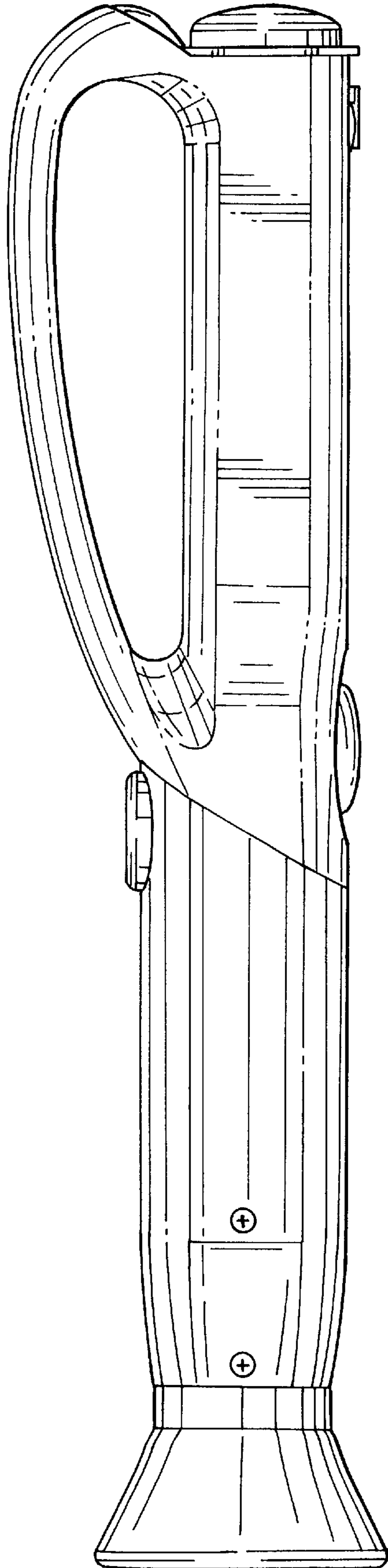


FIG. 1

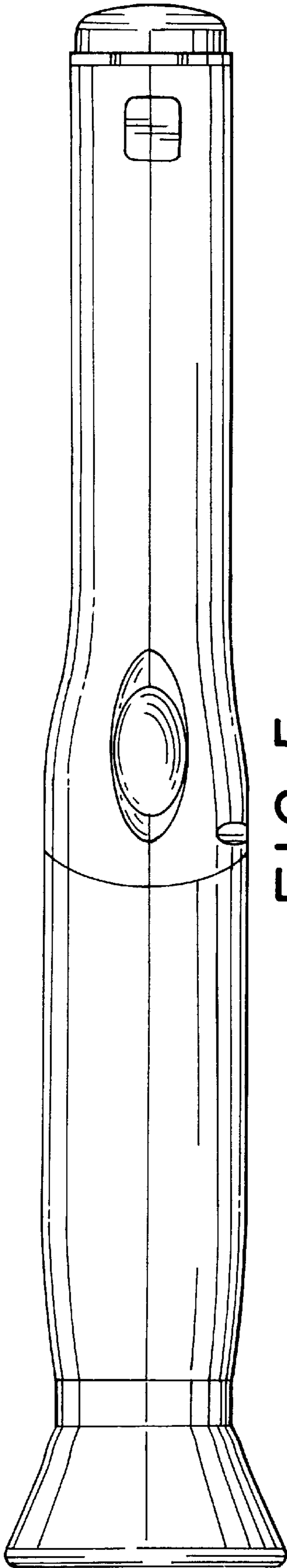


FIG. 5

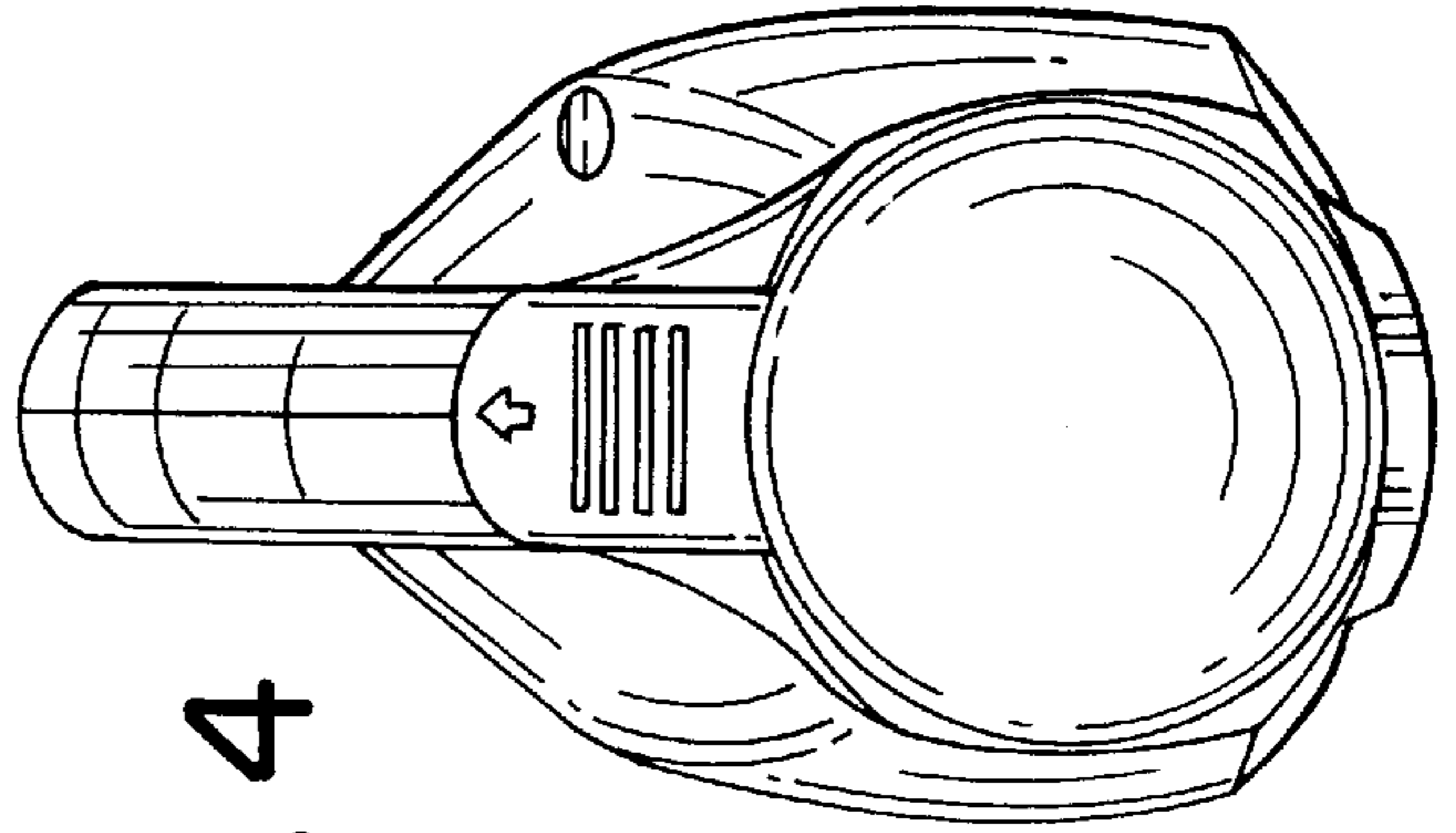


FIG. 4

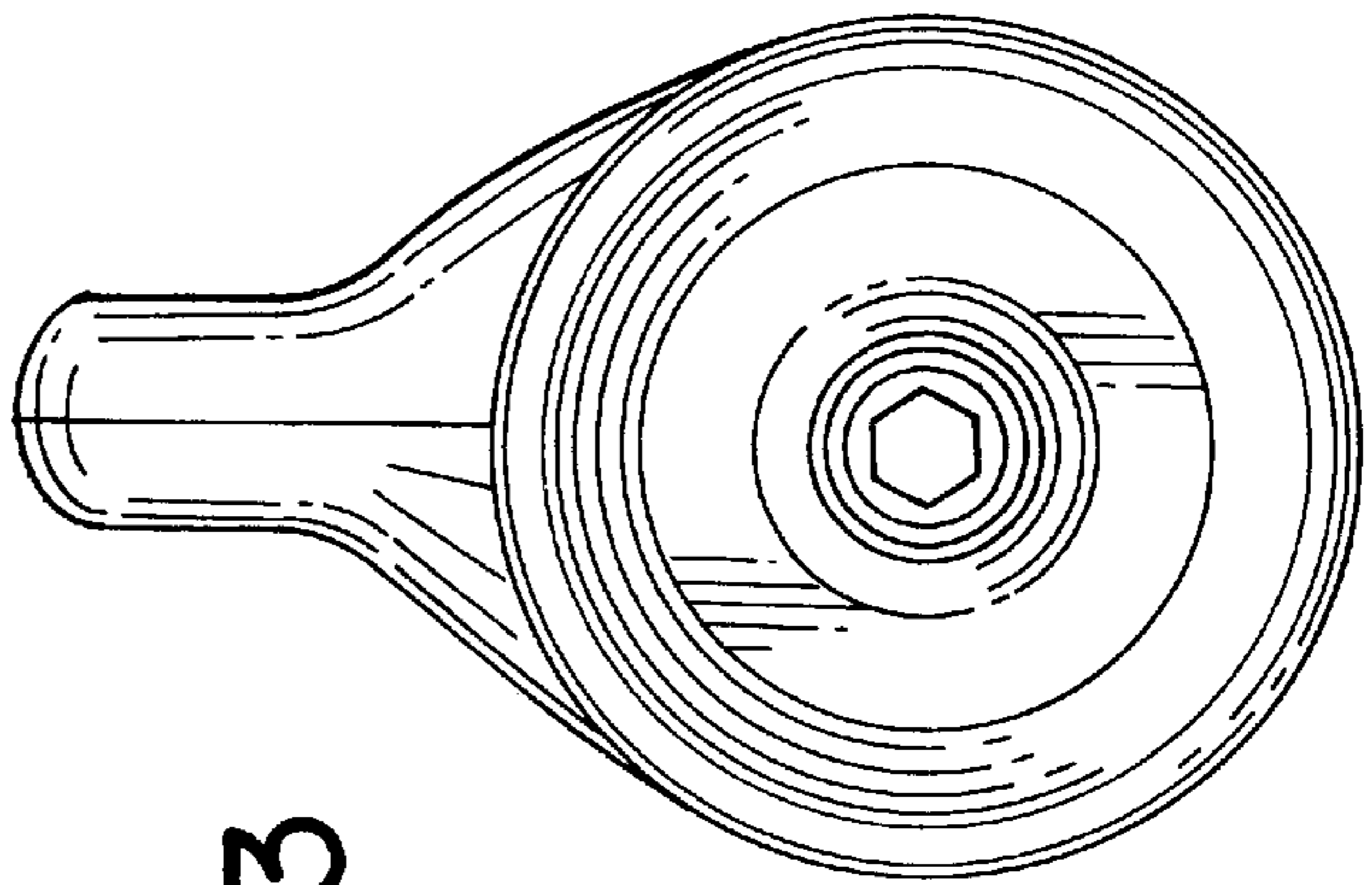


FIG. 3

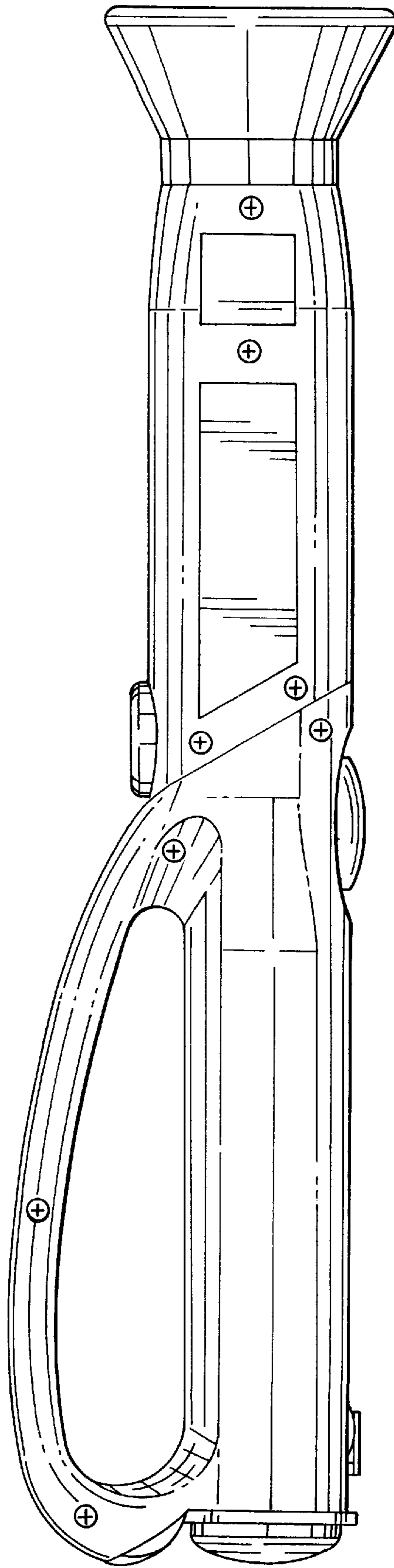


FIG. 6

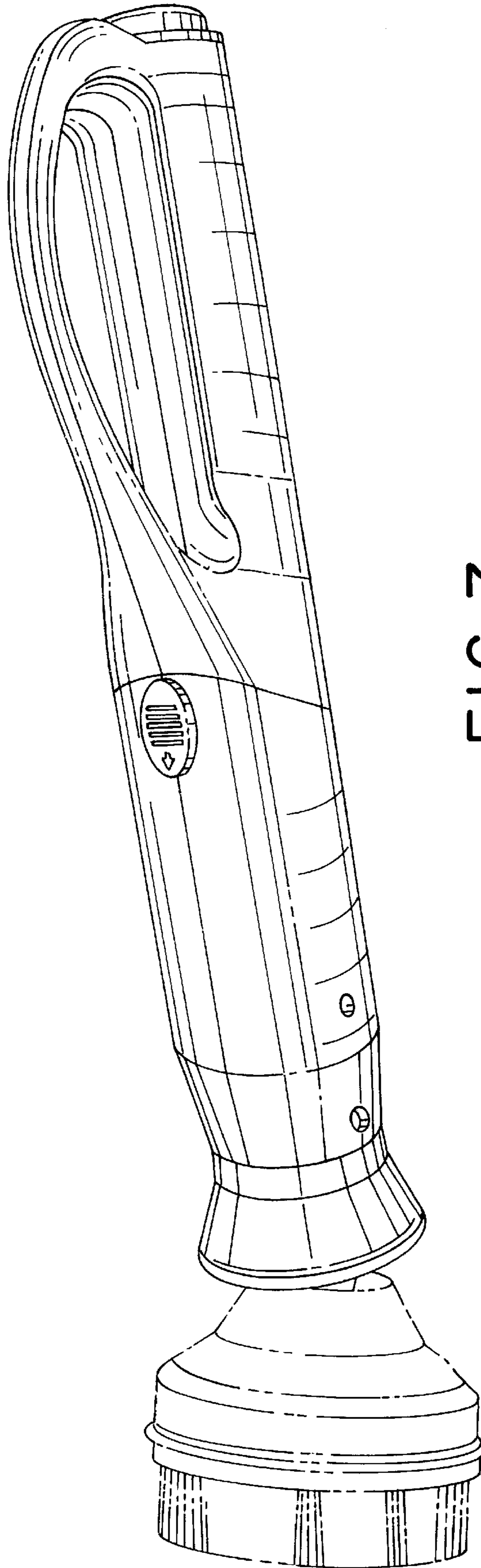


FIG. 7

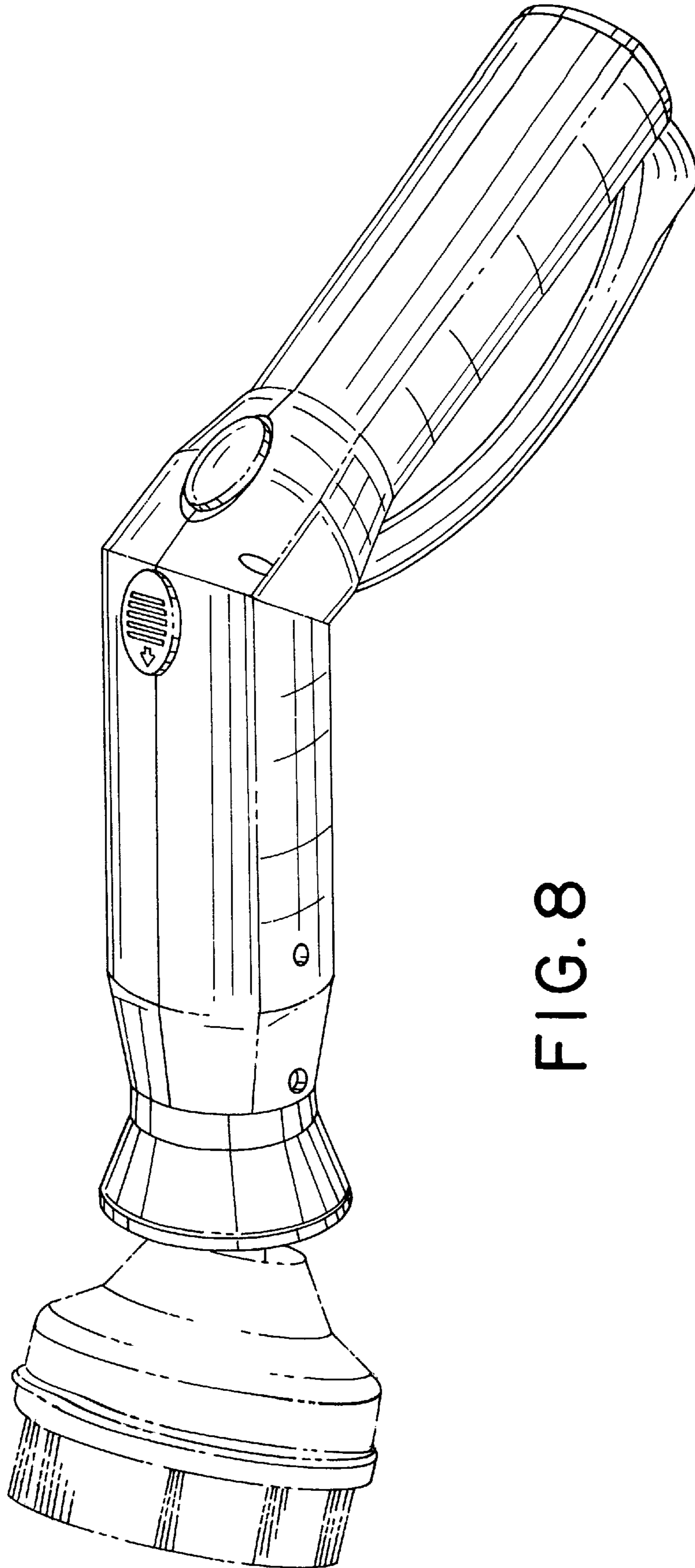


FIG. 8