



US00D417785S

# United States Patent [19] Daniels

[11] **Patent Number: Des. 417,785**

[45] **Date of Patent: \*\* \*Dec. 21, 1999**

[54] **COMPARTMENTALIZED CONTAINER**

[75] Inventor: **Peggy B. Daniels**, Atascocita, Tex.

[73] Assignee: **International Trading Company, Ltd.**,  
Houston, Tex.

[\*\*] Term: **14 Years**

[21] Appl. No.: **29/074,065**

[22] Filed: **Jul. 18, 1997**

[51] **LOC (6) Cl.** ..... **03-01**

[52] **U.S. Cl.** ..... **D3/313; D7/553; D7/555;**  
D7/425

[58] **Field of Search** ..... D3/304, 310, 313;  
D7/553, 555; D9/341, 424, 425, 432; 220/555,  
556; 206/505, 512, 558, 499

[56] **References Cited**

**U.S. PATENT DOCUMENTS**

D. 194,474	1/1963	Gottsegen .	
D. 280,060	8/1985	Holzkopf .	
D. 352,202	11/1994	Campbell et al. .	
D. 352,203	11/1994	Campbell et al. ....	D7/553
D. 360,111	7/1995	Kearney .....	D7/553
D. 363,856	11/1995	Westbrooks .....	D7/553
D. 379,301	5/1997	Lippincott .	
3,374,923	3/1968	Ettlenger et al. ....	206/512
4,813,544	3/1989	Kreeger .	
5,012,928	5/1991	Proffitt et al. .	
5,119,940	6/1992	Grindrod .	
5,375,701	12/1994	Hustad et al. .	
5,381,901	1/1995	Hundley .	
5,657,873	8/1997	Hustad et al. .	
5,695,798	12/1997	Rozzano .	

**OTHER PUBLICATIONS**

Copy of advertisement for packaged food product of Hillshire Farm's Lunch & Munch product circulated in 1994. Do not have sample of packaging shown.

Photographs of 4-compartment tray used by Thorn Apple Valley. Denotes as Tray B1. Believed to be late 1995.

Photographs of 4-compartment tray shown to Applicant in May 1996 by tray manufacturer. Denoted as Tray C1. Believed to be 1996.

Photographs of 4-compartment tray shown to Applicant in May 1996 by tray manufacturer. Denoted as Tray C2. Believed to be 1996.

Photographs of 4-compartment tray shown to Applicant in May 1996 by tray manufacturer. Denoted as Trays C3. Believed to be 1996.

Photographs of 4-compartment tray shown to Applicant in Jan. 1997 by tray manufacturer. Denoted as Tray C4. Believed to be 1997.

Photographs of 4-compartment tray used by Oscar Mayer. Denoted as Tray D1. Believed to be early 1990's.

Photographs of 4-compartment tray used by Bryan Foods for Hillshire Farms product. Denoted as Tray D2. Undated.

Photographs of 4-compartment tray used by Dixie Packers. Denoted as Tray D3. Believed to be Apr. 1996.

Photographs of 4-compartment tray used by Thorn Apple Valley. Denoted as Tray D4. Believed to be Jan 1997.

Photographs of 4-compartment tray used by Dixie Packers. Denoted as Tray D5. Believed to be May 1997.

*Primary Examiner*—Sandra L. Morris  
*Assistant Examiner*—Richelle Shelton  
*Attorney, Agent, or Firm*—Tina Johns Benkiser

[57] **CLAIM**

I claim the ornamental design for a compartmentalized container, as shown and described.

**DESCRIPTION**

FIG. 1 is a perspective view of a compartmentalized container showing inventor's new design;  
FIG. 2 is a top plan view thereof;  
FIG. 3 is a top plan view of FIG. 2;  
FIG. 4 is a bottom plan view of FIG. 2;  
FIG. 5 is a left side view of FIG. 2;  
FIG. 6 is a right side view of FIG. 2;  
FIG. 7 is bottom plan view of FIG. 1;  
FIG. 8 is a sectional view of said compartmentalized container as indicated in FIG. 2; and,  
FIG. 9 is a sectional view of said compartmentalized container as indicated in FIG. 2.

**1 Claim, 3 Drawing Sheets**

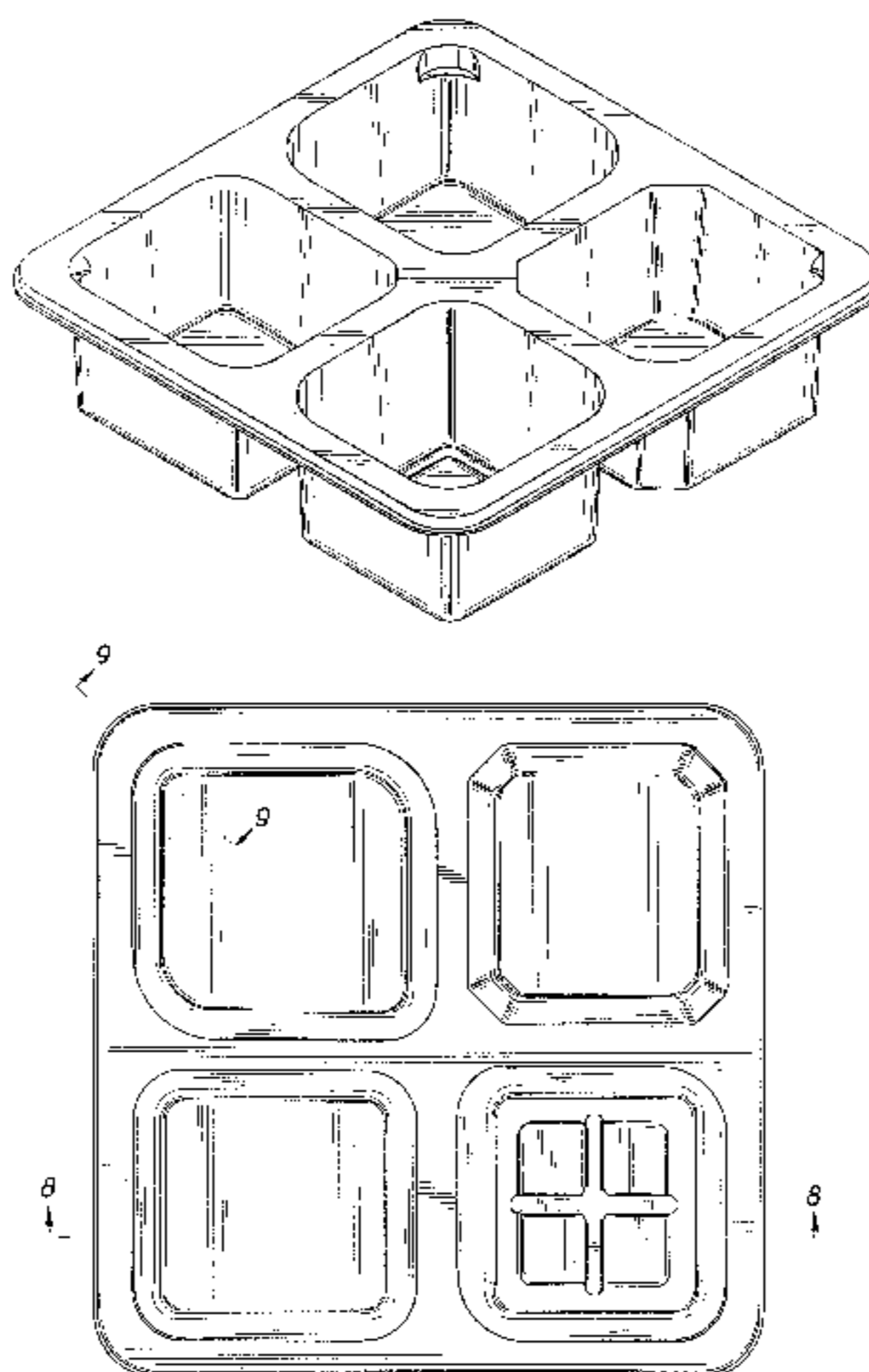


FIG. 1

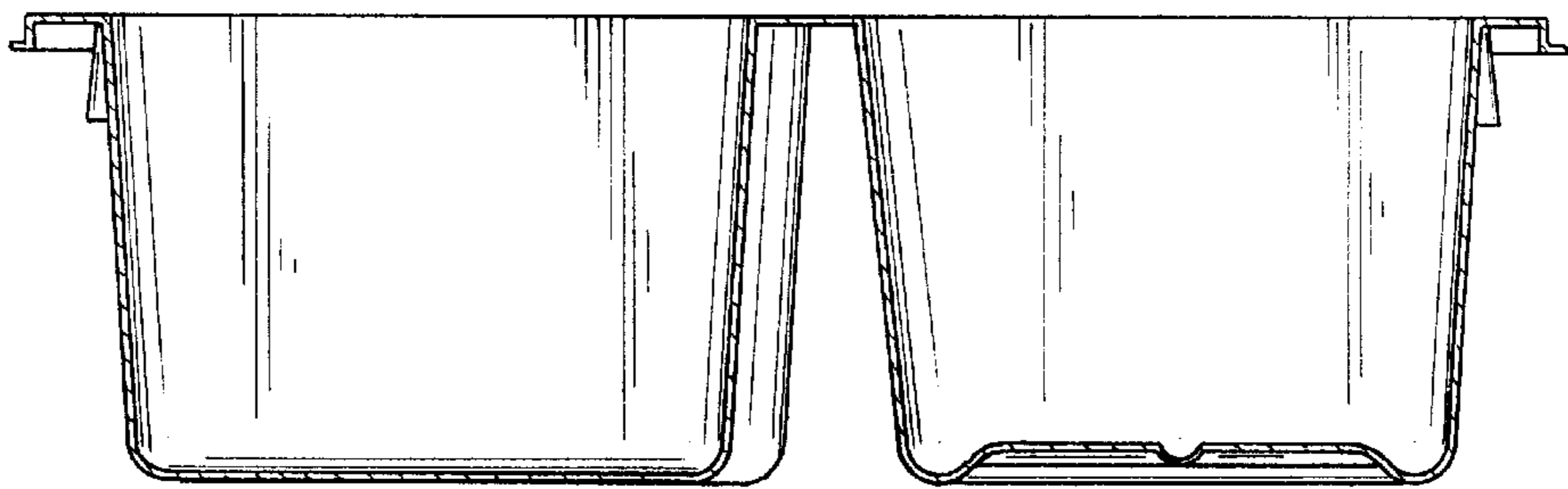
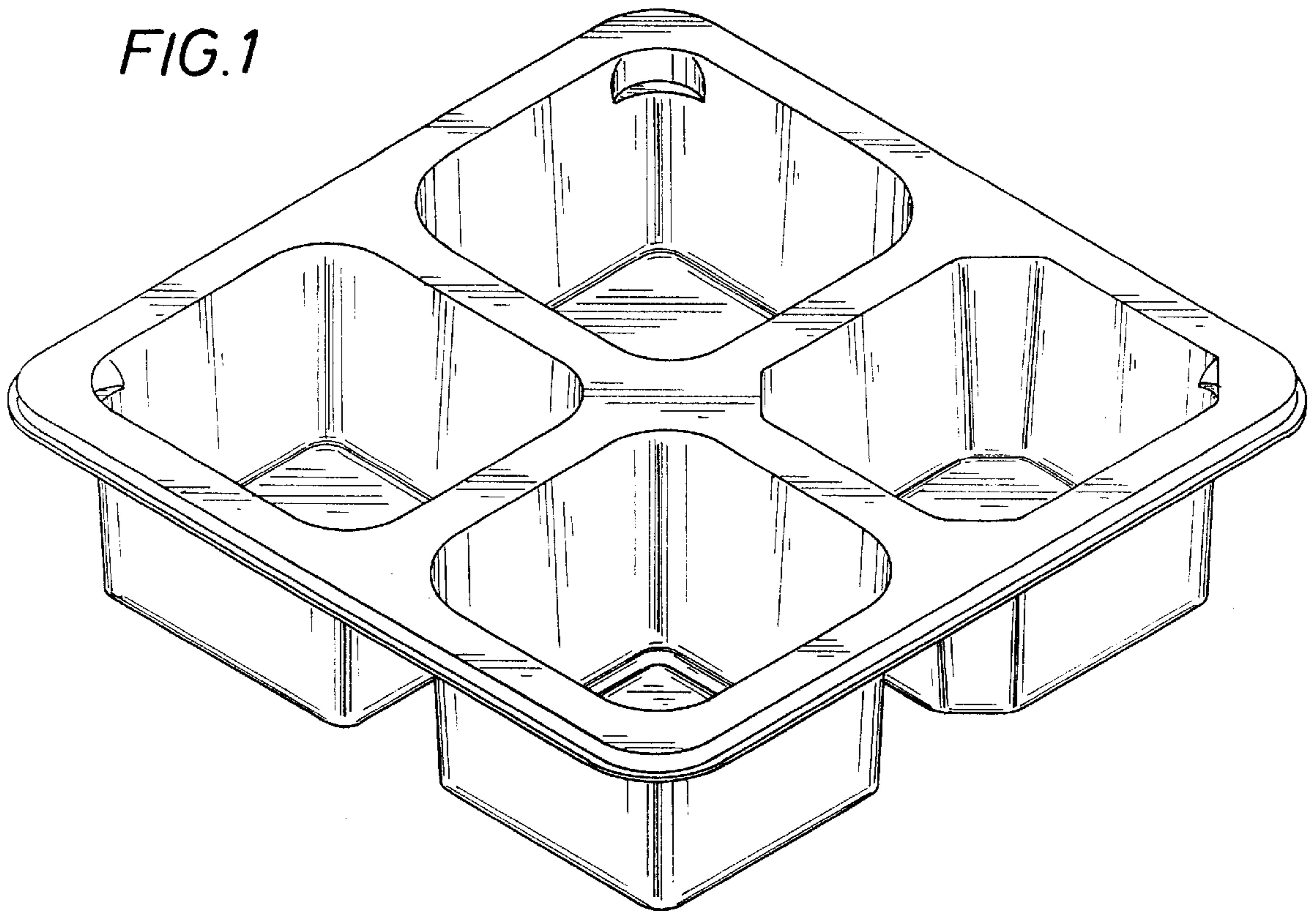


FIG. 8

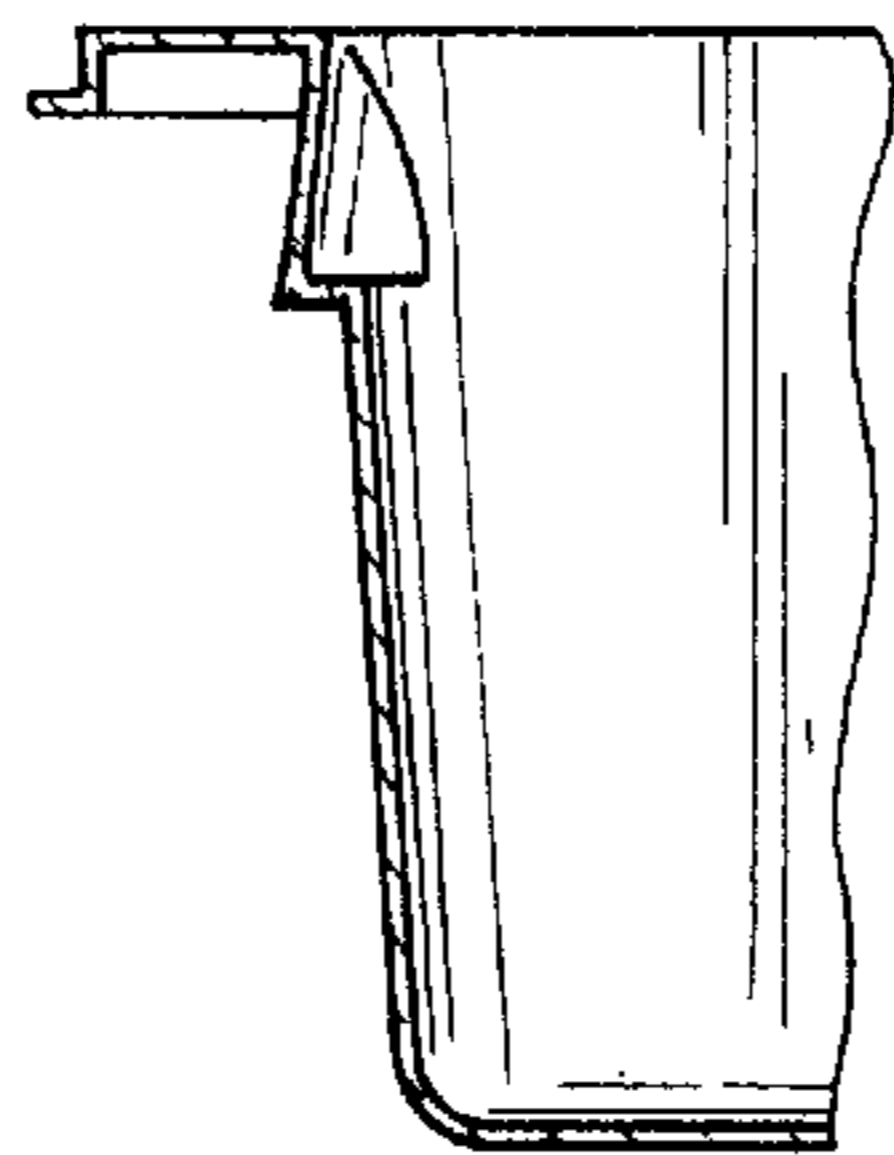


FIG. 9

FIG. 3

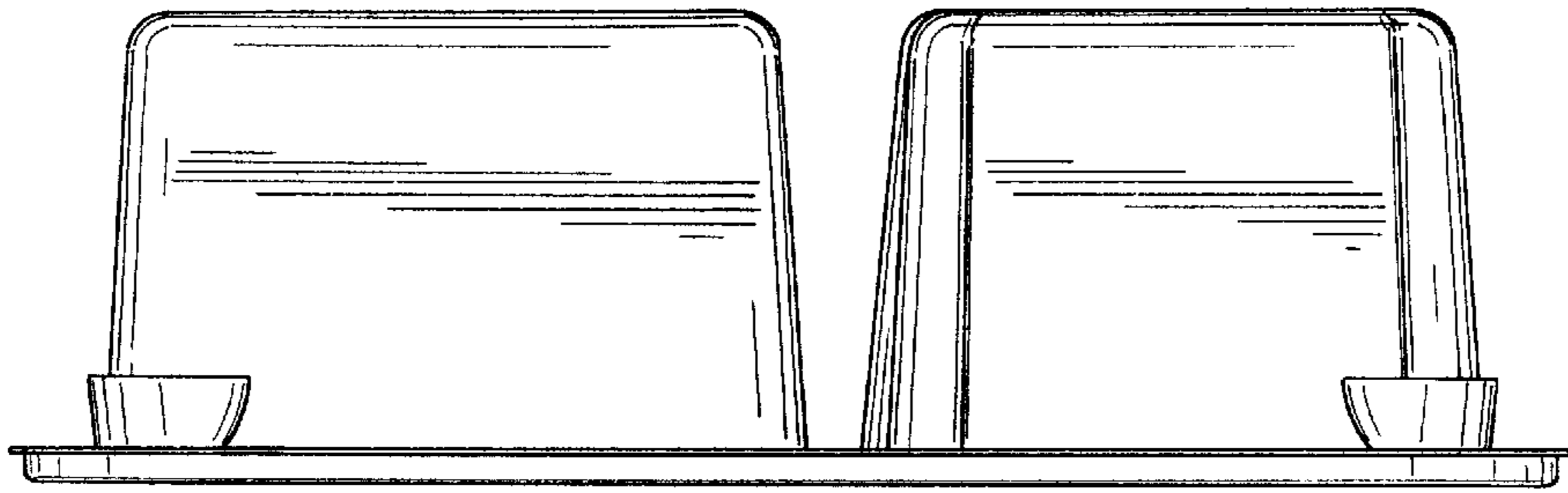


FIG. 2

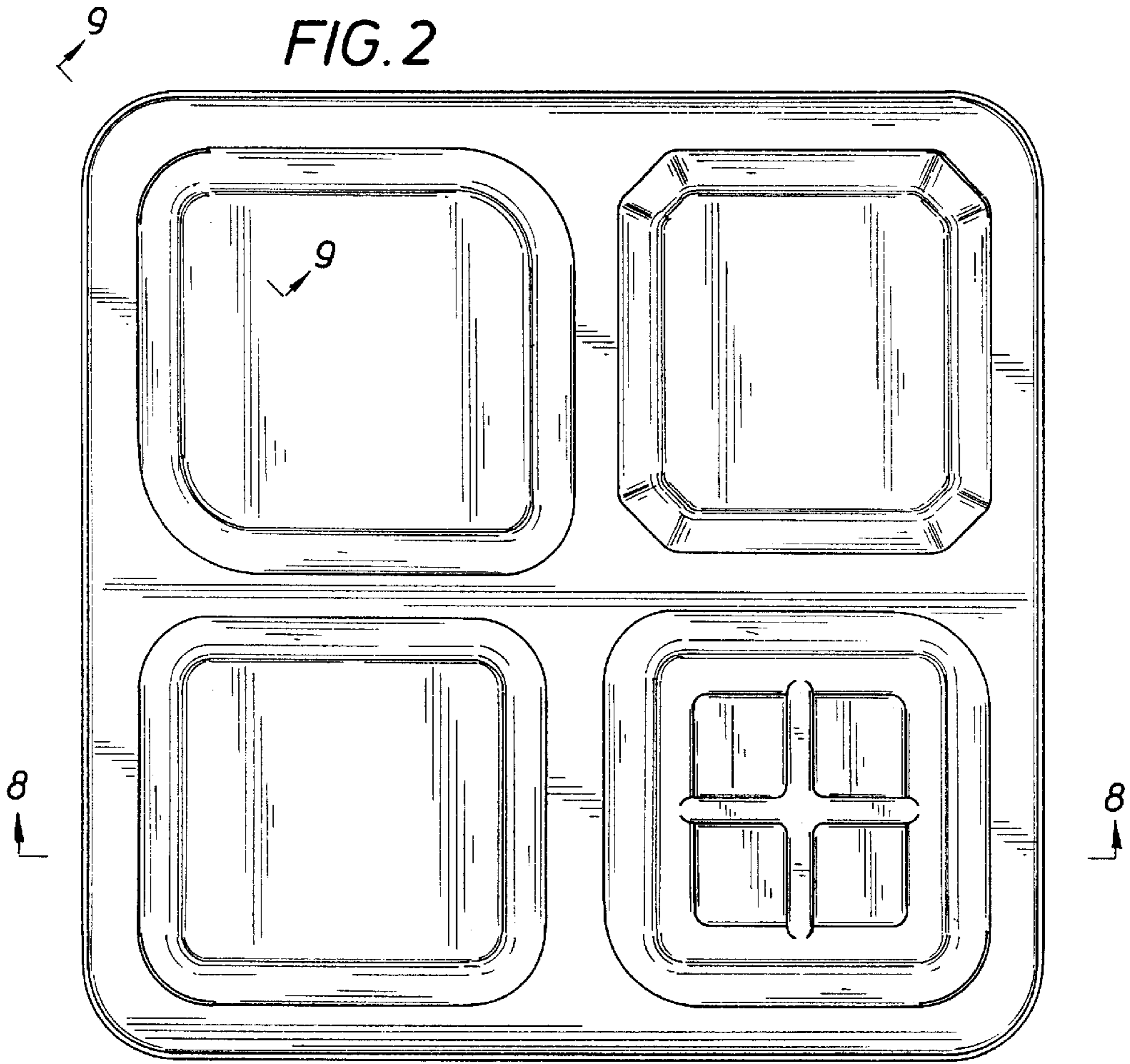
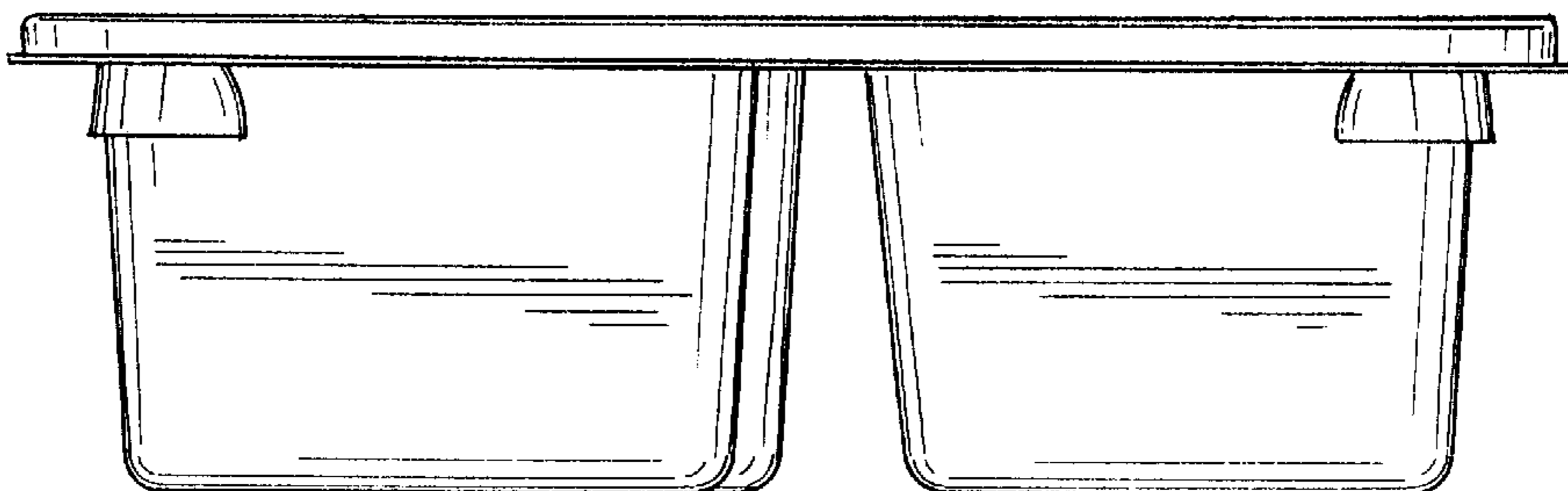


FIG. 4



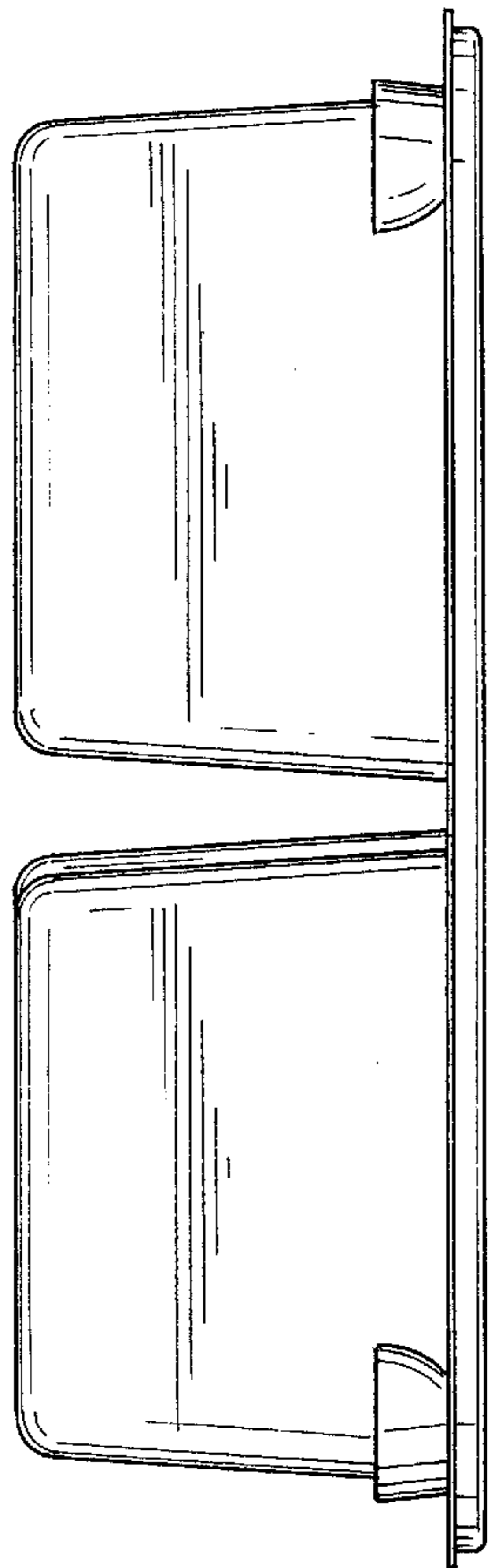


FIG. 5

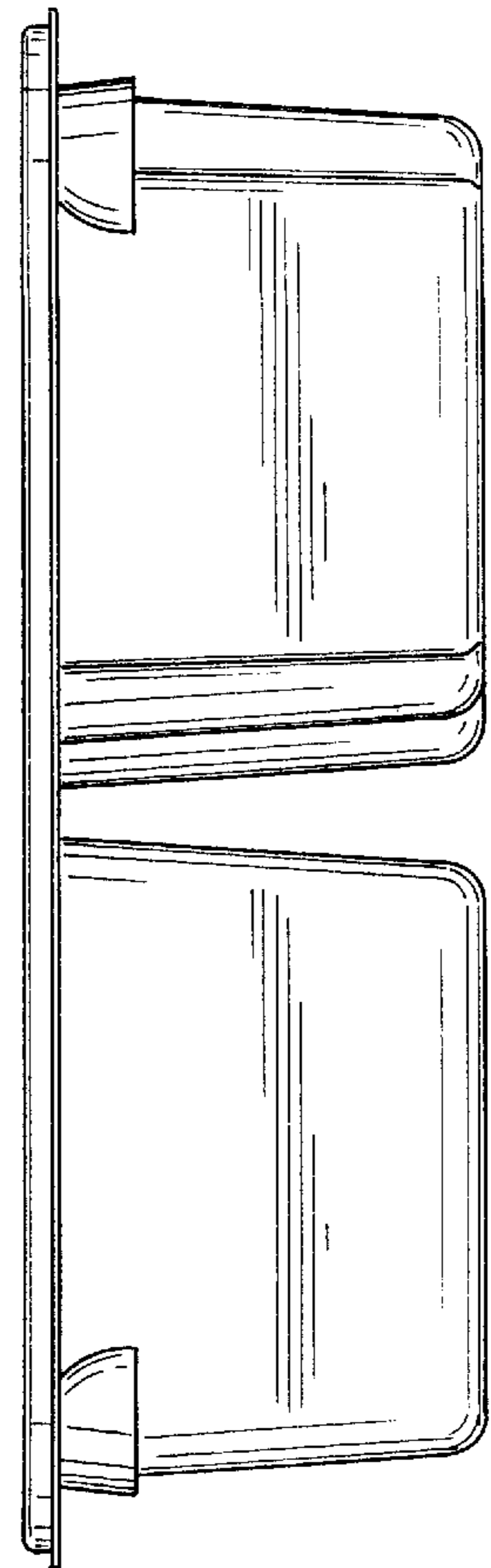


FIG. 6

FIG. 7

