



US00D417781S

United States Patent [19] Stäheli

[11] Patent Number: **Des. 417,781**

[45] Date of Patent: **** Dec. 21, 1999**

[54] **TOOL CASE**

[75] Inventor: **Heinz Stäheli**, Grabs, Switzerland

[73] Assignee: **Hilti Aktiengesellschaft**, Schaan, Liechtenstein

[**] Term: **14 Years**

[21] Appl. No.: **29/067,283**

[22] Filed: **Feb. 11, 1997**

Related U.S. Application Data

[62] Division of application No. 29/048,806, Dec. 22, 1995, Pat. No. Des. 385,109.

[30] Foreign Application Priority Data

Jun. 23, 1995 [CH] Switzerland DM 033 322

[51] **LOC (6) Cl.** **03-01**

[52] **U.S. Cl.** **D3/282; D3/276**

[58] **Field of Search** D3/273, 276, 281, D3/282, 283, 294, 291, 905; 206/349, 372, 373, 378; 190/110, 111, 112, 113

[56] References Cited

U.S. PATENT DOCUMENTS

D. 221,317 7/1971 Muller D3/282

D. 260,454	9/1981	Pepicelli, Jr. et al.	D3/282
D. 291,946	9/1987	Dottori et al.	D3/282
D. 321,985	12/1991	Ward	D3/282
D. 347,731	6/1994	Hayakawa et al.	D3/282
D. 351,504	10/1994	Tarozzi	D3/276
D. 351,727	10/1994	Tarozzi	D3/282
D. 357,117	4/1995	Huang	D3/282
D. 364,957	12/1995	Turbowitz	D3/276
D. 364,958	12/1995	Chang	D3/276
4,344,646	8/1982	Michel	D3/282

Primary Examiner—Philip S. Hyder
Attorney, Agent, or Firm—Brown & Wood, LLP

[57] CLAIM

The ornamental design for a tool case, as shown and described.

DESCRIPTION

FIG. 1 is a perspective view of a tool case showing my new design;
FIG. 2 is a front view;
FIG. 3 is a rear view;
FIG. 4 is a view from above;
FIG. 5 is a bottom view;
FIG. 6 is a view from one side;
FIG. 7 is a view from the other side; and,
FIG. 8 is a perspective view of FIG. 1, showing the tool case in a partly opened configuration.

1 Claim, 4 Drawing Sheets

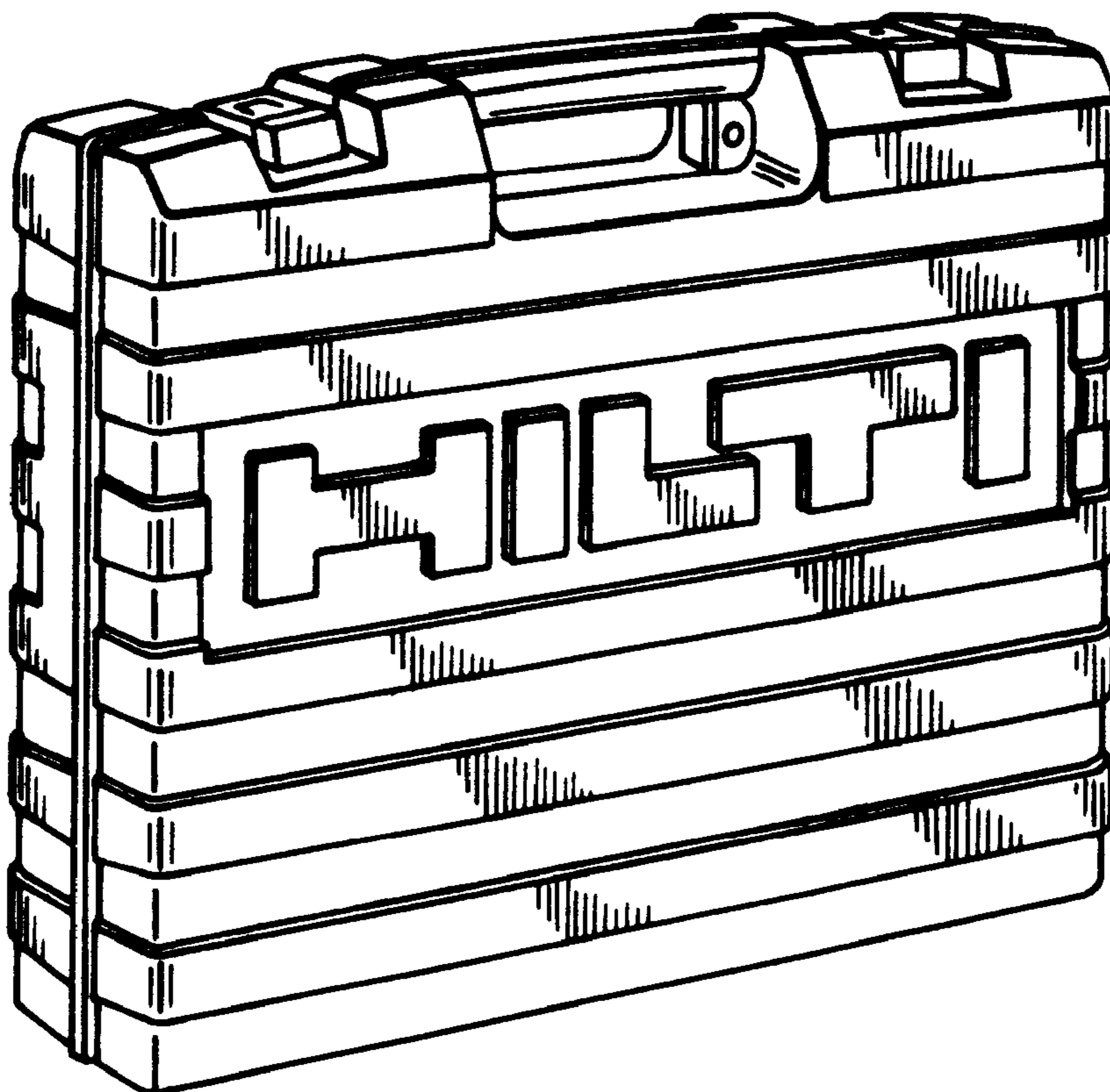


Fig. 1

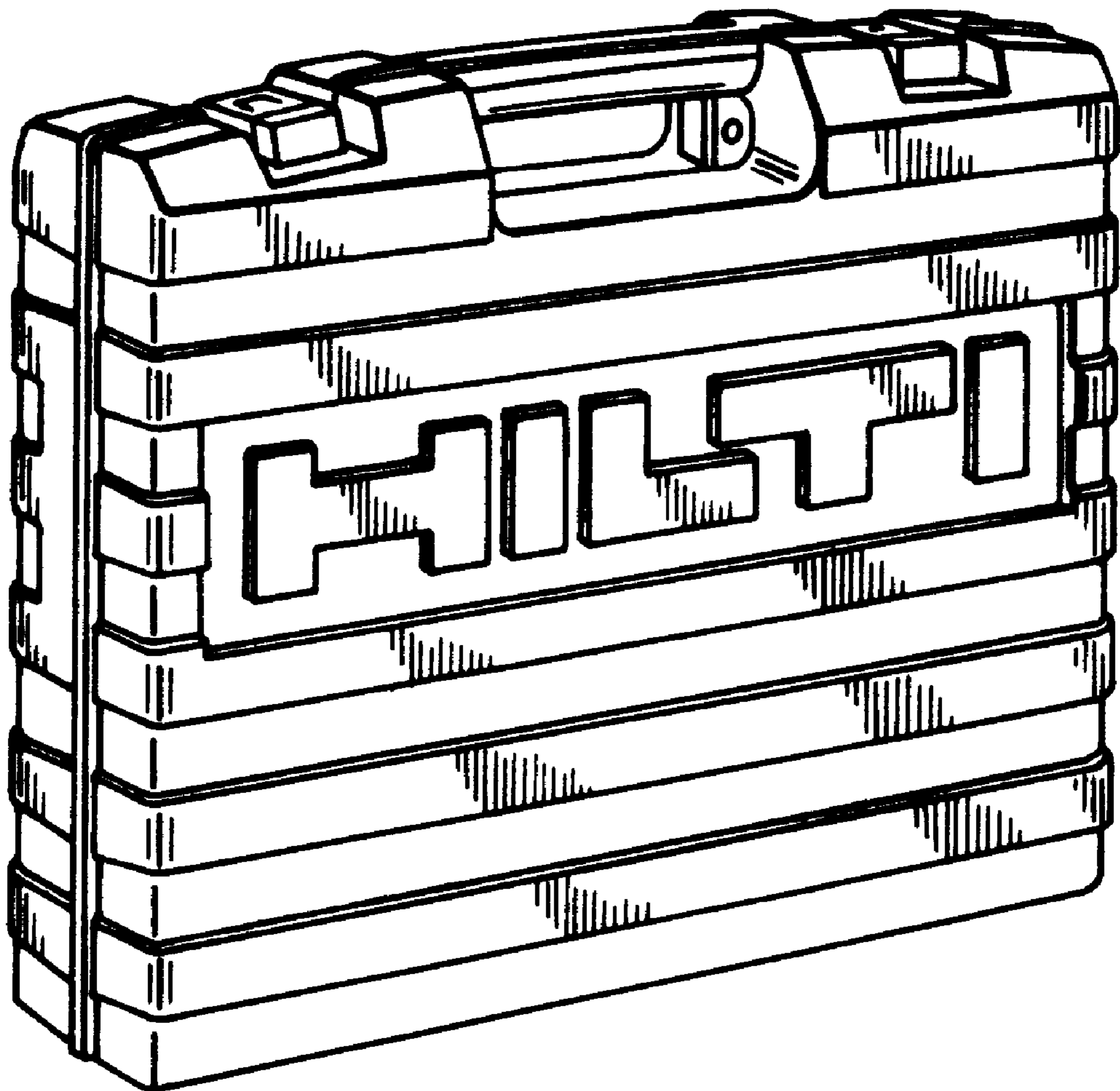


Fig. 2

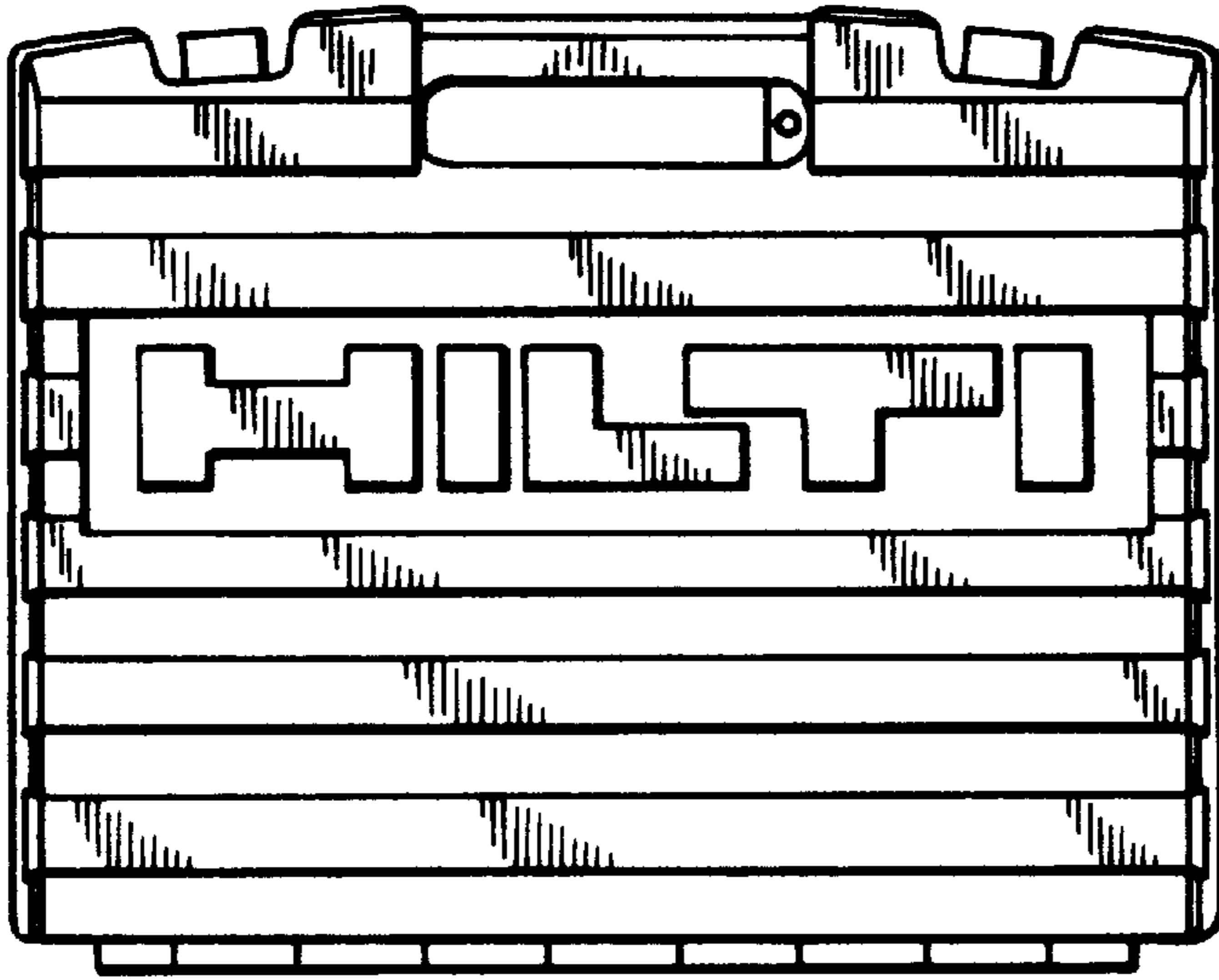


Fig. 3

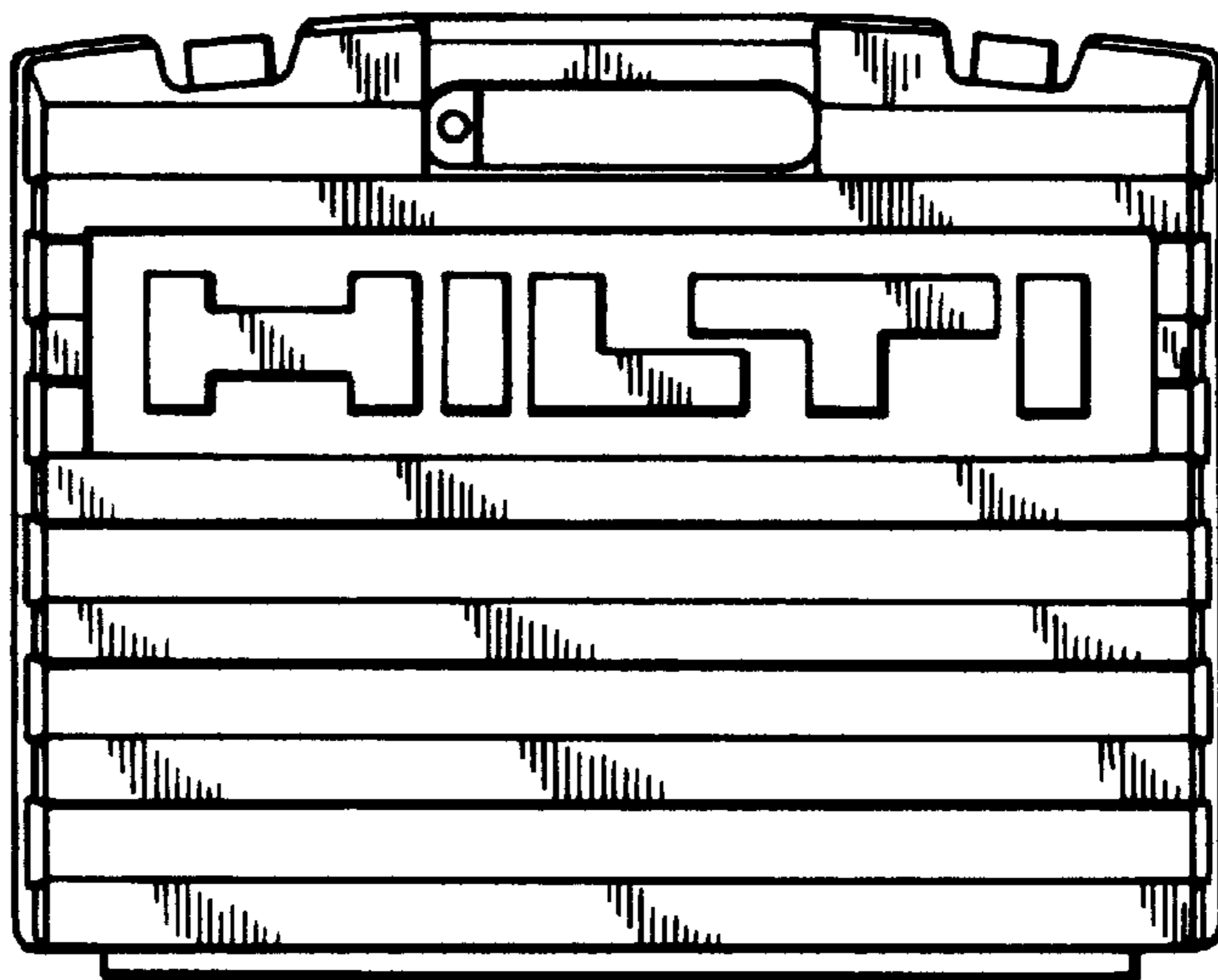


Fig. 4

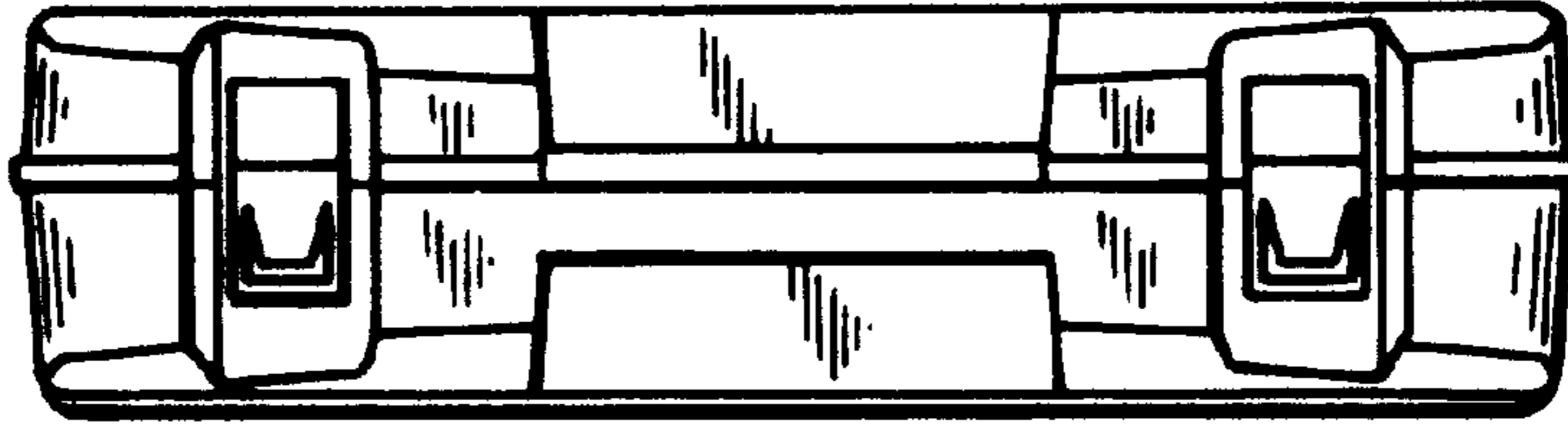


Fig. 5



Fig. 6

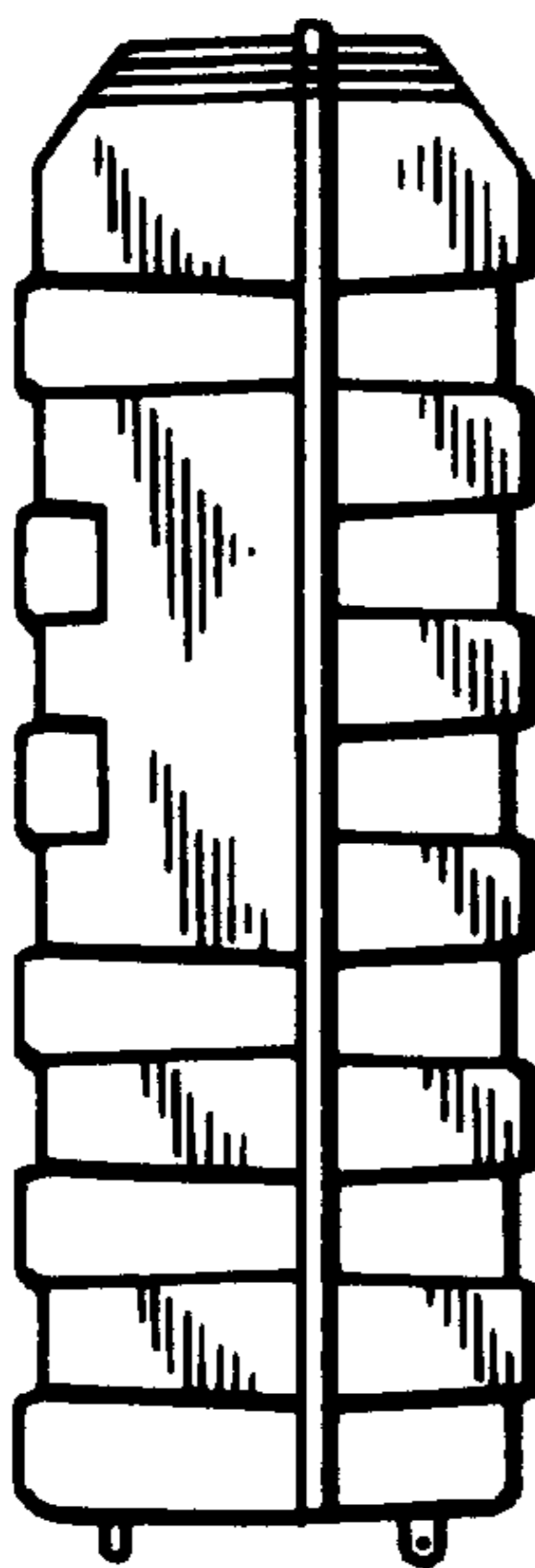


Fig. 7

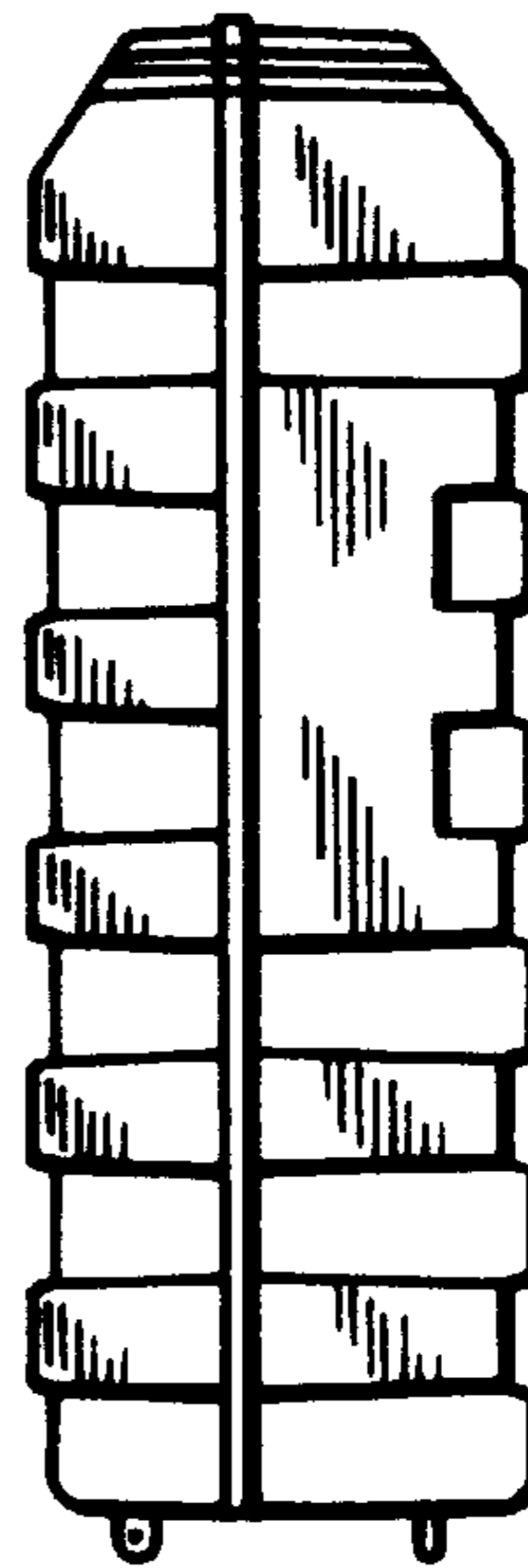


Fig. 8

