



US00D417780S

United States Patent [19] Gunter

[11] **Patent Number: Des. 417,780**

[45] **Date of Patent: ** Dec. 21, 1999**

[54] **COMBINED CASE AND GOLFING AID**

[76] Inventor: **David Hugh Gunter**, 6 Bluebell Court, Ty Canol, Cwmbran, Gwent, United Kingdom, NP44 6JN

[**] Term: **14 Years**

[21] Appl. No.: **29/082,485**

[22] Filed: **Jan. 23, 1998**

[30] **Foreign Application Priority Data**

Jul. 29, 1997 [GB] United Kingdom 2-067-813

[51] **LOC (6) Cl.** **03-01**

[52] **U.S. Cl.** **D3/254**

[58] **Field of Search** D3/254, 221, 301, D3/303, 901, 904, 905, 259, 281, 283, 288, 257; 224/919, 918, 274; 190/114; 206/315.1, 579

[56] **References Cited**

U.S. PATENT DOCUMENTS

- D. 314,083 1/1991 Hankinson D3/900 X
- D. 333,858 3/1993 Pitz D3/257
- D. 335,321 5/1993 Williams et al. D3/224 X
- D. 343,729 2/1994 King D3/900
- D. 383,896 9/1997 Whang D3/254
- 5,642,809 7/1997 Mayville 206/315.1 X

Primary Examiner—Louis S. Zarfaz
Assistant Examiner—Catherine R Oliver
Attorney, Agent, or Firm—Louis Woo

[57] **CLAIM**

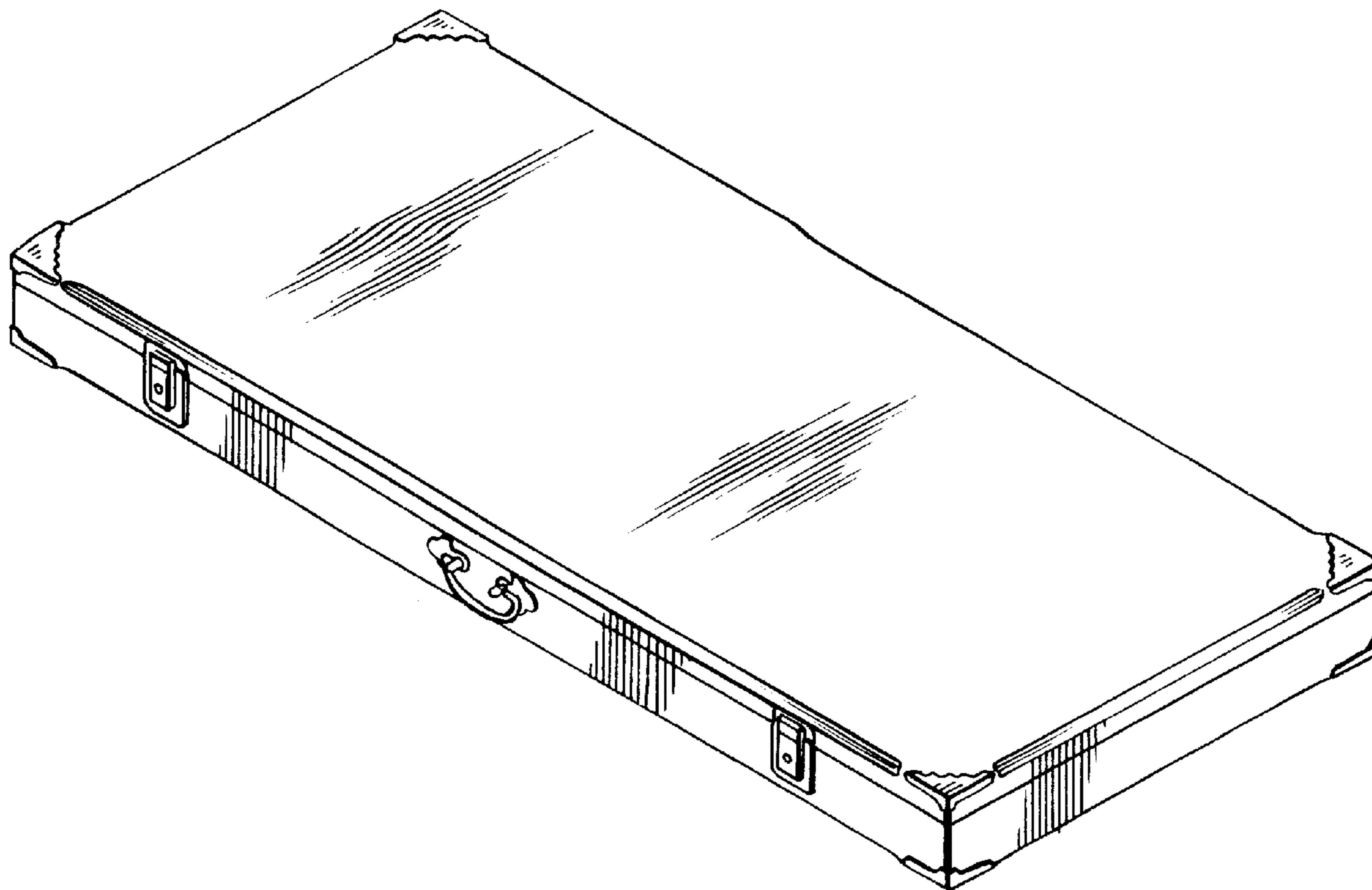
The ornamental design for a combined case and golfing aid, as shown and described.

DESCRIPTION

FIG. 1 is a perspective view of the combined case and golfing aid showing my new design;
 FIG. 2 is a bottom plan view thereof;
 FIG. 3 is a front elevational view thereof;
 FIG. 4 is a rear elevational view thereof;
 FIG. 5 is a top plan view, with the case shown open;
 FIG. 6 is a perspective view of the golfing aid with side rails open;
 FIG. 7 is a front elevational view of the golfing aid with the side rails open;
 FIG. 8 is a top plan view thereof;
 FIG. 9 is a front elevational view, with the side rails closed;
 FIG. 10 is a rear elevational view thereof; and,
 FIG. 11 is a bottom plan view thereof.

(The broken line showing of environment in FIG. 5 is for illustrative purposes only and forms no part of the claimed design.)

1 Claim, 4 Drawing Sheets



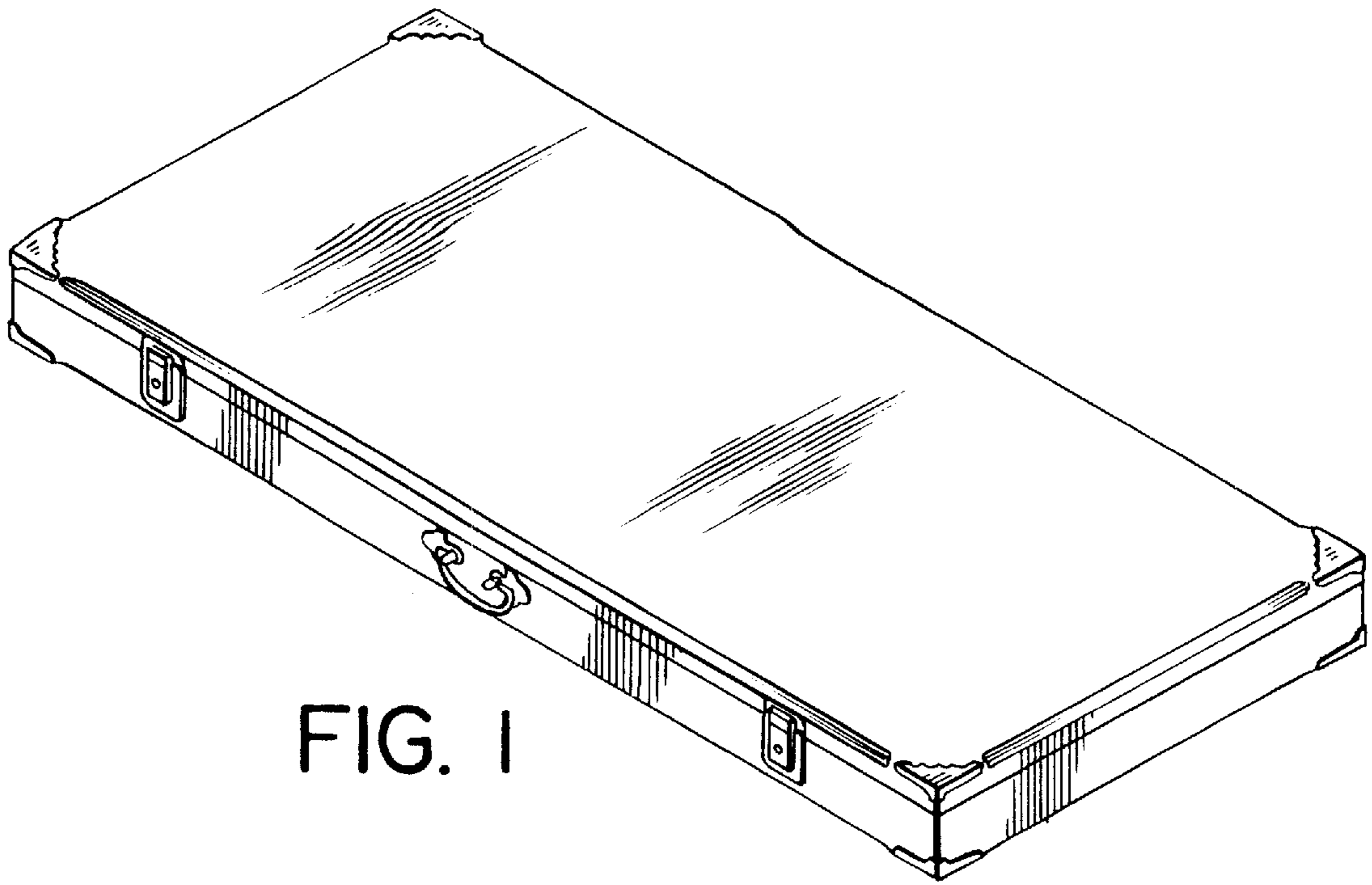


FIG. 1

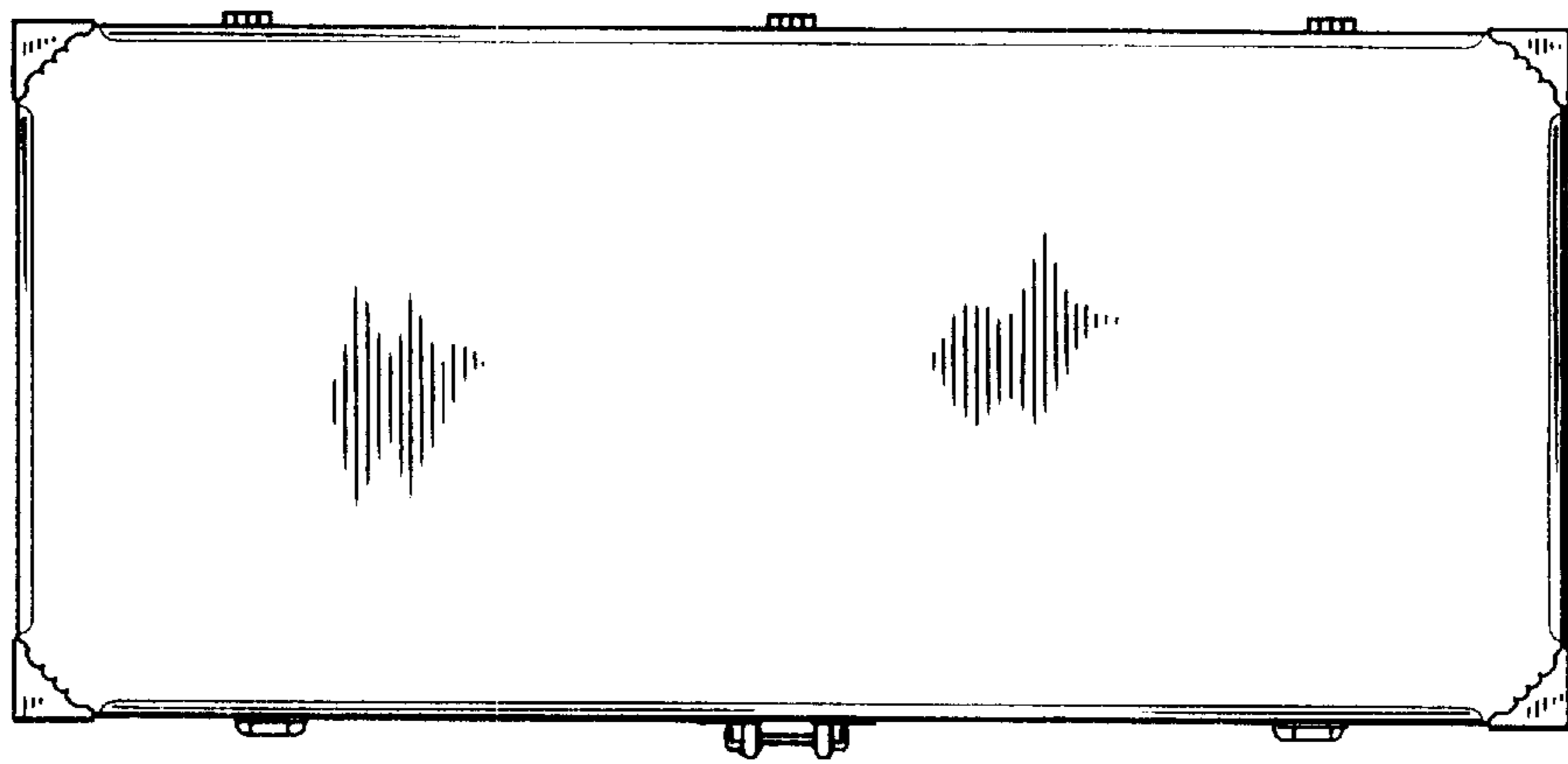


FIG. 2



FIG. 3



FIG. 4

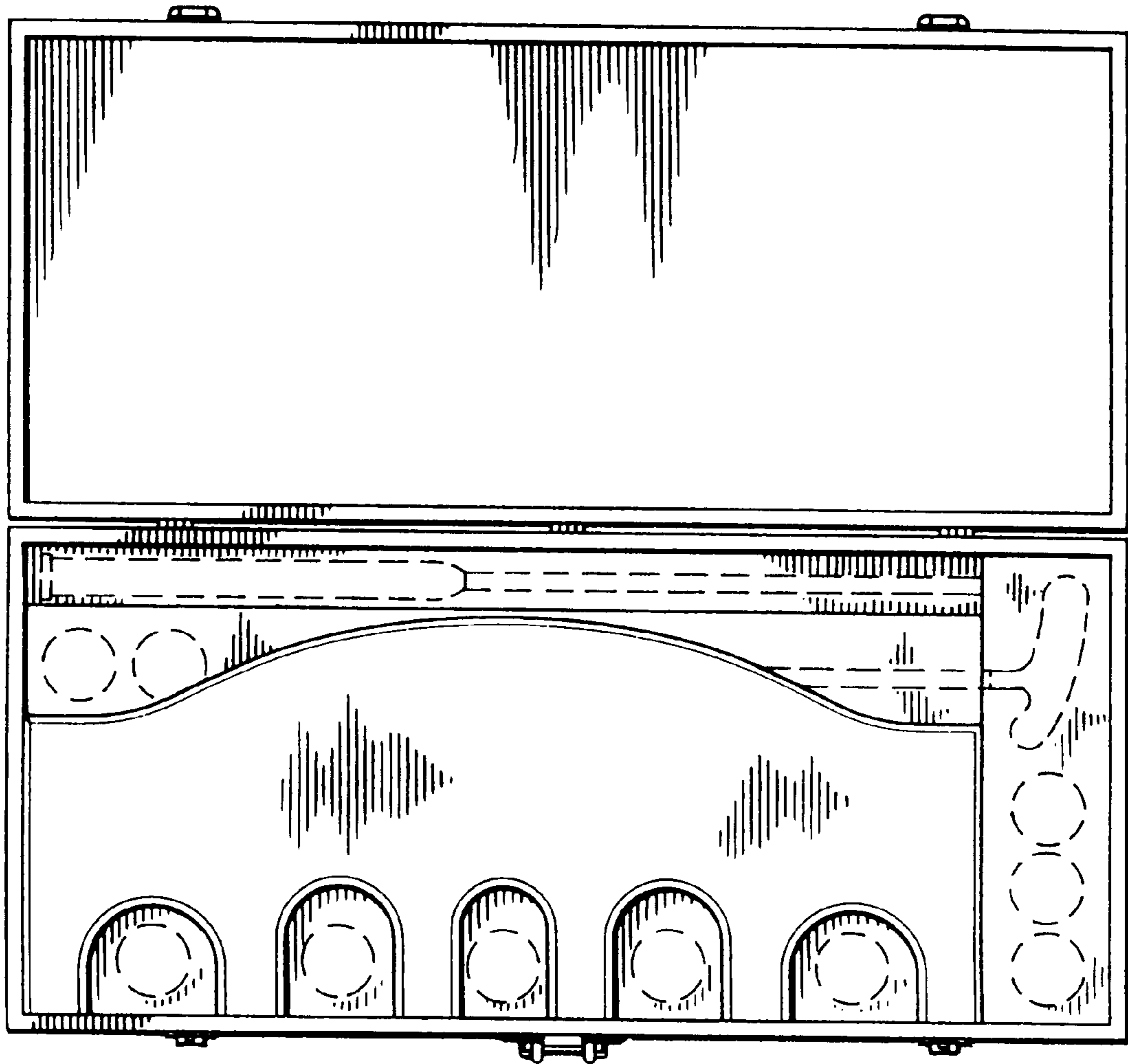


FIG. 5

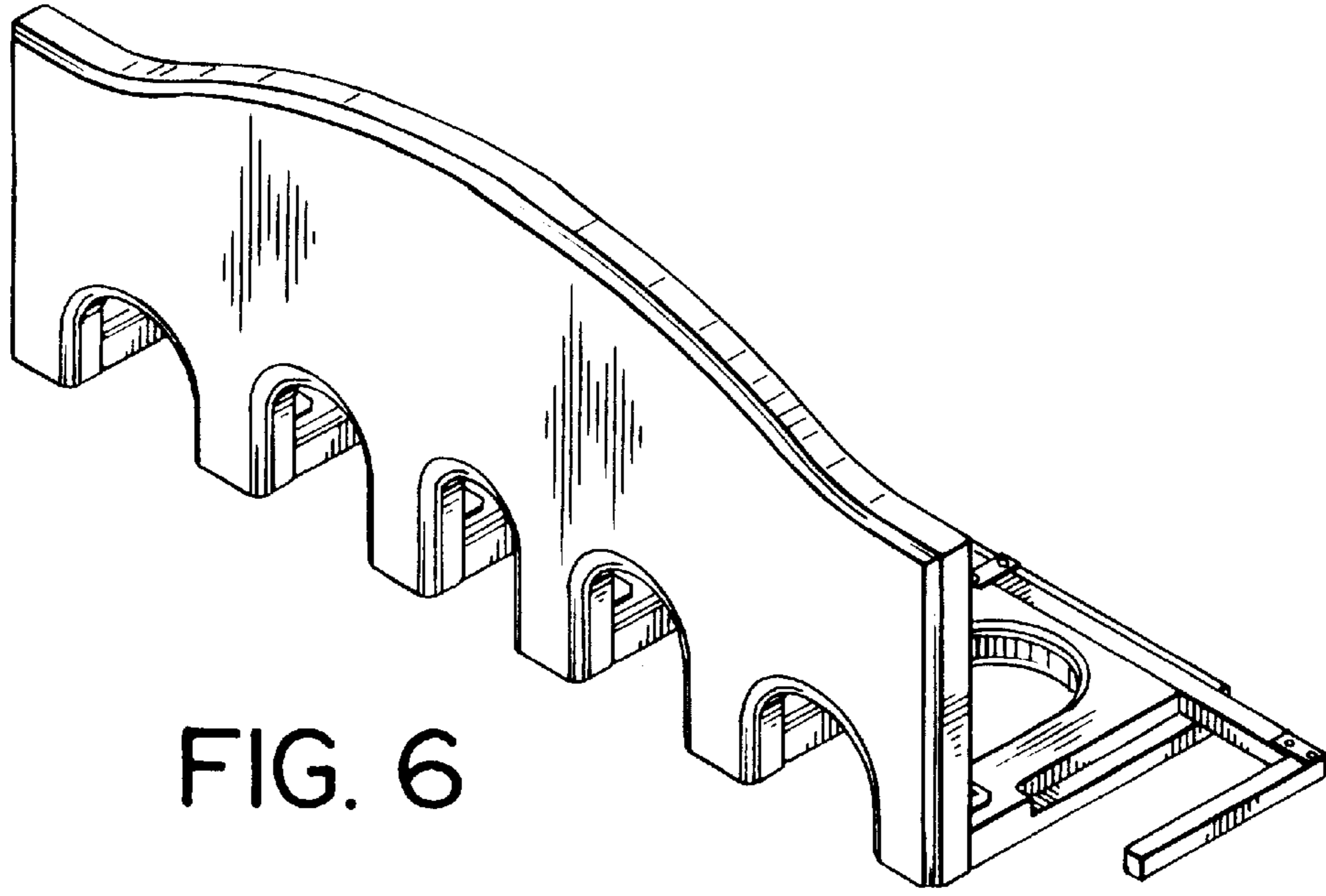


FIG. 6

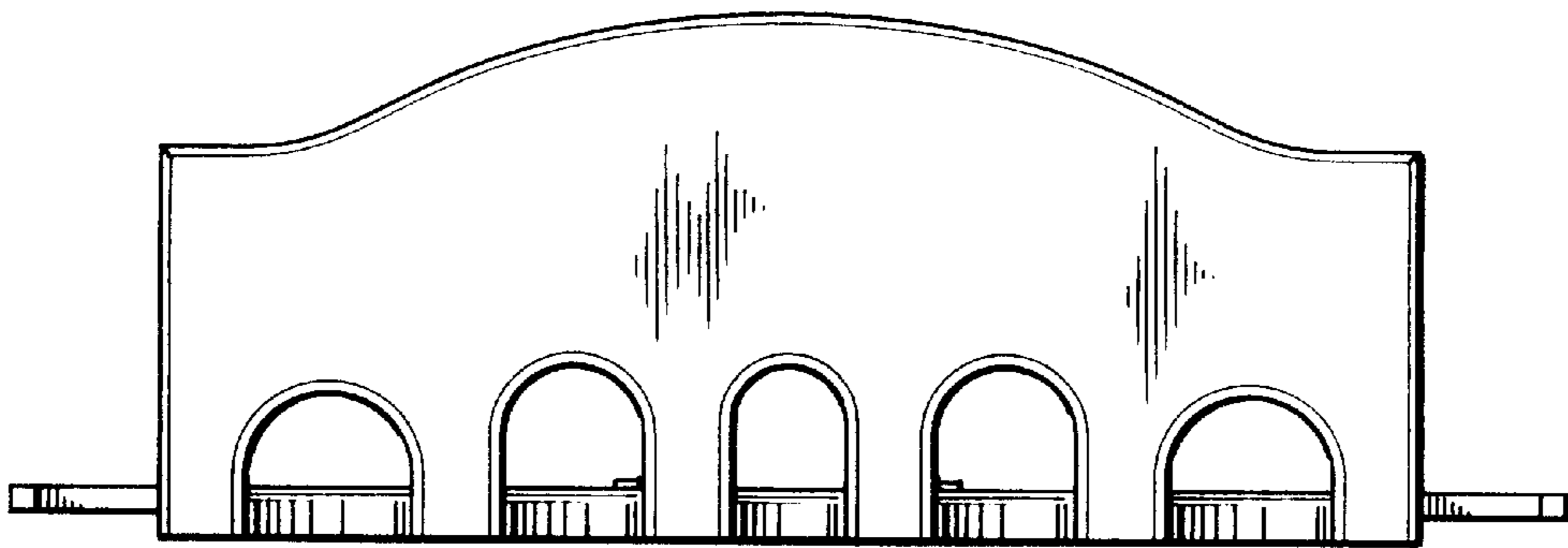


FIG. 7

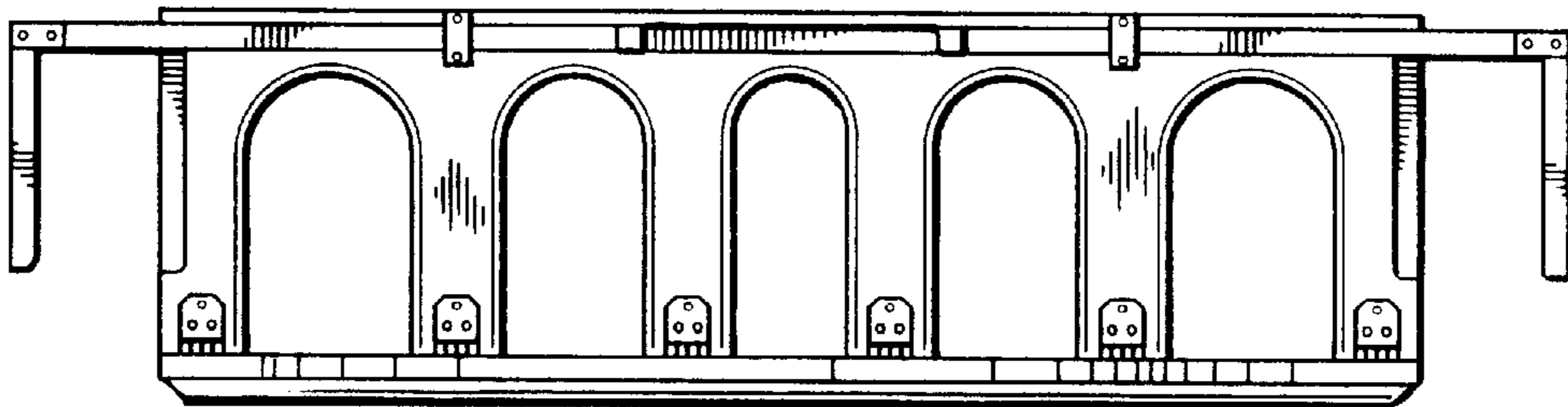


FIG. 8

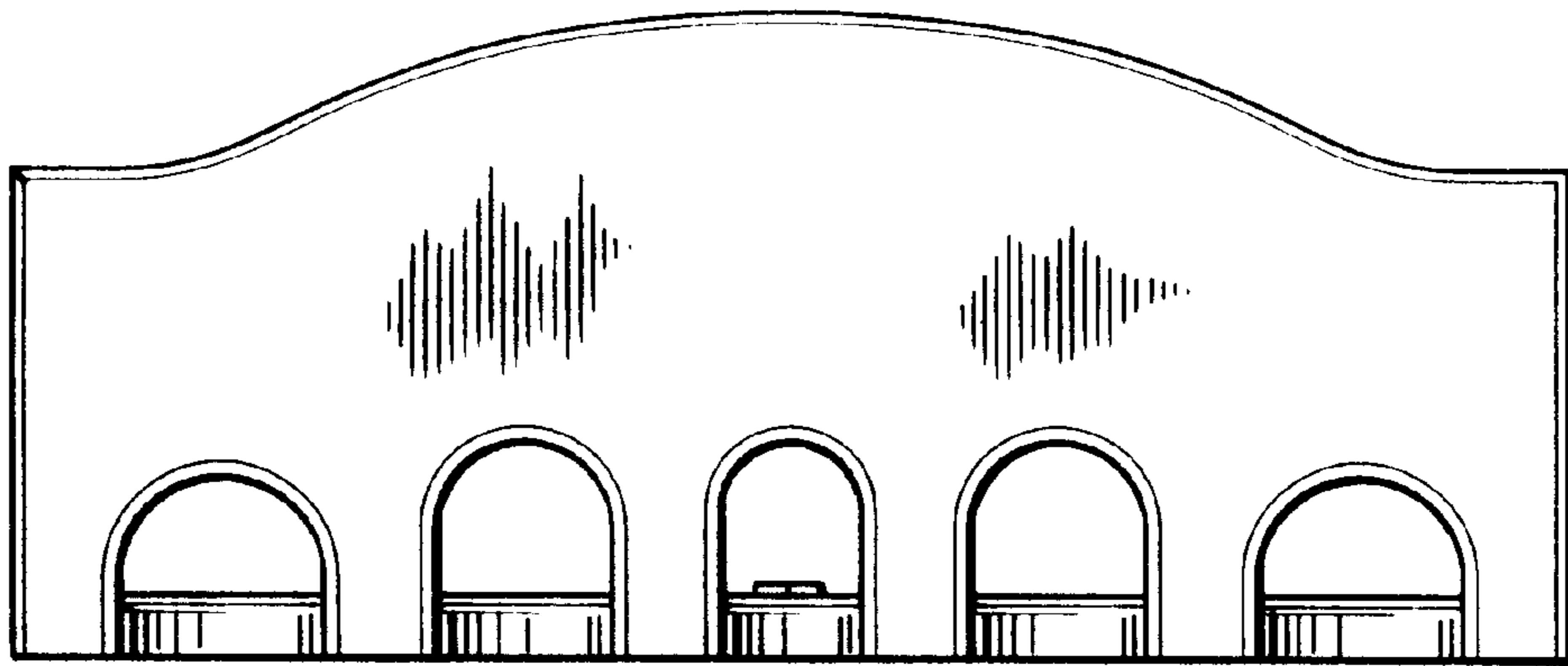


FIG. 9

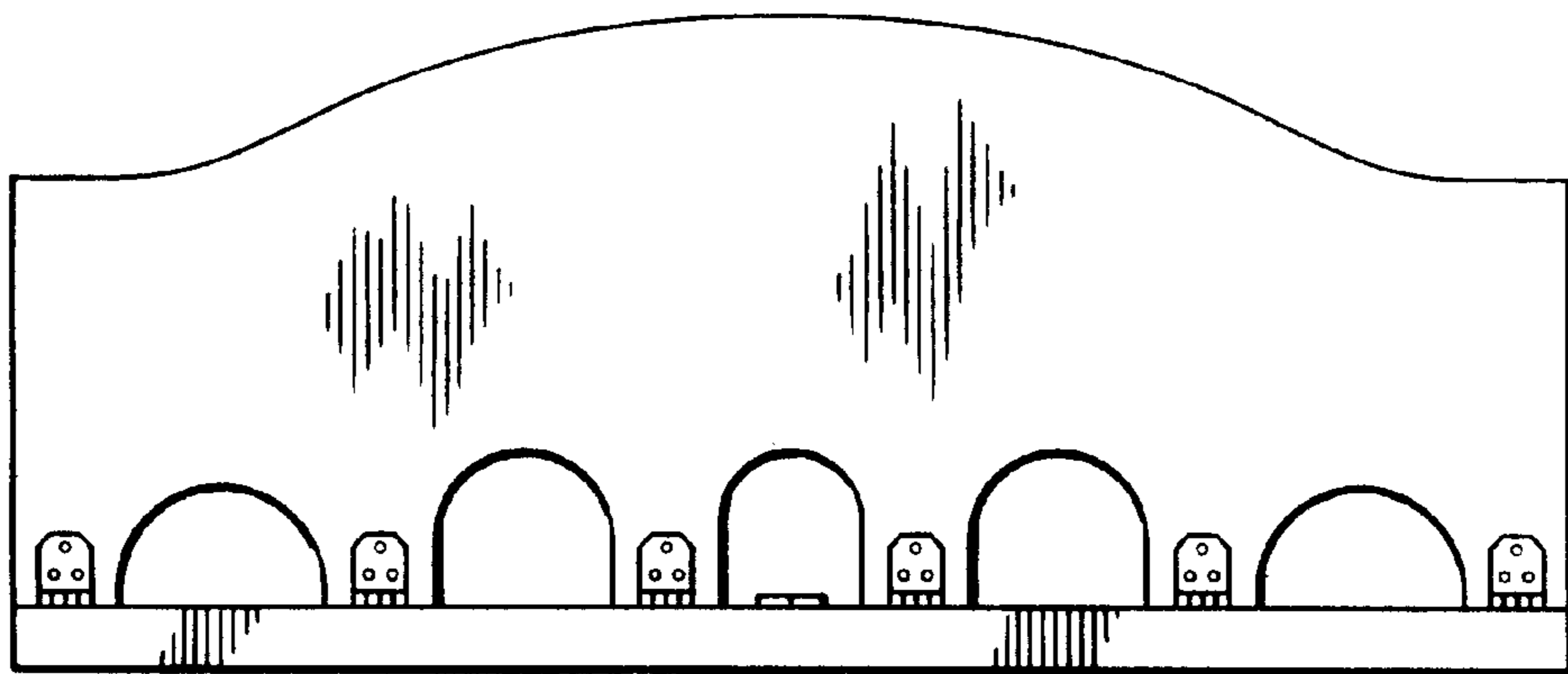


FIG. 10

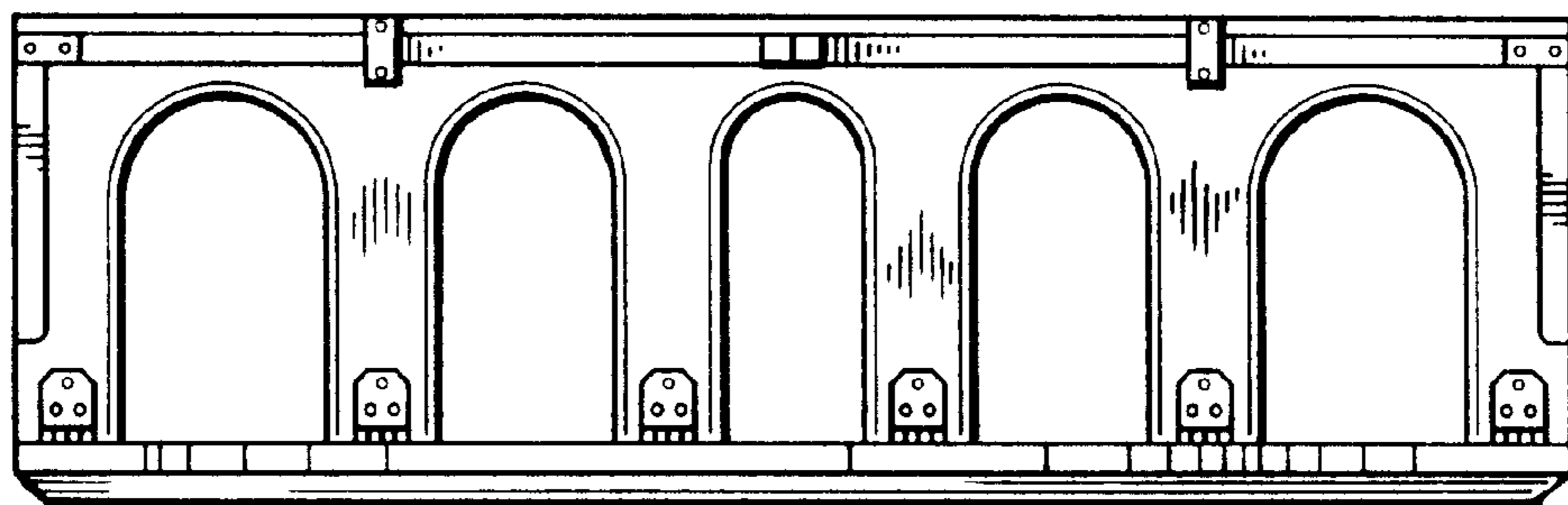


FIG. 11