



US00D417765S

United States Patent [19]
Morello

[11] **Patent Number: Des. 417,765**

[45] **Date of Patent: ** Dec. 14, 1999**

[54] **MOULDABLE PALLET**

[75] **Inventor: Joseph Luciano Morello, 545
Brunswick Street, Apartment 6,
Stratford, Ontario, Canada, N5A 3N7**

[73] **Assignee: Joseph Luciano Morello, Stratford,
Canada**

[**] **Term: 14 Years**

[21] **Appl. No.: 29/099,119**

[22] **Filed: Jan. 12, 1999**

[51] **LOC (6) Cl. 09-08**

[52] **U.S. Cl. D34/38**

[58] **Field of Search D34/38, 28; 108/51.11,
108/53.1, 56.1, 56.3, 55.3, 57.1, 57.28,
57.25; 248/346.02**

[56] **References Cited**

U.S. PATENT DOCUMENTS

D. 217,860	6/1970	Bartee	D34/38
D. 219,140	11/1970	Good et al.	D34/38
D. 225,841	1/1973	Skendrovik	D34/38
D. 226,185	1/1973	Freund	D34/38

D. 228,896	10/1973	Melnick et al.	D34/38
D. 234,348	2/1975	Moses	D34/38
D. 295,568	5/1988	Rothwell et al.	D34/38
3,699,901	10/1972	Cook, III	108/51.11
4,480,748	11/1984	Wind	108/55.3
5,755,162	5/1998	Knight et al.	108/51.1
5,791,262	8/1998	Knight et al.	108/57.25

Primary Examiner—Susan J. Lucas
Assistant Examiner—Cynthia E. Ramirez
Attorney, Agent, or Firm—Anthony Asquith & Co.

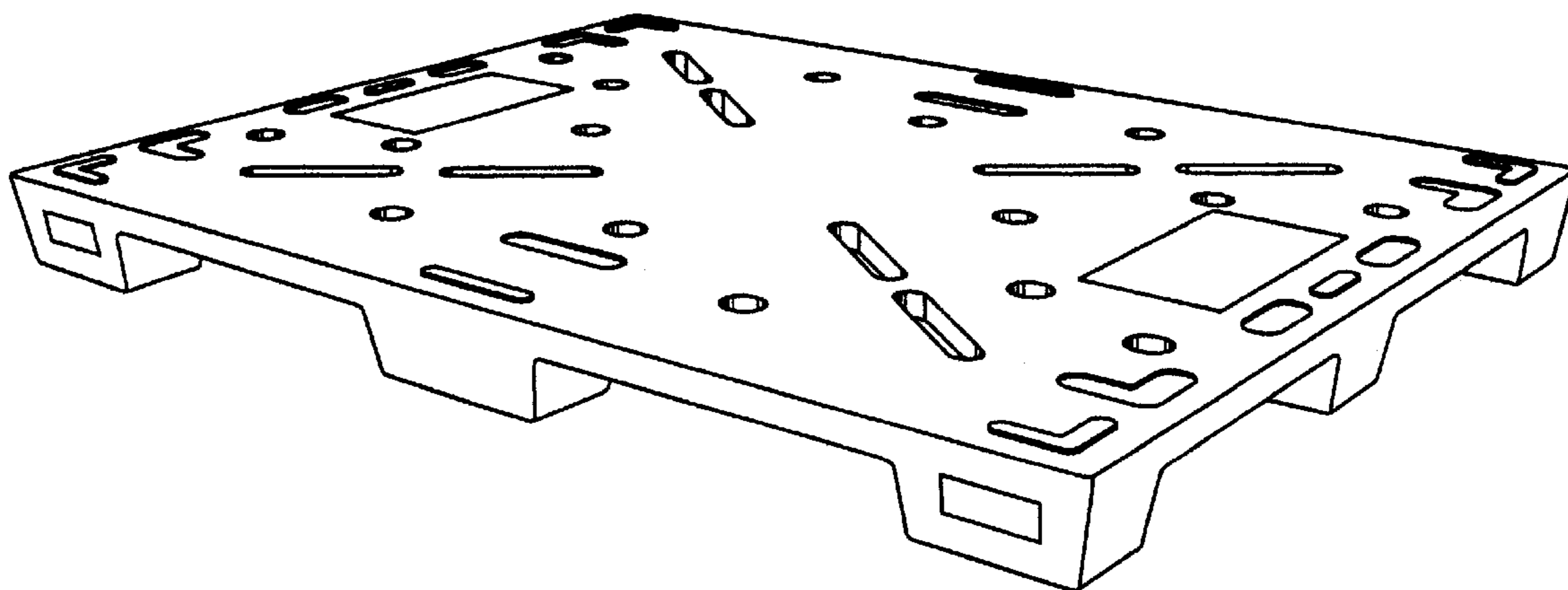
[57] **CLAIM**

The ornamental design for the mouldable pallet, as shown.

DESCRIPTION

FIG. 1 is a top plan view of the article in which the design is embodied;
FIG. 2 is a bottom plan view of the article;
FIG. 3 is a left side view of the article;
FIG. 4 is a right side view of the article;
FIG. 5 is a front view of the article;
FIG. 6 is a rear view of the article; and,
FIG. 7 is a pictorial view of the article in which the design is embodied.

1 Claim, 4 Drawing Sheets



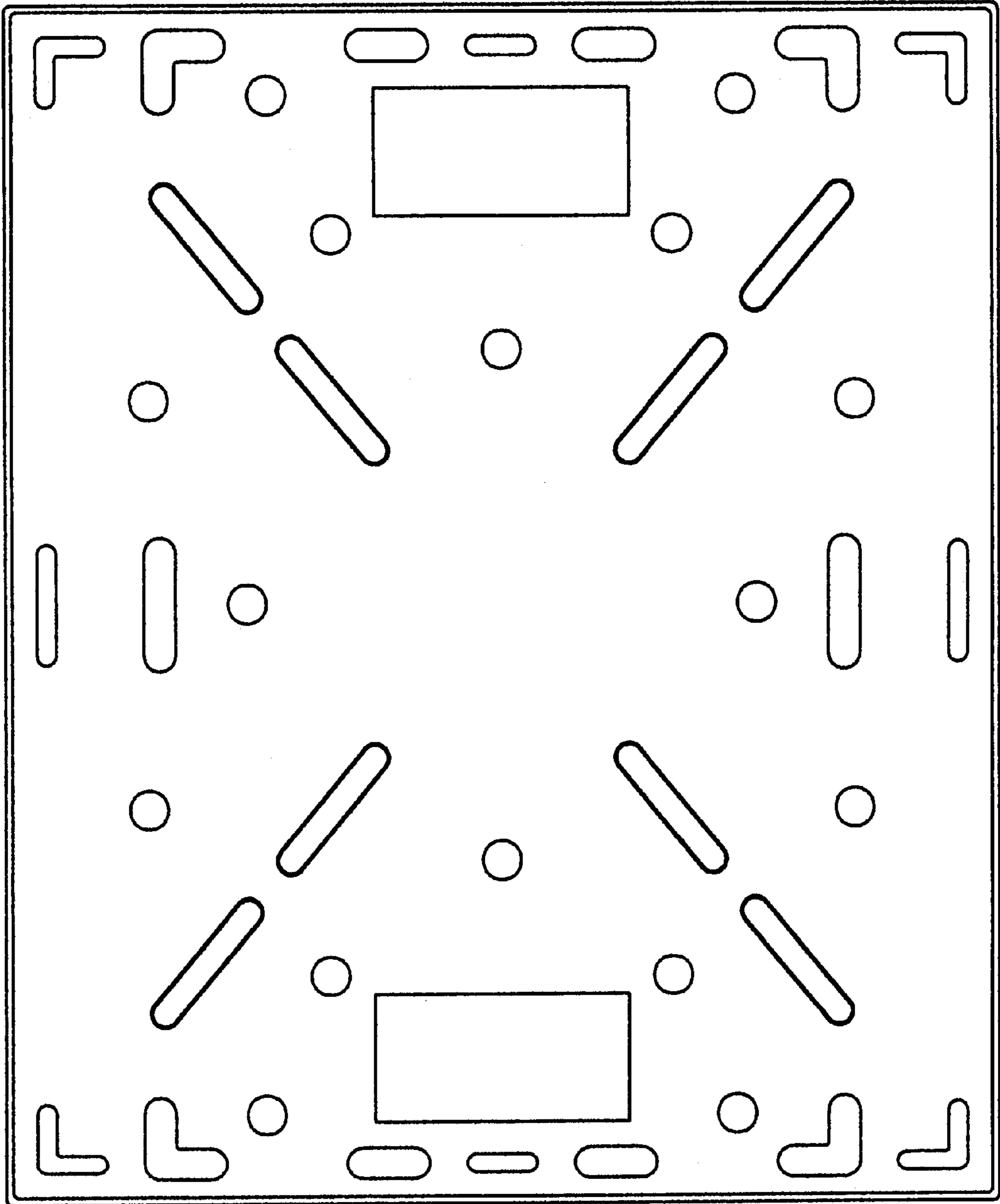


Fig. 1

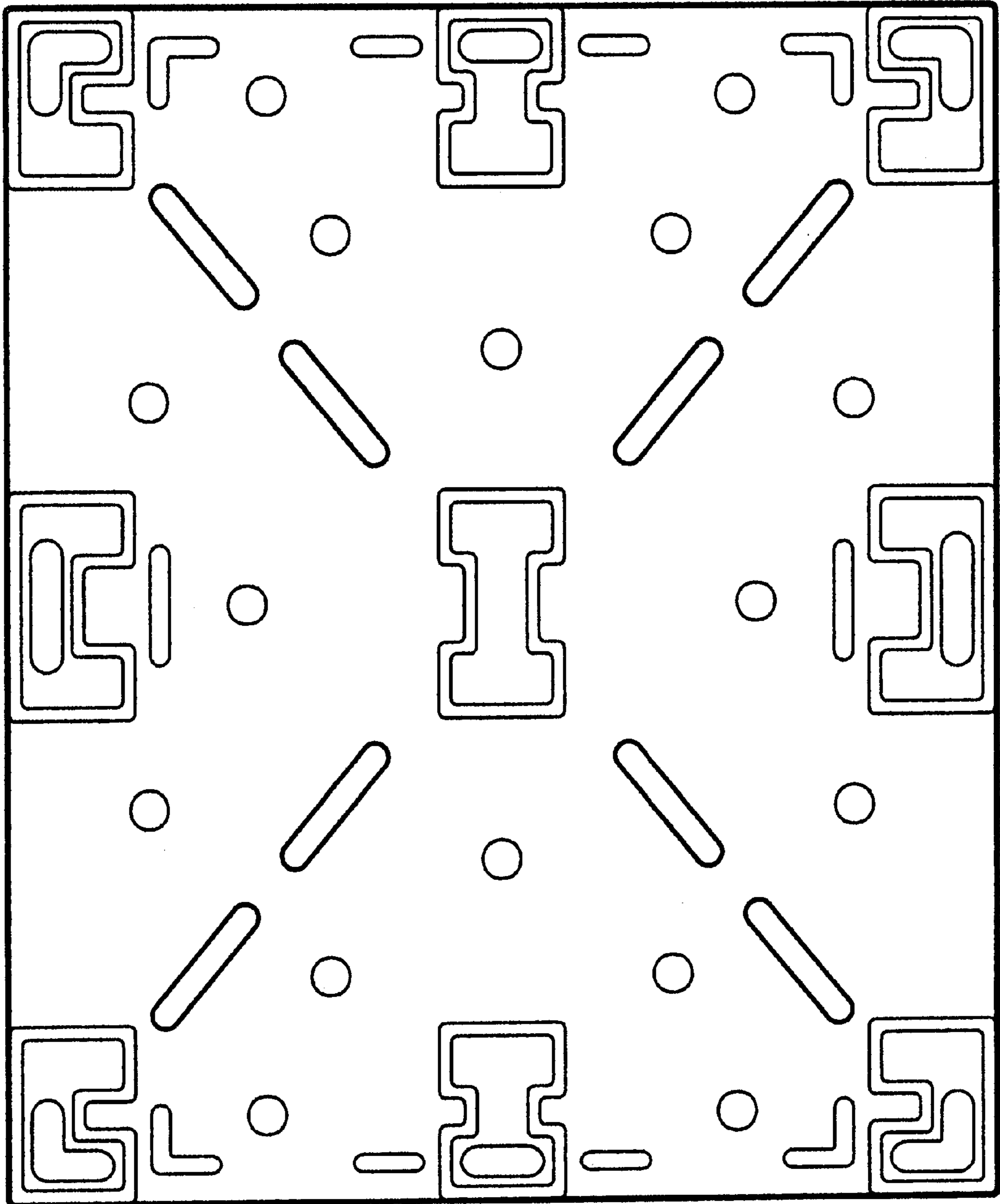


Fig. 2



Fig. 3

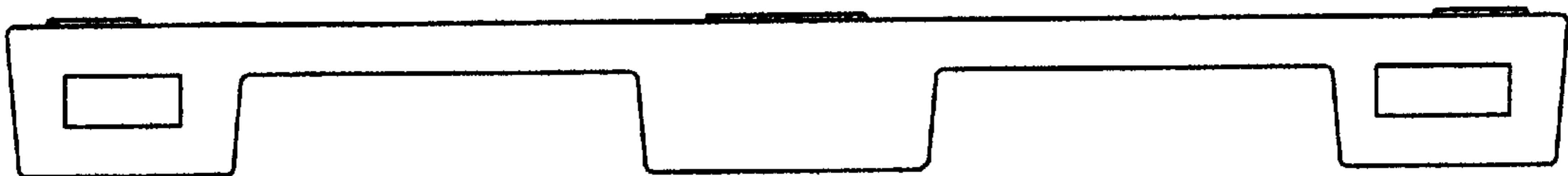


Fig. 4

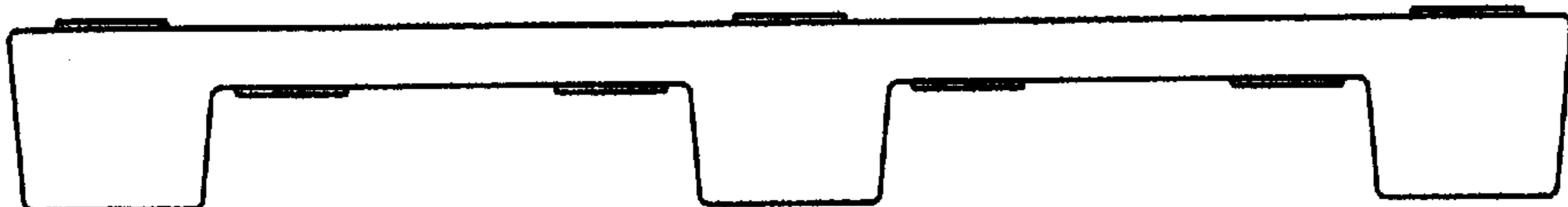


Fig. 5

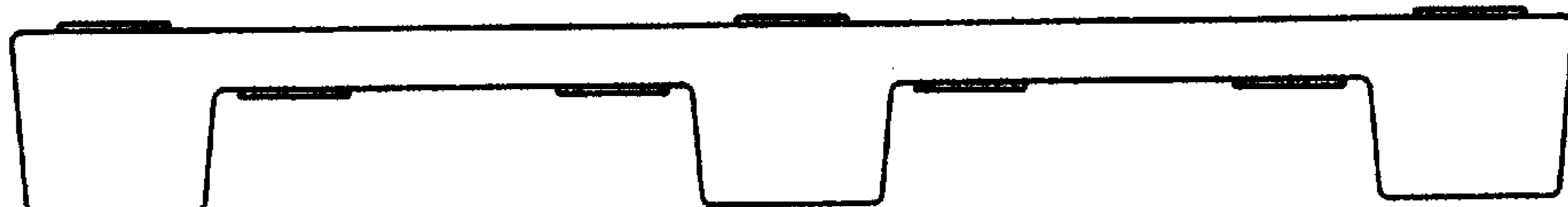


Fig. 6

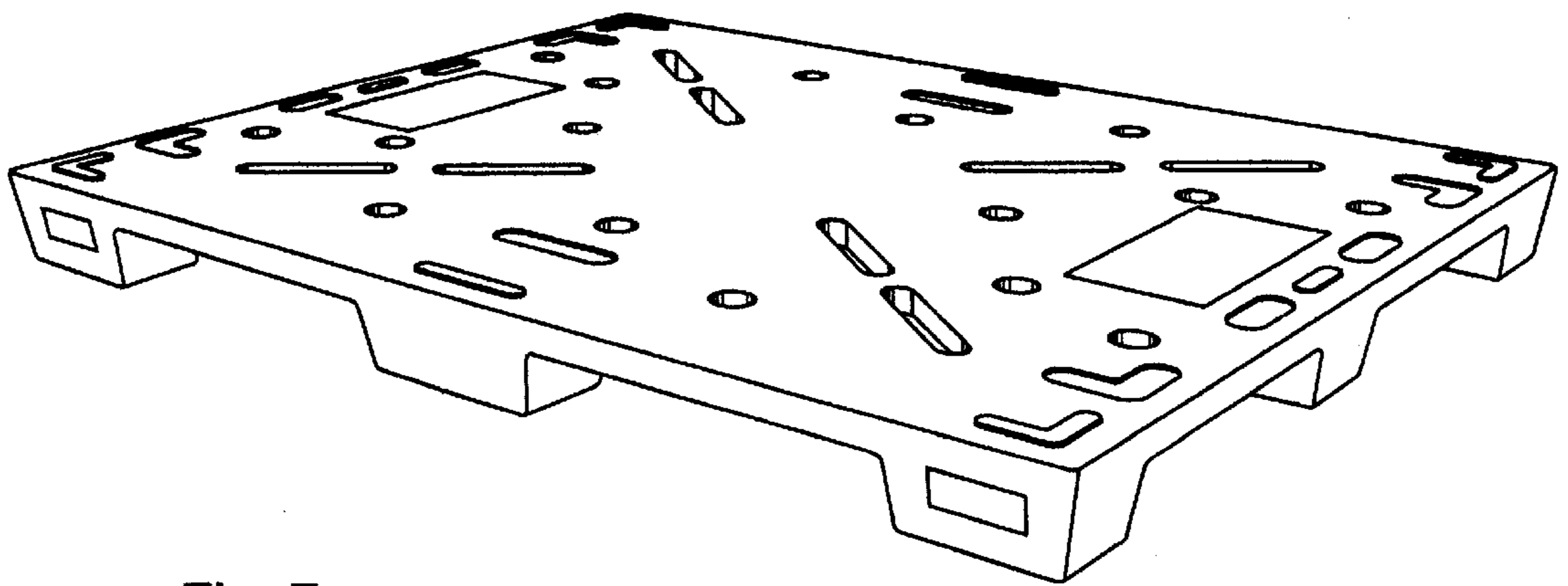


Fig. 7