



US00D417764S

United States Patent [19] Barringer

[11] Patent Number: **Des. 417,764**

[45] Date of Patent: **** Dec. 14, 1999**

[54] TRENCH SHIELD HANDLING ASSEMBLY

[75] Inventor: **Luther Bradford Barringer**, Richfield, N.C.

[73] Assignee: **Efficiency Production, Inc.**, Mason, Mich.

[**] Term: **14 Years**

[21] Appl. No.: **29/051,954**

[22] Filed: **Mar. 19, 1996**

[51] LOC (6) Cl. **12-05**

[52] U.S. Cl. **D34/35**

[58] Field of Search D34/35, 33, 28;
405/272, 274-281, 283, 289, 285, 232,
231, 296, 247, 303; 269/46; 294/67.1, 67.3,
81.5

[56] **References Cited**

U.S. PATENT DOCUMENTS

158,434	1/1875	Newcomb	294/67.3
D. 220,964	6/1971	Ledington	D34/33
D. 268,060	2/1983	Sutela	D34/35
D. 330,671	11/1992	Greene et al.	D34/33 X
D. 337,412	7/1993	Ruggles	D34/35

1,587,301	6/1926	Hanley, Jr.	294/67.1
1,919,549	7/1933	Fryslie	294/67.3 X
3,606,438	9/1971	Feczko	294/67.3 X
4,576,542	3/1986	Brasell et al.	294/67.1 X
4,826,228	5/1989	Dintz et al.	294/67.1

FOREIGN PATENT DOCUMENTS

1383953	10/1963	France	405/283
29613341	10/1988	France	294/67.3

Primary Examiner—M. N. Pandozzi
Attorney, Agent, or Firm—Miller, Morriss & Pappas

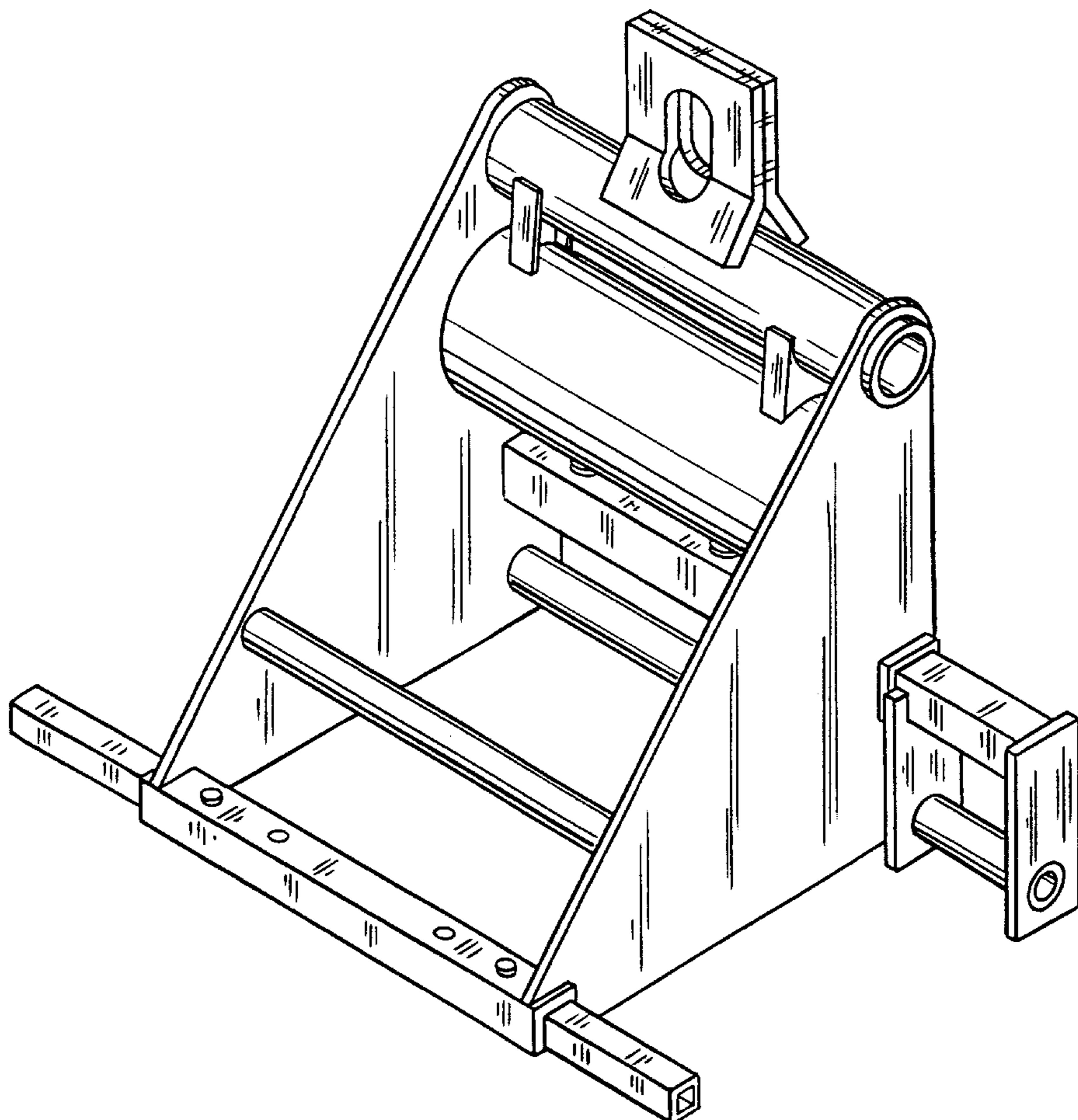
[57] **CLAIM**

I claim the ornamental design for trench shield handling assembly, as shown.

DESCRIPTION

FIG. 1 is a rear perspective view of the trench shield handling assembly showing my new design.
FIG. 2 is a front perspective view thereof.
FIG. 3 is a front elevational view thereof.
FIG. 4 is a left side elevational view thereof.
FIG. 5 is a right side elevational view thereof; and,
FIG. 6 is a bottom plan view thereof.

1 Claim, 5 Drawing Sheets



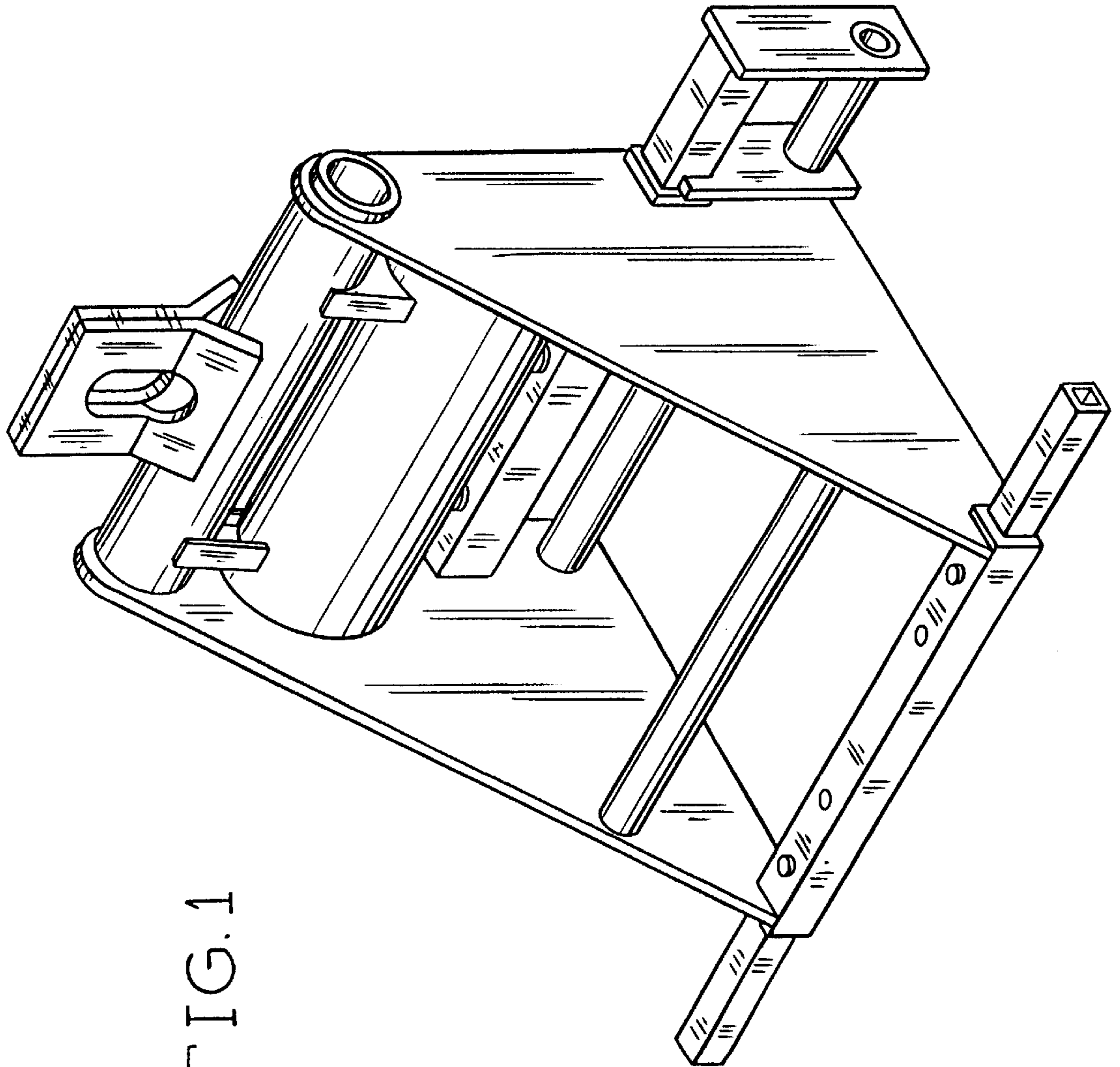


FIG. 1

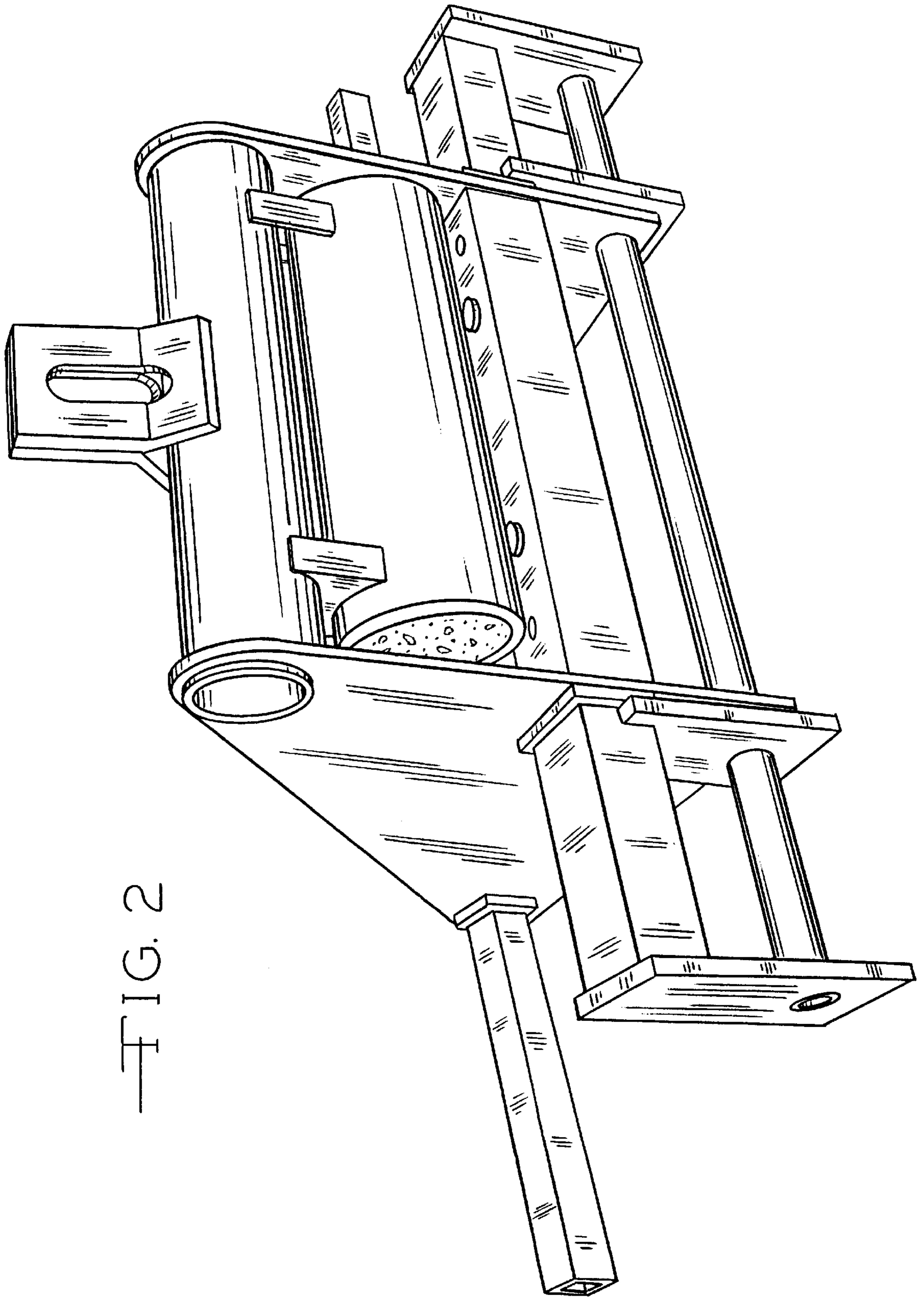
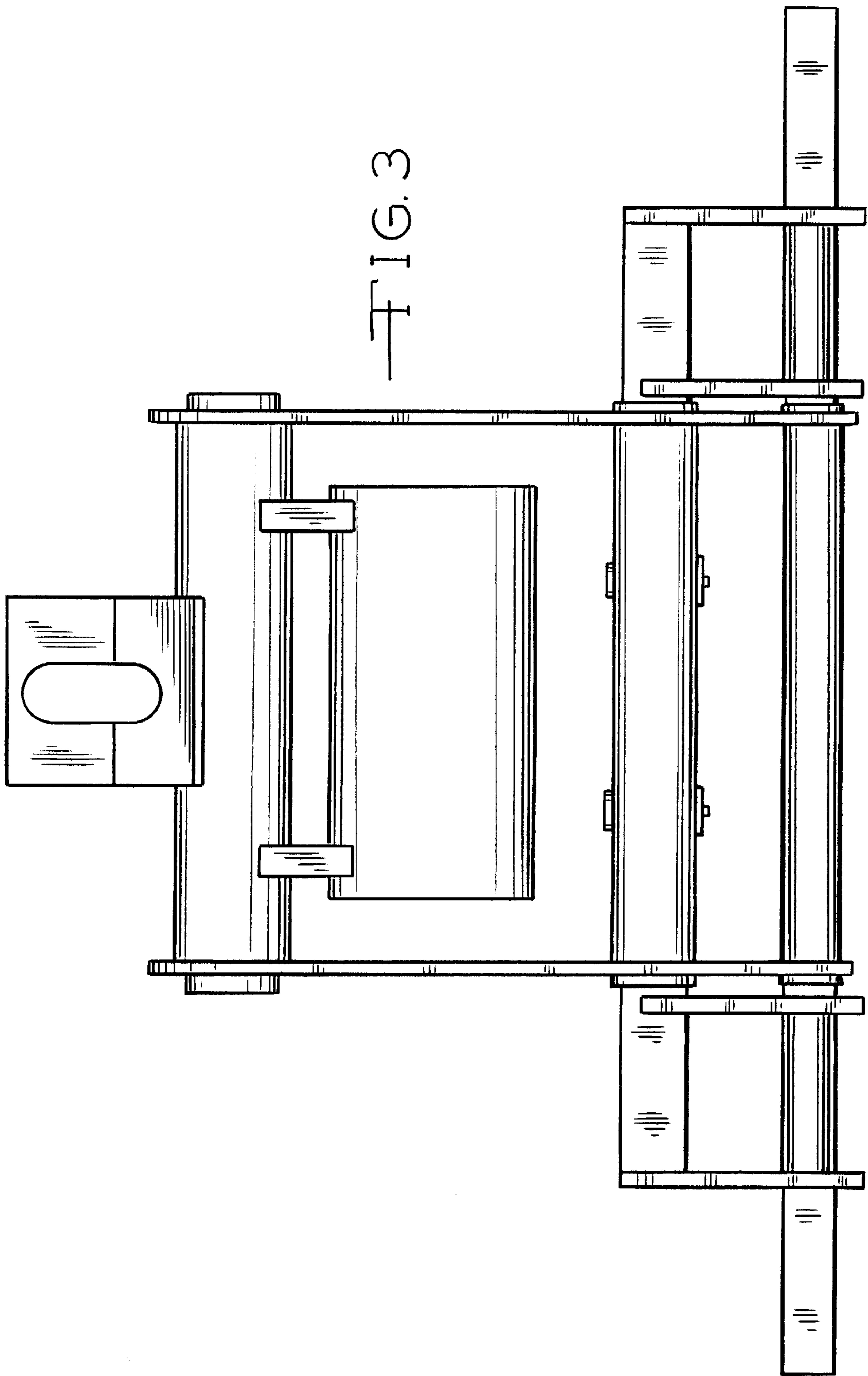


FIG. 2



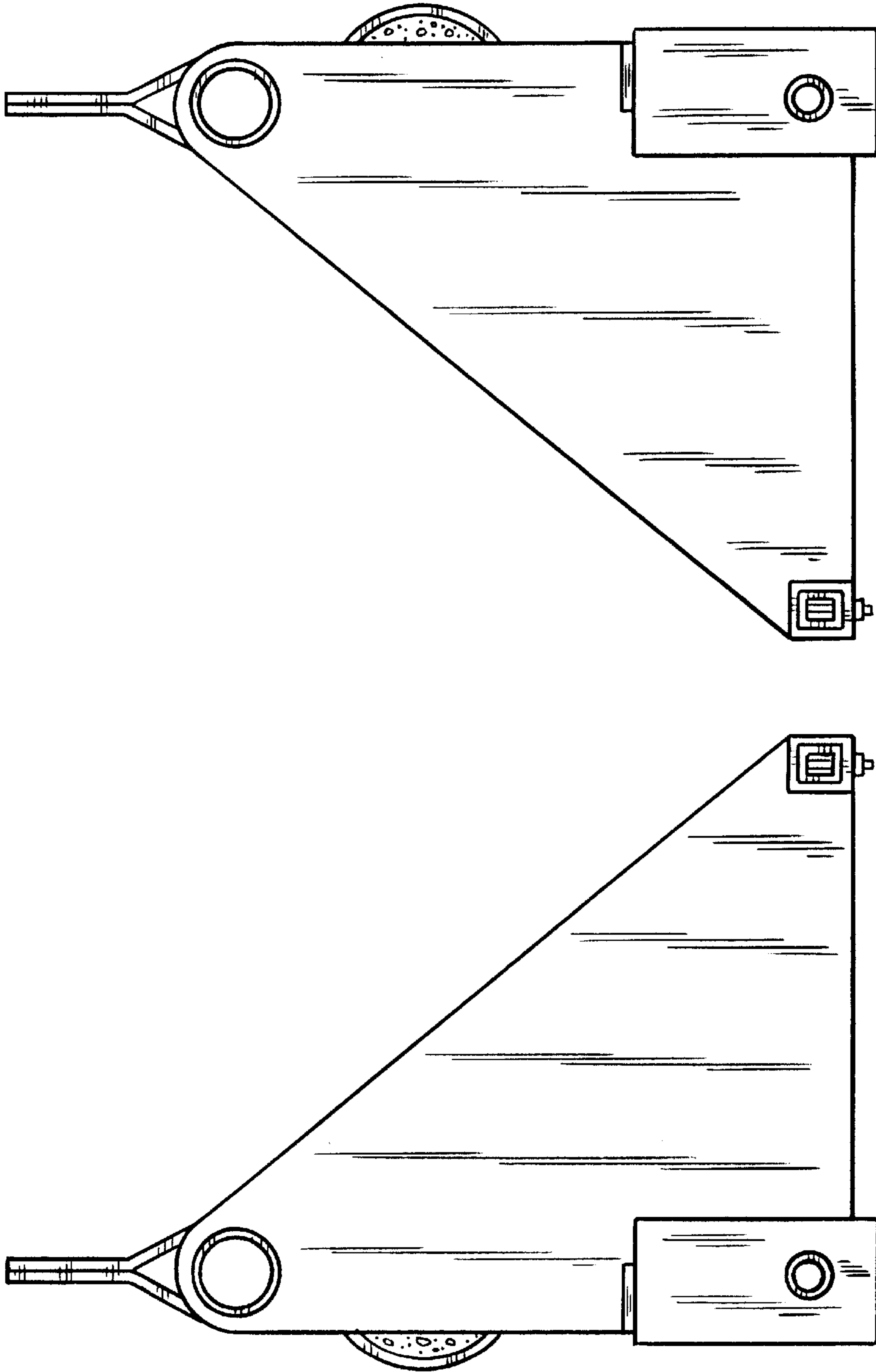


FIG. 5

FIG. 4

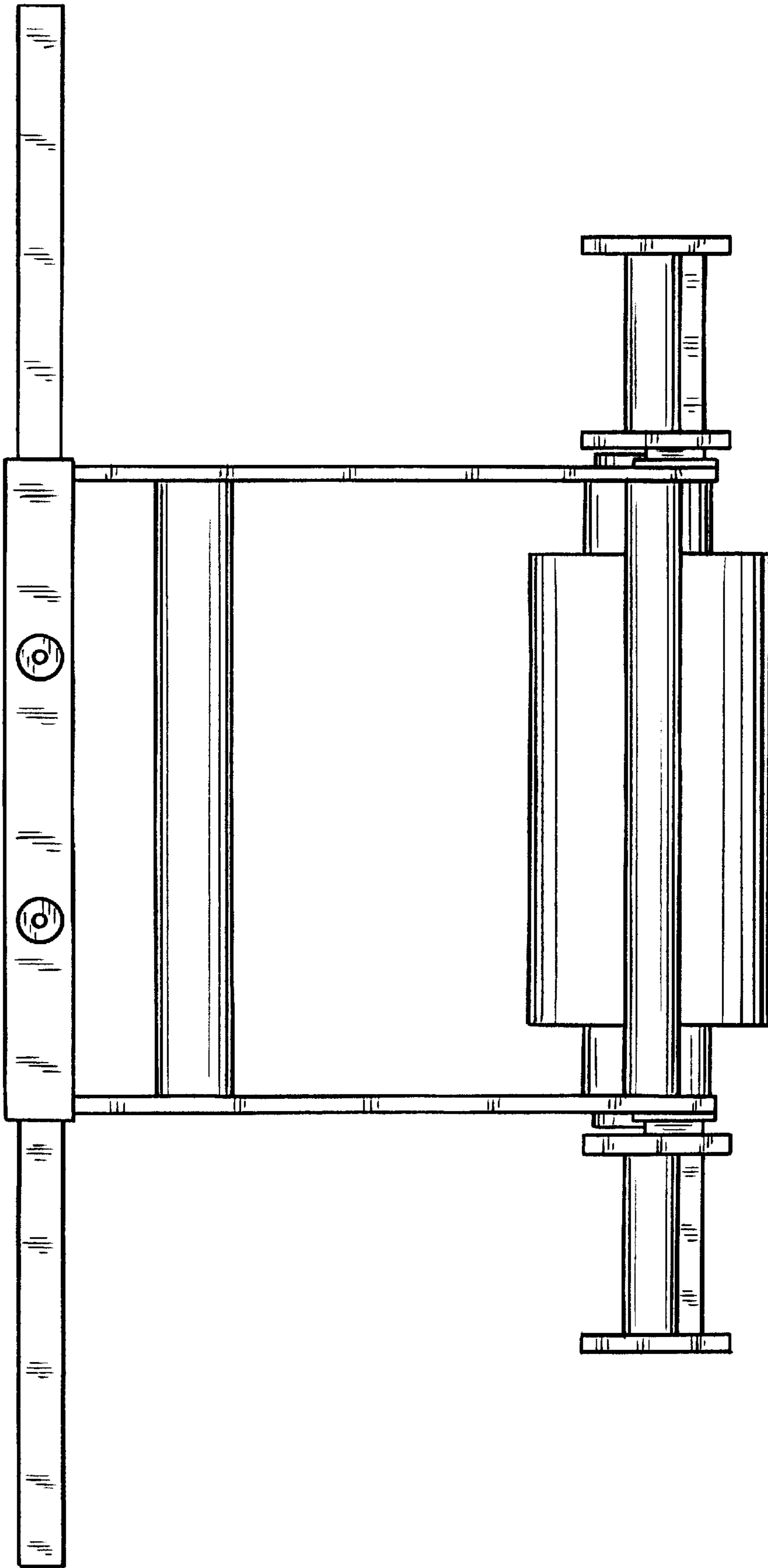


FIG. 6