



US00D417763S

United States Patent [19]
Monem

[11] **Patent Number: Des. 417,763**

[45] **Date of Patent: ** Dec. 14, 1999**

[54] **RECEPTACLE ARTICLE FOR ATTACHMENT TO A SHOPPING CART**

[75] Inventor: **David Monem**, 1780 Adolphus St.
Apartment 6, St. Paul, Minn.
55117-2308

[73] Assignee: **David Monem**, St. Paul, Minn.

[**] Term: **14 Years**

[21] Appl. No.: **29/084,753**

[22] Filed: **Mar. 10, 1998**

[51] **LOC (6) Cl.** **12-02**

[52] **U.S. Cl.** **D34/27; D7/620**

[58] **Field of Search** **D34/12-27; D7/620,**
D7/619, 622; 280/33.991, 33.992; D21/234;
248/214

[56] **References Cited**

U.S. PATENT DOCUMENTS

| | | | | |
|------------|---------|--------------|-------|---------|
| D. 176,627 | 1/1956 | Nash | | D34/27 |
| D. 186,590 | 11/1959 | Frick | | D34/14 |
| D. 355,948 | 2/1995 | Wu | | D21/234 |
| D. 400,678 | 11/1998 | Clark et al. | | D34/27 |

Primary Examiner—Kay H. Chin

Attorney, Agent, or Firm—Vidas, Arrett & Steinkraus, P.A.

[57] **CLAIM**

The ornamental design for a receptacle article for attachment to a shopping cart, as shown.

DESCRIPTION

FIG. 1 is a top perspective view of a receptacle article for attachment to a shopping cart showing my new design; and, FIG. 2 is a bottom perspective view thereof.

1 Claim, 1 Drawing Sheet

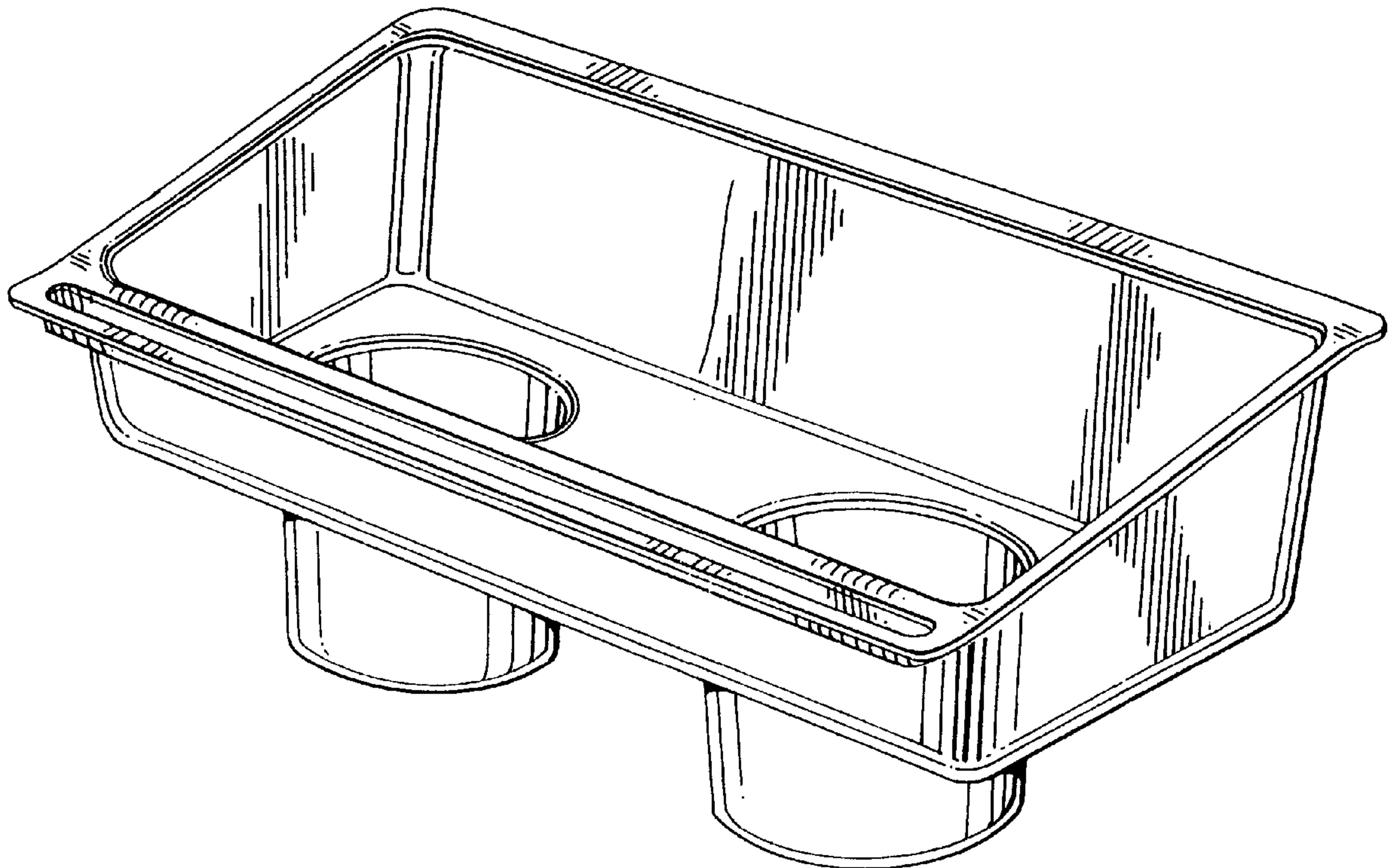


Fig. 1

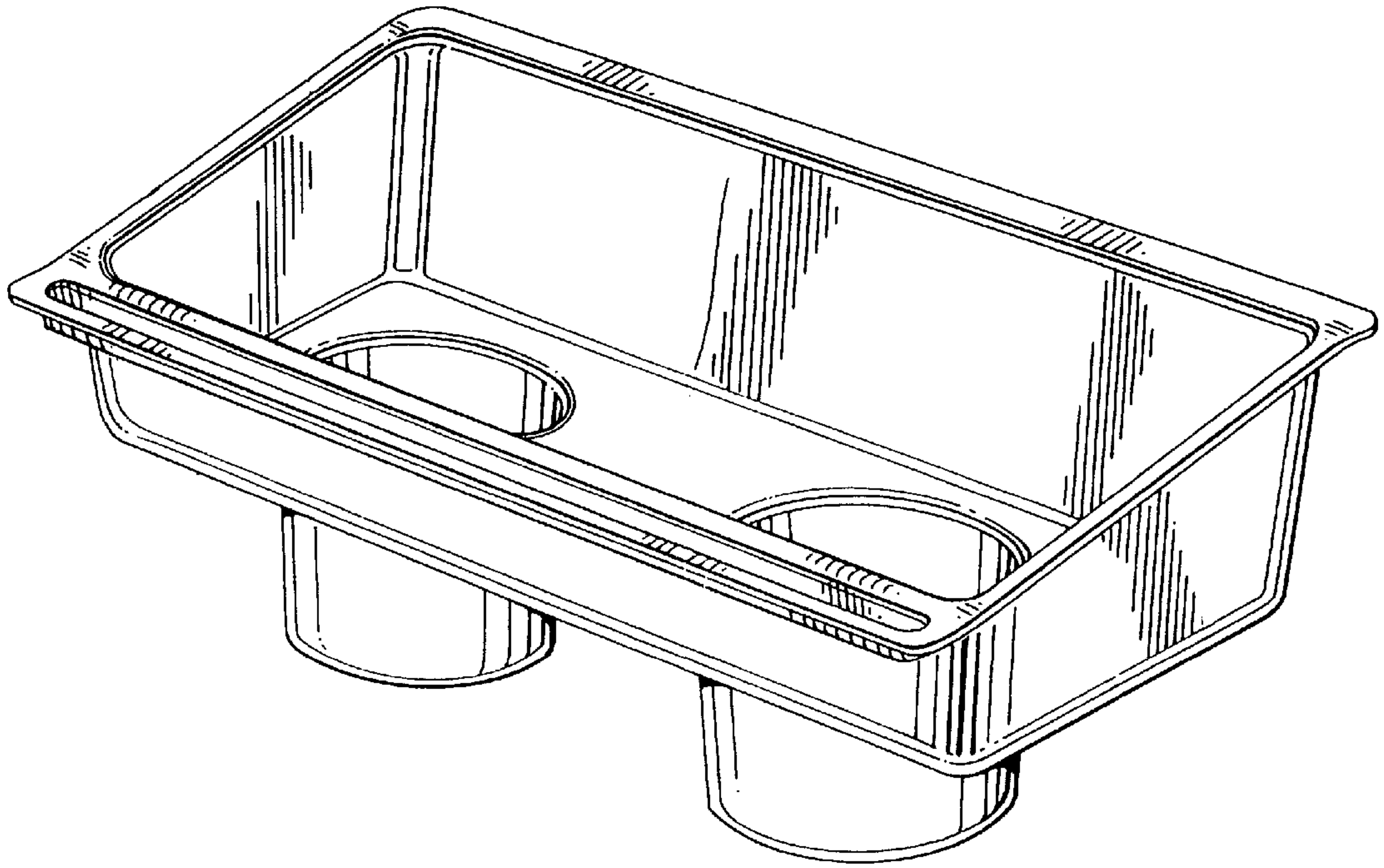


Fig. 2

