



US00D417760S

United States Patent [19] Quackenbush

[11] **Patent Number: Des. 417,760**

[45] **Date of Patent: ** Dec. 14, 1999**

[54] **LOTTERY KEY CHAIN**

[76] Inventor: **Barry Quackenbush**, 105-38 91stSt.,
Ozone Park, N.Y. 11417

[**] Term: **14 Years**

[21] Appl. No.: **29/084,235**

[22] Filed: **Feb. 27, 1998**

[51] **LOC (6) Cl. 08-05**

[52] **U.S. Cl. D32/46; D3/210**

[58] **Field of Search D3/207-212; 30/169,
30/171, 172; D32/35, 40, 46-49; 15/236.01,
236.02; D8/347, 18, 19, 33**

[56] **References Cited**

U.S. PATENT DOCUMENTS

D. 247,263	2/1978	Van Benthem	D3/210
D. 290,056	5/1987	Hatfield	D3/210
D. 310,341	9/1990	Demirjian	D3/210
D. 379,256	5/1997	Tipp	D32/46
D. 383,884	9/1997	O'Shei	D3/208

D. 386,856	11/1997	Cefalu et al.	D32/46
D. 389,624	1/1998	Drimmie et al.	D3/210
D. 389,966	1/1998	Melodia et al.	D32/46

Primary Examiner—Ralf Seifert
Attorney, Agent, or Firm—Collard & Roe, P.C.

[57] **CLAIM**

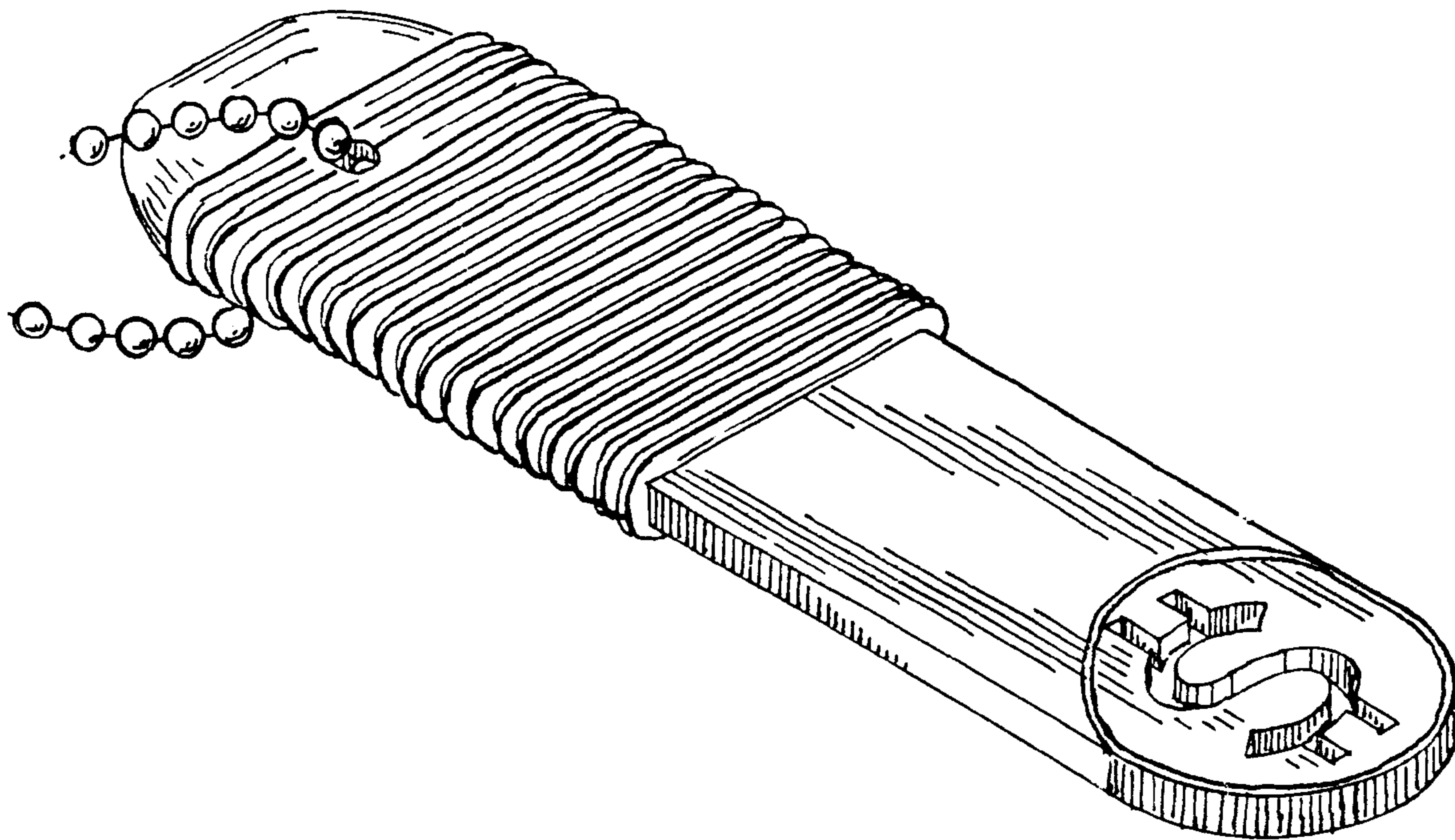
The ornamental design for a lottery key chain, as shown.

DESCRIPTION

FIG. 1 is a front elevational view of a lottery key chain, showing my new design;
FIG. 2 is a front view thereof;
FIG. 3 is a rear view thereof;
FIG. 4 is a top view thereof;
FIG. 5 is a bottom view thereof;
FIG. 6 is a side view thereof; and,
FIG. 7 is an opposite side view thereof.

It being understood that the chain continues for an indeterminate length.

1 Claim, 2 Drawing Sheets



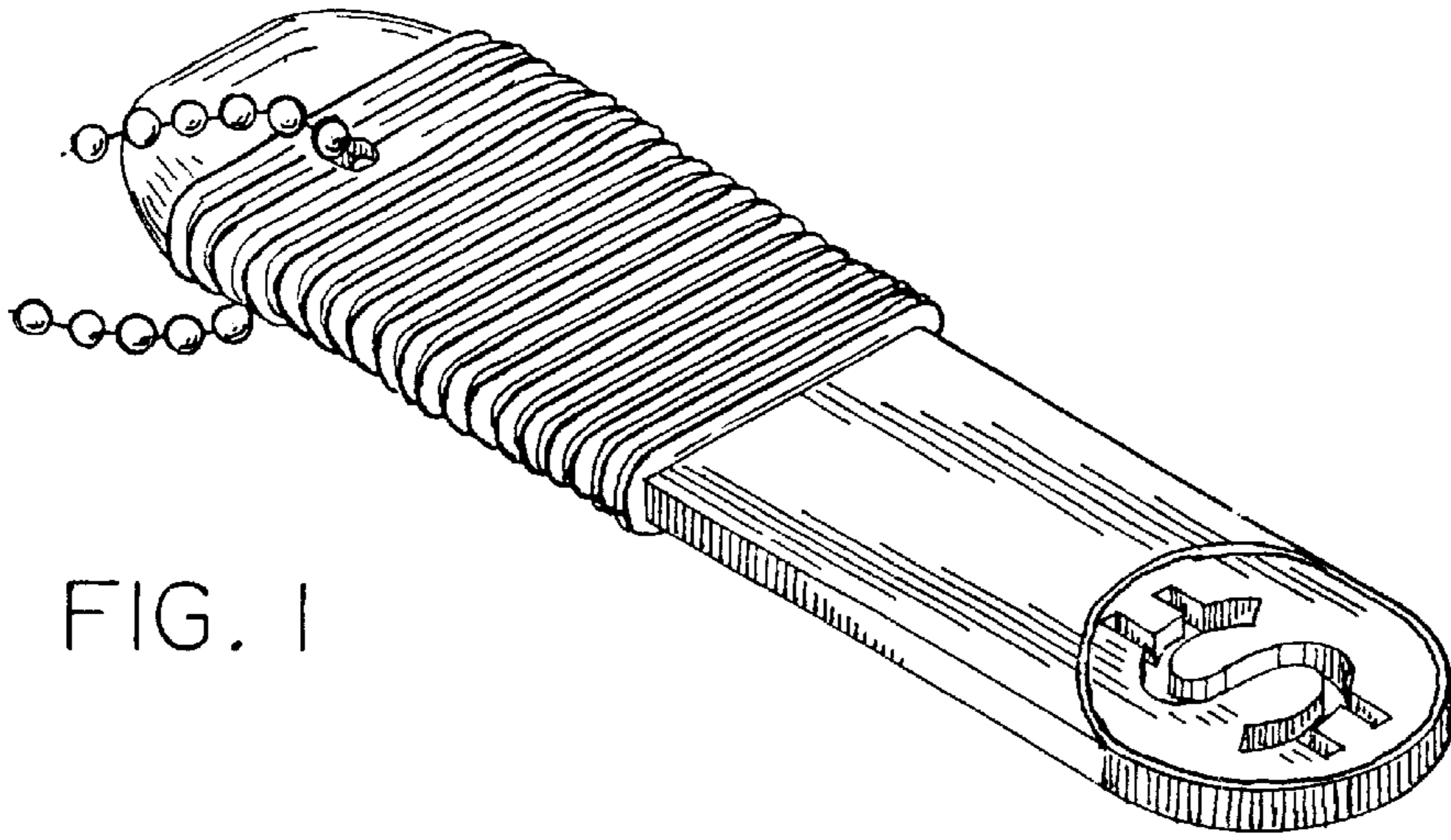


FIG. 1

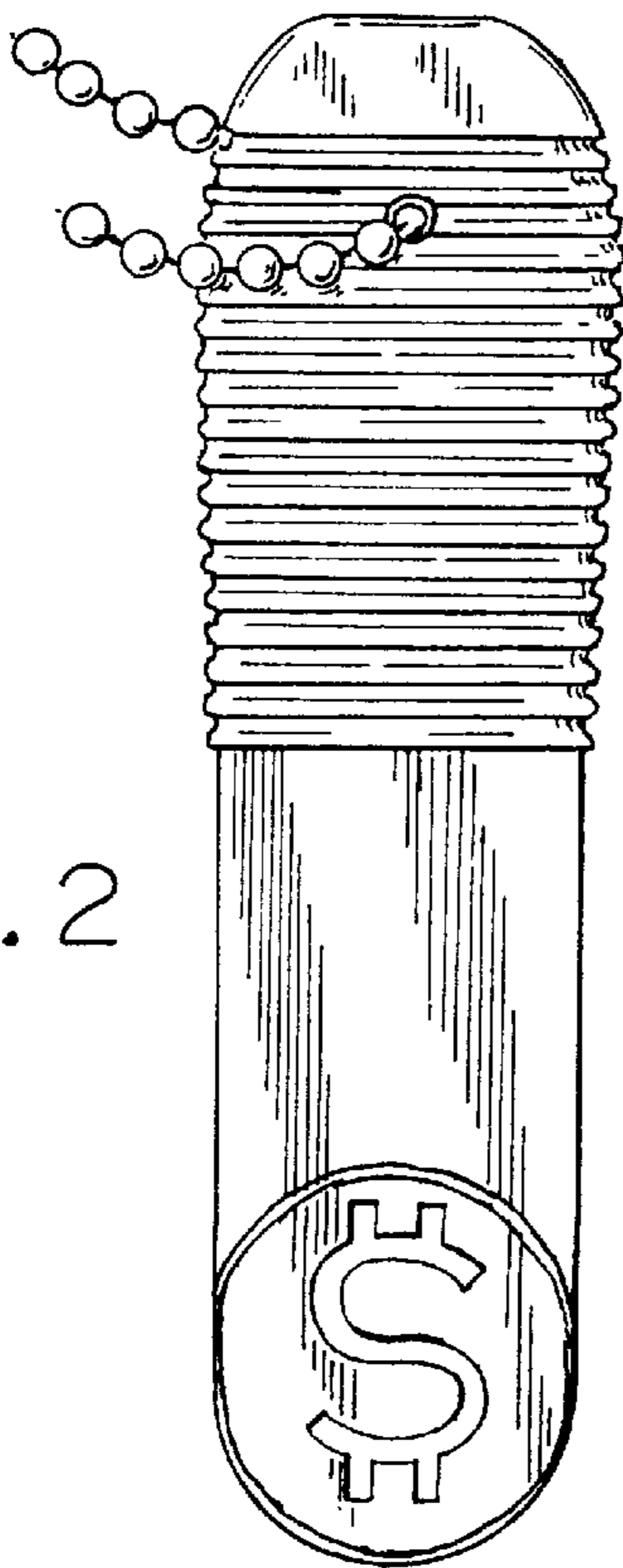


FIG. 2

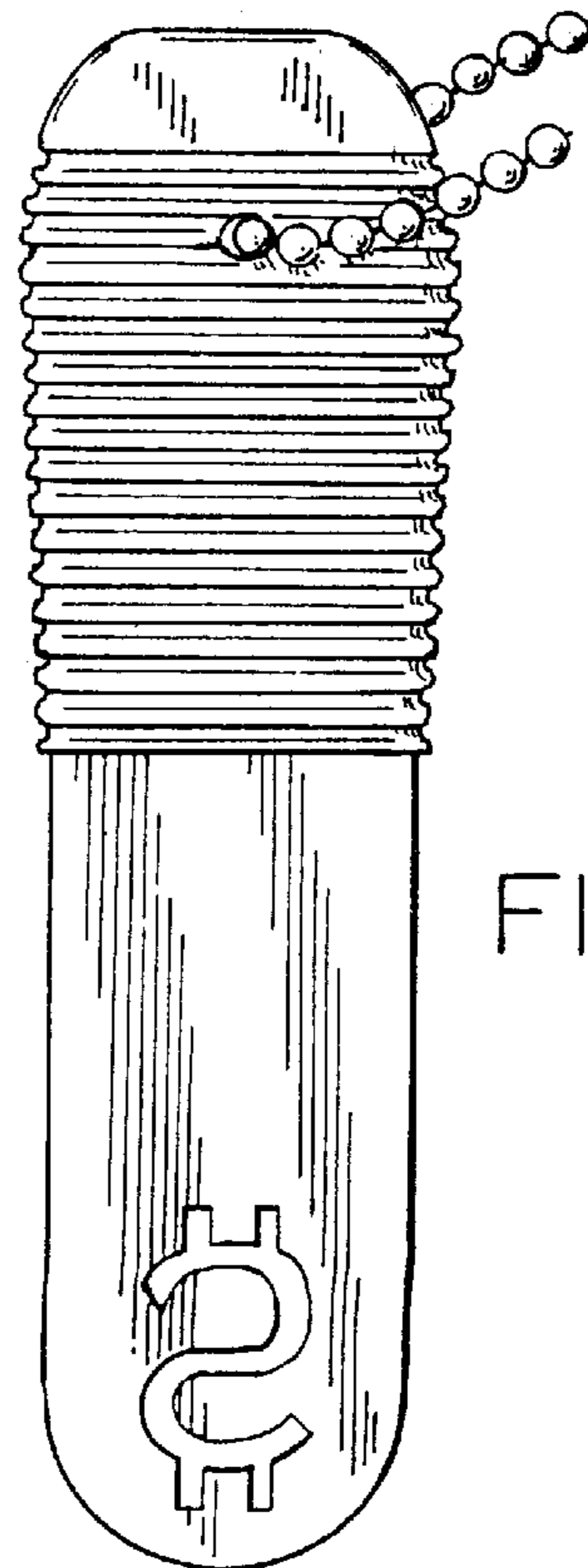


FIG. 3

FIG. 4

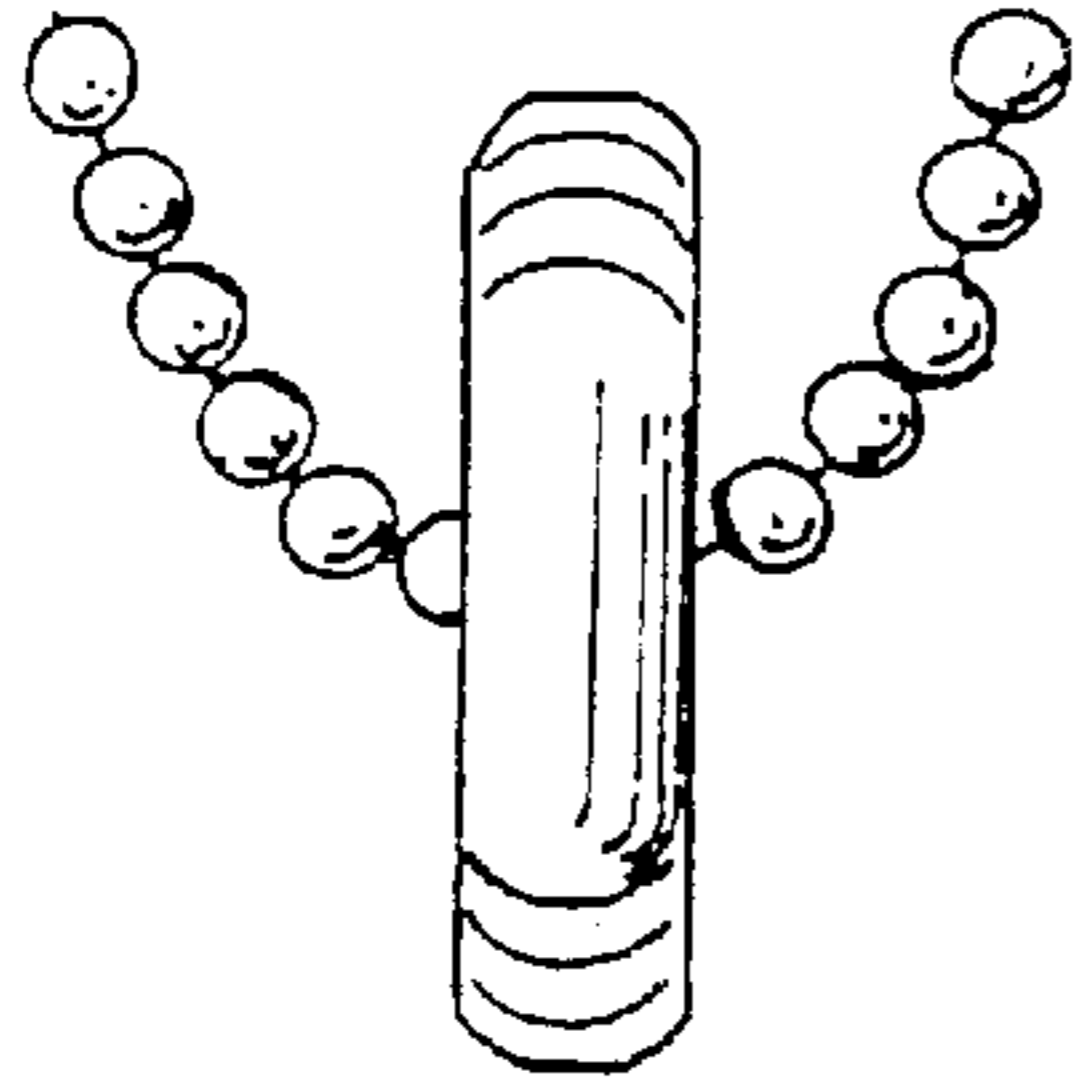


FIG. 5

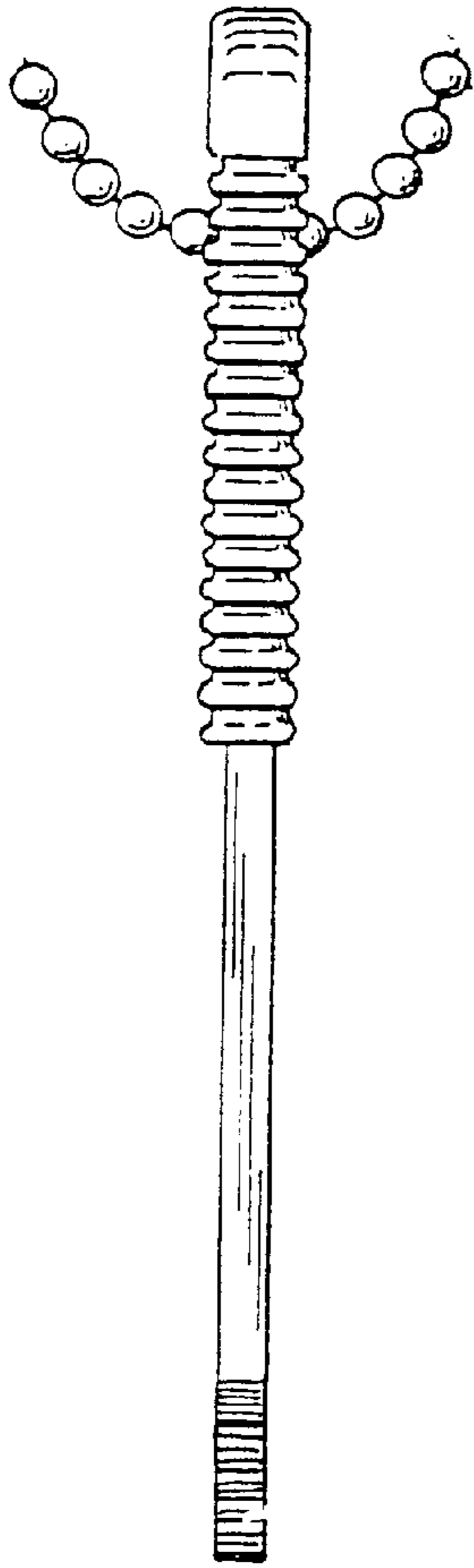
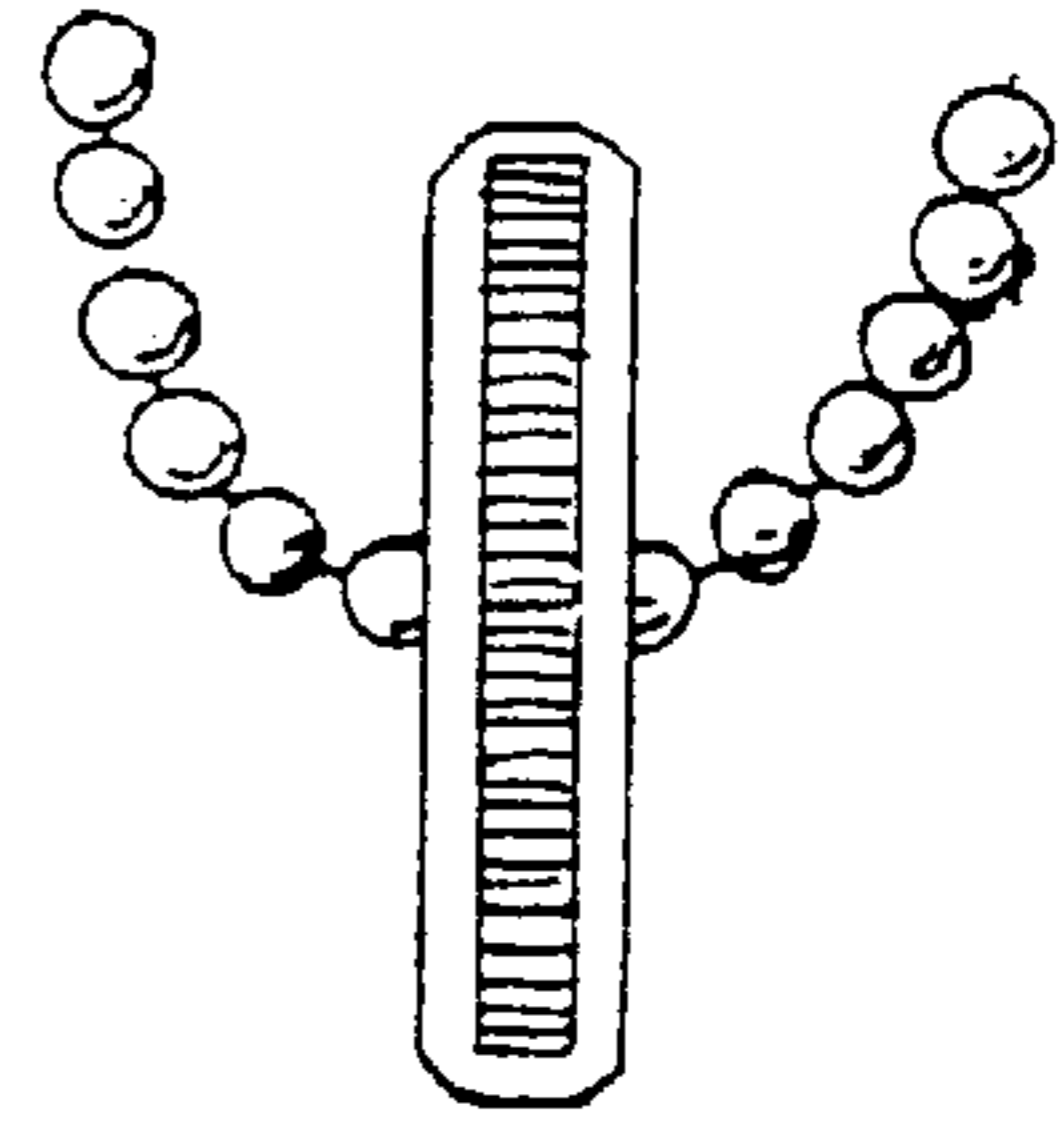


FIG. 6

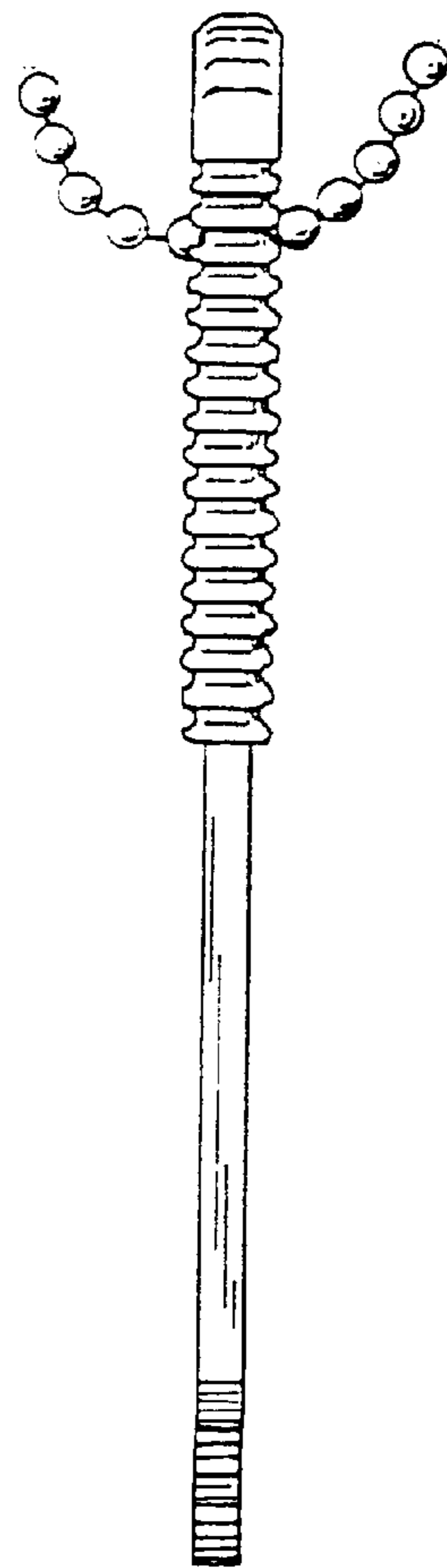


FIG. 7