



US00D417759S

United States Patent [19] Gooch

[11] **Patent Number: Des. 417,759**

[45] **Date of Patent: ** Dec. 14, 1999**

[54] **SADDLE ADAPTOR**

3,157,976 11/1964 Ellsworth 54/44.1
5,575,528 11/1996 Netz 297/219.11

[76] Inventor: **Kelvin Arthur Gooch**, 11 Gibbes Street, Chatswood, New South Wales, Australia, 2067

Primary Examiner—Louis S. Zarfes
Assistant Examiner—Catherine R. Oliver
Attorney, Agent, or Firm—Jordan and Hamburg

[**] Term: **14 Years**

[57] **CLAIM**

[21] Appl. No.: **29/086,612**

The ornamental design for a saddle adaptor, as shown and described.

[22] Filed: **Apr. 16, 1998**

DESCRIPTION

[30] **Foreign Application Priority Data**

Oct. 16, 1997 [AU] Australia 3443/97

[51] **LOC (6) Cl.** **30-04**

[52] **U.S. Cl.** **D30/134**

[58] **Field of Search** D30/134, 135,
D30/143; 54/44.6, 44.7, 66, 44.1; 297/219.11,
195.1; D6/354

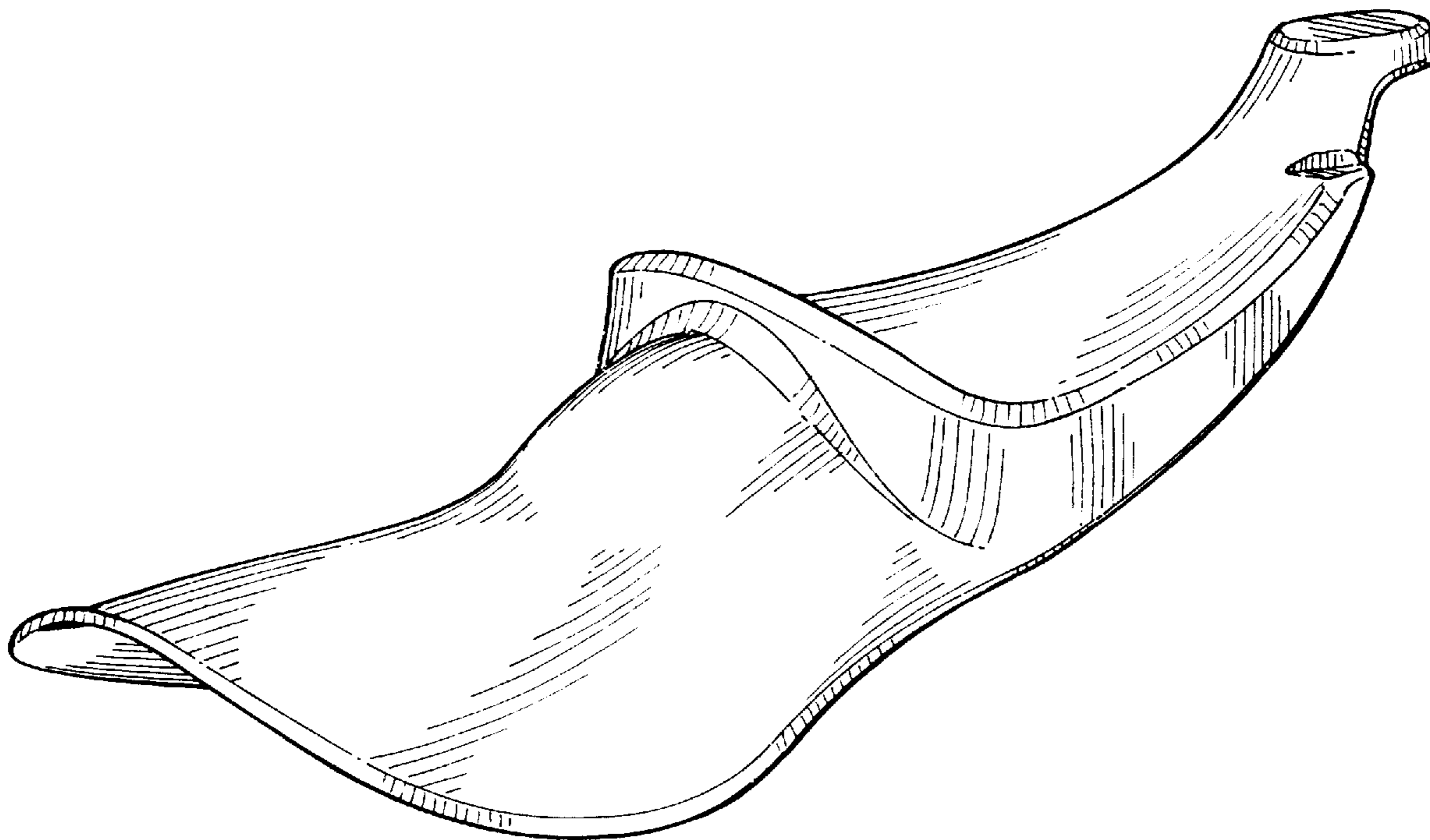
FIG. 1 is a perspective view from the rear of a first embodiment of the saddle adaptor showing my new design; FIG. 2 is a top plan view; FIG. 3 is a left side view, with the right side view being a mirror image thereof; FIG. 4 is a bottom plan view; FIG. 5 is a front view; FIG. 6 is a rear view; FIG. 7 is a perspective view from the rear of a second embodiment of the saddle adaptor; FIG. 8 is a top plan view; FIG. 9 is a left side view, with the right side view being a mirror image thereof; FIG. 10 is a bottom plan view; FIG. 11 is a front view; and, FIG. 12 is a rear view.

[56] **References Cited**

U.S. PATENT DOCUMENTS

- D. 156,038 11/1949 Ruppert D30/135
- D. 216,022 11/1969 Queen D30/135
- D. 228,770 10/1973 Adeney D30/135
- D. 319,151 8/1991 Graettinger et al. D6/354
- D. 329,308 9/1992 Millikin D30/134
- D. 375,425 11/1996 Gale D6/354
- 2,613,722 10/1952 Ruppert 297/219.11 X

1 Claim, 6 Drawing Sheets



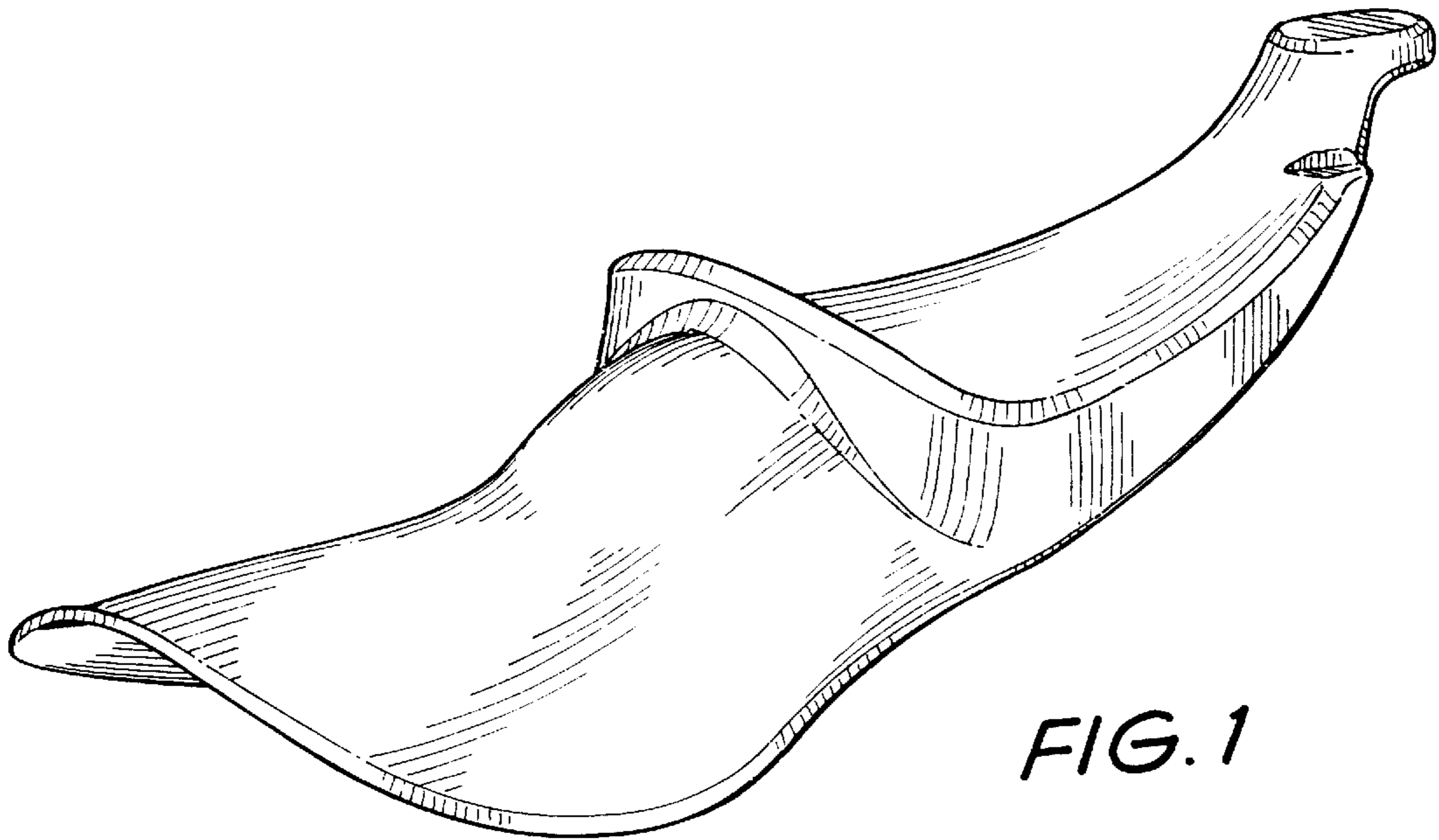


FIG. 1

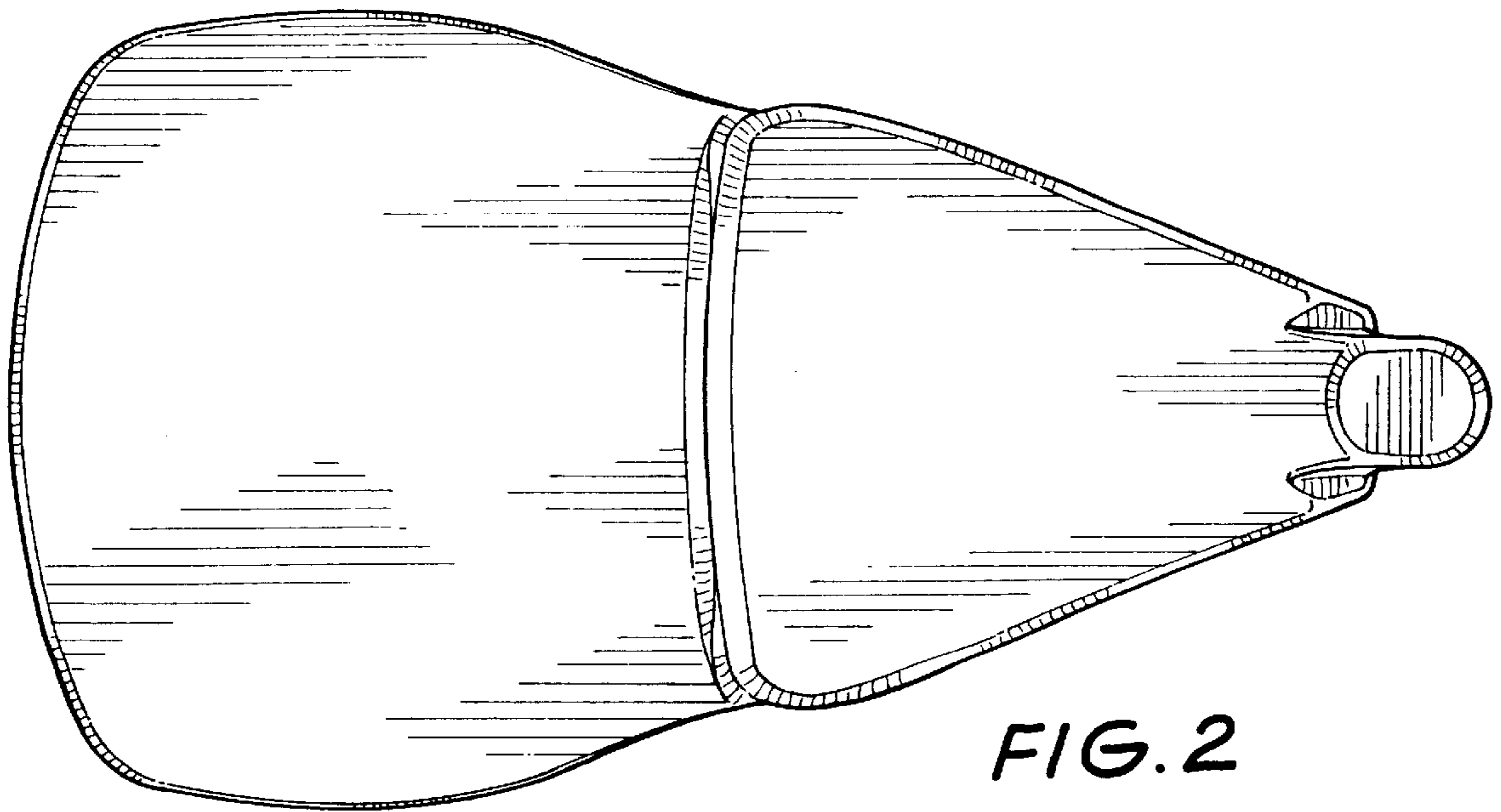


FIG. 2

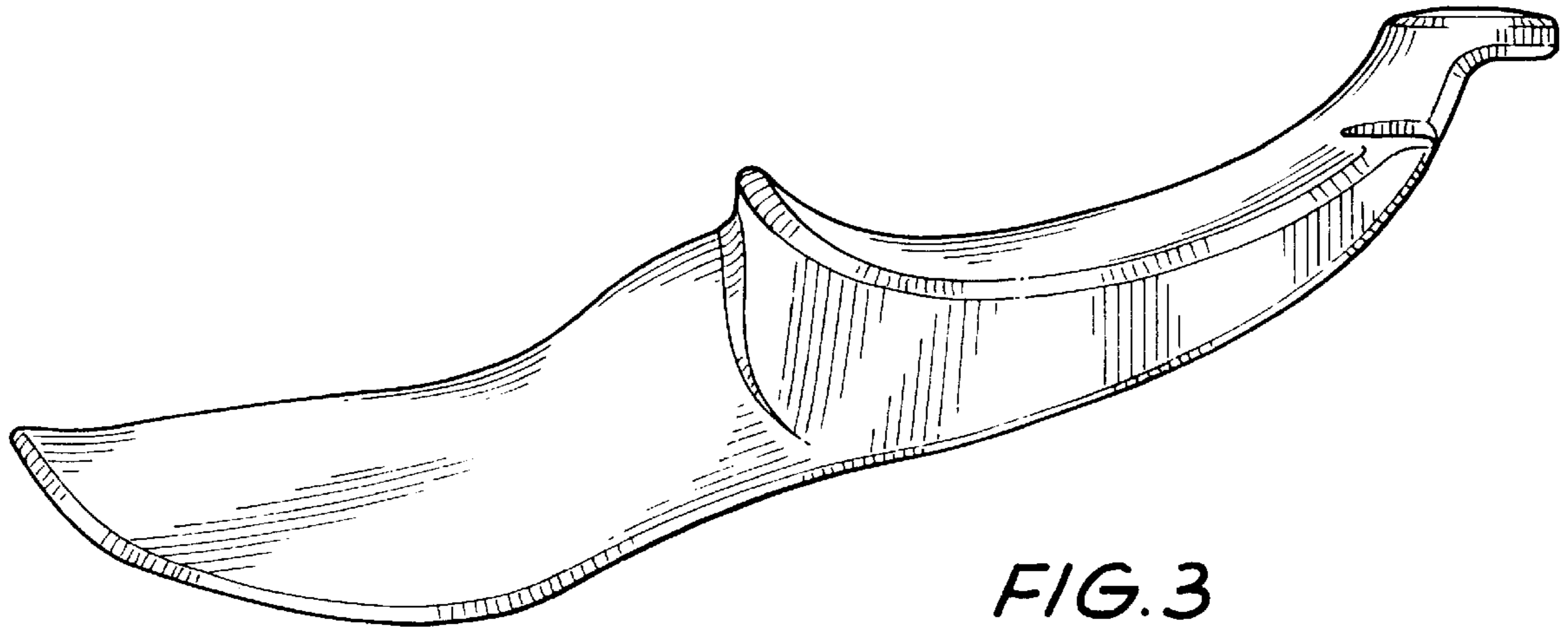


FIG. 3

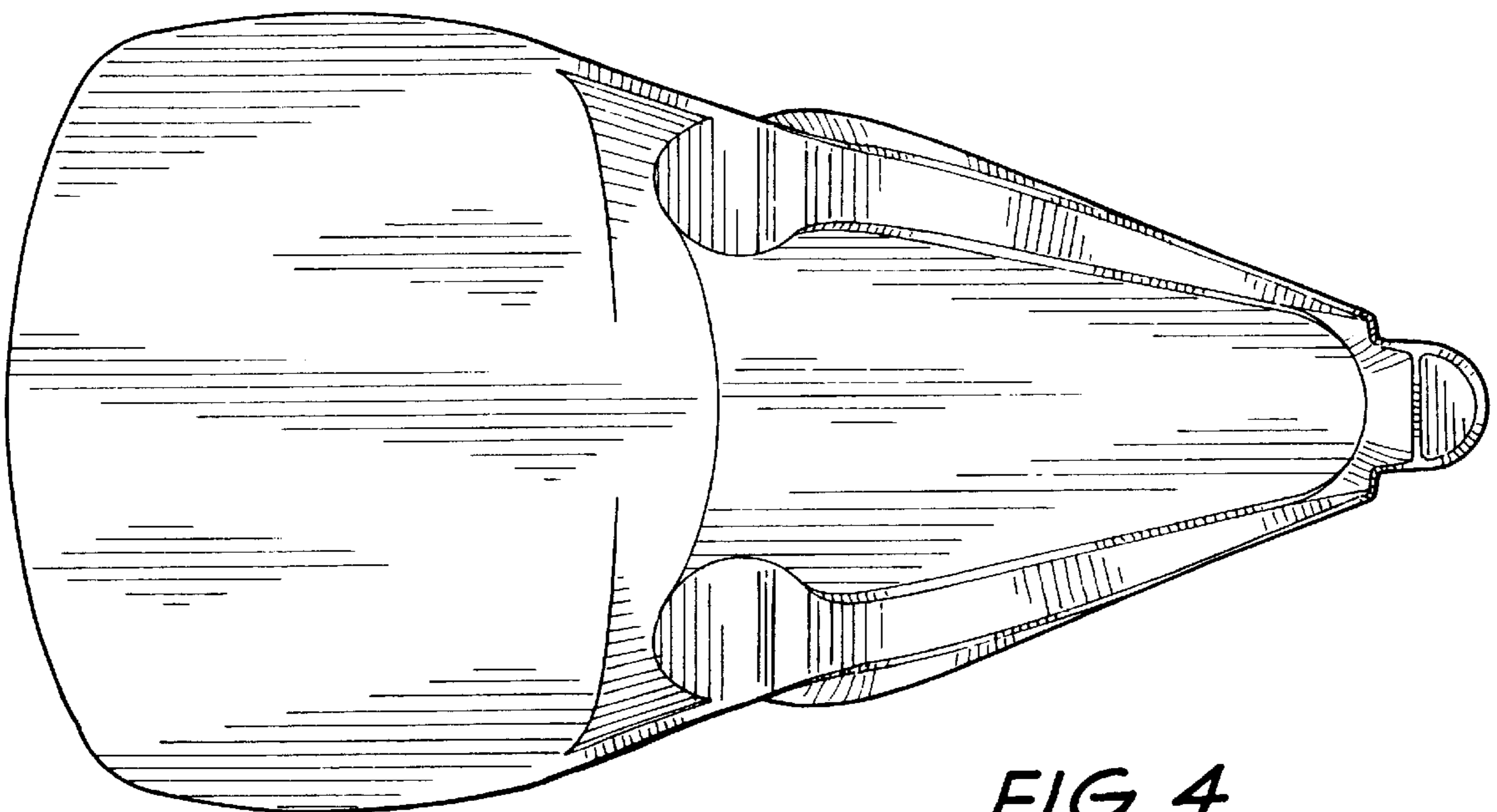


FIG. 4

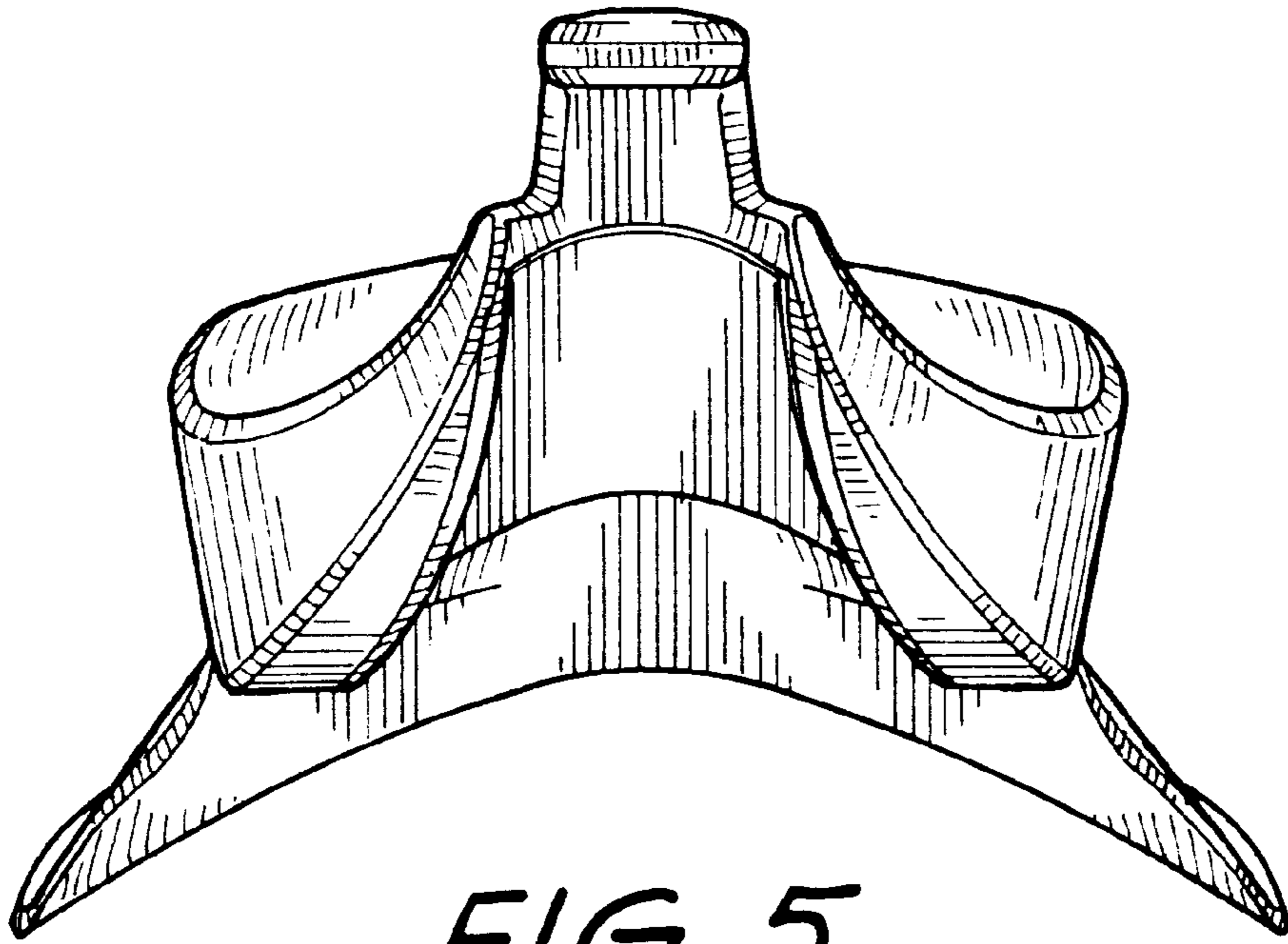


FIG. 5

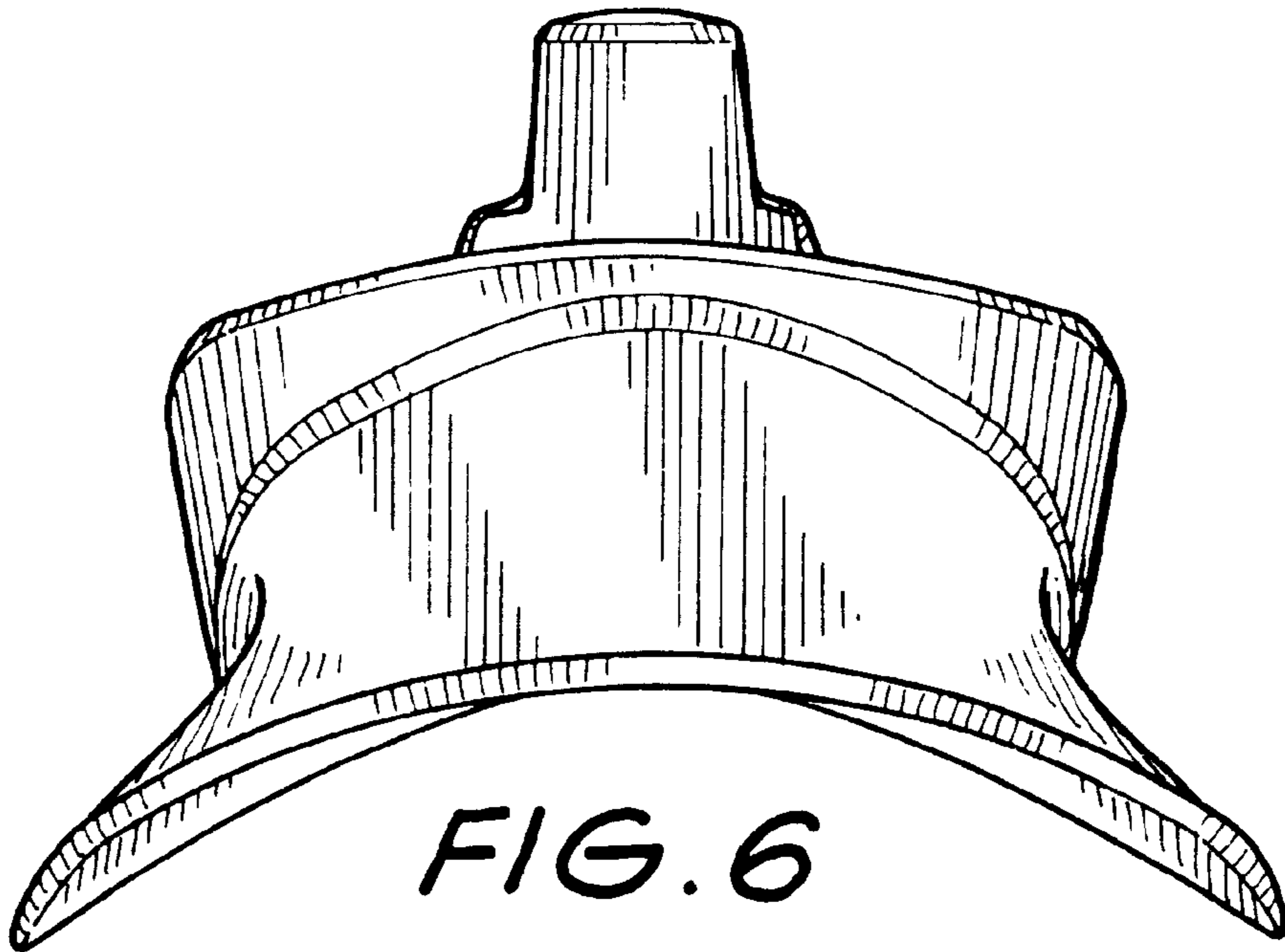


FIG. 6

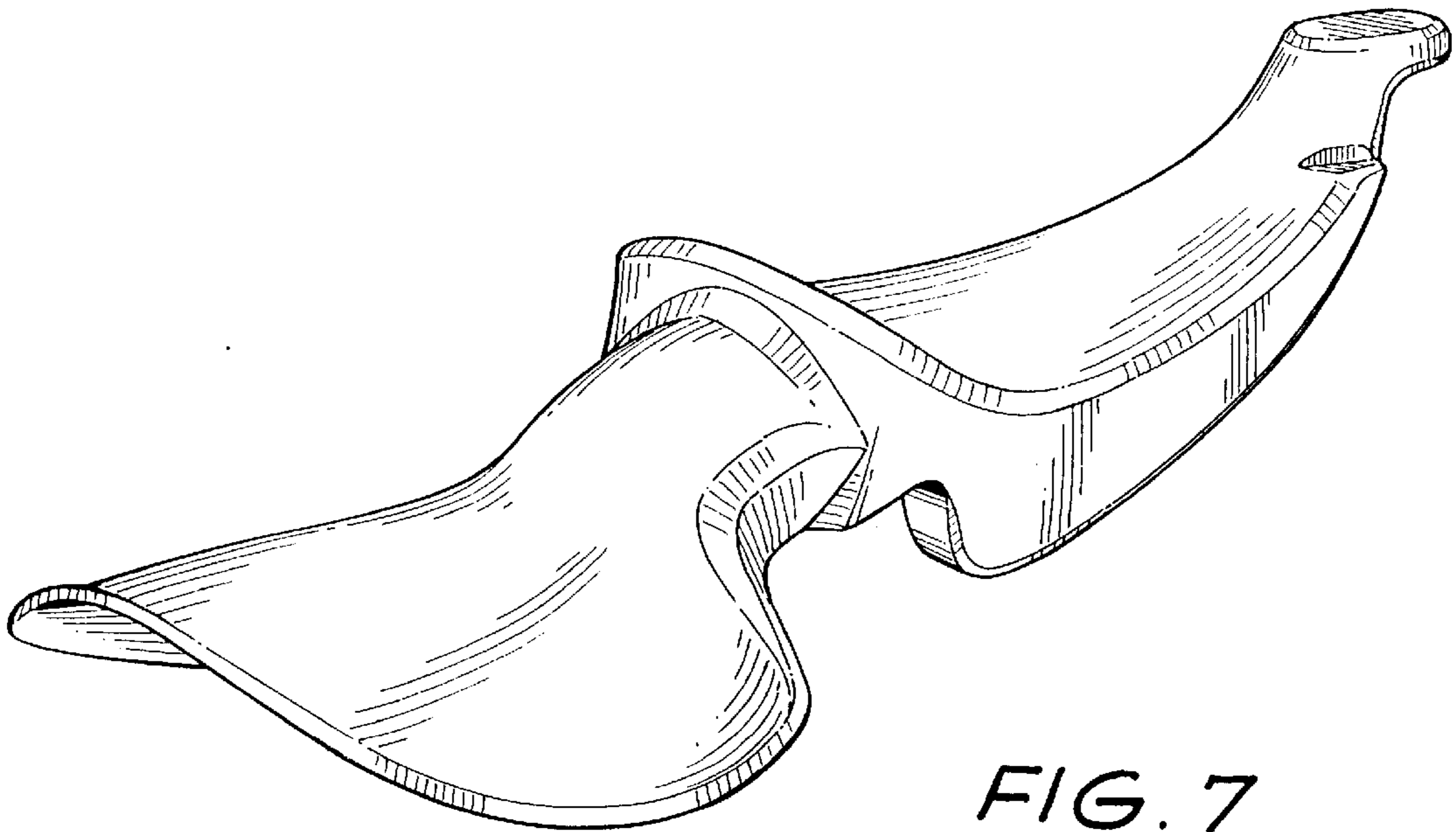


FIG. 7

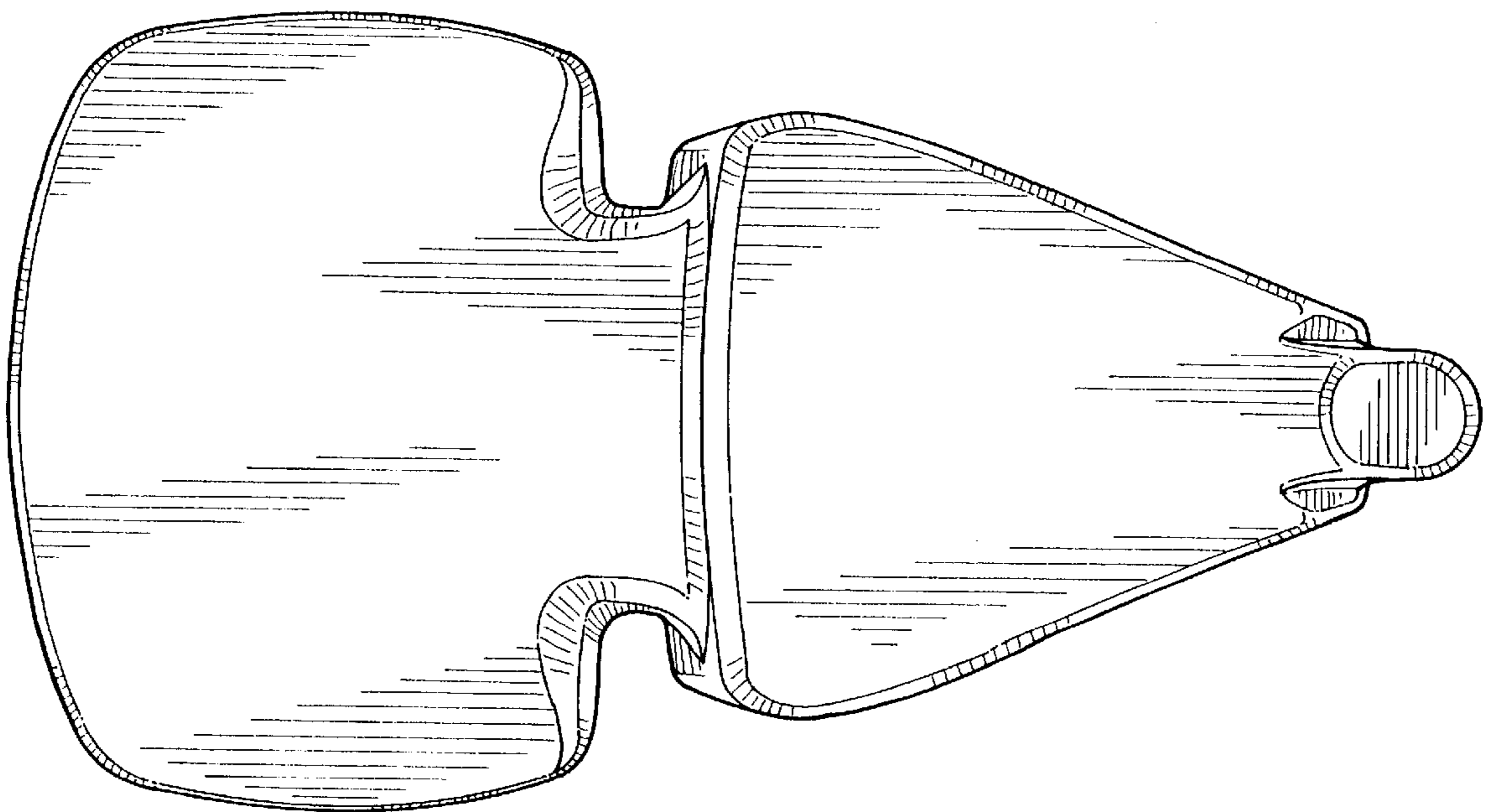


FIG. 8

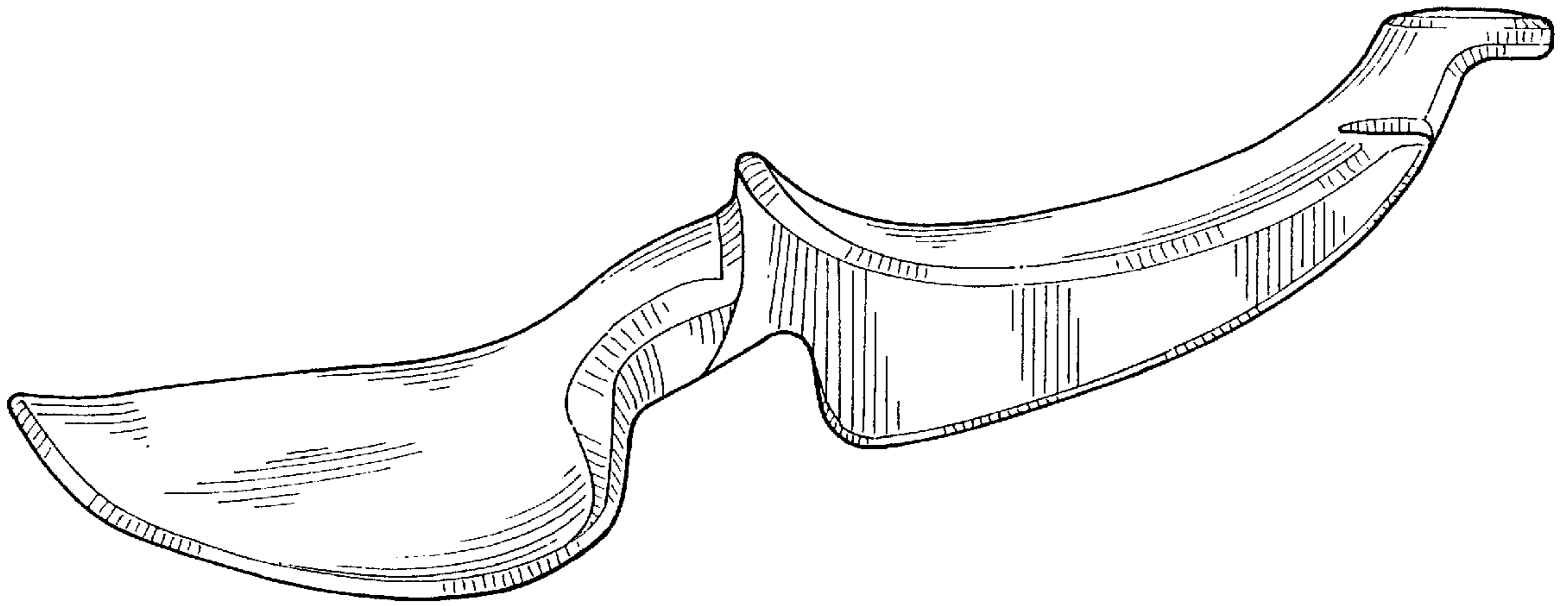


FIG. 9

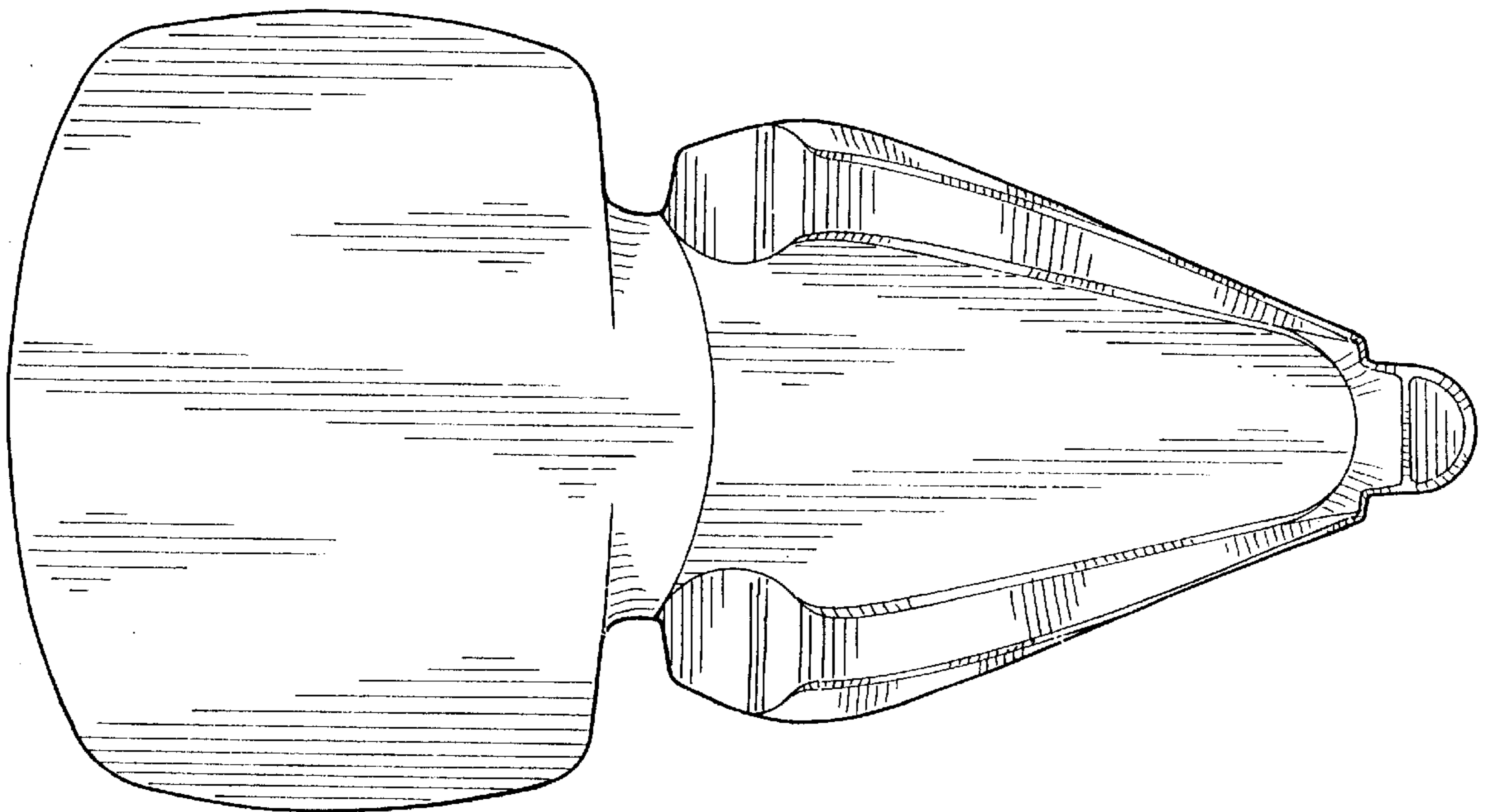


FIG. 10

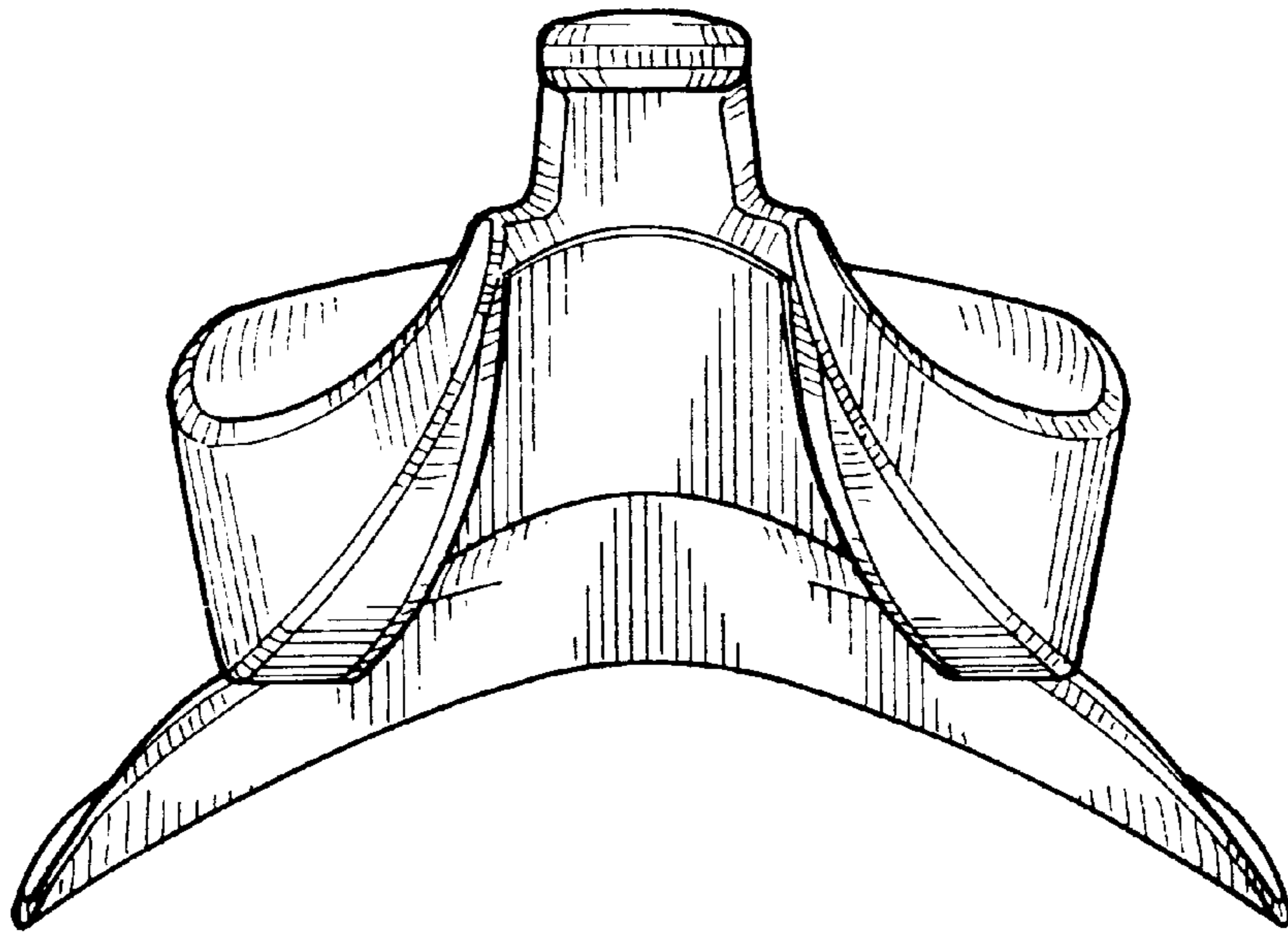


FIG. 11

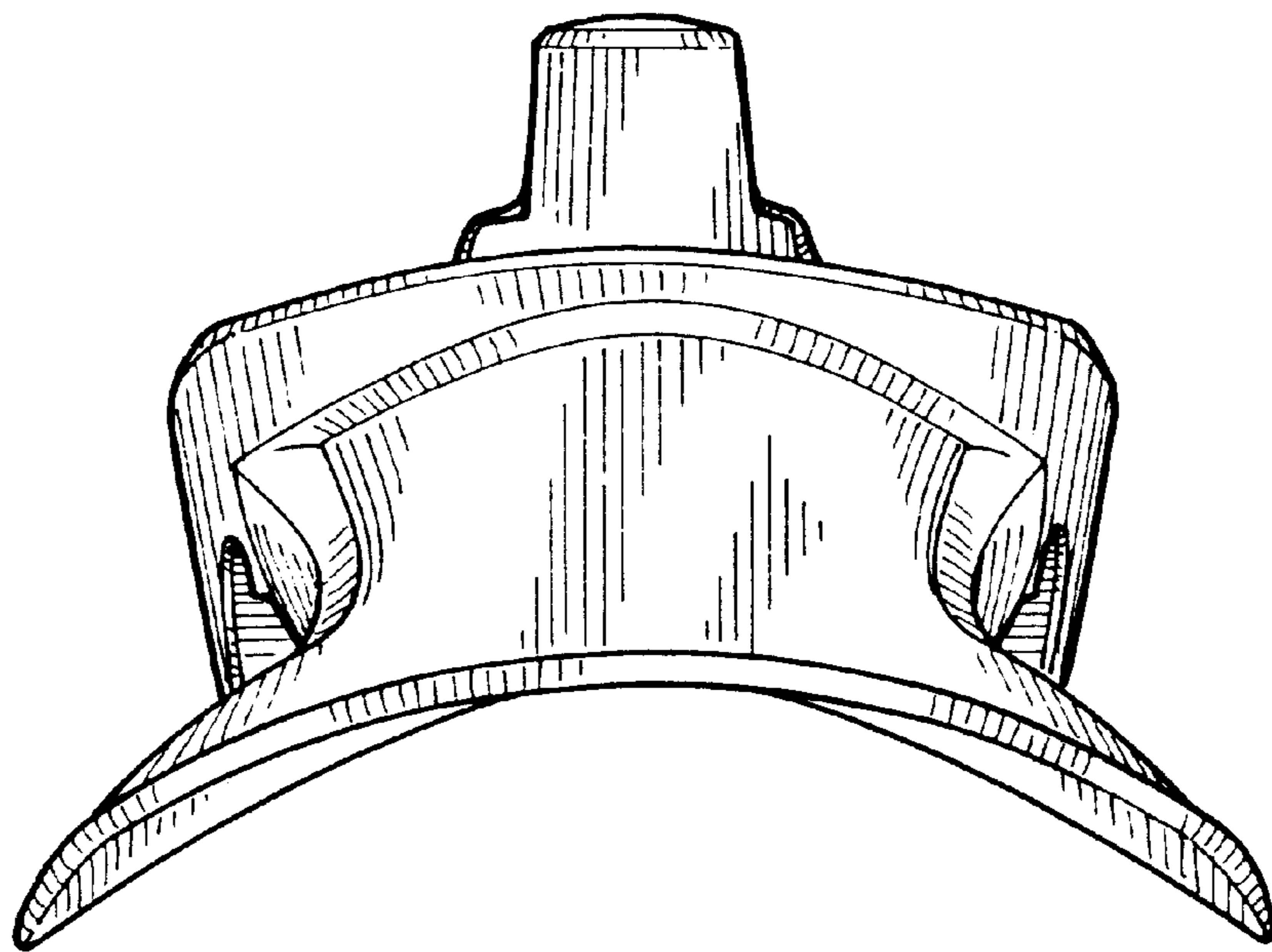


FIG. 12